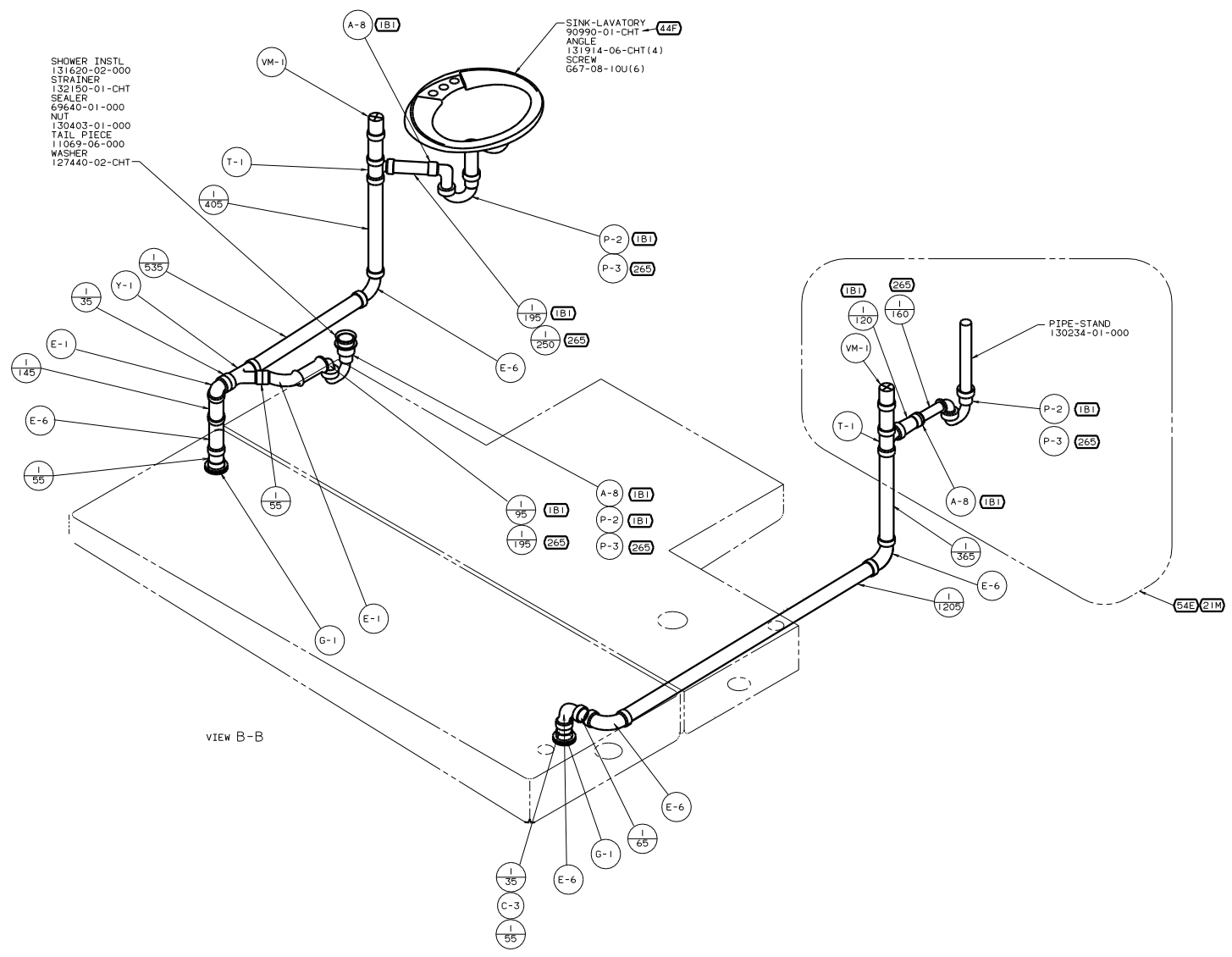
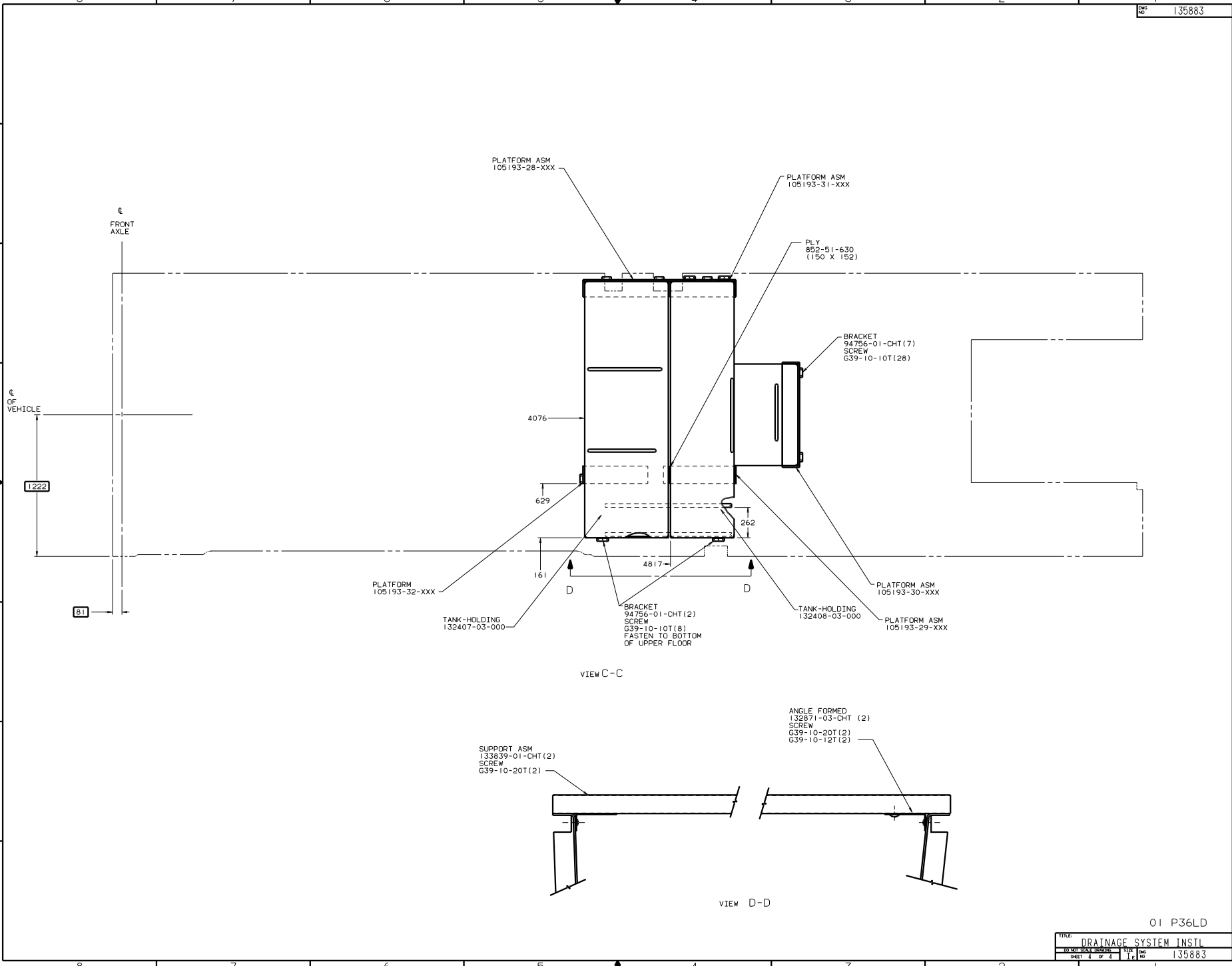


VIEW A-A



01 P36LD

TITLE: DRAINAGE SYSTEM INSTL	
30 THE SCALE LISTING	FIG. NO. 1/E
SHEET 3 OF 4	135883

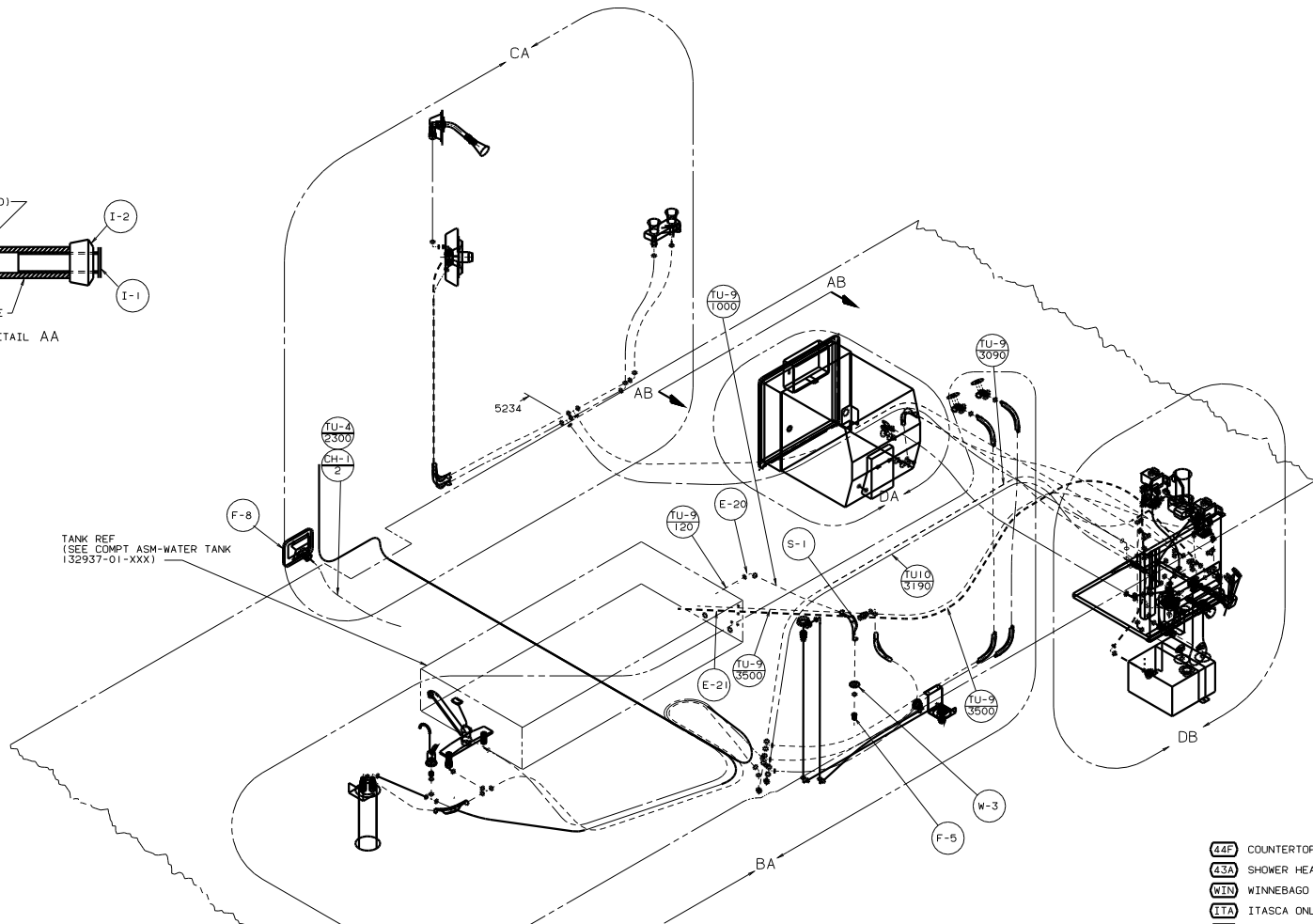
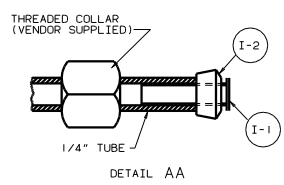


01 P36LD

TITLE: DRAINAGE SYSTEM INSUL	
NO. OF SHEETS: 4	DRG. NO. 135883
SHEET 4 OF 4	1.E

DWG NO	---
135882-01	(LTA)
135882-02	(WIN)

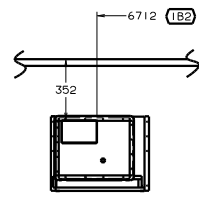
RELEASE DATE 11/13/92 135882  
 REVISION RECORD DATE BY 135882



TANK REF  
 (SEE COMPT ASH-WATER TANK  
 132937-01-XXX)

- (44F) COUNTERTOP-SOL. SURFACE-BATH
- (43A) SHOWER HEAD-FIXED
- (WIN) WINNEBAGO ONLY
- (LTA) ITASCA ONLY
- (21M) WASHER/DRYER PREP
- (79W) 4 DOOR REFRIGERATOR W/ICEMAKER
- (54E) WASHER/DRYER
- (53O) WINTERIZING KIT
- (64R) EXTERIOR WASH STATION
- (53V) WATER HEATER BY-PASS-VALVE
- (1B2) WTR HTR-10GAL/ELEC/LP/MTR/AID
- (29B) WATER PURIFIER
- (18U) REFRIGERATOR/FRZR W/ICEMAKER

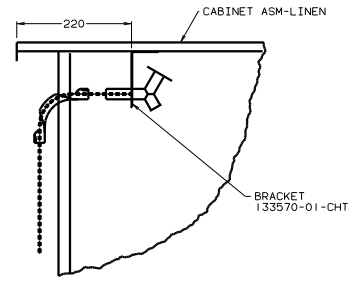
- (10) APPLY DECAL INSIDE OF UPPER SHOWER HEAD HOLDER TO RETAIN SHOWER HEAD UNIT INSIDE OF HOLDER.
  - (9) WRAP WITH TEFLON TAPE 10405-03-000 TO FITTINGS.
  - (8) WRAP WITH TEFLON TAPE 10405-02-000 TO FITTINGS.
  - (7) WRAP WITH TEFLON TAPE 10405-01-000 MINIMUM THREE WRAPS.
  - (6) FLUSHING SYSTEM REQUIRES 125697-06-000 INSTRUCTION SHEET.
  - (5) CLAMPS MUST BE ON BARBS.
  - (4) USE DETAIL "AA" IN THIS AREA.
3. ALL TUBING TO BE SECURED AT 1200 INTERVALS MAXIMUM WITH CLAMP 10495-01-000 OR CLIP 9151-01-000 AND SCREW G67-10-128.
2. TUBING TO BE INSTALLED WITH SUFFICIENT SLOPE TO PROVIDE DRAINAGE TO NEAREST VALVE.
1. PLASTIC FITTINGS TO BE SEALED WITH SEALANT 84456-01-000.



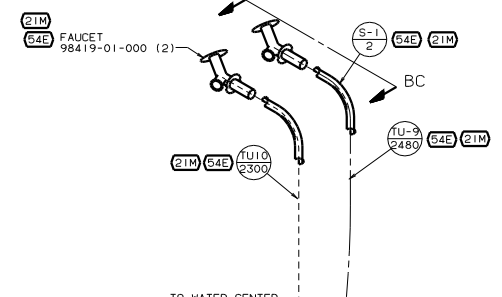
LEGEND	
HOT	——— ——— ———
COLD	————— ———

(X-X)  
 FOR WATER CALLOUTS SEE DWG NO. 116230-01-000

WINNEBAGO		O1 P36LD	
		DATE	
DATE	DATE	UNDESIGNED TOLERANCES ARE:	MINIMUM
DATE	DATE	FRONT SHEET (1/2")	1/2"
DATE	DATE	FRONT SHEET (1/4")	1/4"
DATE	DATE	FRONT SHEET (1/8")	1/8"
DATE	DATE	FRONT SHEET (3/16")	3/16"
DATE	DATE	FRONT SHEET (1/2")	1/2"
DATE	DATE	FRONT SHEET (1")	1"
LAYOUT		TITLE	
P36LD		WATER SYSTEM INSTL	
DATE		DATE	
SCALE		SCALE	
SHEET 1 OF 6		SHEET 1 OF 6	
135882		135882	



VIEW BC-BC



TO WATER CENTER

CHECK VALVE 125697-03-000

⚠ BREAKER-VACUUM 125697-04-000 (MUST BE MOUNTED ABOVE TOILET FLOOD LEVEL)

FAUCET-GALLEY, SGL CONTROL 123744-03-CHT  
SPACER-FAUCET 137079-01-CHT

FAUCET 103635-01-000

FILTER 87200-01-000  
CARTRIDGE 87200-02-000  
SCREW 667-10-12U(2)

BRACKET-SUPPORT 132765-01-CHT

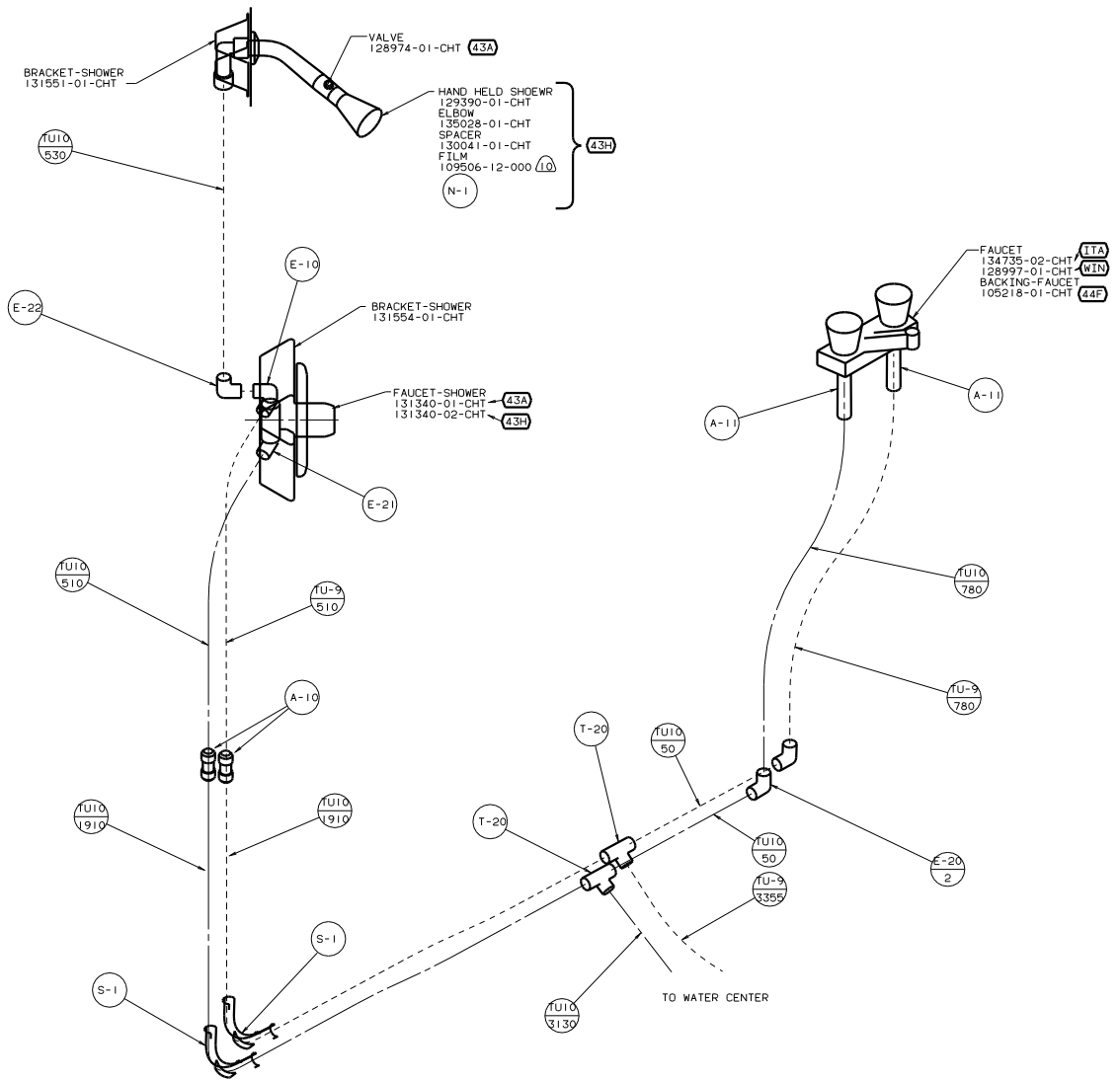
INLET-WATER 125697-05-000

DETAIL BA

DETAIL BB

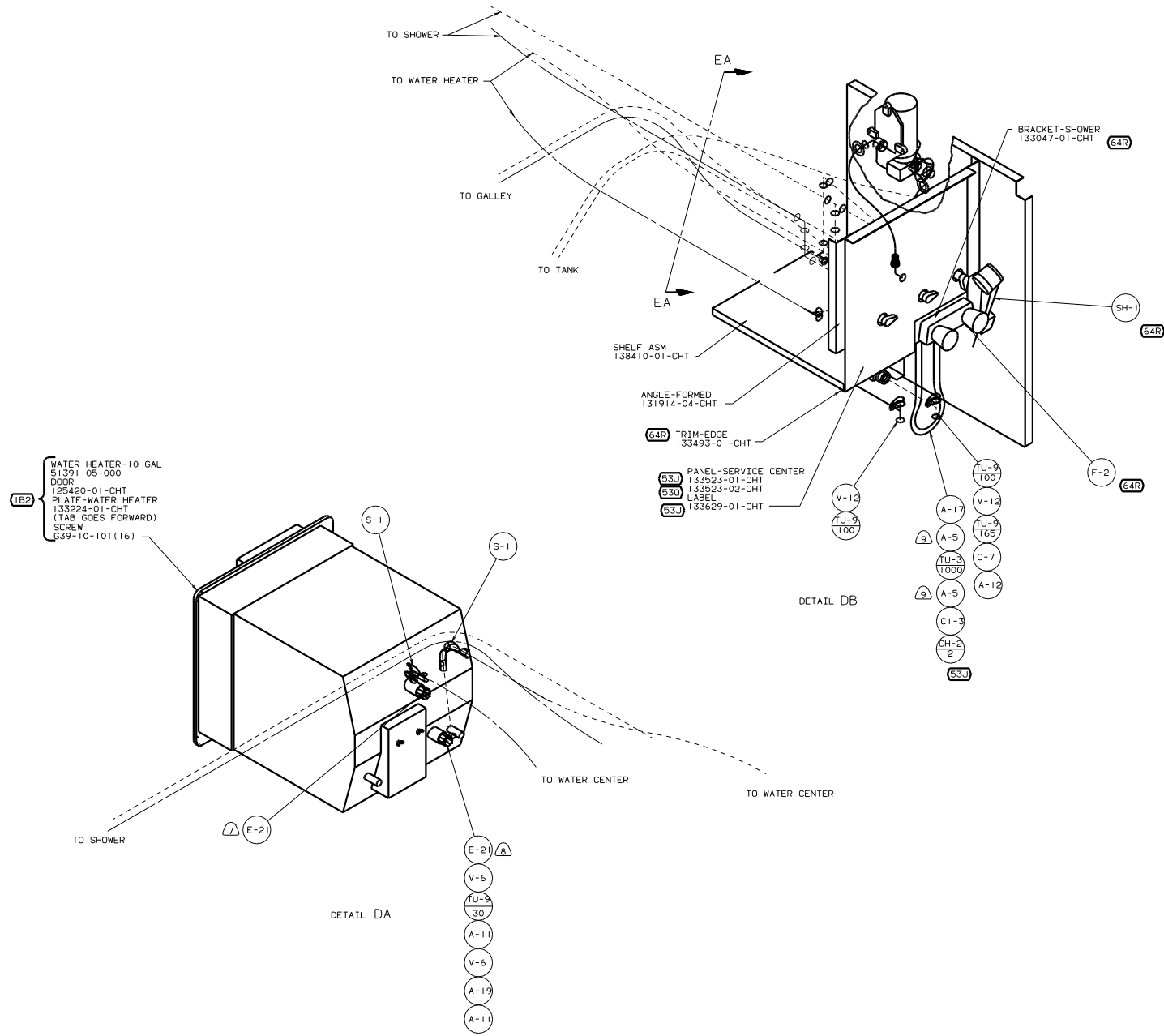
01 P36LD

TITLE		WATER SYSTEM INSTL	
NO. OF SHEETS	REV	DATE	DESIGNER
2 OF 6	1		
SHEET		135882	



DETAIL CA

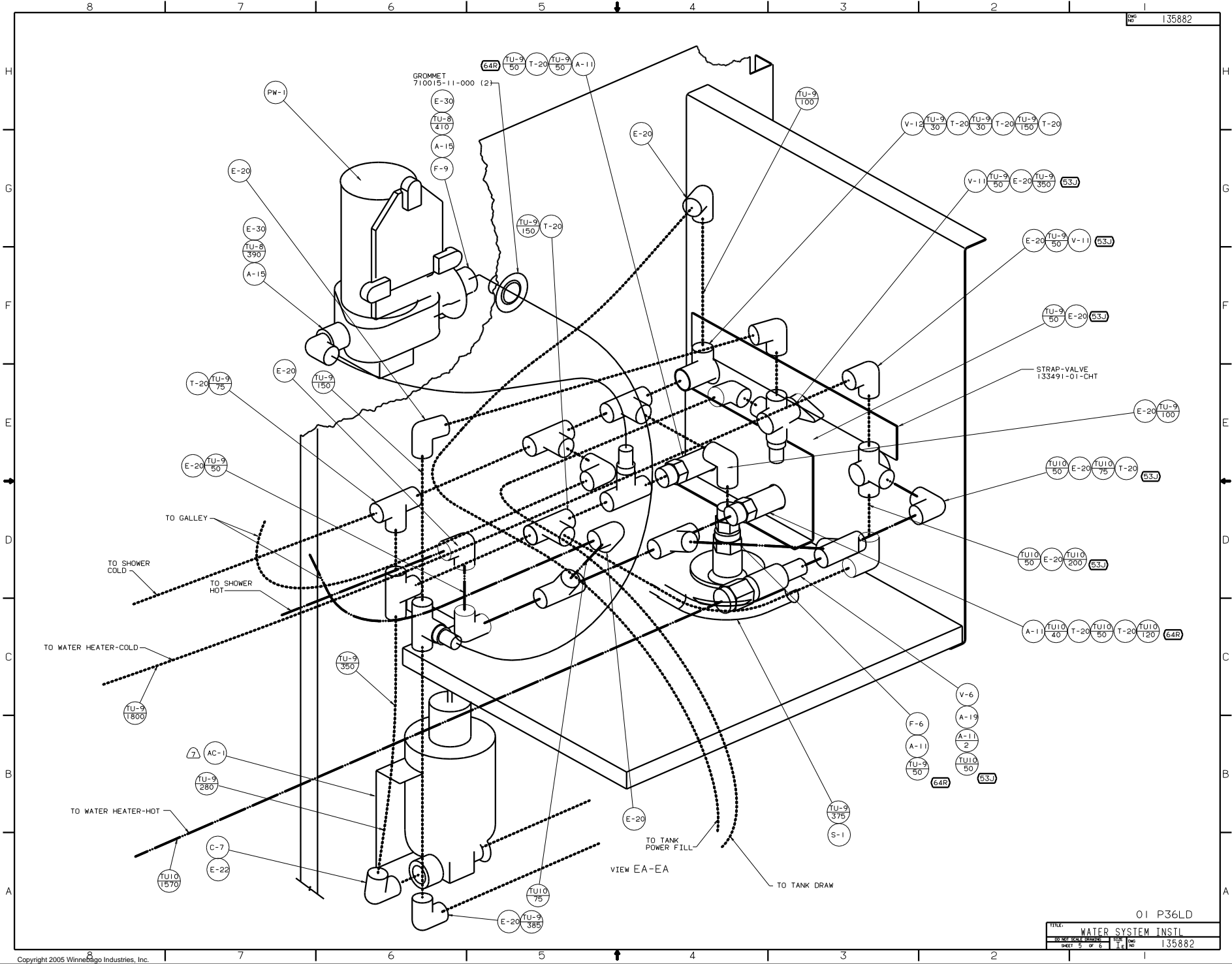
01 P36LD	
TITLE: WATER SYSTEM INSTL	
DATE: 11/11/05	REV: 1
SHEET 3 OF 6	DWG NO: 135882

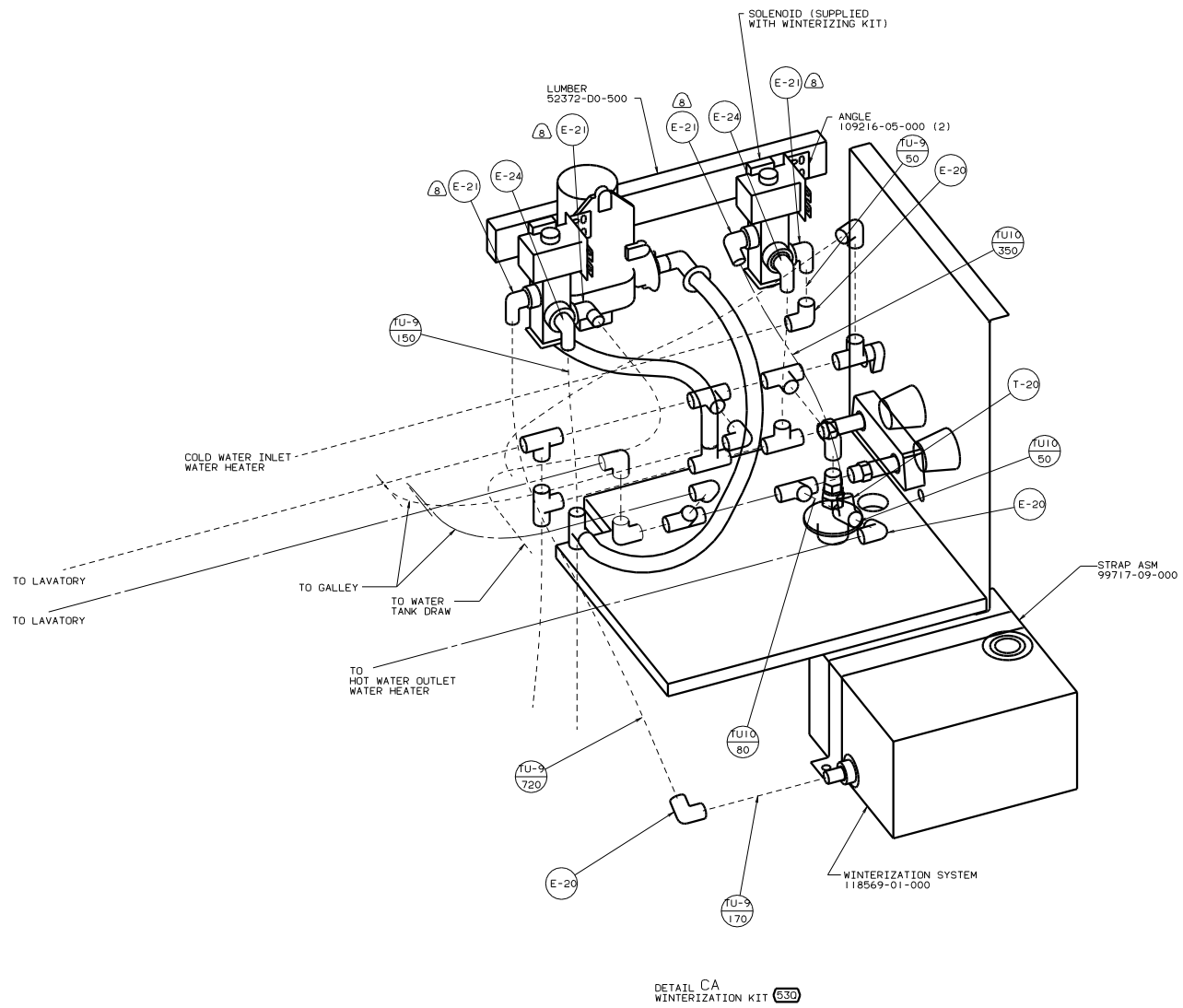


01 P36LD

TITLE		WATER SYSTEM INSTL	
NO	REV	DATE	BY
1	1		
SHEET 4 OF 6		135882	







DETAIL CA WINTERIZATION KIT 630

01 P36LD

TITLE		135882	
WATER SYSTEM INSTL			
NO. OF SHEETS	TOTAL SHEETS	DATE	REV.
6	6		1