

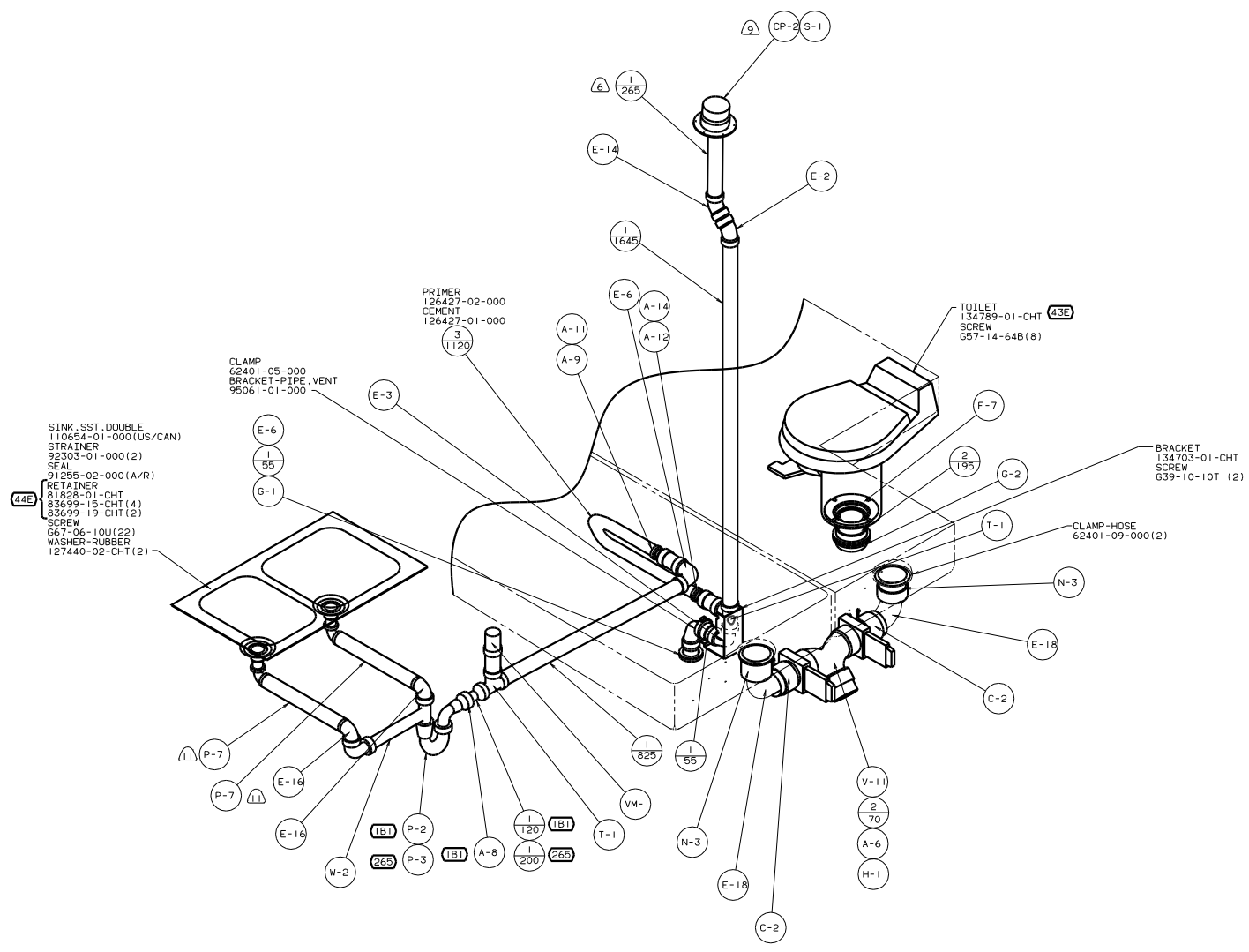
- ⑩ TRIM TO FIT.
- ⑨ VENT PIPE MUST PROJECT 51 MIN AND 63.5 MAX ABOVE ROOF FOR PROPER FIT AND FUNCTION.
- 8. SEE DWG 61607-01-000 FOR INSTL OF GROMMETS.
- 7. SEAL ALL AROUND SHOWER WITH SILICONE.
- ⑥ COVER PIPE FROM ELBOW UP SCRAP 9CART-02 WHEN AVAILABLE OR 9CART-02+000 (150 X 178).
- ⑤ FASTEN TO BOTTOM OF UPPER FLOOR.

- 3. ALL PIPE AND FITTINGS TO BE ASSEMBLED WITH SOLVENT 4020-01-000.
- 2. SLOPE OF TRAP ARM MUST BE 6 PER 305.
- 1. SLOPE OF HORIZONTAL PIPING TO BE 6 PER 305 MIN.

- ④4E COUNTERTOP-SOL. SURFACE-GALLEY
- ④4F COUNTERTOP-SOL. SURFACE-BATH
- ④4A COUNTERTOP-LAMINATE-BATH
- ②6S CODES/STANDARDS-CSA/CMVSS
- ②1T WASHER/DRYER-WITHOUT
- ①B1 CODES/STANDARDS USA
- ⑤4E WASHER/DRYER
- ④3E TOILET PORCELAIN-ROUND
- ②1M WASHER/DRYER PREP

FOR DRAINAGE CALLOUTS SEE DWG NO. 116229-01-000

WINNEBAGO		01 P36L	
QTY	DATE	UNDESIGNED TOLERANCES ARE:	MATERIAL
CHP	DATE	WHOLE DIM (IN)	F
FPE	DATE	ONE-PLACE (IN.XI)	.
FVE	DATE	TWO-PLACE (IN.XXX)	.
CDR	DATE	THIRD PLACE (IN.XXX)	.
		PROJECTION	1E
LAYOUT NO.	DATE	TITLE	SCALE
100		DRAINAGE SYSTEM INSTL	1:1
SHEET	OF	TOTAL SHEETS	NO
1	OF	4	135322
REF: 132398 N I			



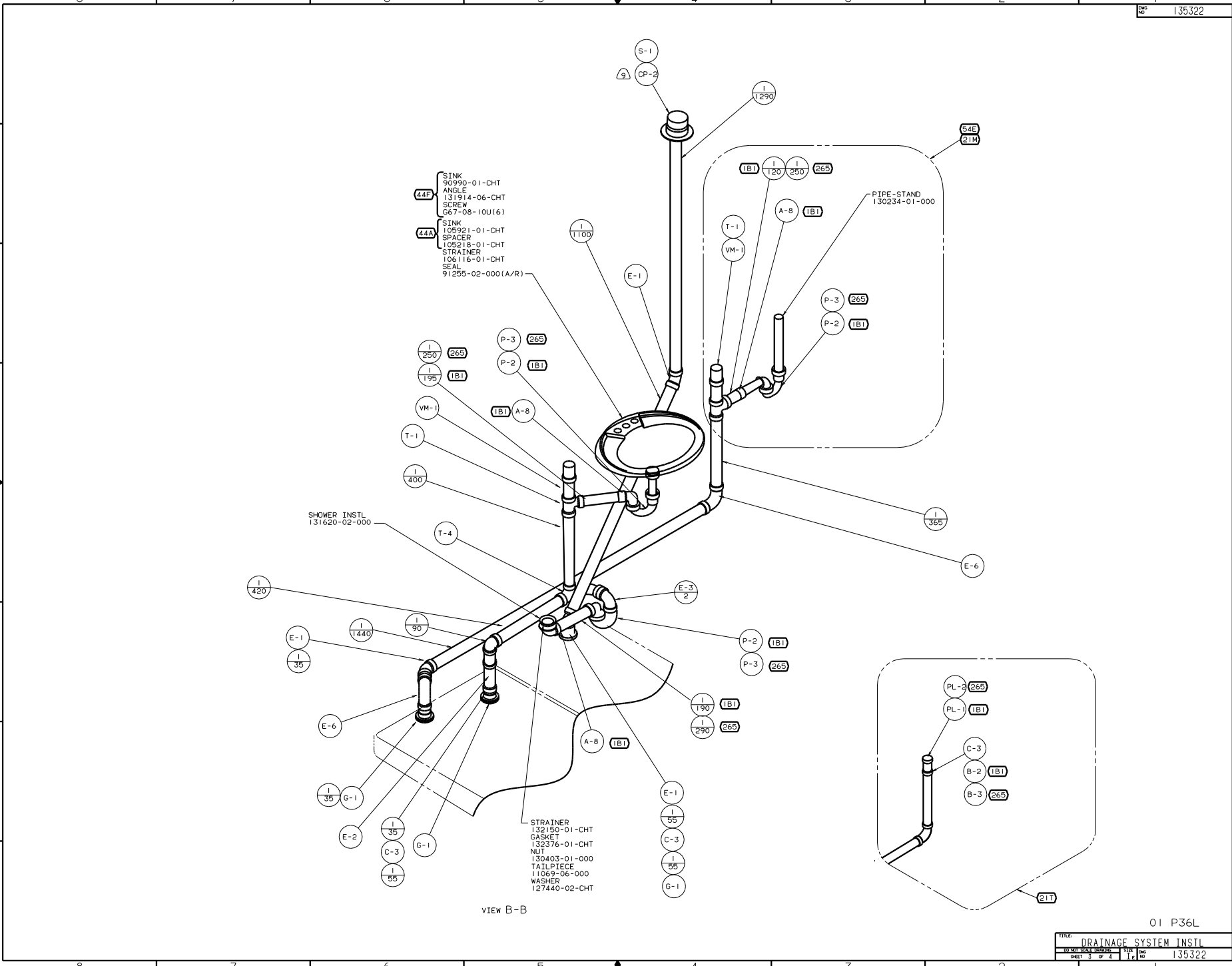
- SINK, SST, DOUBLE
110654-01-000 (US/CAN)
 - STRAINER
92303-01-000 (2)
 - SEAL
91255-02-000 (A/R)
 - RETAINER
81928-01-CHT
83699-15-CHT (4)
83699-19-CHT (2)
 - SCREW
G67-06-10U (22)
 - WASHER-RUBBER
127440-02-CHT (2)
- CLAMP
62401-05-000
BRACKET-PIPE VENT
95061-01-000
- PRIMER
126427-02-000
CEMENT
126427-01-000

TOILET
134789-01-CHT
SCREW
G57-14-64B (8)

BRACKET
134703-01-CHT
SCREW
G39-10-10T (2)

CLAMP-HOSE
62401-09-000 (2)

VIEW A-A



- (44P) SINK 90990-01-CHT
ANGLE 131914-06-CHT
SCREW G67-08-10U(6)
- (44A) SINK 105921-01-CHT
SPACER 105218-01-CHT
STRAINER 106116-01-CHT
SEAL 91255-02-000(A/R)

PIPE-STAND 130234-01-000

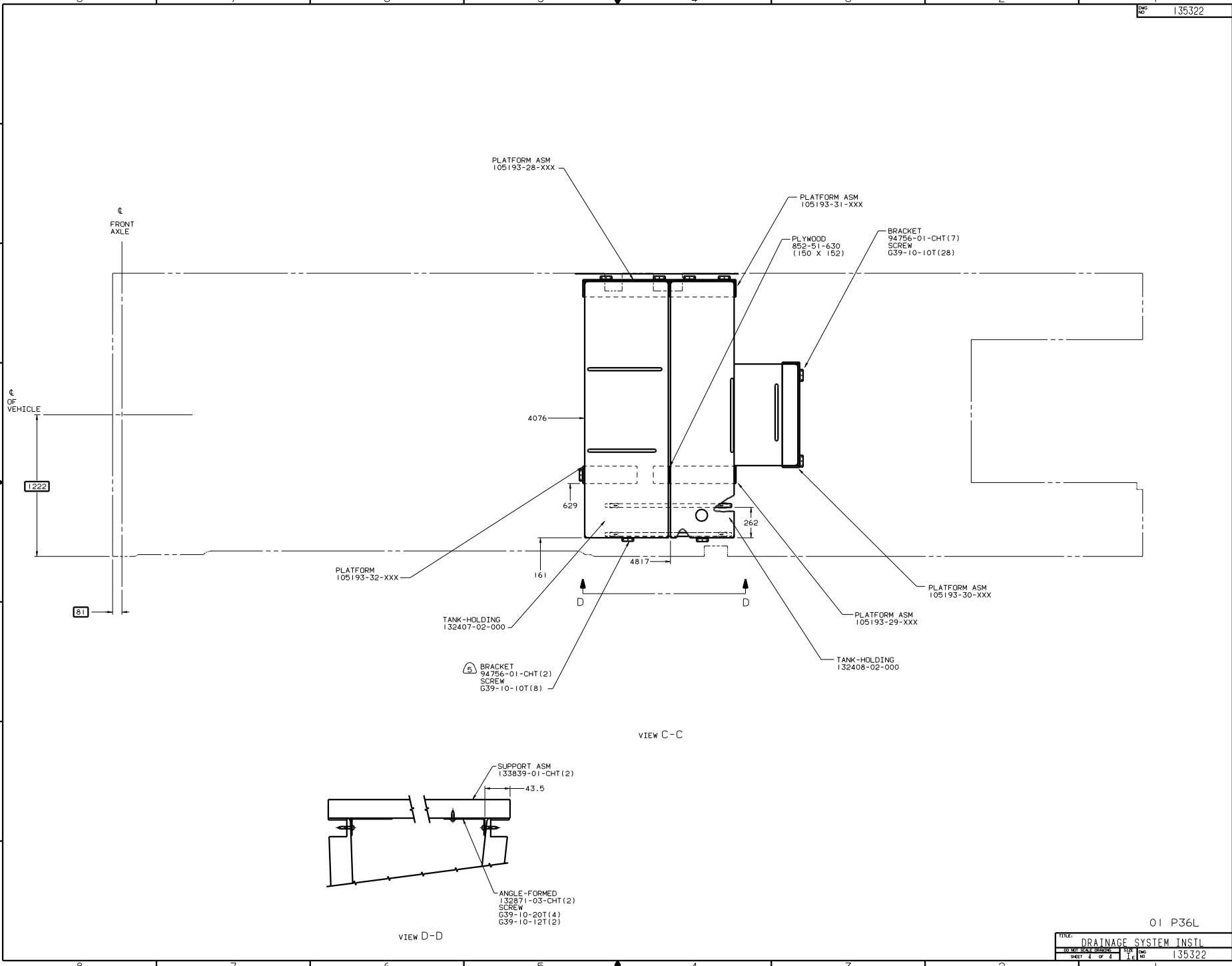
SHOWER INSL 131620-02-000

- STRAINER 132150-01-CHT
GASKET 132376-01-CHT
NUT 130403-01-000
TAILPIECE 11069-06-000
WASHER 127440-02-CHT

VIEW B-B

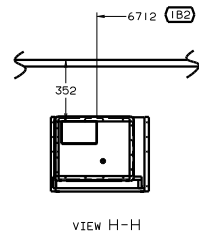
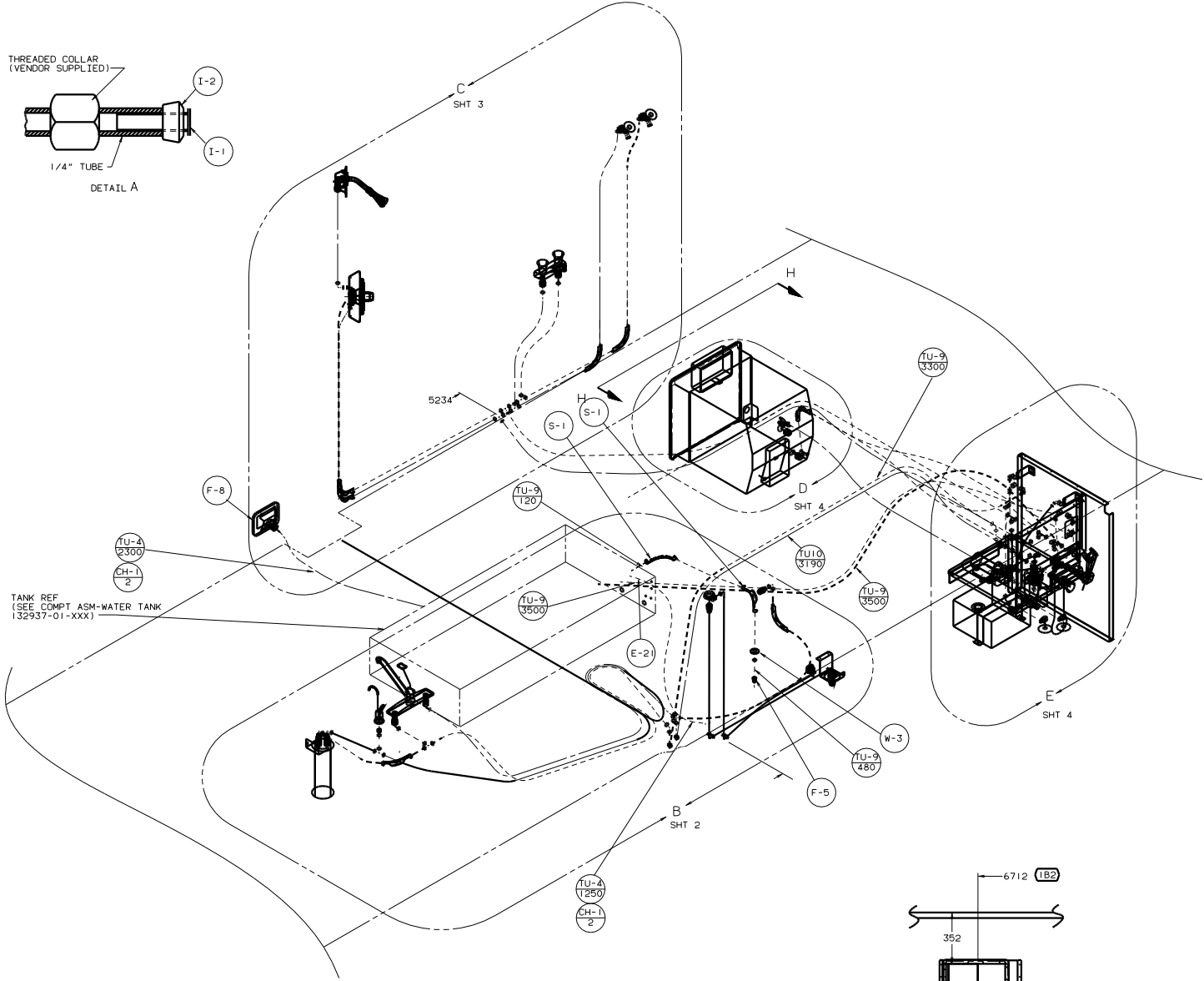
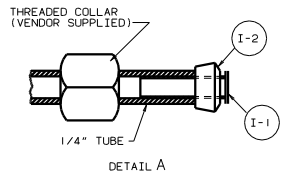
01 P36L

TITLE		DRAINAGE SYSTEM INSL	
BY	DATE	CHK	DATE
SHEET 3 OF 4		FIG	NO
		1	135322



01 P36L

TITLE: DRAINAGE SYSTEM INSILL		DATE: 11/01/05	REV: 1
BY: J.E.	CHECKED: J.E.	DATE: 11/01/05	REV: 1
SHEET 4 OF 4		135322	



- (44F) COUNTERTOP-SOL. SURFACE-BATH
- (79W) REFRIGERATOR-4 DOOR
- (43A) SHOWER HEAD-FIXED
- (43H) SHOWER HEAD-HAND HELD
- (211) WASHER/DRYER WITHOUT
- (54E) WASHER/DRYER
- (64R) EXTERIOR WASH STATION
- (53V) WATER HEATER BY-PASS-VALVE
- (21W) WASHER/DRYER PREP
- (1B2) WTR HTR-10GAL/ELEC/LP/MTR/ID
- (29B) WATER PURIFIER
- (18U) REFRIGERATOR/FRZR W/ICEMAKER

7. APPLY DECAL INSIDE OF UPPER SHOWER HEAD HOLDER TO RETAIN SHOWER HEAD UNIT INSIDE OF HOLDER.
6. FLUSHING SYSTEM REQUIRES 125697-06-000 INSTRUCTION SHEET.
5. CLAMPS MUST BE ON BARBS.
4. USE DETAIL "A" IN THIS AREA.
3. ALL TUBING TO BE SECURED AT 1200 INTERVALS MAXIMUM WITH CLAMP 10495-01-000 OR CLIP 9151-01-000 AND SCREW G67-10-128.
2. TUBING TO BE INSTALLED WITH SUFFICIENT SLOPE TO PROVIDE DRAINAGE TO NEAREST VALVE.
1. PLASTIC FITTINGS TO BE SEALED WITH SEALANT 84456-01-000.

LEGEND		WINNEBAGO 01 P36L	
HOT	-----	DATE	UNDESIGNED DIMENSIONS ARE MATERIAL
COLD	-----	DATE	WHOLE DIM (IN) 1/8"
		DATE	ONE-PLACE (IN) .1
		DATE	TWO-PLACE (IN) .001
		DATE	ANGLE
		DATE	THIRD ANGLE PERSPECTIVE
		DATE	
FOR WATER CALLOUTS SEE DWG NO. 116200-01-000		TITLE WATER SYSTEM INSTL	
LAYOUT P36L		REF: 132401 T 1	
SHEET 1 OF 5		135323	

TO REFRIGERATOR

TO WATER CENTER

CHECK VALVE
125697-03-000

△ BREAKER-VACUUM
125697-04-000
(MUST BE MOUNTED ABOVE
TOILET FLOOD LEVEL)

FAUCET-GALLEY-SGL CONTROL
104114-03-CHT

SPACER-FAUCET
137079-01-CHT

BRACKET-SUPPORT
132765-01-CHT

FILL INLET
125697-05-000

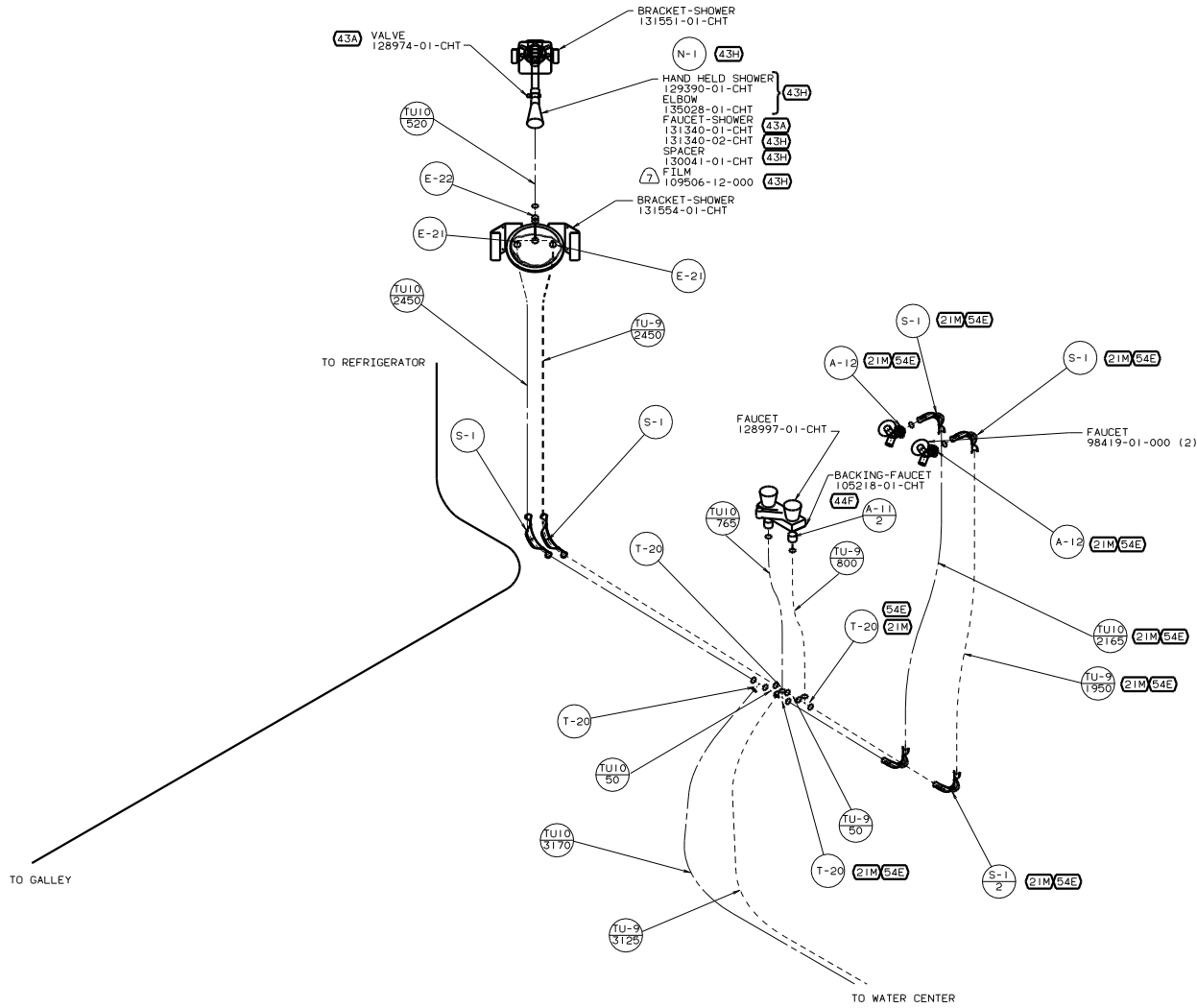
FILTER
87200-01-000
CARTRIDGE
87200-02-000
SCREW
G67-10-12U(2)

DETAIL B

DETAIL G

01 P36L

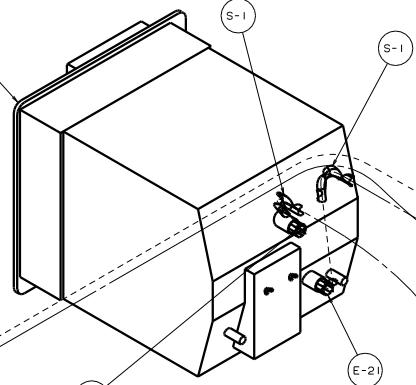
TITLE		WATER SYSTEM INSTL	
NO	DATE	BY	CHK
2	5	1	1
SHEET		2 OF 5	
135323		135323	



DETAIL C

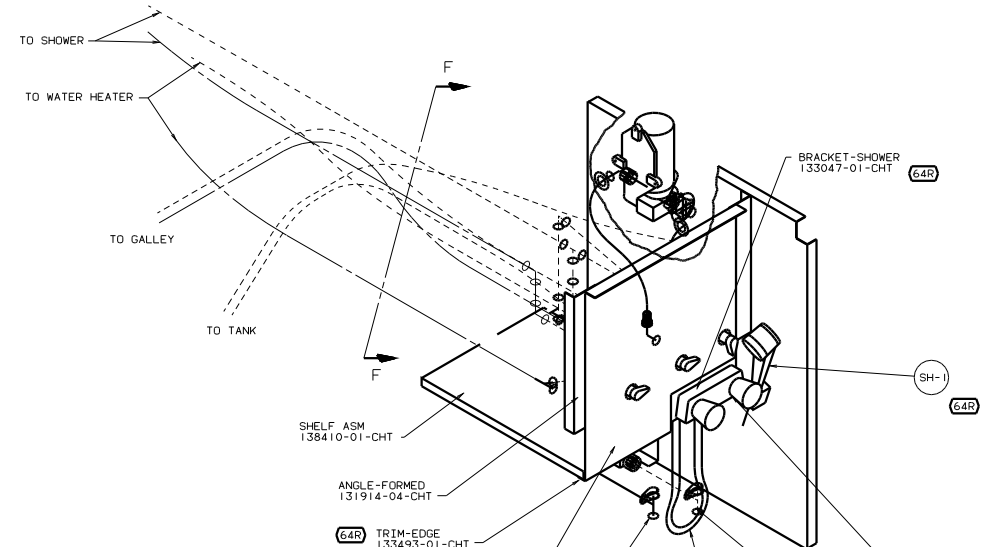
- WATERHEATER-10 GAL
S1391-05-000
D009
- 125420-01-CHT
PLATE-WATER HEATER
- 133224-01-CHT
(TAB GOES FORWARD)
- SCREW
G39-10-10T(16)

1B2



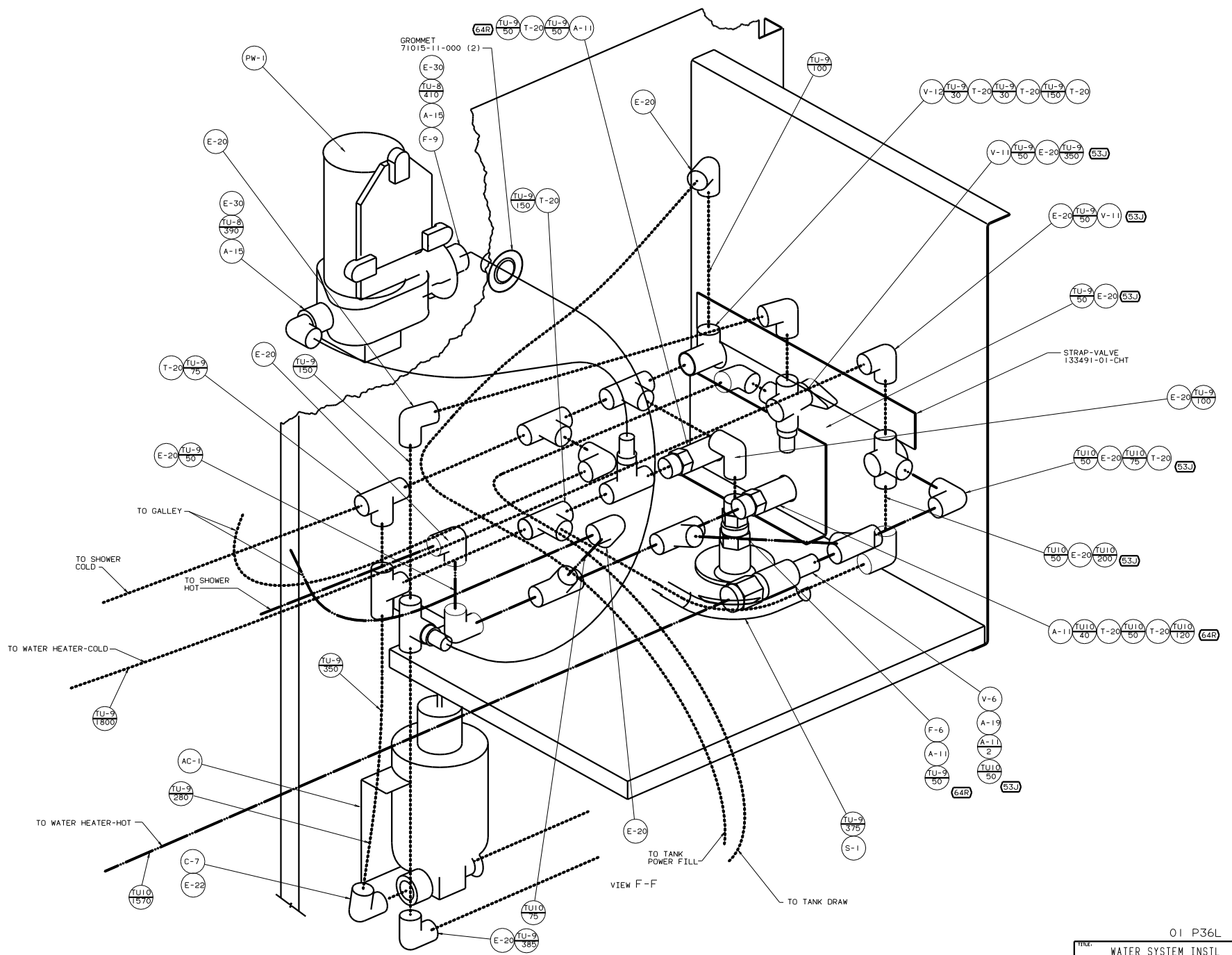
DETAIL D

- E-21
- V-6
- TU-9
30
- A-11
- V-6
- A-19
- A-11



DETAIL E

- BRACKET-SHOWER
133047-01-CHT (64R)
- SH-1 (64R)
- F-2 (64R)
- TRIM-EDGE
133493-01-CHT (64R)
- PANEL-SERVICE CENTER
133523-01-CHT LABEL (53J)
- 133629-01-CHT (53J)
- V-12
- TU-9
T00
- A-17
- A-5
- TU-3
T000
- A-5
- C1-3
- CH-2
2 (53J)
- V-12
- TU-9
T65
- C-7
- A-12



TITLE		01 P36L	
WATER SYSTEM INSTL		135323	
NO. OF SHEETS	5	SHEET	5 OF 5
DATE		BY	J.E.W.