

SHOWER INSTL
131620-06-000
STRAINER
132150-01-CHT
GASKET
132376-01-CHT
NUT
130403-01-000
TAILPIECE
11069-06-000
WASHER
127440-02-CHT

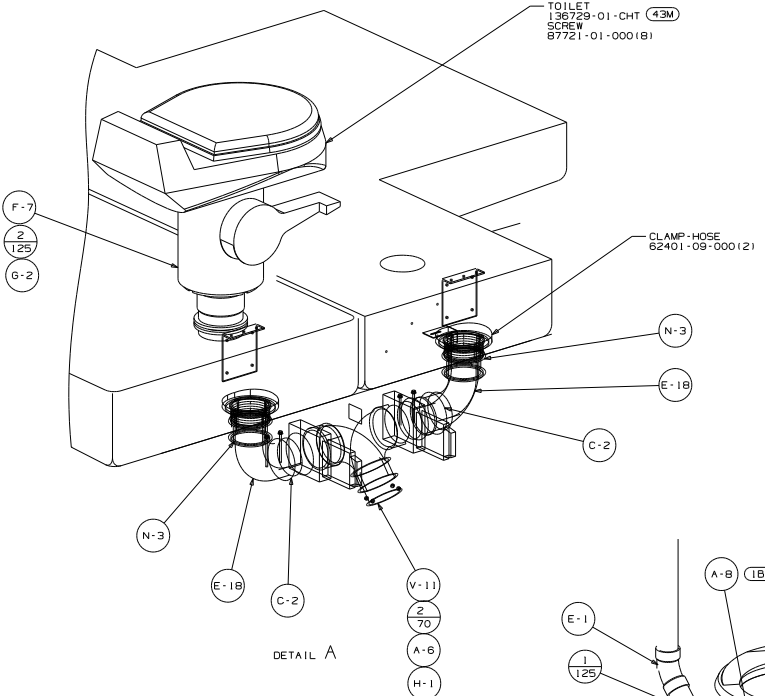
- FASTEN TO BOTTOM OF UPPER FLOOR.
- VENT PIPE MUST PROJECT 51 MIN AND 63.5 MAX ABOVE ROOF FOR PROPER FIT AND FUNCTION
- FOR CANADIAN UNITS EACH HOLDING TANK SHALL HAVE A CSA APPROVAL STAMPED NEAR THE TAMPO APPROVAL.
 - SEAL AROUND SHOWER WITH SILICONE.
 - ALL EXTERIOR OPENINGS AROUND PIPE TO BE SEALED WITH 110744-01-000.
 - ALL PIPE AND FITTINGS TO BE ASSEMBLED WITH SOLVENT 4020-01-000.
 - SLOPE OF TRAP ARM MUST BE 6 PER 305 MM.
 - SLOPE OF HORIZONTAL PIPING TO BE 6 PER 305 MM.

- (43M) TOILET PORCELAIN-ELONGATED
- (54E) WASHER/DRYER
- (21M) WASHER/DRYER PREP
- (43E) TOILET PORCELAIN-ROUND
- (265) CODES/STDS-CSA/CMVSS
- (1B1) CODES/STANDARDS-USA

X-X
FOR
DRAWING
CALLOUTS
SEE DWG NO.
116229-01-000

WINNEBAGO	
DTR	ORIG. DATE 05/16/00
CHR	ALL DIMENSIONS ARE IN MILLIMETERS
P.E.	FIRST USED
M.E.	01 P366D
DWR	
UNSPECIFIED TOLERANCES ARE:	MATERIAL
HOLES (Ø) (X) :	7
ONE-PLACE (X, X) :	
TWO-PLACE (X, X) :	
ANGLE :	
THIRD ANGLE PROJECTION	
DO NOT SCALE DRAWING	
TITLE: DRAINAGE SYSTEM INSTL	
SHEET 1 of 3	PART NO 136566

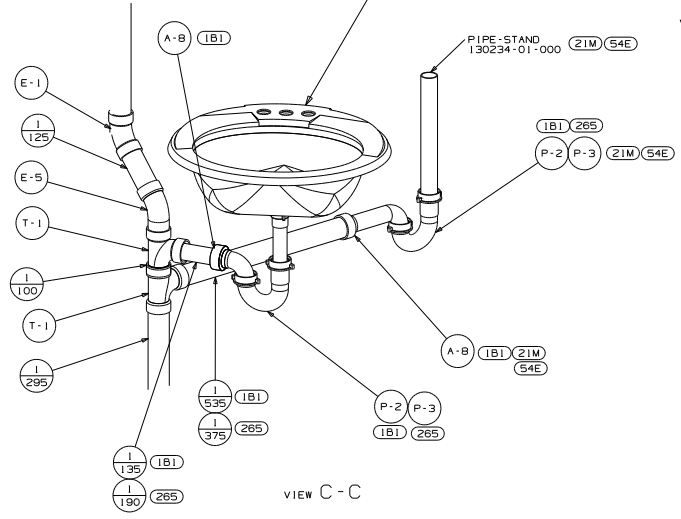
TOILET
136729-01-CHT (43M)
SCREW
87721-01-000(8)



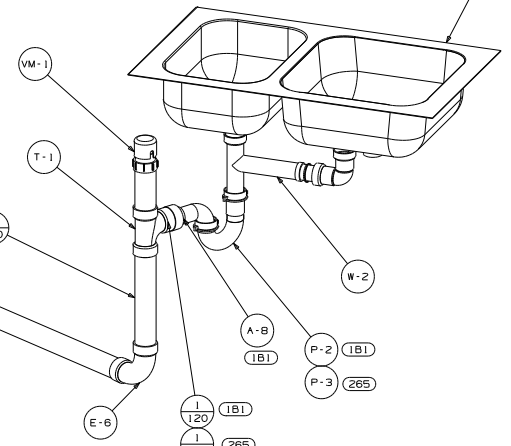
DETAIL A

CLAMP-HOSE
62401-09-000(12)

SINK (44F)
80990-01-CHT
SPACER
10521B-01-CHT
ANGLE
131914-06-CHT (4)
SCREW
667-08-10U (16)



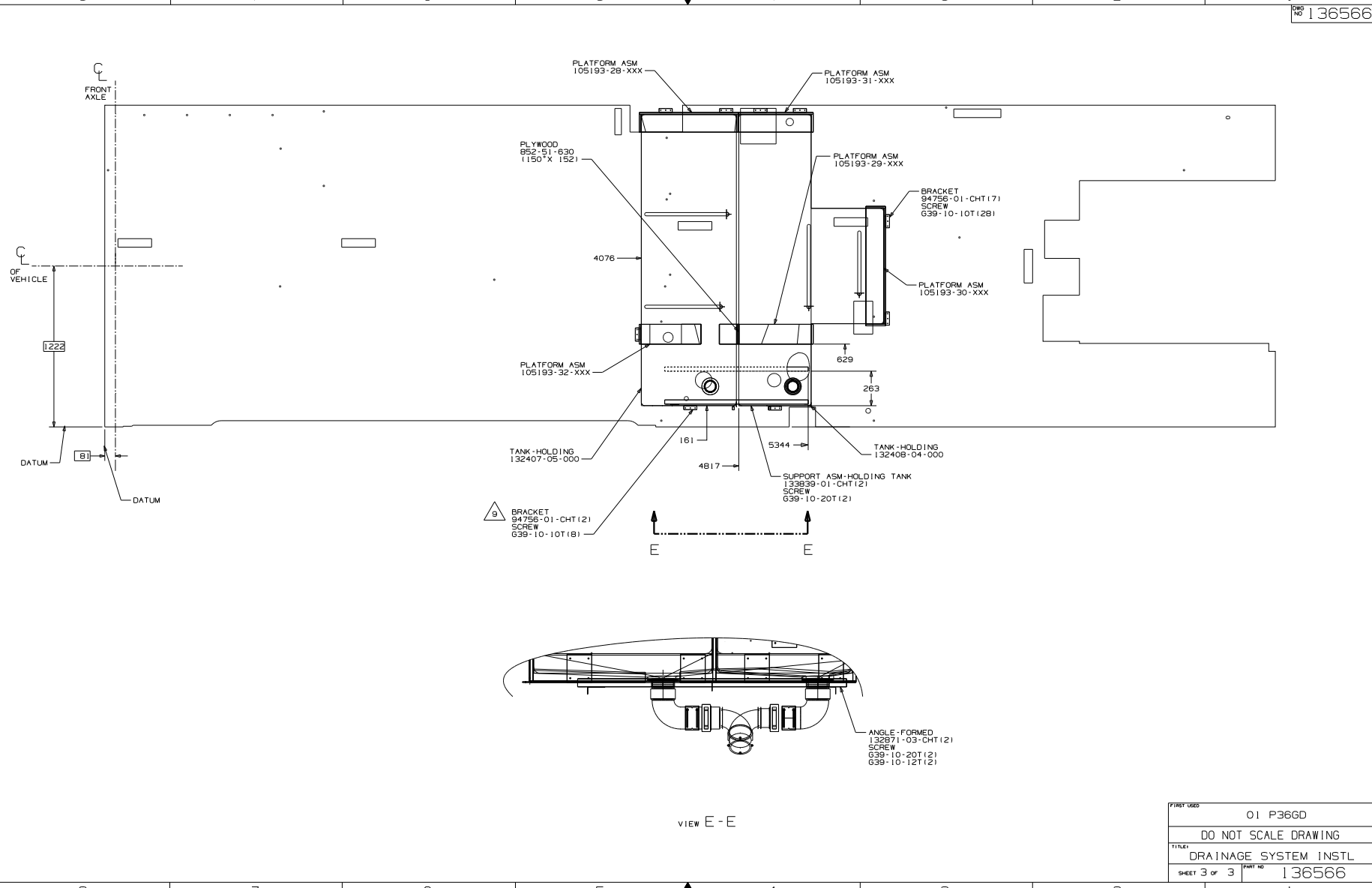
VIEW C-C



VIEW B-B

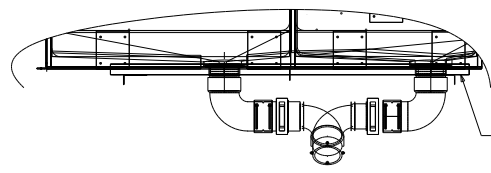
SINK-SST, DOUBLE
110654-01-000(US/CAN)
STRAINER
92303-01-000(12)
SEAL
81255-02-000(A/R)
RETAINER
81828-01-CHT
83699-15-CHT(12)
83699-19-CHT(13)
SCREW
667-06-10U(22)
WASHER-RUBBER
127440-02-CHT(12)

FIRST USED	01 P36GD
DO NOT SCALE DRAWING	
TITLE: DRAINAGE SYSTEM INSTL	
SHEET 2 of 3	DWG NO 136566



BRACKET
94756-01-CHT(12)
SCREW
639-10-10T(8)

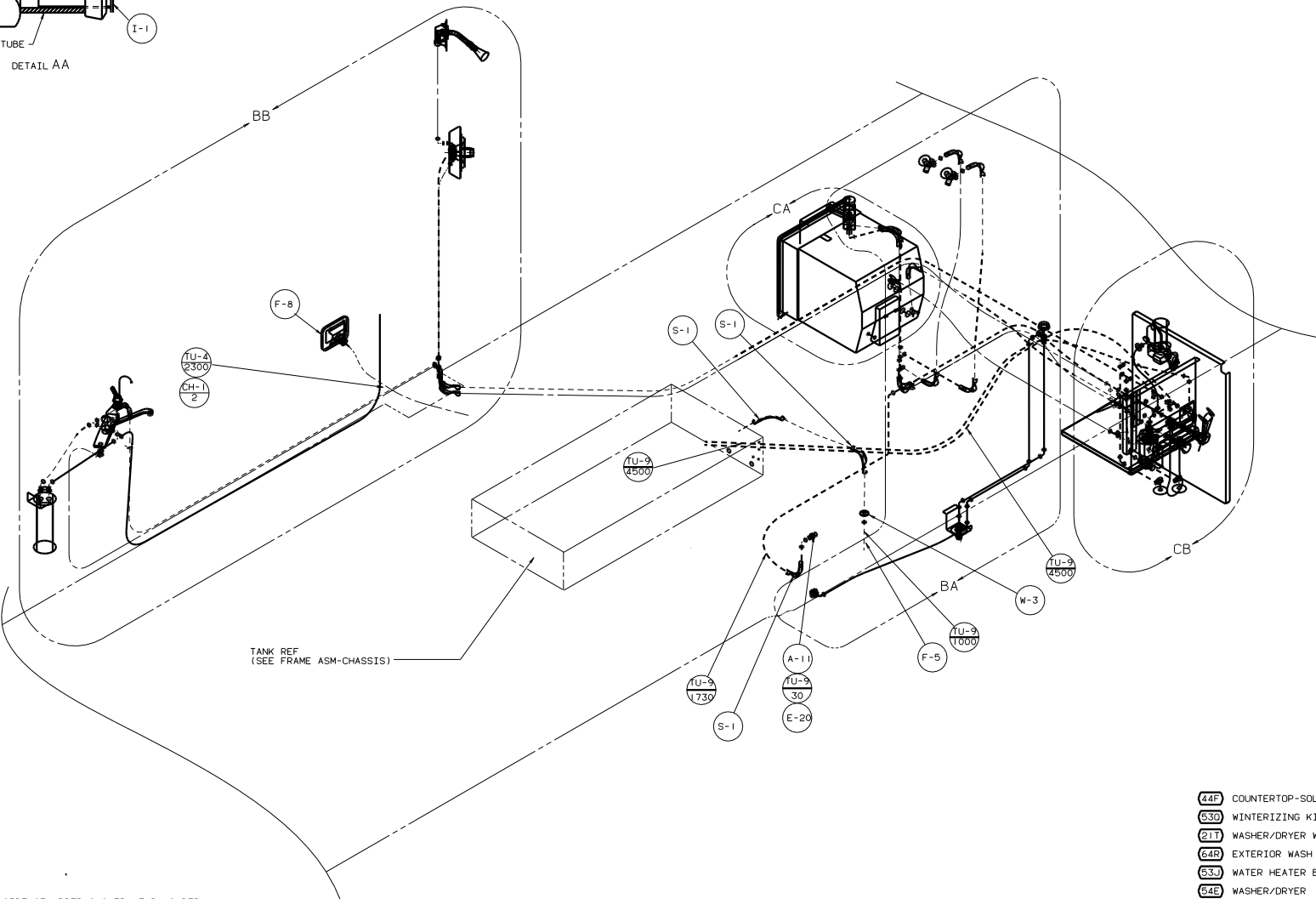
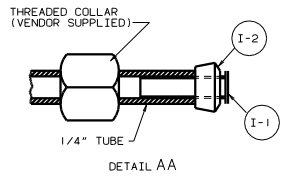
E E



ANGLE-FORMED
132871-03-CHT(2)
SCREW
639-10-20T(2)
639-10-12T(2)

VIEW E-E

FIRST USED	01 P36GD
DO NOT SCALE DRAWING	
TITLE:	DRAINAGE SYSTEM INSTL
SHEET 3 of 3	DWG NO 136566



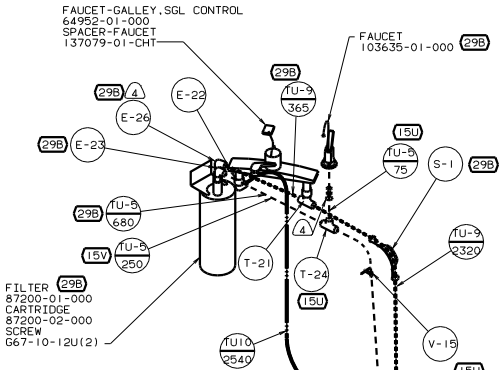
8. APPLY DECAL INSIDE OF UPPER SHOWER HEAD HOLDER TO RETAIN SHOWER HEAD UNIT INSIDE OF HOLDER.
7. WRAP WITH TEFLON TAPE 10405-03-000 TO FITTINGS.
6. WRAP WITH TEFLON TAPE 10405-02-000 TO FITTINGS.
5. FLUSHING SYSTEM REQUIRES 125697-06-000 INSTRUCTION SHEET.
4. USE DETAIL "AA" IN THIS AREA.
3. ALL TUBING TO BE SECURED AT 1200 INTERVALS MAXIMUM WITH CLAMP 10495-01-000 OR CLIP 9151-01-000 AND SCREW G67-10-128.
2. TUBING TO BE INSTALLED WITH SUFFICIENT SLOPE TO PROVIDE DRAINAGE TO NEAREST VALVE.
1. PLASTIC FITTINGS TO BE SEALED WITH SEALANT 84456-01-000.

- 44F COUNTERTOP-SOL. SURFACE-BATH
- 530 WINTERIZING KIT
- 211 WASHER/DRYER WITHOUTN
- 64R EXTERIOR WASH STATION
- 530 WATER HEATER BY-PASS-VALVE
- 54E WASHER/DRYER
- 21W WASHER/DRYER PREP
- 1B2 WTR HTR-10GAL/ELEC/LP/MTRAIID
- 29B WATER PURIFIER
- 15U REFRIGERATOR/FRZR W/ICEMAKER

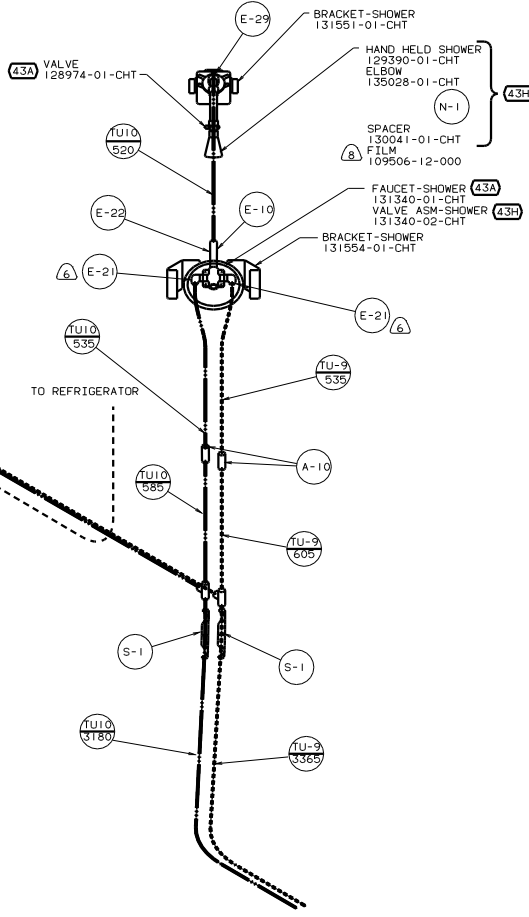
LEGEND	
HOT	-----
COLD	-----

FOR WATER CALLOUTS SEE DWG NO. 116230-01-000

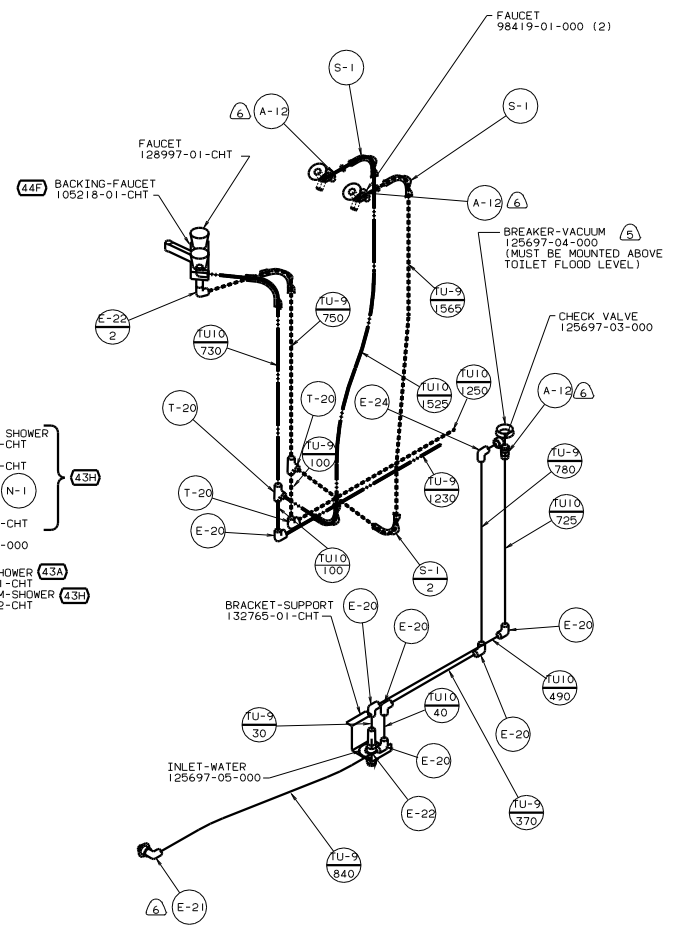
WINNEBAGO		01 P36GD
DATE	UNDESIGNED TOLERANCES ARE:	MATERIAL
DATE	WHOLE DIM (IN)	F
DATE	ONE-PLACE (IN.XI)	.
DATE	TWO-PLACE (IN.XXX)	0.005
DATE	THREE-PLACE (IN.XXX.X)	0.0005
DATE	FOUR-PLACE (IN.XXX.XX)	0.0001
DATE	FIVE-PLACE (IN.XXX.XXX)	0.00005
DATE	SIX-PLACE (IN.XXX.XXX.X)	0.00001
DATE	SEVEN-PLACE (IN.XXX.XXX.XX)	0.000005
DATE	EIGHT-PLACE (IN.XXX.XXX.XXX)	0.000001
DATE	NINE-PLACE (IN.XXX.XXX.XXX.X)	0.0000005
DATE	TEN-PLACE (IN.XXX.XXX.XXX.XX)	0.0000001
DATE	ELEVEN-PLACE (IN.XXX.XXX.XXX.XXX)	0.00000005
DATE	TWELVE-PLACE (IN.XXX.XXX.XXX.XXX.X)	0.00000001
DATE	THIRTEEN-PLACE (IN.XXX.XXX.XXX.XXX.XX)	0.000000005
DATE	FOURTEEN-PLACE (IN.XXX.XXX.XXX.XXX.XXX)	0.000000001
DATE	FIFTEEN-PLACE (IN.XXX.XXX.XXX.XXX.XXX.X)	0.0000000005
DATE	SIXTEEN-PLACE (IN.XXX.XXX.XXX.XXX.XXX.XX)	0.0000000001
DATE	SEVENTEEN-PLACE (IN.XXX.XXX.XXX.XXX.XXX.XXX)	0.00000000005
DATE	EIGHTEEN-PLACE (IN.XXX.XXX.XXX.XXX.XXX.XXX.X)	0.00000000001
DATE	NINETEEN-PLACE (IN.XXX.XXX.XXX.XXX.XXX.XXX.XX)	0.000000000005
DATE	TWENTY-PLACE (IN.XXX.XXX.XXX.XXX.XXX.XXX.XXX)	0.000000000001
DATE	UNDESIGNED TOLERANCES ARE:	
DATE	WHOLE DIM (IN)	F
DATE	ONE-PLACE (IN.XI)	.
DATE	TWO-PLACE (IN.XXX)	0.005
DATE	THREE-PLACE (IN.XXX.X)	0.0005
DATE	FOUR-PLACE (IN.XXX.XX)	0.0001
DATE	FIVE-PLACE (IN.XXX.XXX)	0.00005
DATE	SIX-PLACE (IN.XXX.XXX.X)	0.00001
DATE	SEVEN-PLACE (IN.XXX.XXX.XX)	0.000005
DATE	EIGHT-PLACE (IN.XXX.XXX.XXX)	0.000001
DATE	NINE-PLACE (IN.XXX.XXX.XXX.X)	0.0000005
DATE	TEN-PLACE (IN.XXX.XXX.XXX.XX)	0.0000001
DATE	ELEVEN-PLACE (IN.XXX.XXX.XXX.XXX)	0.00000005
DATE	TWELVE-PLACE (IN.XXX.XXX.XXX.XXX.X)	0.00000001
DATE	THIRTEEN-PLACE (IN.XXX.XXX.XXX.XXX.XX)	0.000000005
DATE	FOURTEEN-PLACE (IN.XXX.XXX.XXX.XXX.XXX)	0.000000001
DATE	FIFTEEN-PLACE (IN.XXX.XXX.XXX.XXX.XXX.X)	0.0000000005
DATE	SIXTEEN-PLACE (IN.XXX.XXX.XXX.XXX.XXX.XX)	0.0000000001
DATE	SEVENTEEN-PLACE (IN.XXX.XXX.XXX.XXX.XXX.XXX)	0.00000000005
DATE	EIGHTEEN-PLACE (IN.XXX.XXX.XXX.XXX.XXX.XXX.X)	0.00000000001
DATE	NINETEEN-PLACE (IN.XXX.XXX.XXX.XXX.XXX.XXX.XX)	0.000000000005
DATE	TWENTY-PLACE (IN.XXX.XXX.XXX.XXX.XXX.XXX.XXX)	0.000000000001
DATE	UNDESIGNED TOLERANCES ARE:	
DATE	WHOLE DIM (IN)	F
DATE	ONE-PLACE (IN.XI)	.
DATE	TWO-PLACE (IN.XXX)	0.005
DATE	THREE-PLACE (IN.XXX.X)	0.0005
DATE	FOUR-PLACE (IN.XXX.XX)	0.0001
DATE	FIVE-PLACE (IN.XXX.XXX)	0.00005
DATE	SIX-PLACE (IN.XXX.XXX.X)	0.00001
DATE	SEVEN-PLACE (IN.XXX.XXX.XX)	0.000005
DATE	EIGHT-PLACE (IN.XXX.XXX.XXX)	0.000001
DATE	NINE-PLACE (IN.XXX.XXX.XXX.X)	0.0000005
DATE	TEN-PLACE (IN.XXX.XXX.XXX.XX)	0.0000001
DATE	ELEVEN-PLACE (IN.XXX.XXX.XXX.XXX)	0.00000005
DATE	TWELVE-PLACE (IN.XXX.XXX.XXX.XXX.X)	0.00000001
DATE	THIRTEEN-PLACE (IN.XXX.XXX.XXX.XXX.XX)	0.000000005
DATE	FOURTEEN-PLACE (IN.XXX.XXX.XXX.XXX.XXX)	0.000000001
DATE	FIFTEEN-PLACE (IN.XXX.XXX.XXX.XXX.XXX.X)	0.0000000005
DATE	SIXTEEN-PLACE (IN.XXX.XXX.XXX.XXX.XXX.XX)	0.0000000001
DATE	SEVENTEEN-PLACE (IN.XXX.XXX.XXX.XXX.XXX.XXX)	0.00000000005
DATE	EIGHTEEN-PLACE (IN.XXX.XXX.XXX.XXX.XXX.XXX.X)	0.00000000001
DATE	NINETEEN-PLACE (IN.XXX.XXX.XXX.XXX.XXX.XXX.XX)	0.000000000005
DATE	TWENTY-PLACE (IN.XXX.XXX.XXX.XXX.XXX.XXX.XXX)	0.000000000001
DATE	UNDESIGNED TOLERANCES ARE:	
DATE	WHOLE DIM (IN)	F
DATE	ONE-PLACE (IN.XI)	.
DATE	TWO-PLACE (IN.XXX)	0.005
DATE	THREE-PLACE (IN.XXX.X)	0.0005
DATE	FOUR-PLACE (IN.XXX.XX)	0.0001
DATE	FIVE-PLACE (IN.XXX.XXX)	0.00005
DATE	SIX-PLACE (IN.XXX.XXX.X)	0.00001
DATE	SEVEN-PLACE (IN.XXX.XXX.XX)	0.000005
DATE	EIGHT-PLACE (IN.XXX.XXX.XXX)	0.000001
DATE	NINE-PLACE (IN.XXX.XXX.XXX.X)	0.0000005
DATE	TEN-PLACE (IN.XXX.XXX.XXX.XX)	0.0000001
DATE	ELEVEN-PLACE (IN.XXX.XXX.XXX.XXX)	0.00000005
DATE	TWELVE-PLACE (IN.XXX.XXX.XXX.XXX.X)	0.00000001
DATE	THIRTEEN-PLACE (IN.XXX.XXX.XXX.XXX.XX)	0.000000005
DATE	FOURTEEN-PLACE (IN.XXX.XXX.XXX.XXX.XXX)	0.000000001
DATE	FIFTEEN-PLACE (IN.XXX.XXX.XXX.XXX.XXX.X)	0.0000000005
DATE	SIXTEEN-PLACE (IN.XXX.XXX.XXX.XXX.XXX.XX)	0.0000000001
DATE	SEVENTEEN-PLACE (IN.XXX.XXX.XXX.XXX.XXX.XXX)	0.00000000005
DATE	EIGHTEEN-PLACE (IN.XXX.XXX.XXX.XXX.XXX.XXX.X)	0.00000000001
DATE	NINETEEN-PLACE (IN.XXX.XXX.XXX.XXX.XXX.XXX.XX)	0.000000000005
DATE	TWENTY-PLACE (IN.XXX.XXX.XXX.XXX.XXX.XXX.XXX)	0.000000000001
DATE	UNDESIGNED TOLERANCES ARE:	
DATE	WHOLE DIM (IN)	F
DATE	ONE-PLACE (IN.XI)	.
DATE	TWO-PLACE (IN.XXX)	0.005
DATE	THREE-PLACE (IN.XXX.X)	0.0005
DATE	FOUR-PLACE (IN.XXX.XX)	0.0001
DATE	FIVE-PLACE (IN.XXX.XXX)	0.00005
DATE	SIX-PLACE (IN.XXX.XXX.X)	0.00001
DATE	SEVEN-PLACE (IN.XXX.XXX.XX)	0.000005
DATE	EIGHT-PLACE (IN.XXX.XXX.XXX)	0.000001
DATE	NINE-PLACE (IN.XXX.XXX.XXX.X)	0.0000005
DATE	TEN-PLACE (IN.XXX.XXX.XXX.XX)	0.0000001
DATE	ELEVEN-PLACE (IN.XXX.XXX.XXX.XXX)	0.00000005
DATE	TWELVE-PLACE (IN.XXX.XXX.XXX.XXX.X)	0.00000001
DATE	THIRTEEN-PLACE (IN.XXX.XXX.XXX.XXX.XX)	0.000000005
DATE	FOURTEEN-PLACE (IN.XXX.XXX.XXX.XXX.XXX)	0.000000001
DATE	FIFTEEN-PLACE (IN.XXX.XXX.XXX.XXX.XXX.X)	0.0000000005
DATE	SIXTEEN-PLACE (IN.XXX.XXX.XXX.XXX.XXX.XX)	0.0000000001
DATE	SEVENTEEN-PLACE (IN.XXX.XXX.XXX.XXX.XXX.XXX)	0.00000000005
DATE	EIGHTEEN-PLACE (IN.XXX.XXX.XXX.XXX.XXX.XXX.X)	0.00000000001
DATE	NINETEEN-PLACE (IN.XXX.XXX.XXX.XXX.XXX.XXX.XX)	0.000000000005
DATE	TWENTY-PLACE (IN.XXX.XXX.XXX.XXX.XXX.XXX.XXX)	0.000000000001
DATE	UNDESIGNED TOLERANCES ARE:	
DATE	WHOLE DIM (IN)	F
DATE	ONE-PLACE (IN.XI)	.
DATE	TWO-PLACE (IN.XXX)	0.005
DATE	THREE-PLACE (IN.XXX.X)	0.0005
DATE	FOUR-PLACE (IN.XXX.XX)	0.0001
DATE	FIVE-PLACE (IN.XXX.XXX)	0.00005
DATE	SIX-PLACE (IN.XXX.XXX.X)	0.00001
DATE	SEVEN-PLACE (IN.XXX.XXX.XX)	0.000005
DATE	EIGHT-PLACE (IN.XXX.XXX.XXX)	0.000001
DATE	NINE-PLACE (IN.XXX.XXX.XXX.X)	0.0000005
DATE	TEN-PLACE (IN.XXX.XXX.XXX.XX)	0.0000001
DATE	ELEVEN-PLACE (IN.XXX.XXX.XXX.XXX)	0.00000005
DATE	TWELVE-PLACE (IN.XXX.XXX.XXX.XXX.X)	0.00000001
DATE	THIRTEEN-PLACE (IN.XXX.XXX.XXX.XXX.XX)	0.000000005
DATE	FOURTEEN-PLACE (IN.XXX.XXX.XXX.XXX.XXX)	0.000000001
DATE	FIFTEEN-PLACE (IN.XXX.XXX.XXX.XXX.XXX.X)	0.0000000005
DATE	SIXTEEN-PLACE (IN.XXX.XXX.XXX.XXX.XXX.XX)	0.0000000001
DATE	SEVENTEEN-PLACE (IN.XXX.XXX.XXX.XXX.XXX.XXX)	0.00000000005
DATE	EIGHTEEN-PLACE (IN.XXX.XXX.XXX.XXX.XXX.XXX.X)	0.00000000001
DATE	NINETEEN-PLACE (IN.XXX.XXX.XXX.XXX.XXX.XXX.XX)	0.000000000005
DATE	TWENTY-PLACE (IN.XXX.XXX.XXX.XXX.XXX.XXX.XXX)	0.000000000001
DATE	UNDESIGNED TOLERANCES ARE:	
DATE	WHOLE DIM (IN)	F
DATE	ONE-PLACE (IN.XI)	.
DATE	TWO-PLACE (IN.XXX)	0.005
DATE	THREE-PLACE (IN.XXX.X)	0.0005
DATE	FOUR-PLACE (IN.XXX.XX)	0.0001
DATE	FIVE-PLACE (IN.XXX.XXX)	0.00005
DATE	SIX-PLACE (IN.XXX.XXX.X)	0.00001
DATE	SEVEN-PLACE (IN.XXX.XXX.XX)	0.000005
DATE	EIGHT-PLACE (IN.XXX.XXX.XXX)	0.000001
DATE	NINE-PLACE (IN.XXX.XXX.XXX.X)	0.0000005
DATE	TEN-PLACE (IN.XXX.XXX.XXX.XX)	0.0000001
DATE	ELEVEN-PLACE (IN.XXX.XXX.XXX.XXX)	0.00000005
DATE	TWELVE-PLACE (IN.XXX.XXX.XXX.XXX.X)	0.00000001
DATE	THIRTEEN-PLACE (IN.XXX.XXX.XXX.XXX.XX)	0.000000005
DATE	FOURTEEN-PLACE (IN.XXX.XXX.XXX.XXX.XXX)	0.000000001
DATE	FIFTEEN-PLACE (IN.XXX.XXX.XXX.XXX.XXX.X)	0.0000000005
DATE	SIXTEEN-PLACE (IN.XXX.XXX.XXX.XXX.XXX.XX)	0.0000000001
DATE	SEVENTEEN-PLACE (IN.XXX.XXX.XXX.XXX.XXX.XXX)	0.00000000005
DATE	EIGHTEEN-PLACE (IN.XXX.XXX.XXX.XXX.XXX.XXX.X)	0.00000000001
DATE	NINETEEN-PLACE (IN.XXX.XXX.XXX.XXX.XXX.XXX.XX)	0.000000000005
DATE	TWENTY-PLACE (IN.XXX.XXX.XXX.XXX.XXX.XXX.XXX)	0.000000000001
DATE	UNDESIGNED TOLERANCES ARE:	
DATE	WHOLE DIM (IN)	F
DATE	ONE-PLACE (IN.XI)	.
DATE	TWO-PLACE (IN.XXX)	0.005
DATE	THREE-PLACE (IN.XXX.X)	0.0005
DATE	FOUR-PLACE (IN.XXX.XX)	0.0001
DATE	FIVE-PLACE (IN.XXX.XXX)	0.00005
DATE	SIX-PLACE (IN.XXX.XXX.X)	0.00001
DATE	SEVEN-PLACE (IN.XXX.XXX.XX)	0.000005
DATE	EIGHT-PLACE (IN.XXX.XXX.XXX)	0.000001
DATE	NINE-PLACE (IN.XXX.XXX.XXX.X)	0.0000005
DATE	TEN-PLACE (IN.XXX.XXX.XXX.XX)	0.0000001
DATE	ELEVEN-PLACE (IN.XXX.XXX.XXX.XXX)	0.00000005
DATE	TWELVE-PLACE (IN.XXX.XXX.XXX.XXX.X)	0.00000001
DATE	THIRTEEN-PLACE (IN.XXX.XXX.XXX.XXX.XX)	0.000000005
DATE	FOURTEEN-PLACE (IN.XXX.XXX.XXX.XXX.XXX)	0.000000001
DATE	FIFTEEN-PLACE (IN.XXX.XXX.XXX.XXX.XXX.X)	0.0000000005
DATE	SIXTEEN-PLACE (IN.XXX.XXX.XXX.XXX.XXX.XX)	0.0000000001
DATE	SEVENTEEN-PLACE (IN.XXX.XXX.XXX.XXX.XXX.XXX)	0.00000000005
DATE	EIGHTEEN-PLACE (IN.XXX.XXX.XXX.XXX.XXX.XXX.X)	0.00000000001
DATE	NINETEEN-PLACE (IN.XXX.XXX.XXX.XXX.XXX.XXX.XX)	0.000000000005
DATE	TWENTY-PLACE (IN.XXX.XXX.XXX.XXX.XXX.XXX.XXX)	0.000000000001



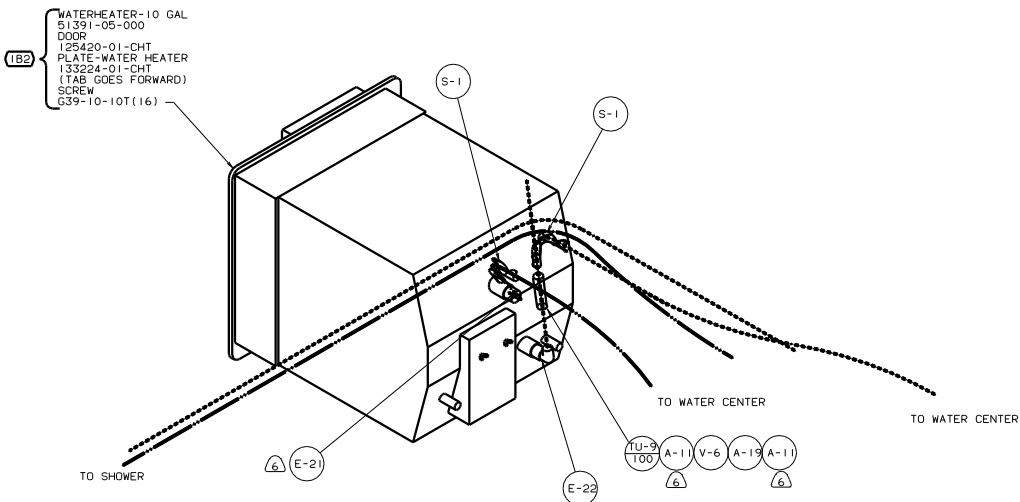
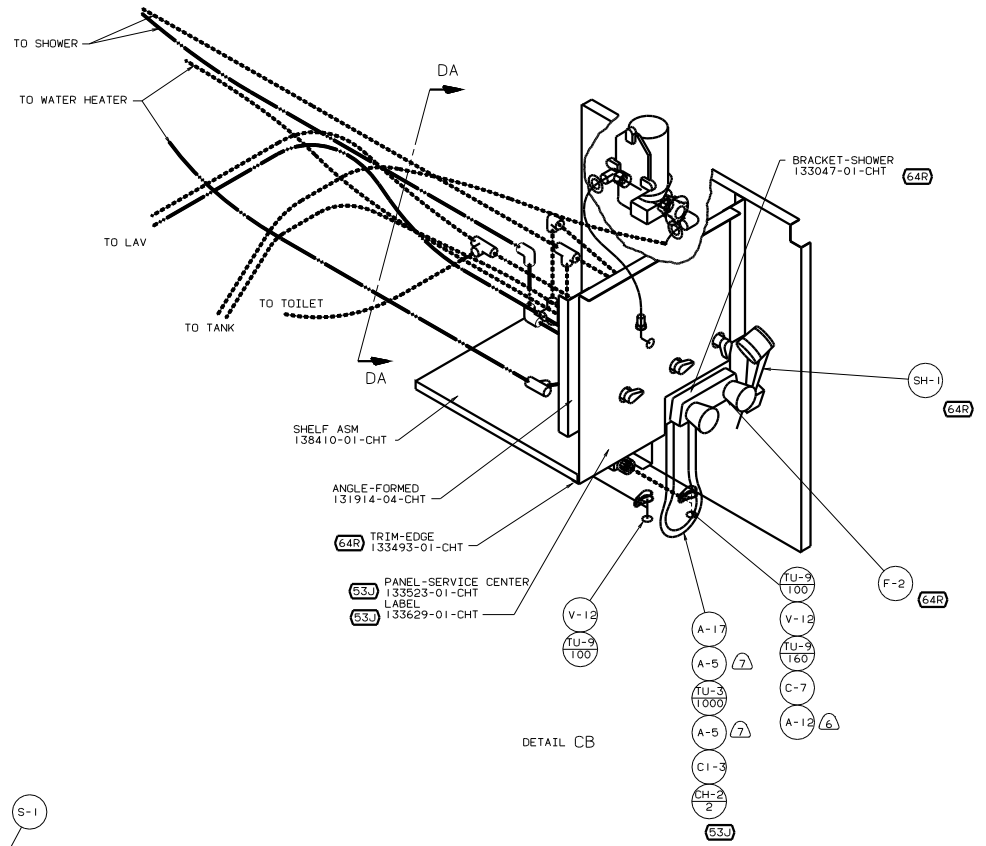
FILTER 29B
87200-01-000
CARTRIDGE
87200-02-000
SCREW
667-10-12U(2)

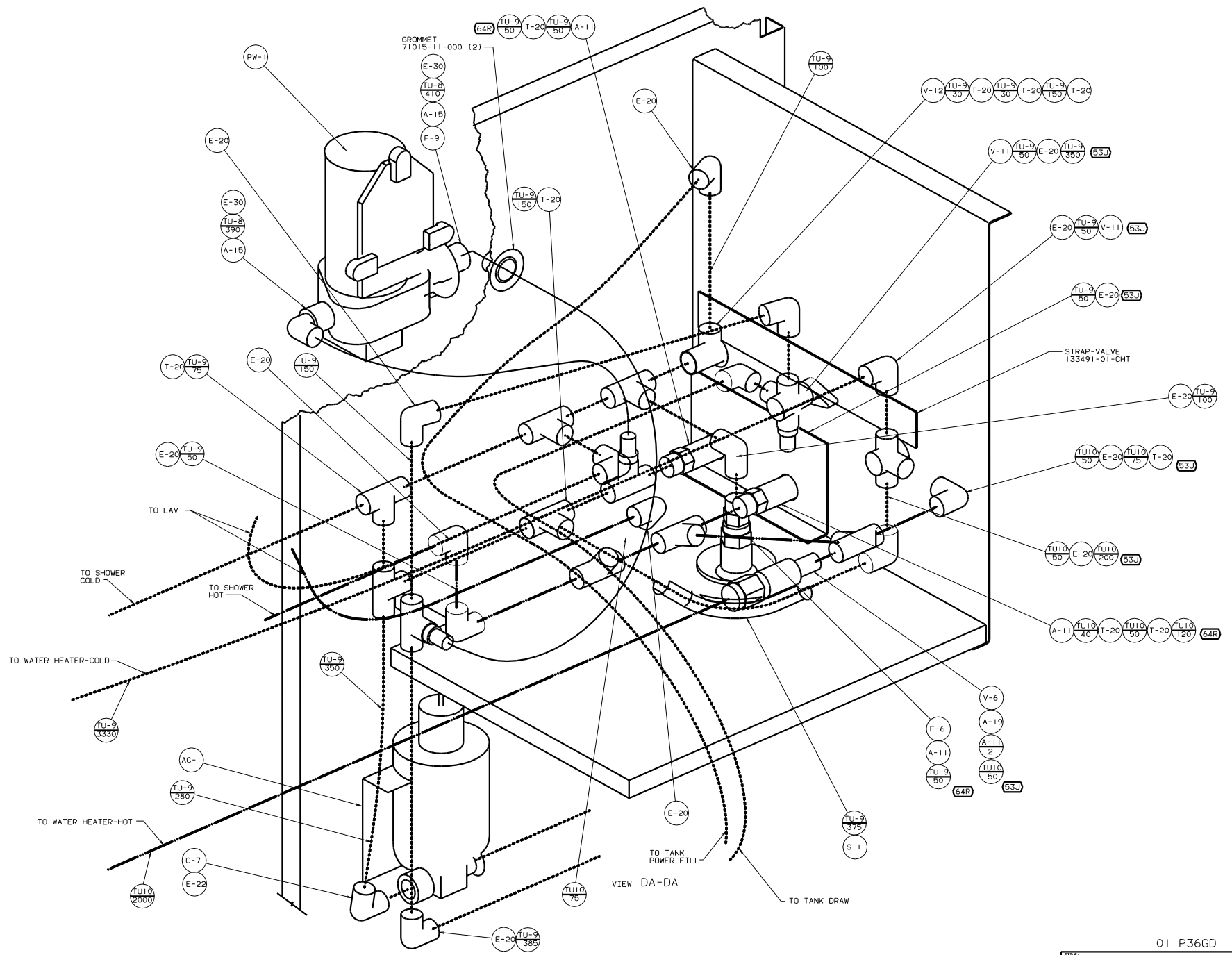


DETAIL BB



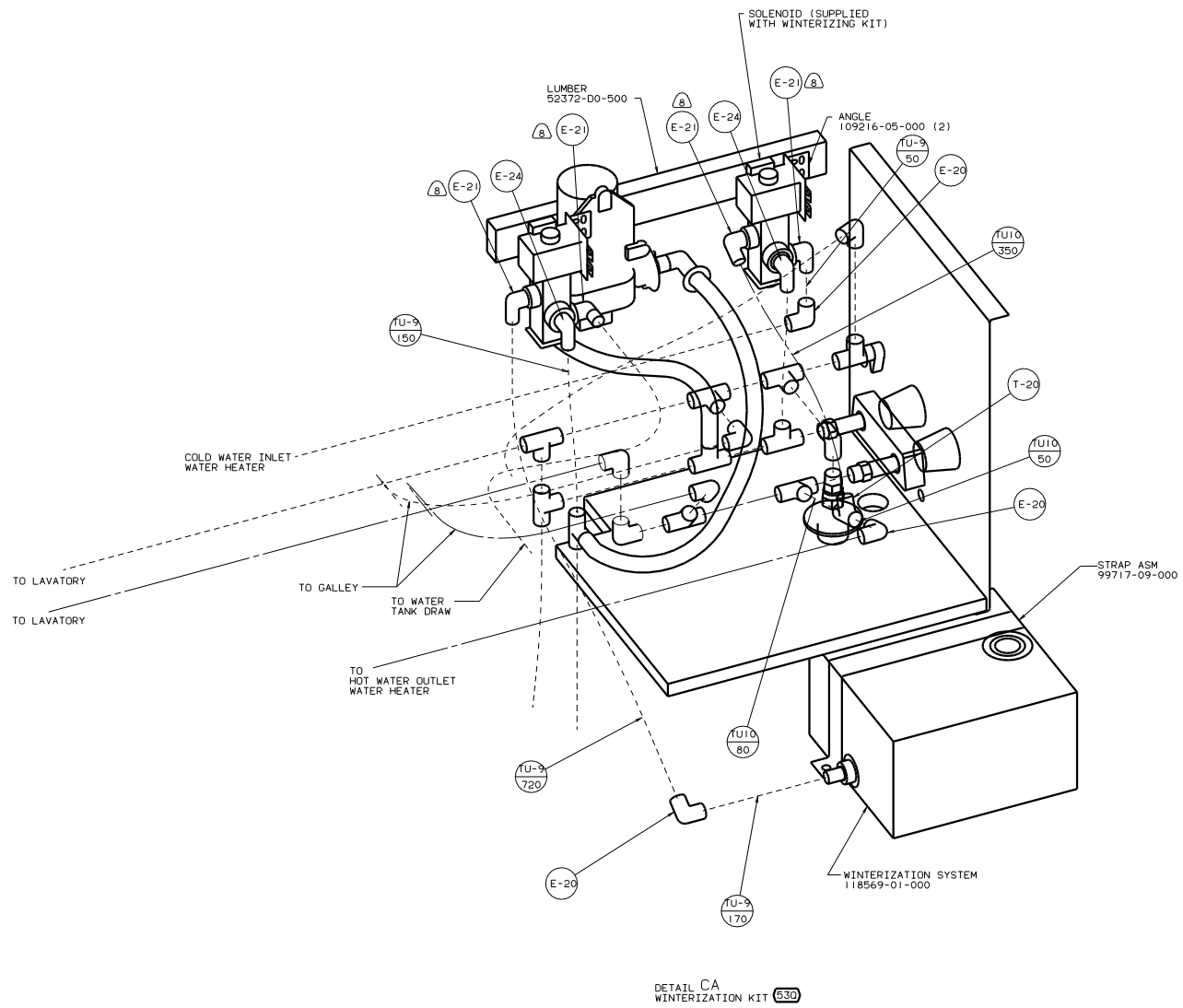
DETAIL BA 21M 54E





VIEW DA-DA

TITLE: WATER SYSTEM INSTL	
NO. OF SHEETS: 5	SHEET: 4 OF 5
REV: 1	DATE: 11/01/05
136565	



DETAIL CA
WINTERIZATION KIT 630

01 P36GD

TITLE		136565	
WATER SYSTEM INSTL			
NO. OF SHEETS	TOT. SHEETS	REV.	DATE
5 of 5	5	1.0	