

10 VENT PIPE MUST PROJECT 51 MIN AND 63.5 MAX ABOVE ROOF FOR PROPER FIT AND FUNCTION.
 9. FASTEN TO BOTTOM OF UPPER FLOOR.

7. TRIM TO FIT.
6. FOR CANADIAN UNITS EACH HOLDING TANK SHALL HAVE A CSA APPROVAL STAMPED NEAR THE IAMPO APPROVAL.
5. SEAL AROUND SHOWER WITH SILICONE.
4. ALL EXTERIOR OPENINGS AROUND PIPE TO BE SEALED WITH 110744-01-000.
3. ALL PIPE AND FITTINGS TO BE ASSEMBLED WITH SOLVENT 4020-01-000.
2. SLOPE OF TRAP ARM MUST BE 6 PER 305 MM.
1. SLOPE OF HORIZONTAL PIPING TO BE 6 PER 305 MM.

NOTES:

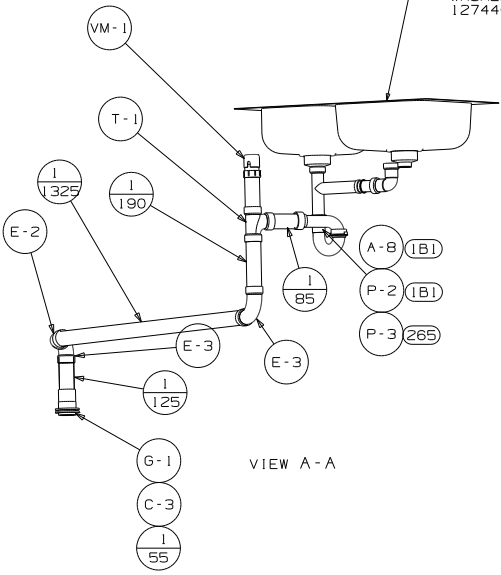
- (54E) WASHER/DRYER
- (21T) WASHER/DRYER W/O
- (21M) WASHER/DRYER PREP
- (430) TOILET PORCELAIN-ROUND
- (265) CODES/STDS-CSA/CMVSS
- (1B1) CODES/STANDARDS-USA

WINNEBAGO	
DTR	ORIG. DATE 04/04/00
CHR	ALL DIMENSIONS ARE IN MILLIMETERS
P.E.	FIRST USED
W.E.	01 P36CD
DWR	
UNSPECIFIED TOLERANCES ARE:	
SIZE DIM (X)	MATERIAL
ONE-PLACE (X,XX)	7
TWO-PLACE (X,XXX)	
ANGLE	
THIRD ANGLE PROJECTION	
DO NOT SCALE DRAWING	
TITLE: DRAINAGE SYSTEM INSTL	
SHEET 1 of 3 PART NO 135476	

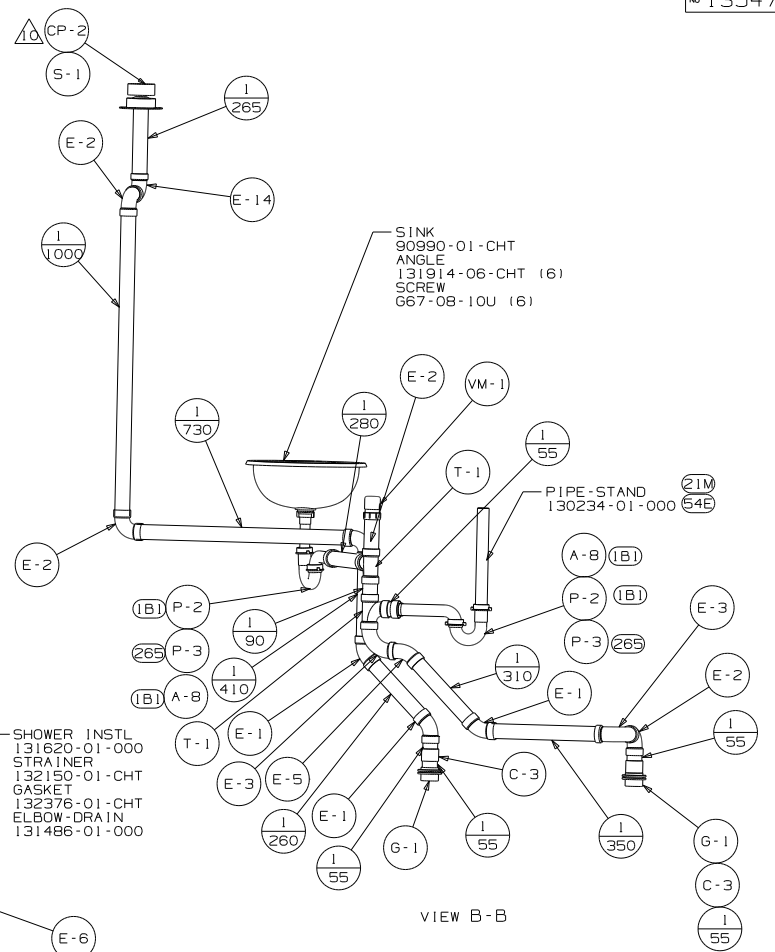
(X-X)	FOR
	DRAINAGE
	CALLOUTS
	SEE DWG NO 116229-01-000

DETAIL D

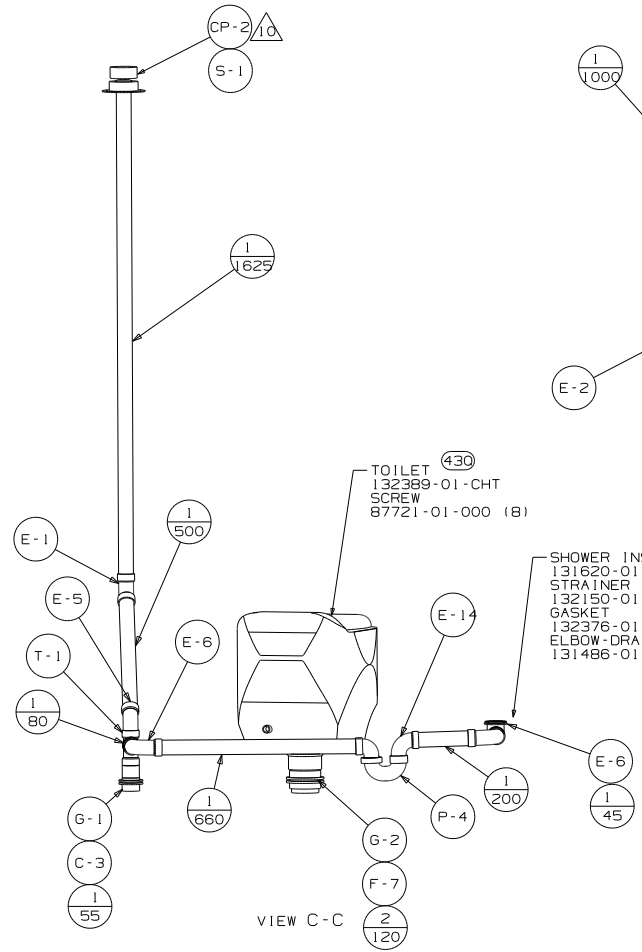
SINK-SST, DOUBLE
 110654-01-000 (US/CAN)
 STRAINER
 92303-01-000 (2)
 SEAL 91255-02-000 (A/R)
 91828-01-CHT
 93699-15-CHT
 93699-19-CHT (3)
 WASHER-RUBBER
 127440-02-CHT (2)



VIEW A-A

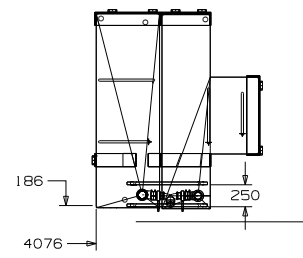
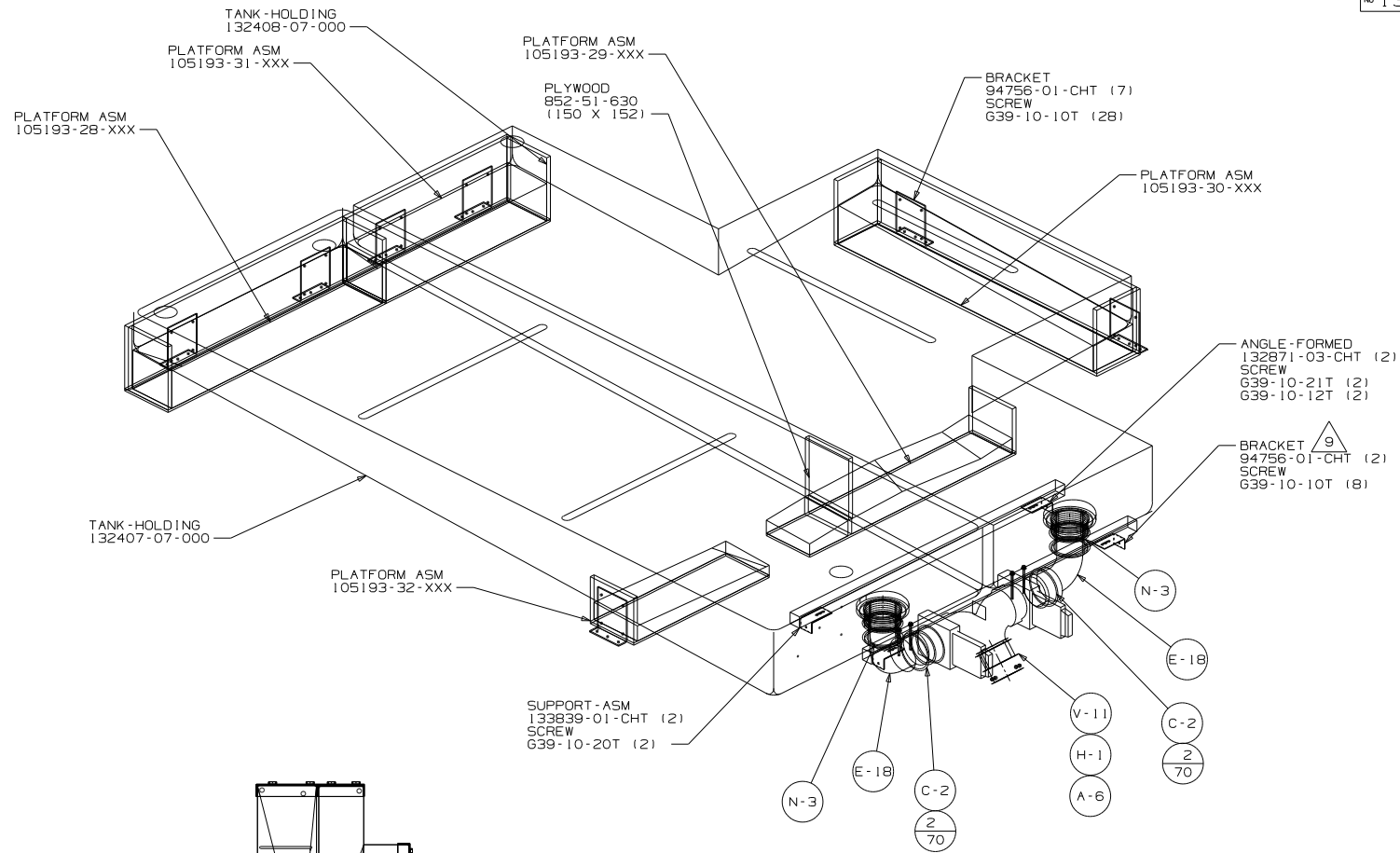


VIEW B-B

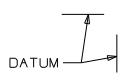


VIEW C-C

FIRST USED	01 P36CD
DO NOT SCALE DRAWING	
TITLE: DRAINAGE SYSTEM INSTL	
SHEET 2 of 3	PART NO 135476

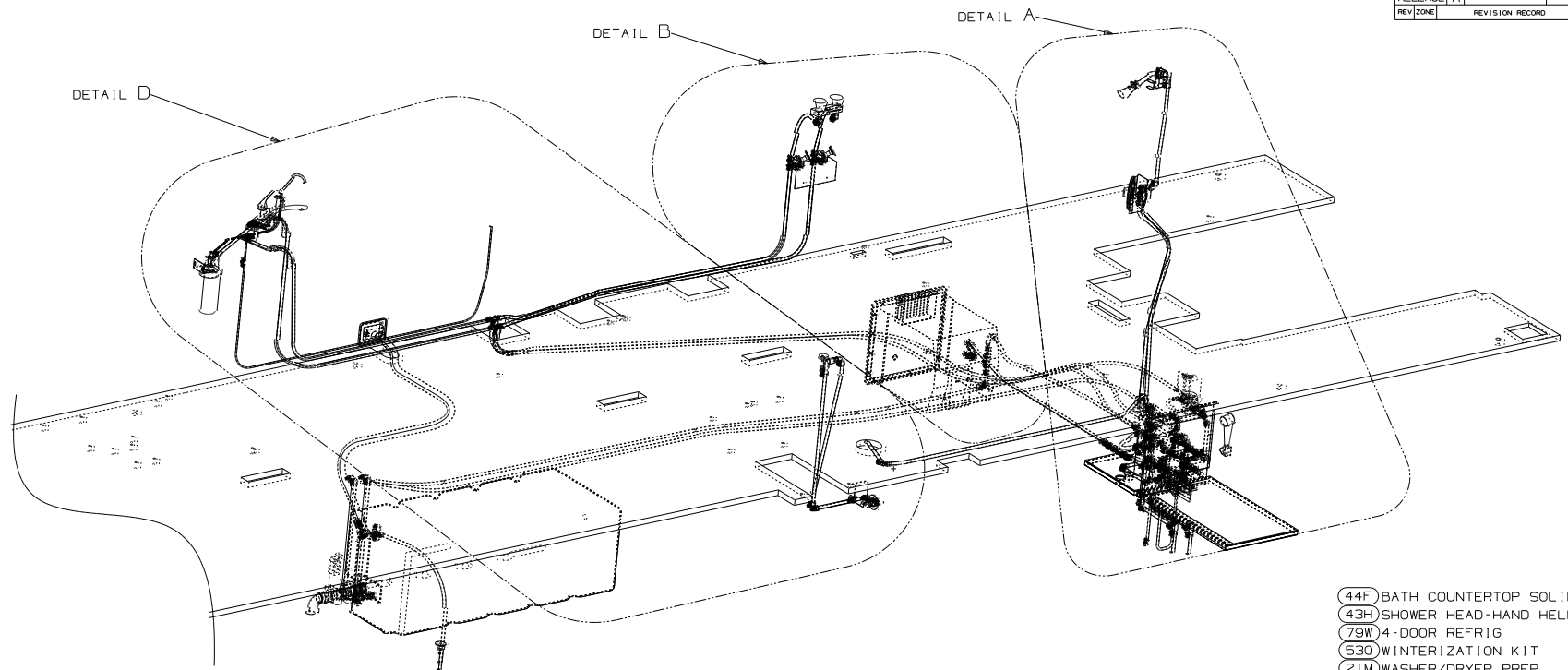


←
FRONT OF VEHICLE



DETAIL D

FIRST USED	01 P36CD
DO NOT SCALE DRAWING	
TITLE: DRAINAGE SYSTEM INSTL	
SHEET 3 of 3	PART NO 135476



- (44F) BATH COUNTERTOP SOLID SURFACE
- (43H) SHOWER HEAD-HAND HELD
- (79W) 4-DOOR REFRIG
- (53O) WINTERIZATION KIT
- (21M) WASHER/DRYER PREP
- (54E) WASHER DRYER
- (64R) EXTERIOR WASH STATION
- (53J) WATER HEATER BY-PASS-VALVE
- (1B2) WTR HTR-10GAL/ELEC/LP/MTAID
- (29B) WATER PURIFIER
- (15U) REFRIGERATOR/FRZR W/ICEMAKER

- 7. APPLY DECAL INSIDE OR UPPER SHOWER HEAD HOLDER TO RETAIN SHOWER HEAD UNIT INSIDE OF HOLDER.
- 6. ADD TEFLON TAPE 10405-03-000 TO FITTING.
- 5. ADD TEFLON TAPE 10405-02-000 TO FITTING.
- 4. FLUSHING SYSTEM REQUIRES 125697-06-000 INSTRUCTION SHEET.
- 3. ALL TUBING TO BE SECURED AT 1200 INTERVALS MAXIMUM WITH CLAMP 10495-01-000 OR CLIP 9151-01-000 AND SCREW 667-10-12B.
- 2. TUBING TO BE INSTALLED WITH SUFFICIENT SLOPE TO PROVIDE DRAINAGE TO NEAREST VALVE.
- 1. PLASTIC FITTINGS TO BE SEALED WITH SEALANT 84456-01-000

WINNEBAGO

DTR	ORIG. DATE	04/11/00
CHR	ALL DIMENSIONS ARE IN MILLIMETERS	
P.E.	FIRST USED	
W.R.	01 P36CD	
DTR		

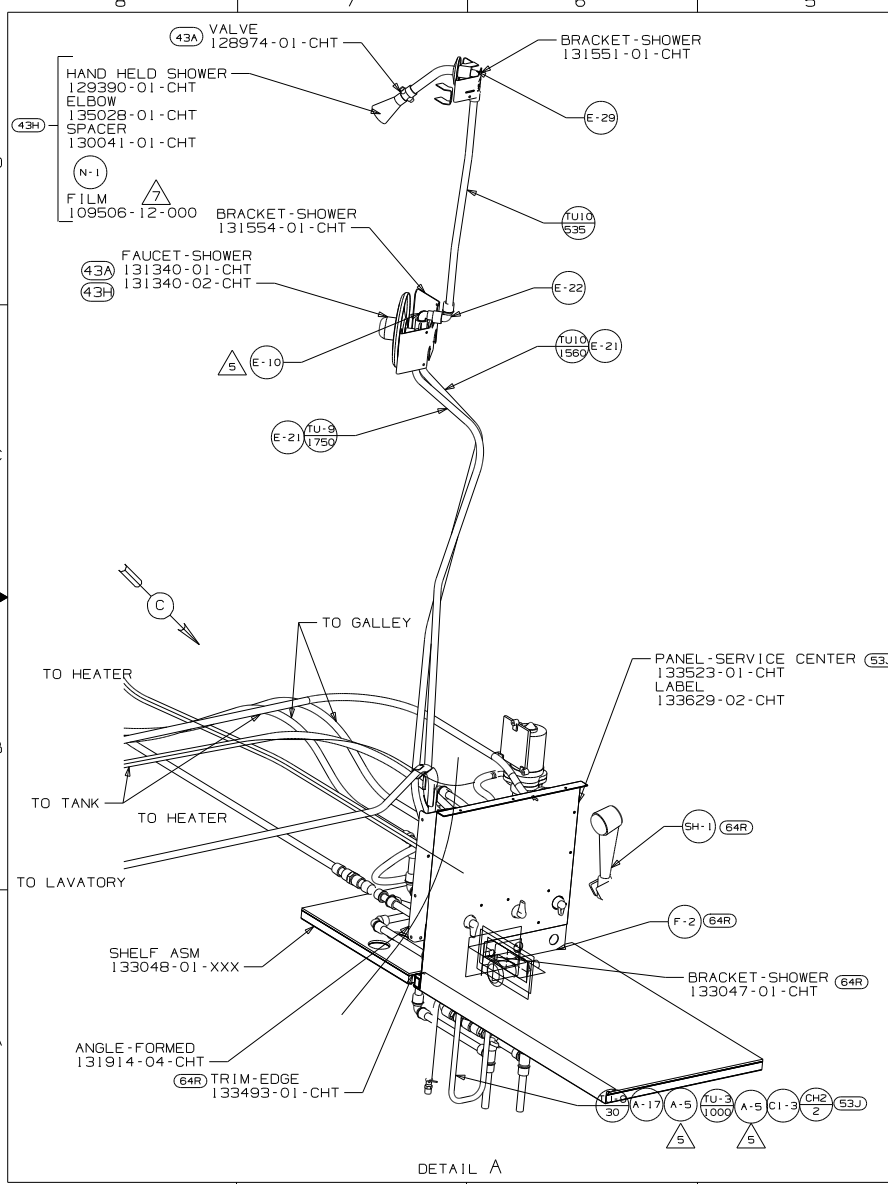
UNSPECIFIED TOLERANCES ARE:	MATERIAL
HOLES DIA (X)	+
ONE-PLACE (X, X1)	+
TWO-PLACE (X, X1)	+
ANGLE	+
THIRD ANGLE PROJECTION	

DO NOT SCALE DRAWING

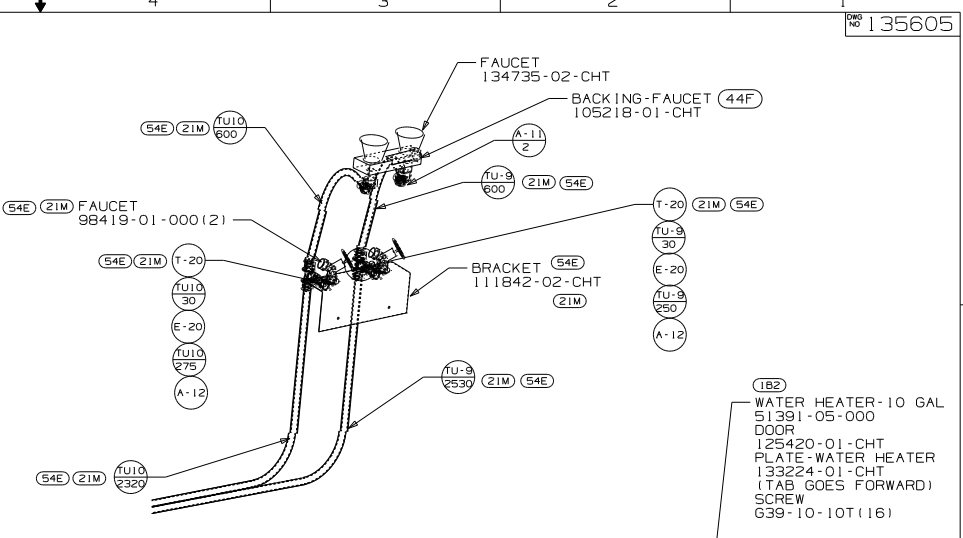
TITLE	WATER SYSTEM INSTL
SHEET 1 of 4	PART NO 135605

FOR WATER CALLOUTS SEE DWG NO. 116230-01-000

(X-X)

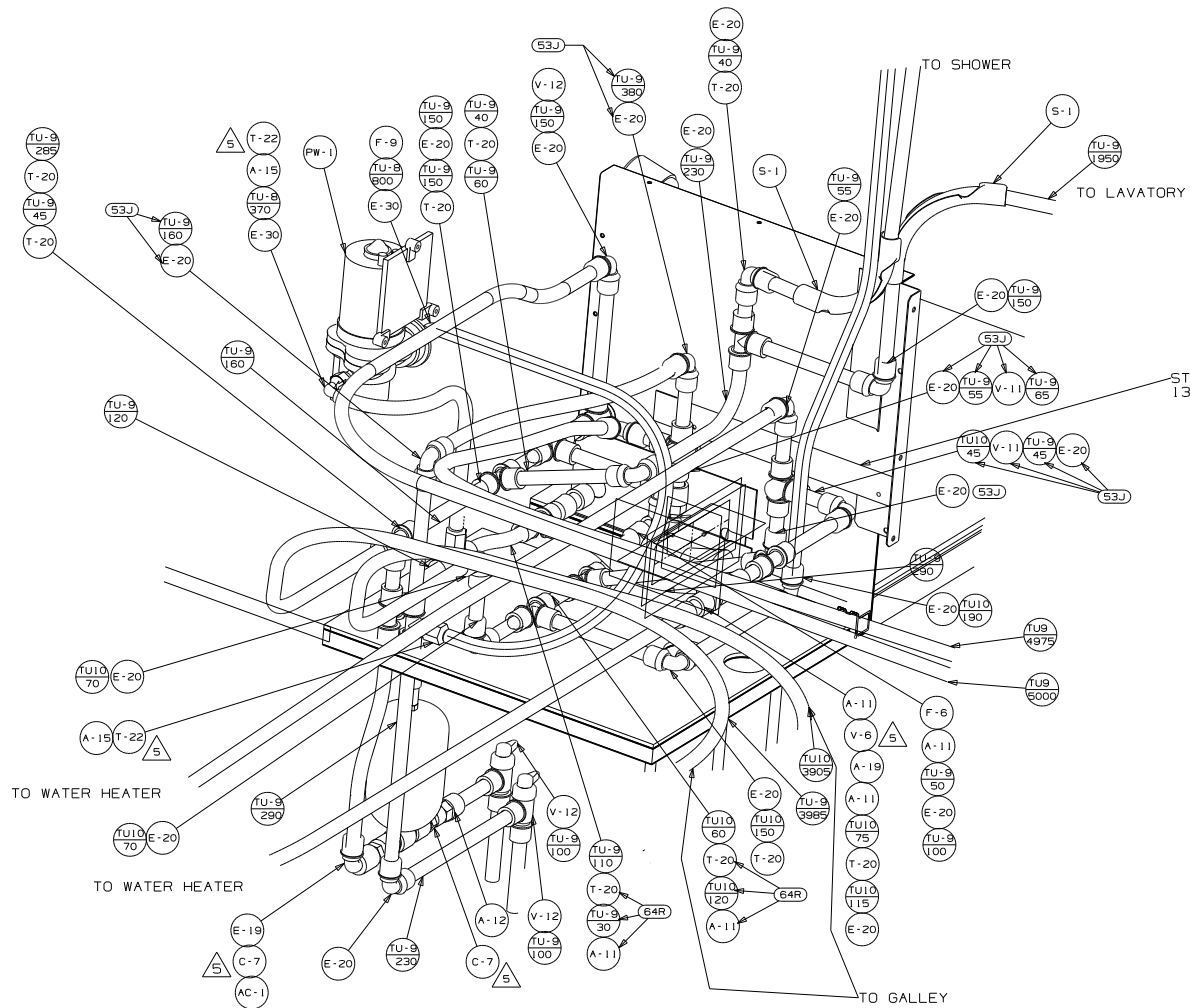


DETAIL A



DETAIL B

FIRST USED		01 P36CD	
DO NOT SCALE DRAWING			
TITLE WATER SYSTEM INSTL			
SHEET 2	4	PART NO	135605



VIEW C

PART USED		01 P36CD	
DO NOT SCALE DRAWING			
TITLE: WATER SYSTEM INSTL			
SHEET	3	PART NO	135605

