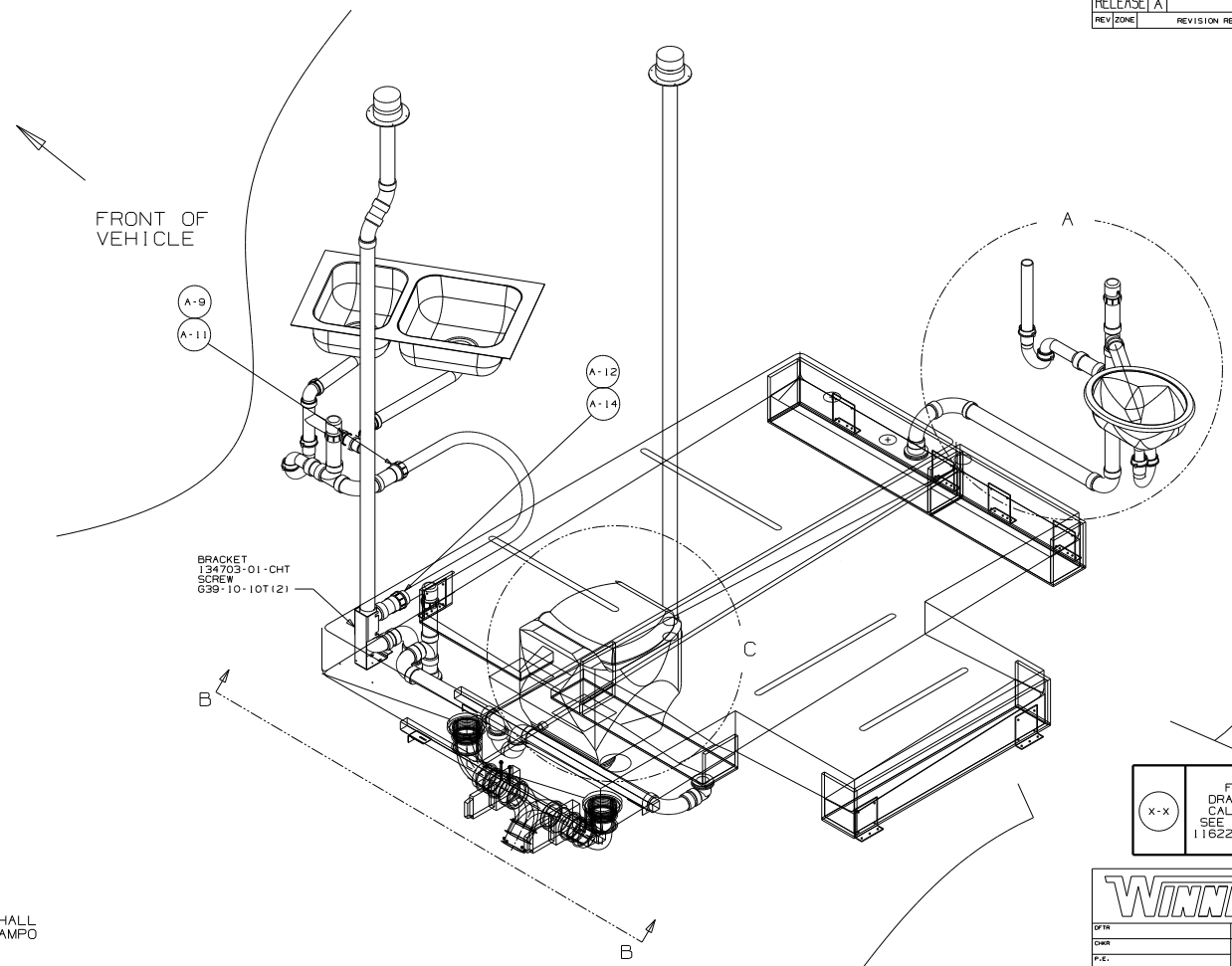


DWG NO	----
136497-01	ITA
136497-02	WIN

RELEASE	REV/DATE	DWG NO
A		136497
REV/ZONE	REVISION RECORD	DATE
		DTR-016



9 VENT PIPE MUST PROJECT 51 MIN AND 63.5 MAX ABOVE ROOF FOR PROPER FIT AND FUNCTION.

8 FASTEN TO BOTTOM OF UPPER FLOOR.

7 TRIM TO FIT

6. FOR CANADIAN UNITS EACH HOLDING TANK SHALL HAVE A CSA APPROVAL STAMPED NEAR THE TAMPO APPROVAL.

5. SEAL AROUND SHOWER WITH SILICONE.

4. ALL EXTERIOR OPENINGS AROUND PIPE TO BE SEALED WITH 110744-01-000.

3. ALL PIPE AND FITTINGS TO BE ASSEMBLED WITH SOLVENT 4020-01-000.

2. SLOPE OF TRAP ARM MUST BE 6 PER 305 MM.

1. SLOPE OF HORIZONTAL PIPING TO BE 6 PER 305 MM.

NOTES:

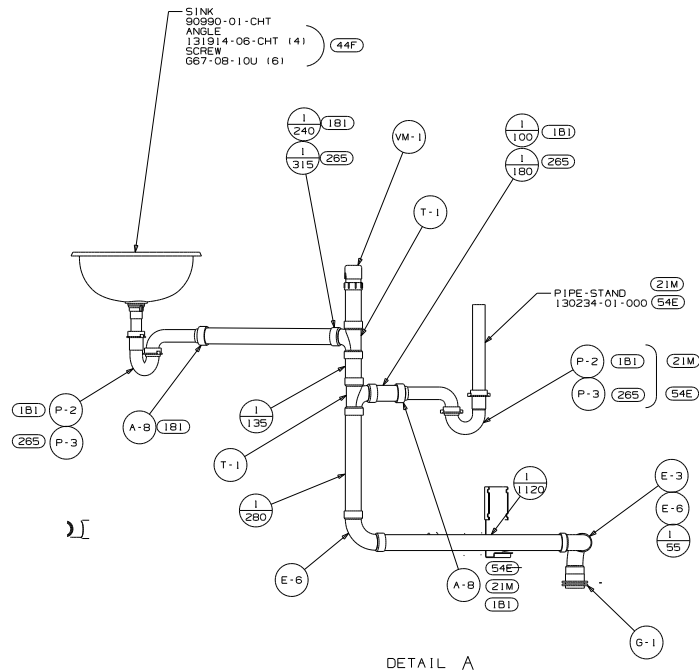
- 43M TOILET-PORCELAIN ELONGATED
- ITA ITASCA ONLY
- WIN WINNEBAGO ONLY
- 44F COUNTERTOP-SOLID SURFACE-BATH
- 44A COUNTERTOP-LAMINATE-BATH

- 54E WASHER/DRYER
- 21M WASHER/DRYER PREP
- 43D TOILET PORCELAIN-ROUND
- 26S CODES/STDS-CSA/CMVSS
- 1B1 CODES/STANDARDS-USA

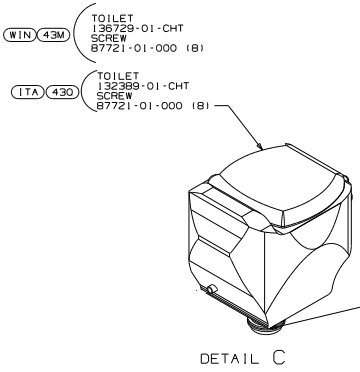
X-X FOR DRAINAGE CALLOUTS SEE DWG NO. 116229-01-000

WINNEBAGO

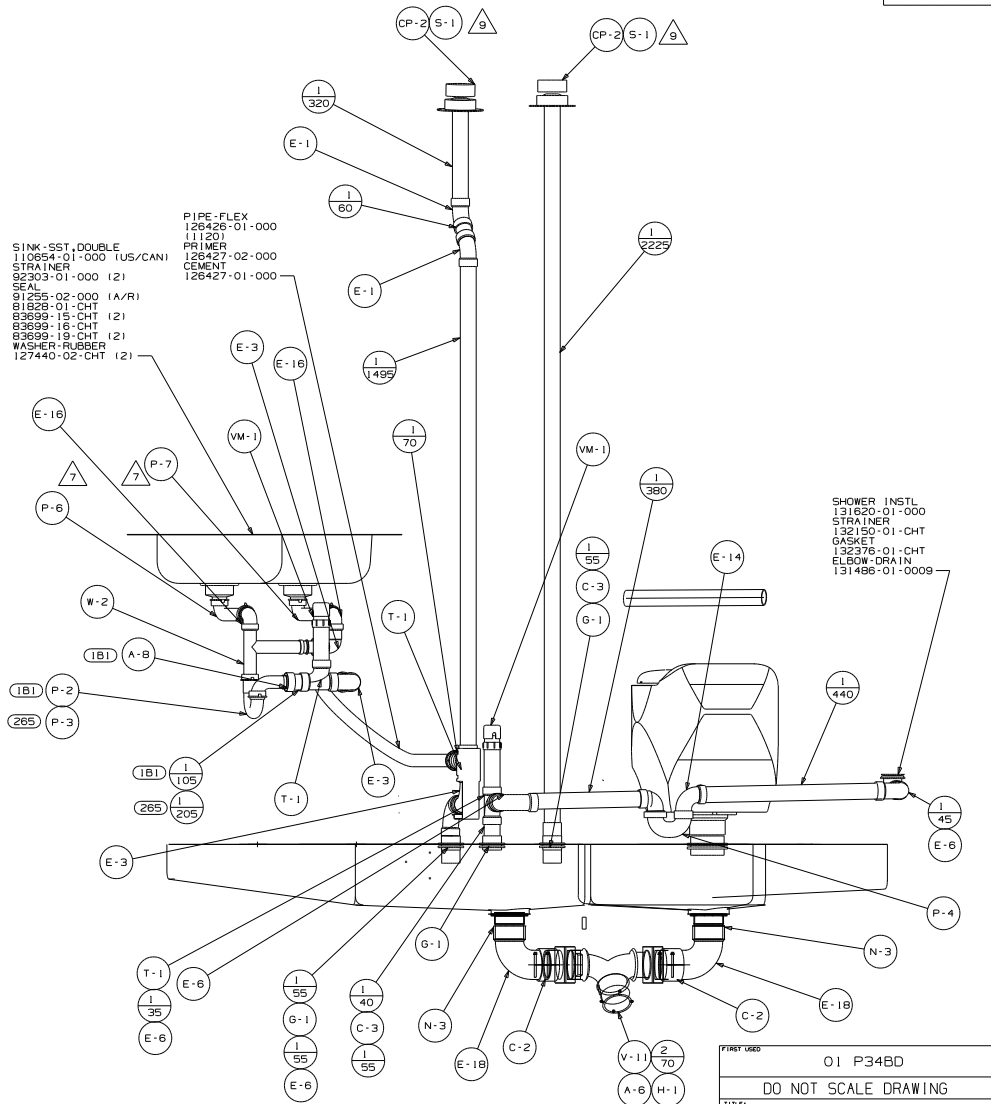
DTR	ORIG. DATE	05/01/00
CHR	ALL DIMENSIONS ARE IN MILLIMETERS	
P.E.	FIRST USED	
W.E.	01 P34BD	
DWR	MATERIAL	
UNSPECIFIED TOLERANCES ARE:		
HOSE DIA (X)	+ .7	
ONE-PLACE (X,XX)	+	
TWO-PLACE (X,XX)	+	
ANGLE	+	
THIRD ANGLE PROJECTION		
DO NOT SCALE DRAWING		
TITLE: DRAINAGE SYSTEM INSTL		
SHEET 1 of 3	PART NO	136497



DETAIL A

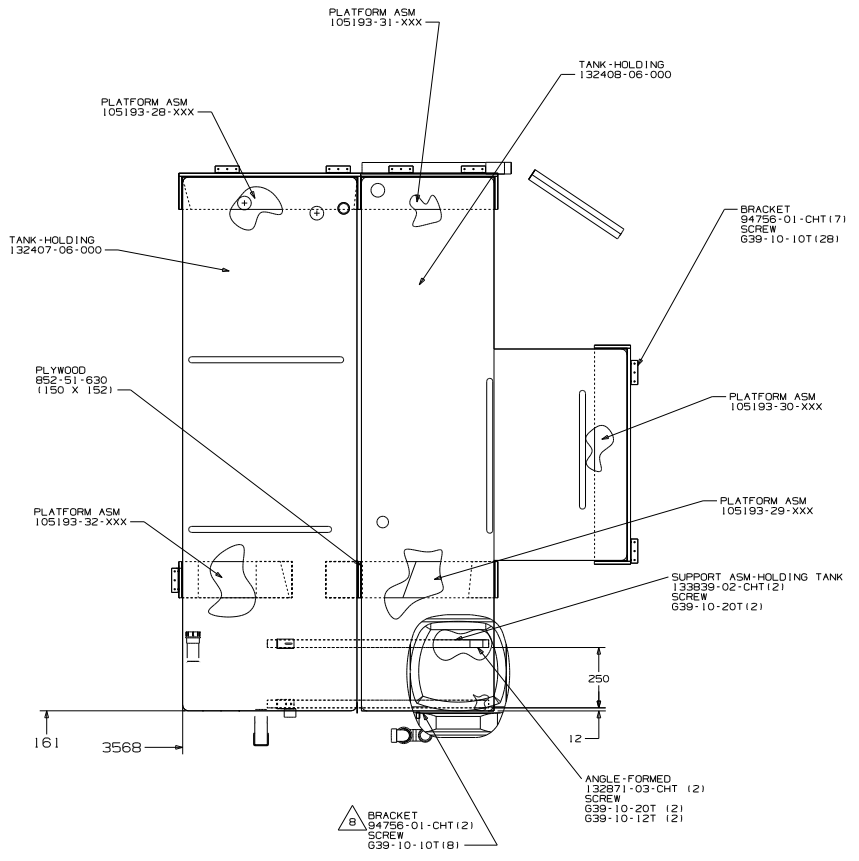
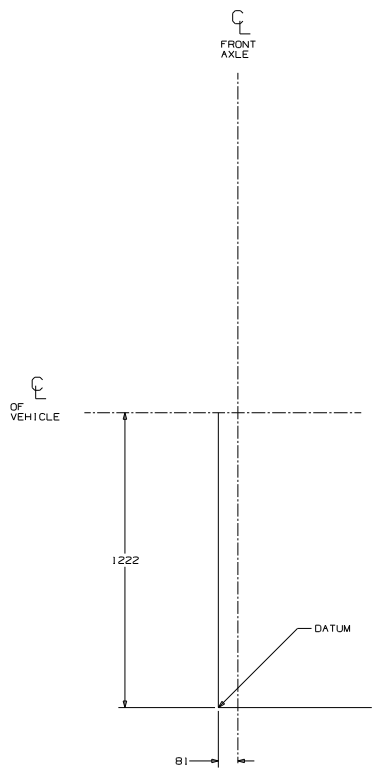


DETAIL C



VIEW B-B

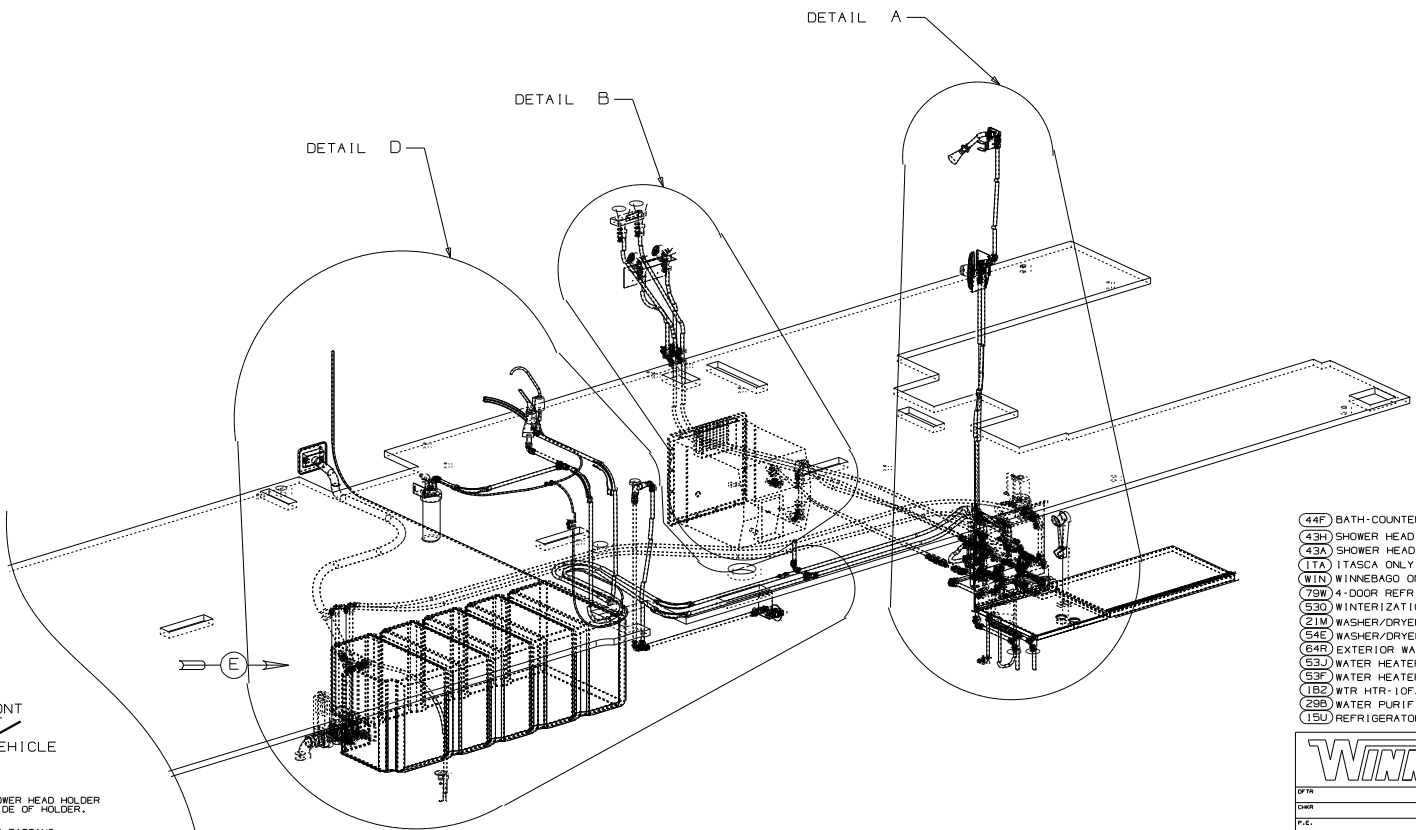
FIRST USED	01 P34BD
DO NOT SCALE DRAWING	
TITLE:	DRAINAGE SYSTEM INSTL
SHEET 2 of 3	FIG. NO 136497



FIRST USED	01 P34BD
DO NOT SCALE DRAWING	
TITLE: DRAINAGE SYSTEM INSTL	
SHEET 3 of 3	DWG NO 136497

DWG NO
136433-01	ITA
136433-02	WIN

REV. DATE	REV. DATE	DWG NO	136433
REV. ZONE	REVISION RECORD	DATE	DTR-016

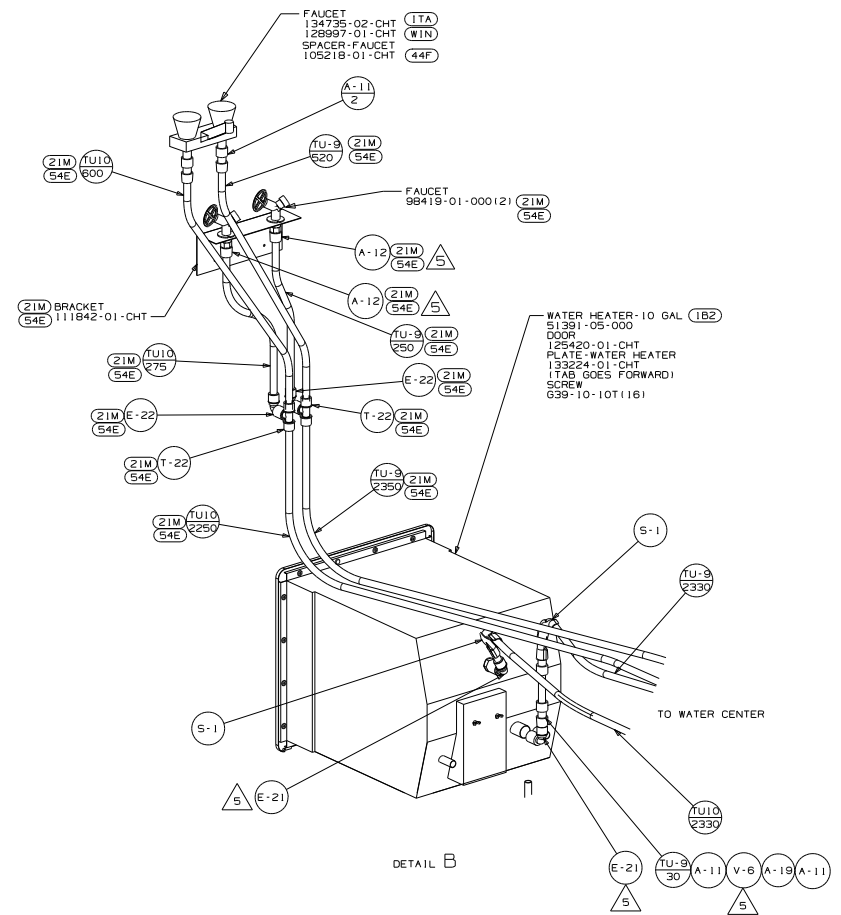
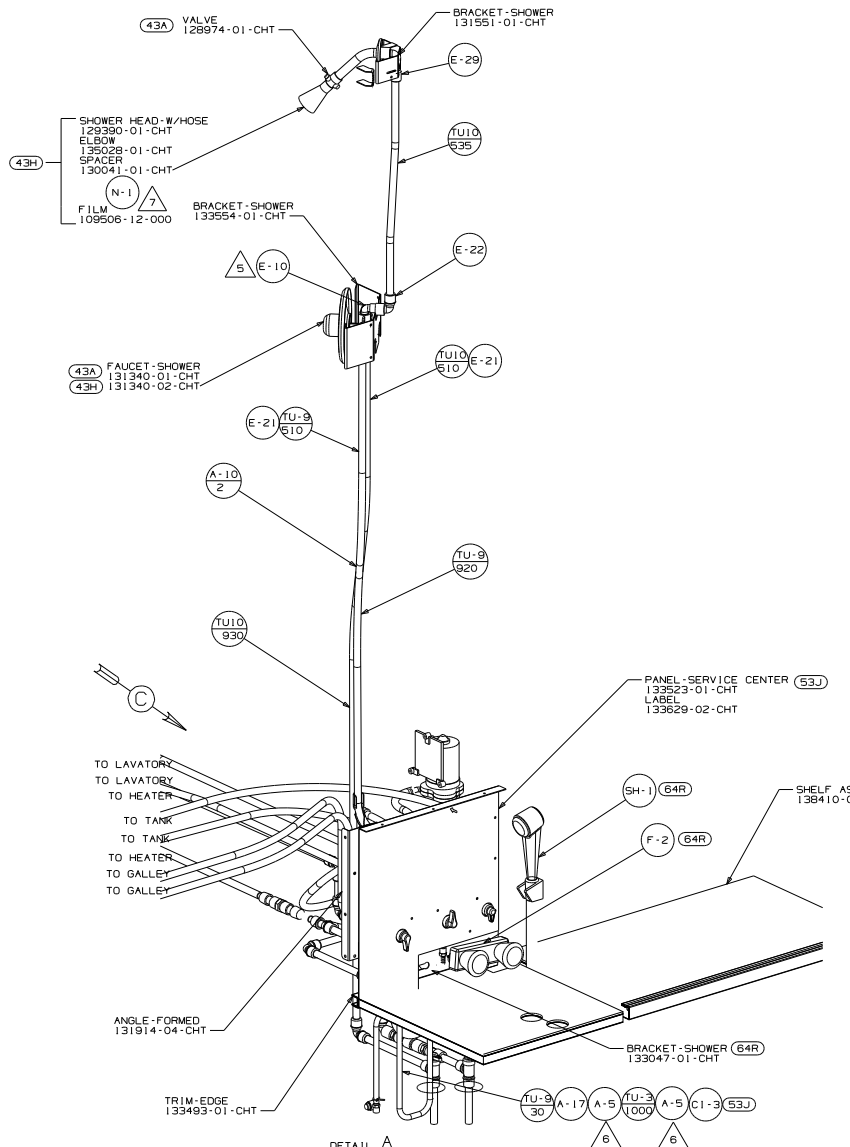


- (44F) BATH-COUNTERTOP SOLID SURFACE
- (43H) SHOWER HEAD-HAND HELD
- (43A) SHOWER HEAD-FIXED
- (1TA) ITASCA ONLY
- (WIN) WINNEBAGO ONLY
- (79W) 4-DOOR REFRIG
- (530) WINTERIZATION KIT
- (21M) WASHER/DRYER PREP
- (54E) WASHER/DRYER
- (64R) EXTERIOR WASH STATION
- (53J) WATER HEATER BY-PASS-VALVE
- (53P) WATER HEATER-ELEC. IGNITION
- (18Z) WTR HTR-10FAL/ELEC/LP/MTR/10
- (29B) WATER PURIFIER
- (15U) REFRIGERATOR/FRZR W/ICE MAKER

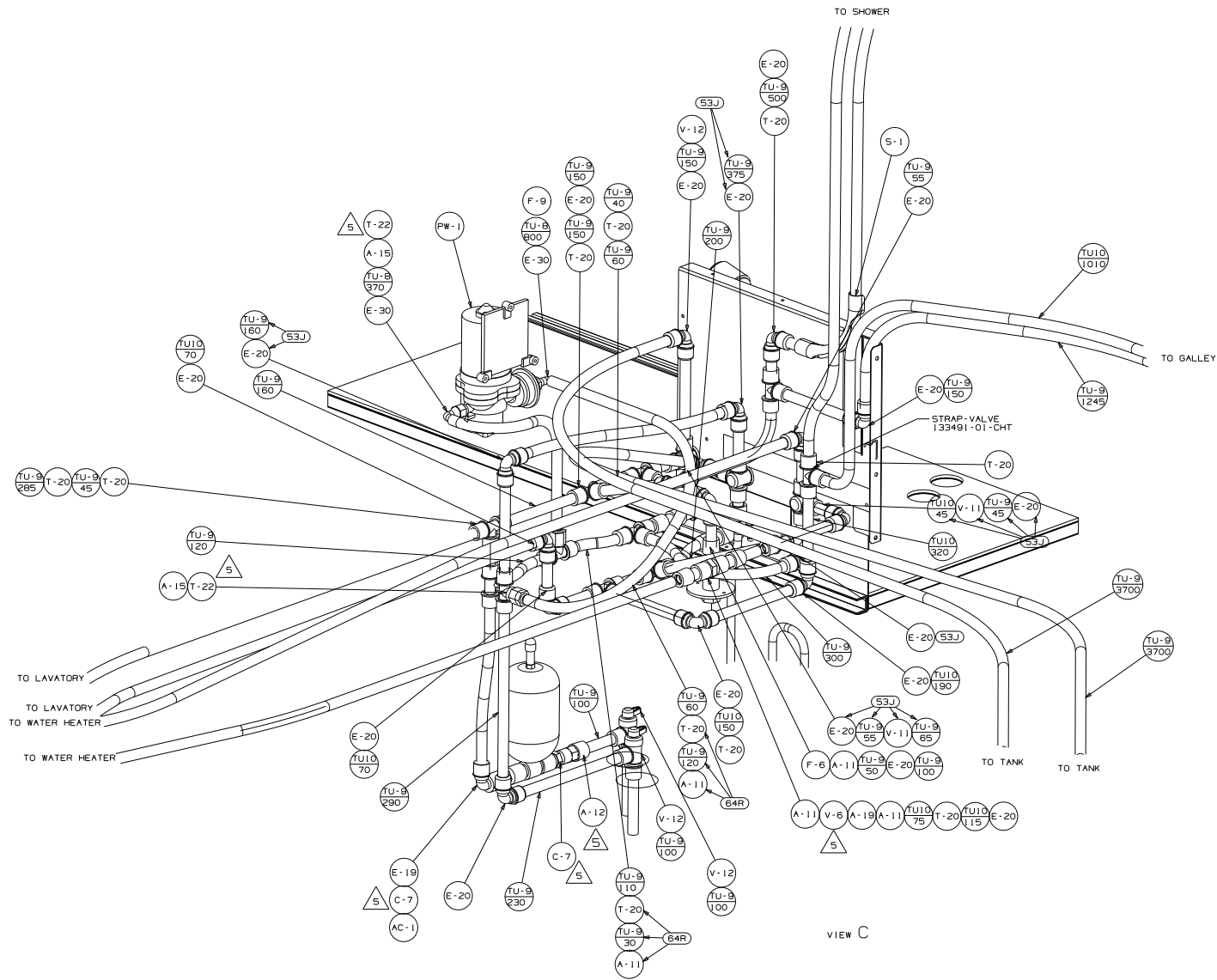
- 7. APPLY DECAL INSIDE OF UPPER SHOWER HEAD HOLDER TO RETAIN SHOWER HEAD UNIT INSIDE OF HOLDER.
- 6.A. ADD TEFLON TAPE 10405-03-000 TO FITTING.
- 6.B. ADD TEFLON TAPE 10405-02-000 TO FITTING.
- 4. FLUSHING SYSTEM REQUIRES 125697-06-000 INSTRUCTION SHEET.
- 3. ALL TUBING TO BE SECURED AT 1200 INTERVALS MAXIMUM WITH CLAMP 10495-01-000 OR CLIP 9151-01-000 AND SCREW 667-10-12B.
- 2. TUBING TO BE INSTALLED WITH SUFFICIENT SLOPE TO PROVIDE DRAINAGE TO NEAREST VALVE.
- 1. PLASTIC FITTINGS TO BE SEALED WITH SEALANT 84456-01-000.

X-X	FOR
	WATER CALLOUTS SEE DWG NO 116230-01-000

WINNEBAGO	
DTR	ORIG. DATE 04/17/00
CHR	ALL DIMENSIONS ARE IN MILLIMETERS
P.E.	FIRST USED
W.E.	01 P34BD
UNSPECIFIED TOLERANCES ARE:	
SIZE DIM (X)	MATERIAL
ONE-PLACE (X, X1)	± 1.5
TWO-PLACE (X, X1)	± 0.50
ANGLE	± 1°
THIRD ANGLE PROJECTION	
DO NOT SCALE DRAWING	
TITLE: WATER SYSTEM INSTL	
SHEET 1 of 1	PART NO 136433



FIRST USES		01 P34BD	
DO NOT SCALE DRAWING			
TITLE: WATER SYSTEM INSTL			
SHEET 2	PART NO	136433	



VIEW C

FIRST USED		01 P34BD	
DO NOT SCALE DRAWING			
TITLE: WATER SYSTEM INSTL			
SHEET 3	PART NO		136433

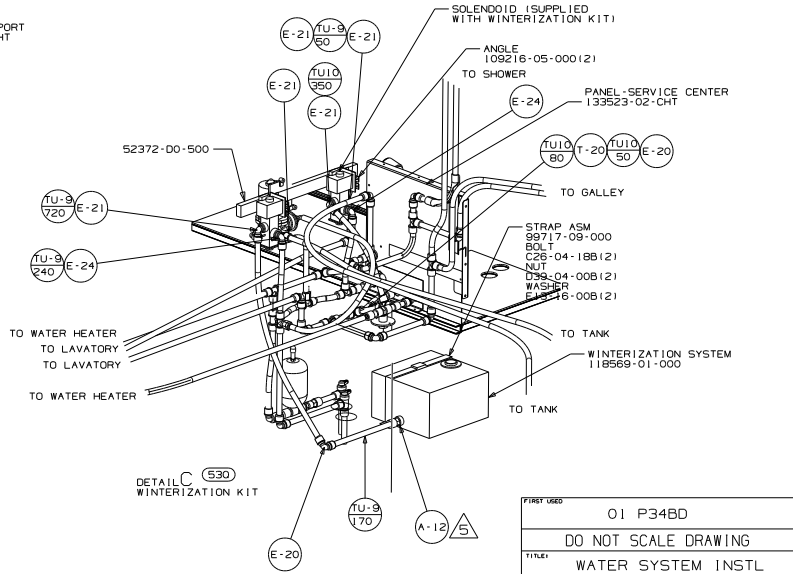
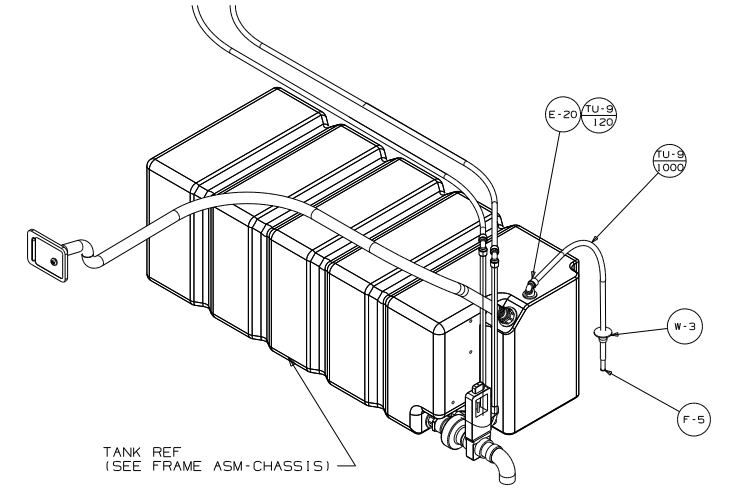
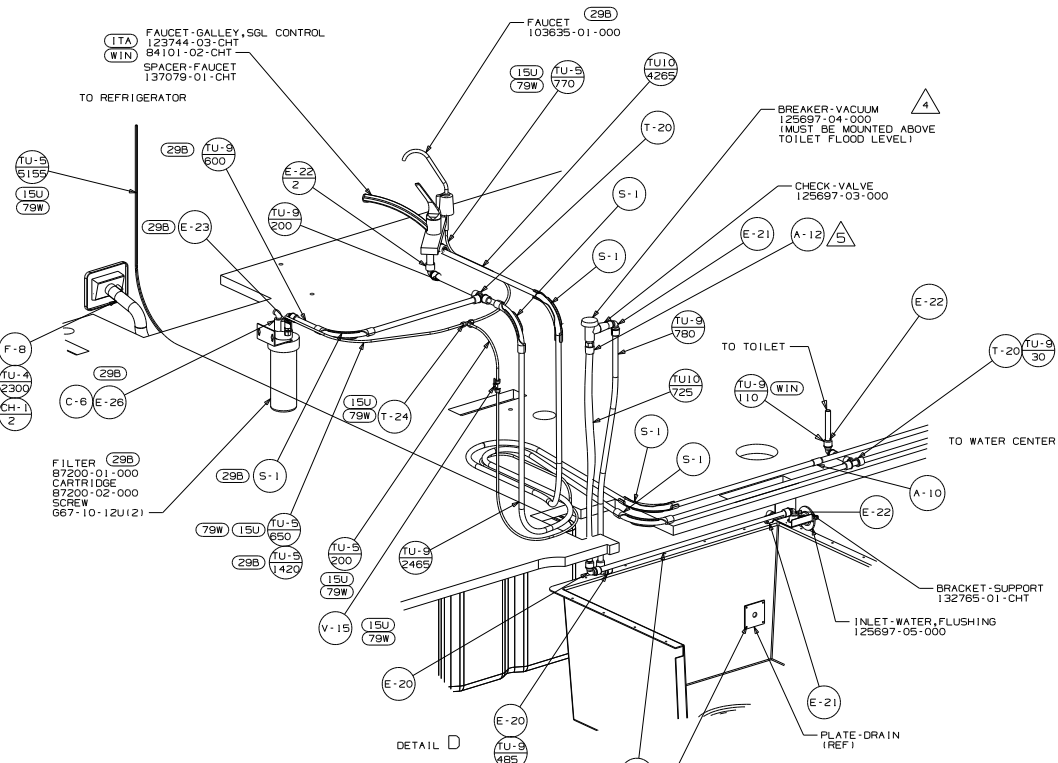


FIGURE	01 P34BD
TITLE	DO NOT SCALE DRAWING WATER SYSTEM INSTL
SHEET 4	PART NO 136433