

FRONT OF VEHICLE

BRACKET
134703-01-CHT
SCREW
G39-10-10T (2)

PIPE-STAND
130234-01-000

P-2 (1B1) (21M)
P-3 (265) (54E)

(54E) (21M) (1B1)
A-B

G-1 (1/55)
C-3 (1/55)
E-1 (1/55)
E-6 (1/60)

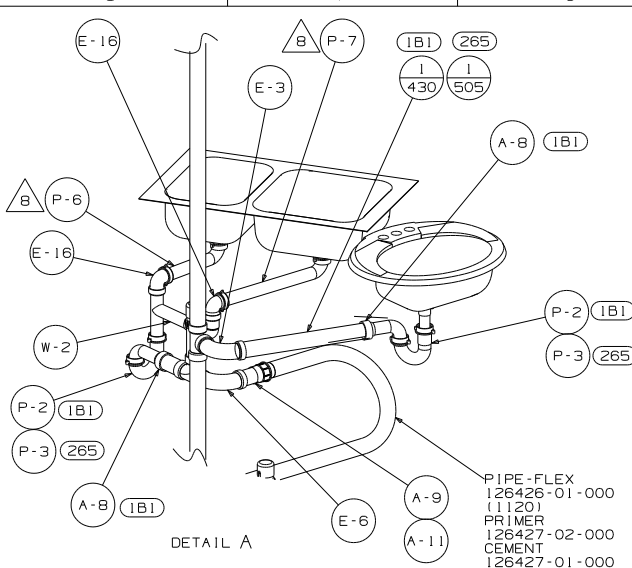
(54E) WASHER-DRYER
(21M) WASHER-DRYER PREP
(43E) TOILET PORCELAIN-ROUND
(265) CODES/STDS-CSA/CMVSS
(1B1) CODES/STANDARDS-USA

- △ 0 FASTEN TO BOTTOM OF UPPER FLOOR
- △ 9 VENT PIPE MUST PROJECT 51 MIN AND 64 MAX ABOVE ROOF FOR PROPER FIT AND FUNCTION.
- △ 8 TRIM TO FIT.

- 6. FOR CANADIAN UNITS EACH HOLDING TANK SHALL HAVE A CSA APPROVAL STAMPED NEAR THE IAMPO APPROVAL.
- 5. SEAL AROUND SHOWER WITH SILICONE.
- 4. ALL EXTERIOR OPENINGS AROUND PIPE TO BE SEALED WITH 110744-01-000.
- 3. ALL PIPE AND FITTINGS TO BE ASSEMBLED WITH SOLVENT 4020-01-000.
- 2. SLOPE OF TRAP ARM MUST BE 6 PER 305 mm.
- 1. SLOPE OF HORIZONTAL PIPING TO BE 6 PER 305 mm.

(X-X)
FOR DRAINAGE CALL OUTS SEE DWG NO. 116229-01-000

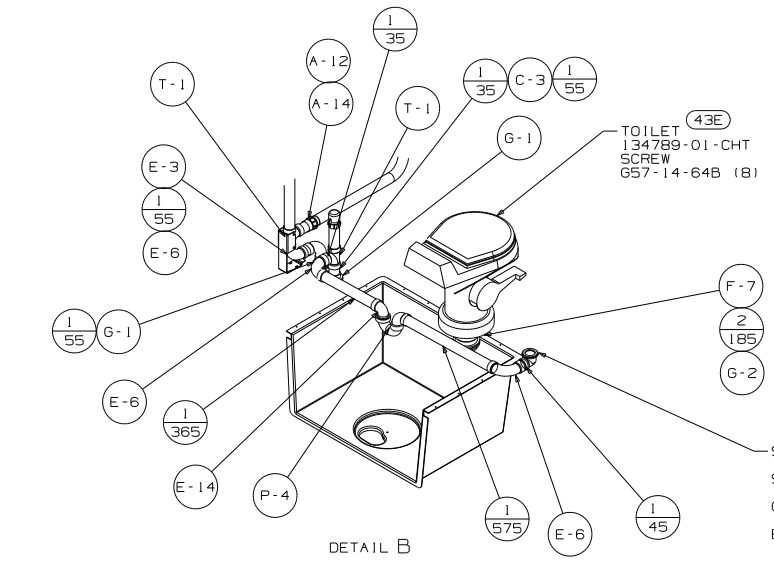
WINNEBAGO	
DTR	ORIG. DATE 06/20/00
CHR	ALL DIMENSIONS ARE IN MILLIMETERS
P.E.	FIRST USED
M.E.	01 P34B
DTR	
UNSPECIFIED TOLERANCES ARE:	
HOLES (Ø) (X)	MATERIAL
ONE-PLACE (X, X)	+
TWO-PLACE (X, X)	+
ANGLE	+
THIRD ANGLE PRODUCTION	
DO NOT SCALE DRAWING	
TITLE: DRAINAGE SYSTEM INSTL	
SHEET 1 of 3	PART NO 136812



SINK-SST, DOUBLE
 110654-01-000 (US/CAN)
 STAINER
 92303-01-000 (2)
 SEAL
 91255-02-000 (A/R)
 RETAINER
 91829-01-CT
 83699-15-CHT (3)
 83699-19-CHT (2)
 SCREW
 G67-06-10U (22)
 WASHER-RUBBER
 127440-02-CHT (2)

PIPE-FLEX
 126426-01-000
 (1120)
 PRIMER
 126427-02-000
 CEMENT
 126427-01-000

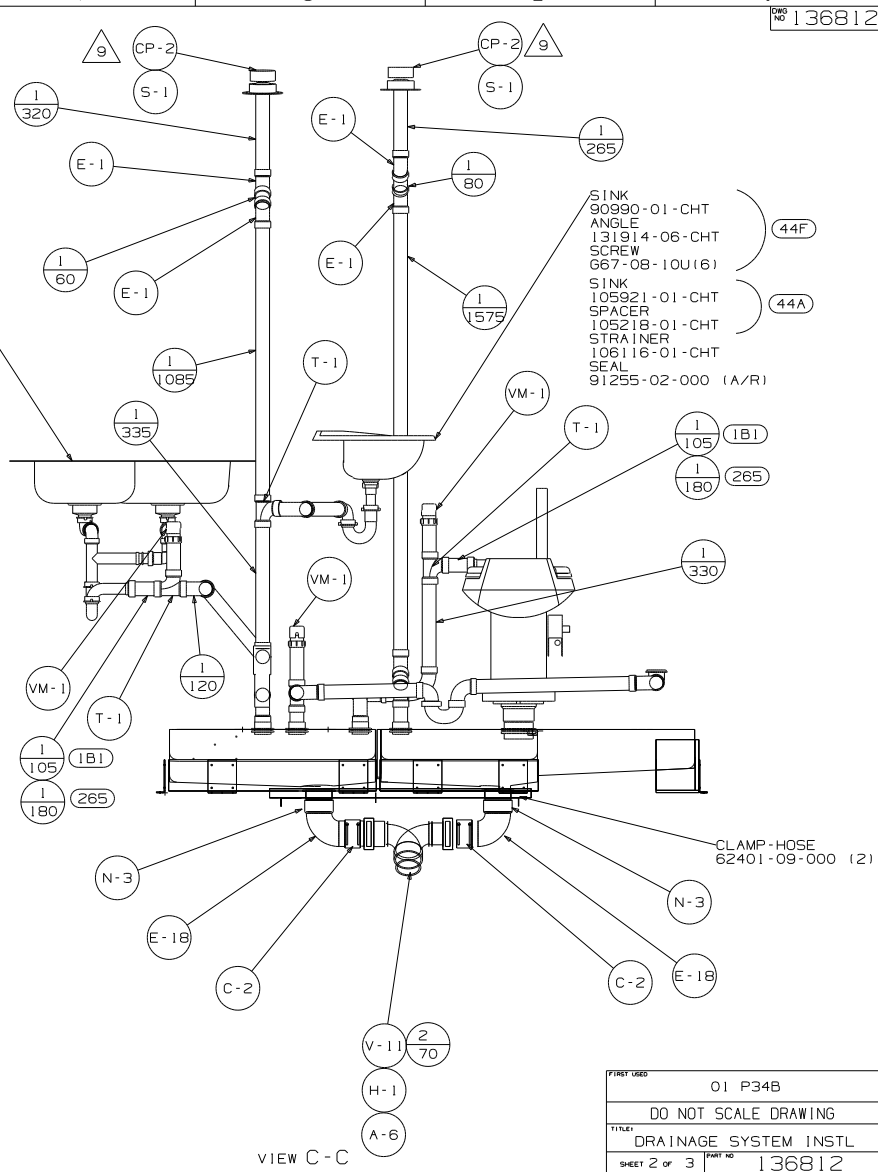
DETAIL A



TOILET
 134789-01-CHT
 SCREW
 G57-14-64B (8)

SHOWER INSTL
 131620-01-000
 STRAINER
 132150-01-CHT
 GASKET
 132376-01-CHT
 ELBOW-DRAIN
 131486-01-000

DETAIL B



SINK
 90990-01-CHT
 ANGLE
 131914-06-CHT
 SCREW
 G67-08-10U(16)
 SINK
 105921-01-CHT
 SPACER
 105218-01-CHT
 STRAINER
 106116-01-CHT
 SEAL
 91255-02-000 (A/R)

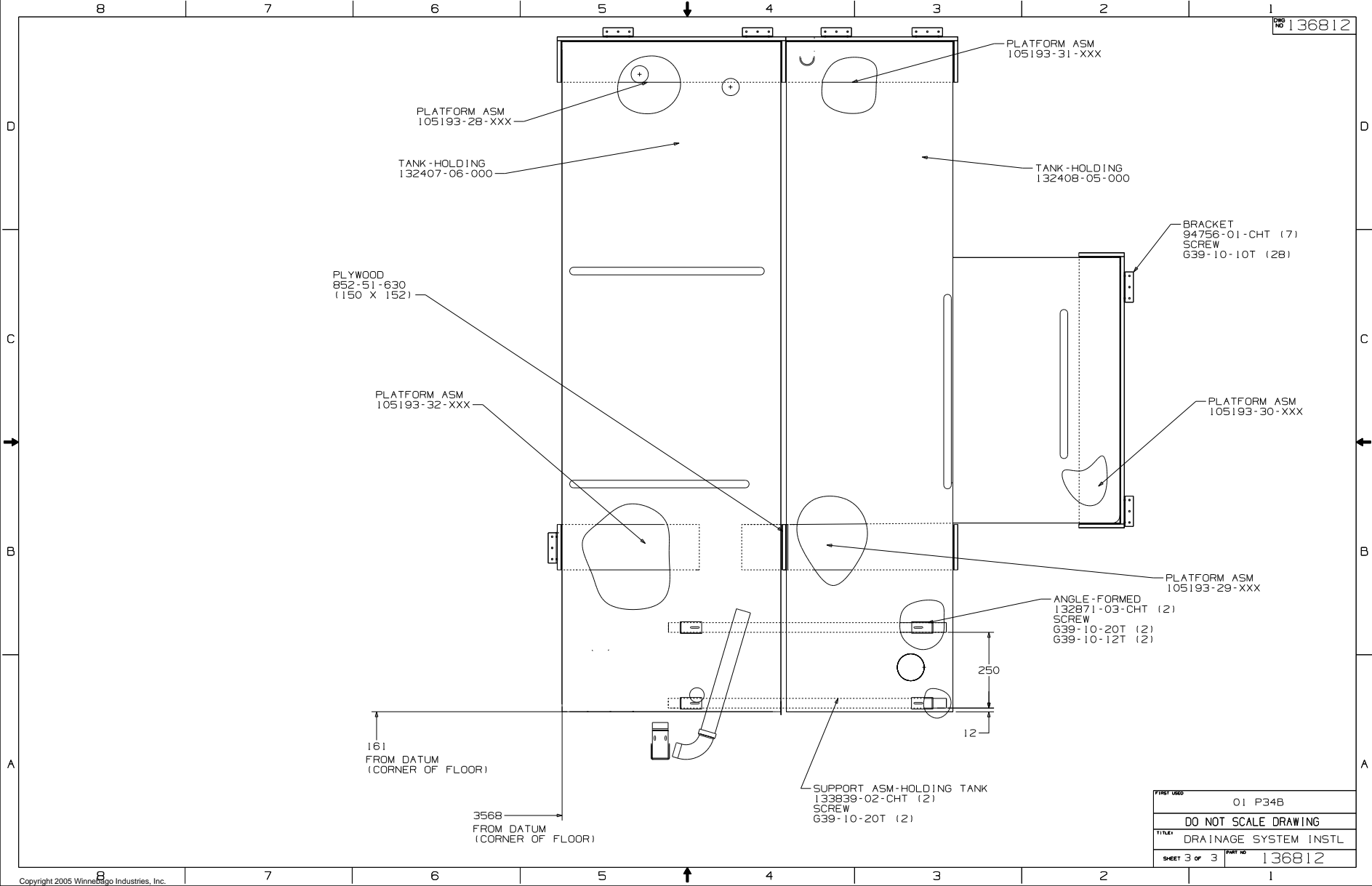
44F

44A

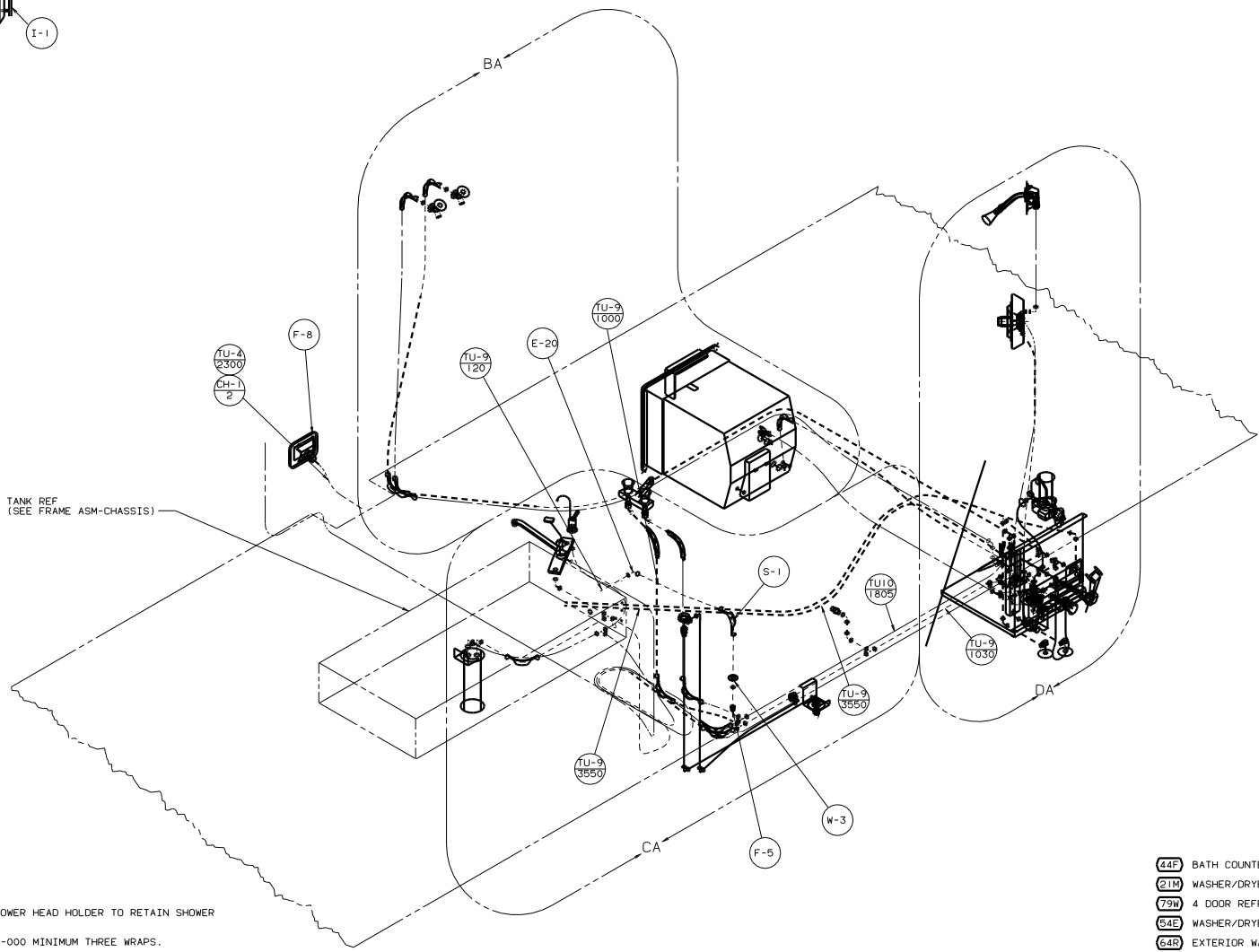
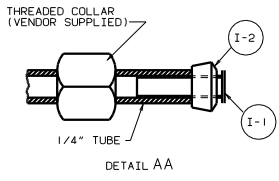
CLAMP-HOSE
 62401-09-000 (2)

VIEW C-C

FIRST USED	01 P34B
DO NOT SCALE DRAWING	
TITLE: DRAINAGE SYSTEM INSTL	
SHEET 2 OF 3	PART NO 136812



FILED NO	01 P34B
DO NOT SCALE DRAWING	
TITLE	DRAINAGE SYSTEM INSTL
SHEET 3 of 3	DWG NO 136812



- NOTES:
1. PLASTIC FITTINGS TO BE SEALED WITH SEALANT 84456-01-000.
 2. TUBING TO BE INSTALLED WITH SUFFICIENT SLOPE TO PROVIDE DRAINAGE TO NEAREST VALVE.
 3. ALL TUBING TO BE SECURED AT 1200 INTERVALS MAXIMUM WITH CLAMP 10495-01-000 OR CLIP 9151-01-000 AND SCREW G67-10-12B.
- (10) APPLY DECAL INSIDE OF UPPER SHOWER HEAD HOLDER TO RETAIN SHOWER HEAD UNIT INSIDE OF HOLDER.
 (9) WRAP WITH TEFLON TAPE 10405-01-000 MINIMUM THREE WRAPS.
 (8) WRAP WITH TEFLON TAPE 10405-03-000 TO FITTINGS.
 (7) WRAP WITH TEFLON TAPE 10405-02-000 TO FITTINGS.
 (6) FLUSHING SYSTEM REQUIRES 125697-06-000 INSTRUCTION SHEET.
 (5) CLAMPS MUST BE ON BARBS.
 (4) USE DETAIL "AA" IN THIS AREA.

- (44F) BATH COUNTERTOP SOLID SURFACE
- (21M) WASHER/DRYER PREP
- (72W) 4 DOOR REFRIGERATOR W/ICEMAKER
- (54E) WASHER/DRYER
- (64R) EXTERIOR WASH STATION
- (53J) WATER HEATER BY-PASS-VALVE
- (1B2) WTR HTR-10GAL/ELEC/LP/MTRAIID
- (23B) WATER PURIFIER
- (15U) REFRIGERATOR/FRZR W/ICEMAKER

LEGEND	
HOT	-----
COLD	-----

(X-X)
 FOR WATER CALLOUTS SEE DWG NO. 116230-01-000

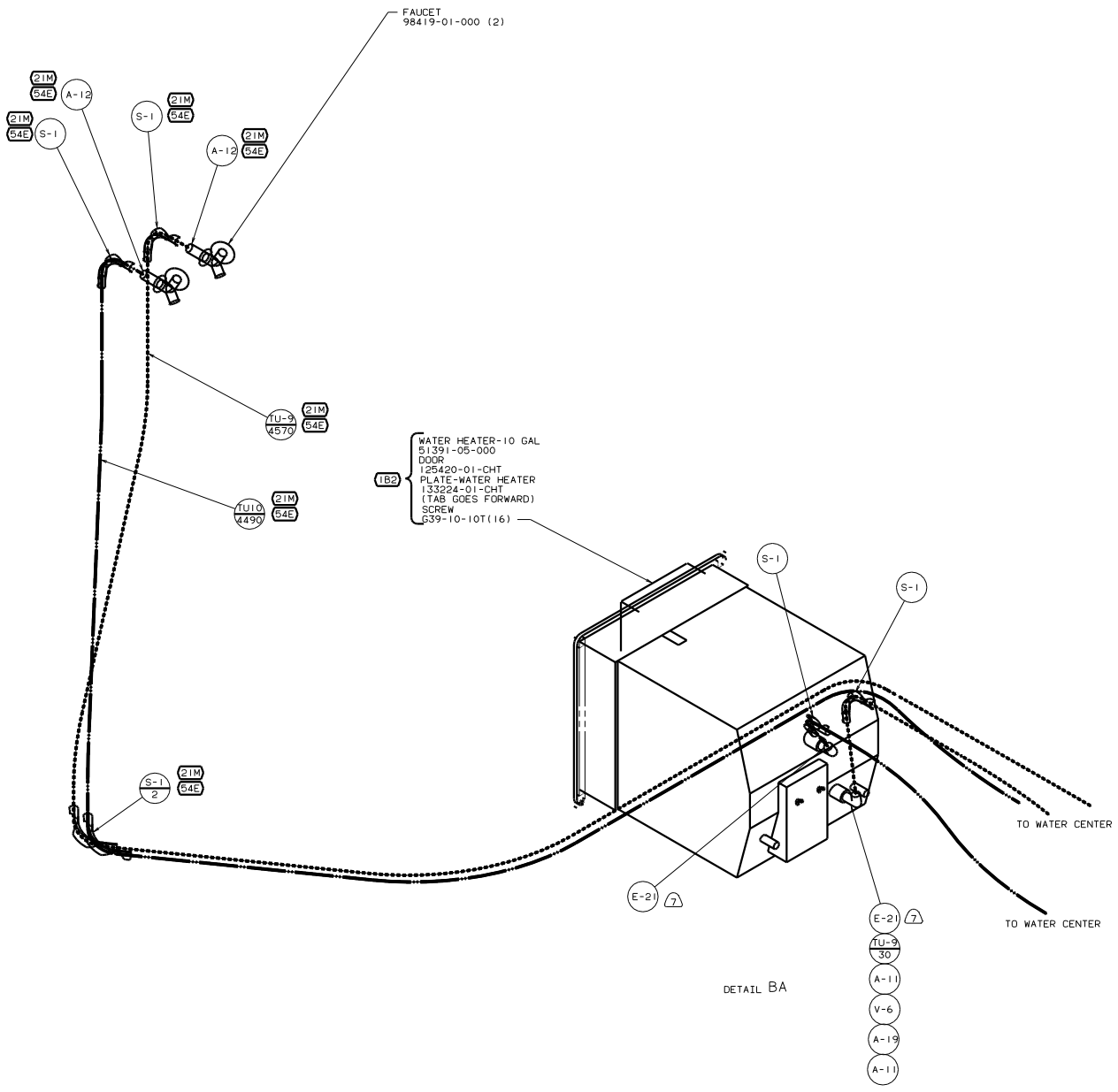
WINNEBAGO 01 P34B

DATE	DATE	UNDESIGNED TOLERANCES ARE:	INTERVAL:
DATE	DATE	WHOLE DIM (IN)	1"
DATE	DATE	ONE-PLACE (IN)	1/16"
DATE	DATE	TWO-PLACE (IN)	1/32"
DATE	DATE	THREE-PLACE (IN)	1/64"
DATE	DATE	THIRD ANGLE PROJECTION	

LAYOUT NO. _____ TITLE: WATER SYSTEM INSTL
 DIA # _____ SCALE: NONE TO DIM SICKLE LEGGING: _____ SHEET 1 OF 5 I.e. NO. 136811
 ALL DIMENSIONS ARE IN MILLIMETERS

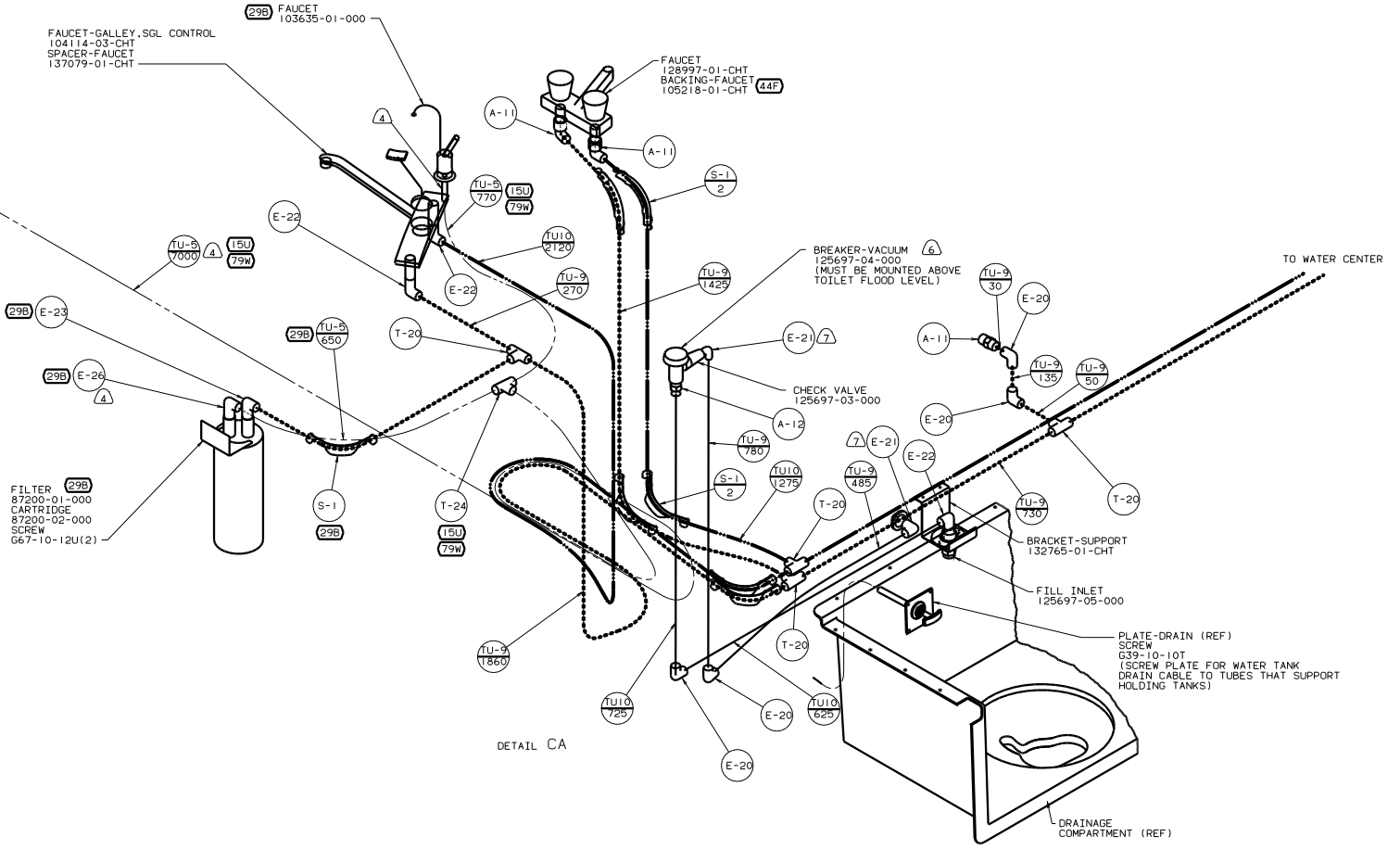
H
G
F
E
D
C
B
A

8 7 6 5 4 3 2 1



8 7 6 5 4 3 2 1

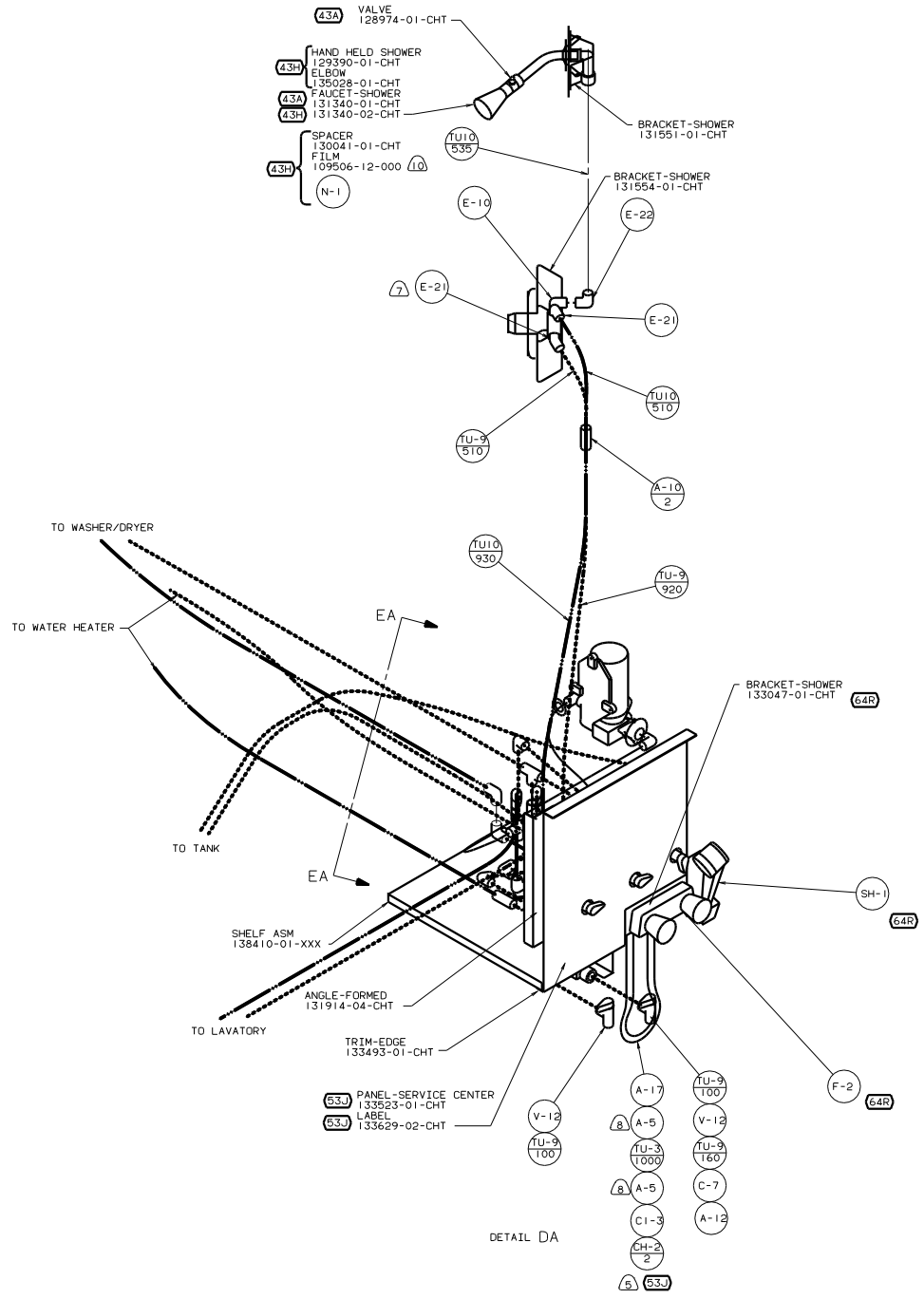
TO REFRIGERATOR



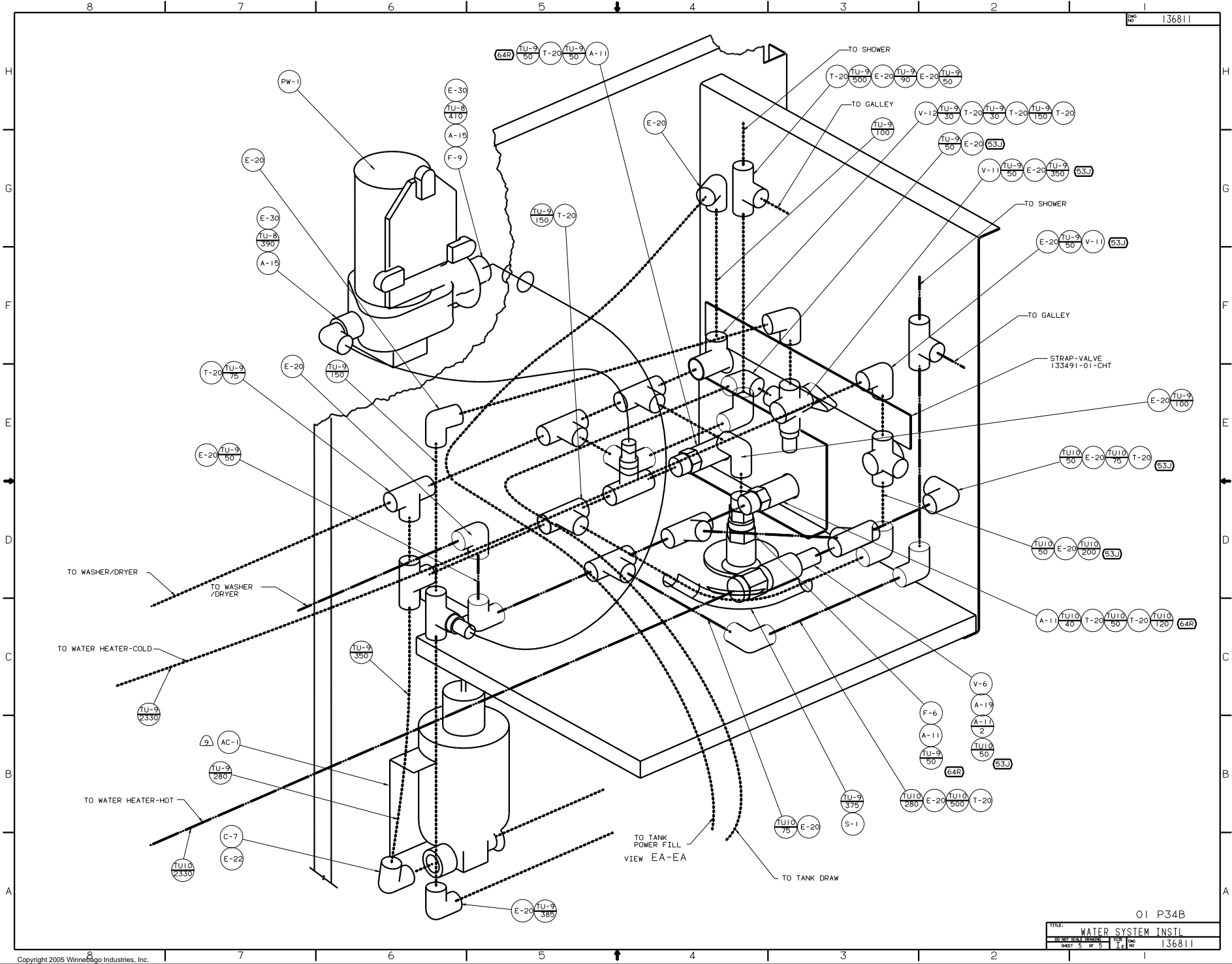
DETAIL CA

01 P34B

TITLE		WATER SYSTEM INSTL	
NO	SCALE	REV	DATE
3		1	
SHEET 3 OF 5		136811	



DETAIL DA



VIEW EA-EA

01 P34B

TITLE		WATER SYSTEM INSTL	
NO. OF SHEETS	OF	DATE	REV.
5	5	11/01	1