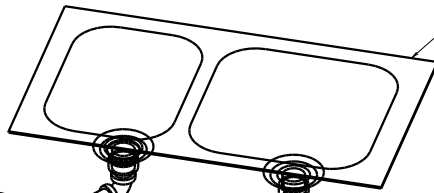


- NOTES:
10. SECURE VENT TUBES TO FLOOR WITH BRACKET 95061-01-000 (2) CLAMP 62401-02-000, SCREW G67-10-12B (2).
  9. SECURE PIPES TO CABINET USING WIRE TIE 108046-02-000 AND SCREW G67-10-12U (8).
  8. VENT PIPE MUST PROJECT 51 MIN TO 64 MAX ABOVE ROOF FOR PROPER FIT AND FUNCTION.
  7. SEE DWG 61607-01-000 FOR INSTL OF GROMMET.
  6. SEAL ALL AROUND SHOWER PAN.
  5. TRIM TO FIT.
  4. ALL EXTERIOR OPENINGS AROUND PIPE TO BE SEALED WITH 110744-01-000.
  3. ALL PIPE AND FITTINGS TO BE ASSEMBLED WITH SOLVENT 4020-01-000.
  2. SLOPE OF TRAP MUST BE 6 PER 300 MINIMUM.
  1. SLOPE OF HORIZONTAL PIPING TO BE 6 PER 300 MINIMUM.

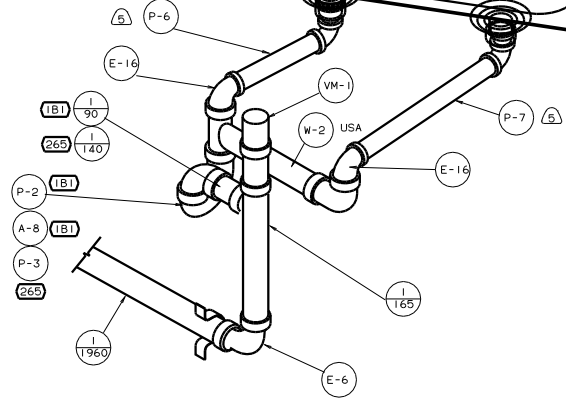
- (WIN) WINNEBAGO ONLY
- (ITA) ITASCA ONLY
- (54E) WASHER/DRYER
- (430) TOILET-PORCELAIN
- (43W) TOILET PORCELAIN-ELONGATE
- (WIN) WINNEBAGO ONLY
- (ITA) ITASCA ONLY
- (21M) WASHER/DRYER PREP
- (26S) CODES/STANDARDS-CSA/CMVSS
- (IB1) CODES/STANDARDS USA

FOR DRAINAGE CALLOUTS SEE DWG NO. 116229-01-000

		00 L36W
DATE	DATE	UNDESIGNED TOLERANCES ARE:
DATE	DATE	WHOLE DIM (IN)
DATE	DATE	ONE-PLACE (IN.X1)
DATE	DATE	TWO-PLACE (IN.XXX)
DATE	DATE	MILLI
DATE	DATE	THIRD WHOLE INCREMENT
DATE	DATE	ALL DIMENSIONS ARE IN MILLIMETERS
LANE# L36W	TITLE	DRAINAGE SYSTEM INSTL
SHEET 1 OF 3	REF: 132899	134322



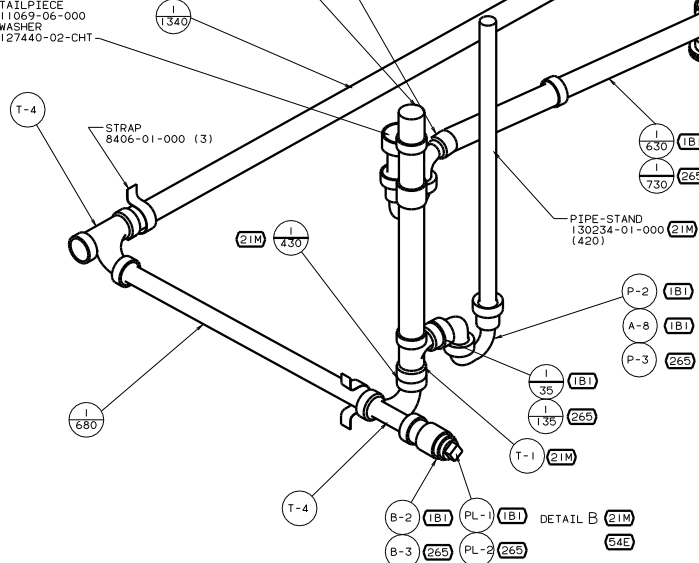
- SINK-SST DOUBLE  
110654-01-000
- STRAINER  
92303-01-000 (2)
- SEAL  
91255-02-000 (A/R)
- SCREW  
G57-06-10U (2)
- RETAINER  
81828-01-CHT
- 83699-15-CHT (2)
- 83699-19-CHT (3)



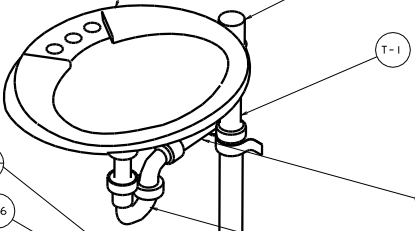
DETAIL A

- SHOWER INSTL-ENCLOSURE  
131620-05-000
- DRAIN  
66440-01-000
- NUT-SLIP  
130403-01-000
- TAILPIECE  
11069-06-000
- WASHER  
127440-02-CHT

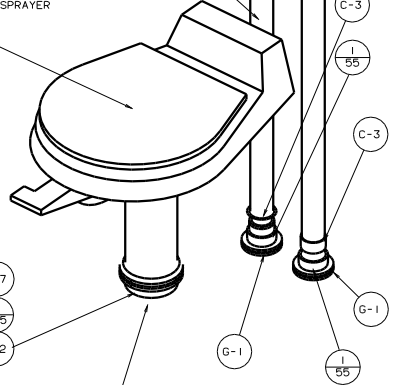
- STRAP  
8406-01-000 (3)



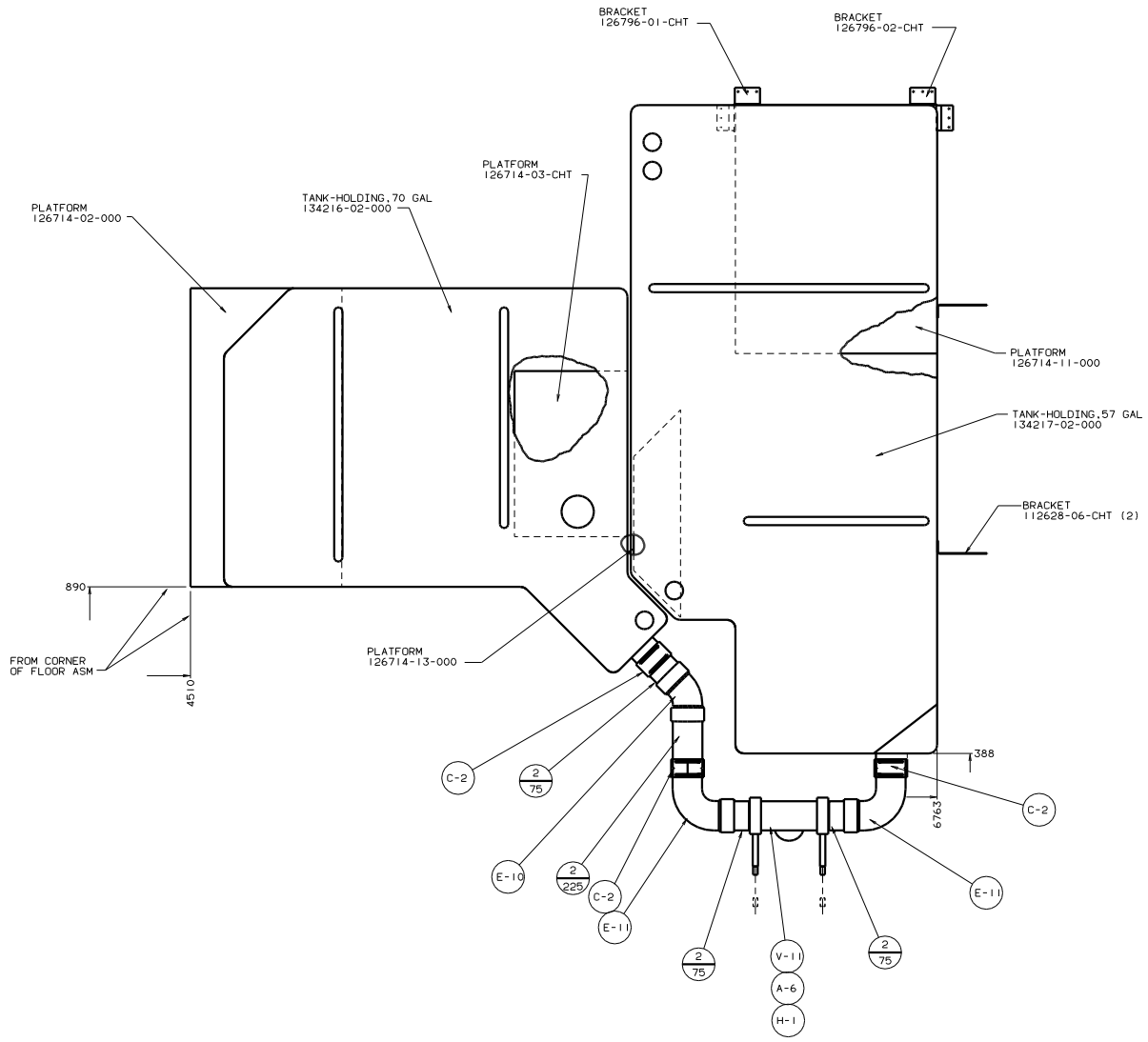
- SINK-LAVATORY  
105921-01-CHT
- SEAL  
91255-02-000 (A/R)
- STRAINER  
106116-01-CHT



- TOILET-CHINA, STD W/SPRAYER  
136729-10-CHT
- TOILET-AURORA  
132389-01-CHT



DETAIL C



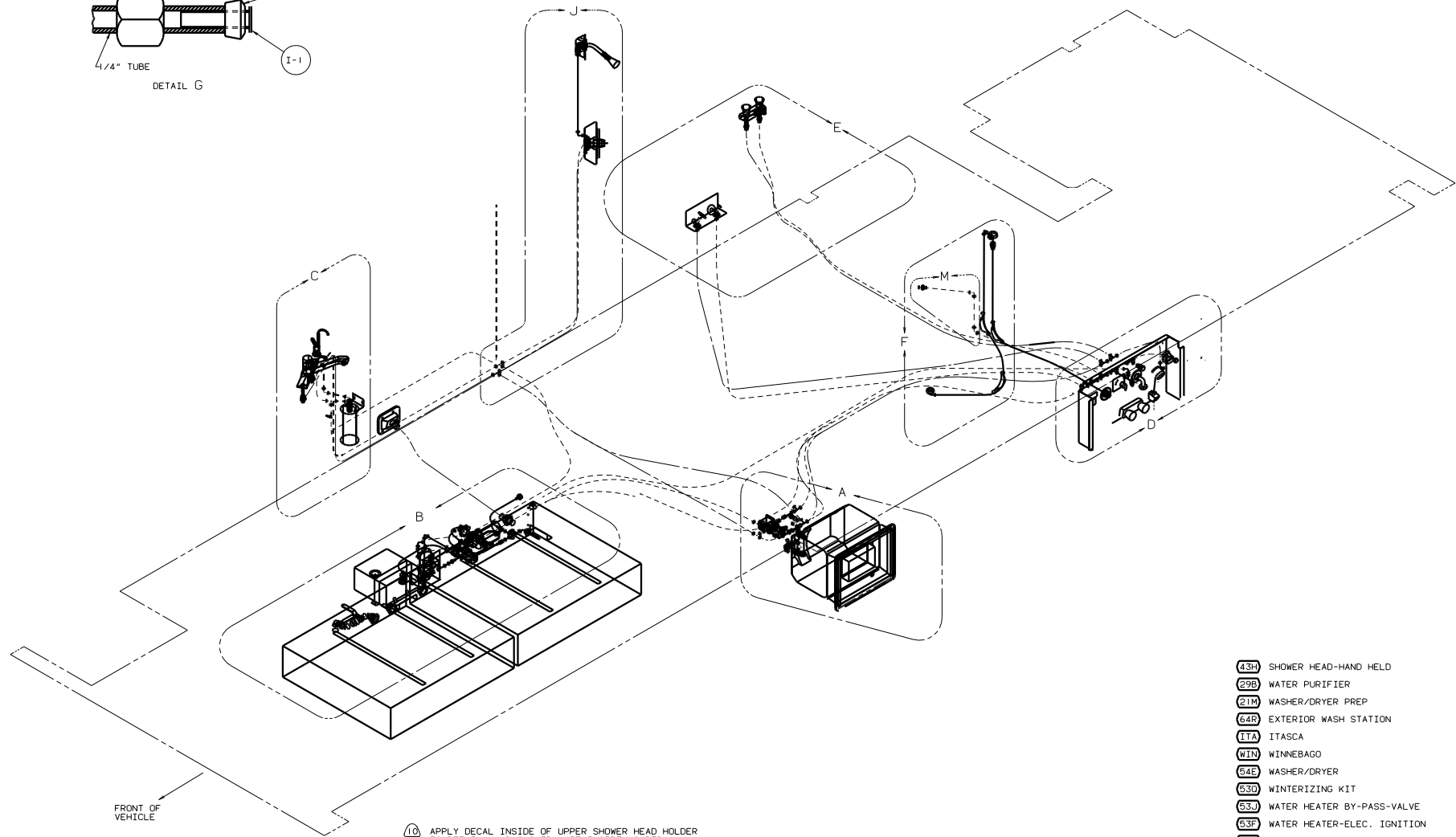
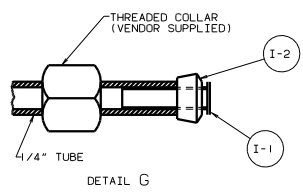
VIEW D-D

00 L36W

TITLE: DRAINAGE SYSTEM INSTL	
30 000 000 0000	1.0
SHEET 3 OF 3	134322

DWG NO  
136458-01  
136458-02

WIN  
ITA



- (43H) SHOWER HEAD-HAND HELD
- (29B) WATER PURIFIER
- (21M) WASHER/DRYER PREP
- (64R) EXTERIOR WASH STATION
- (ITA) ITASCA
- (WIN) WINNEBAGO
- (54E) WASHER/DRYER
- (530) WINTERIZING KIT
- (53J) WATER HEATER BY-PASS-VALVE
- (53F) WATER HEATER-ELEC. IGNITION
- (15U) REFRIGERATOR/FRZR W/ICEMAKER
- (1B2) WTR HTR-10GAL/ELEC/LP/MTRAIID

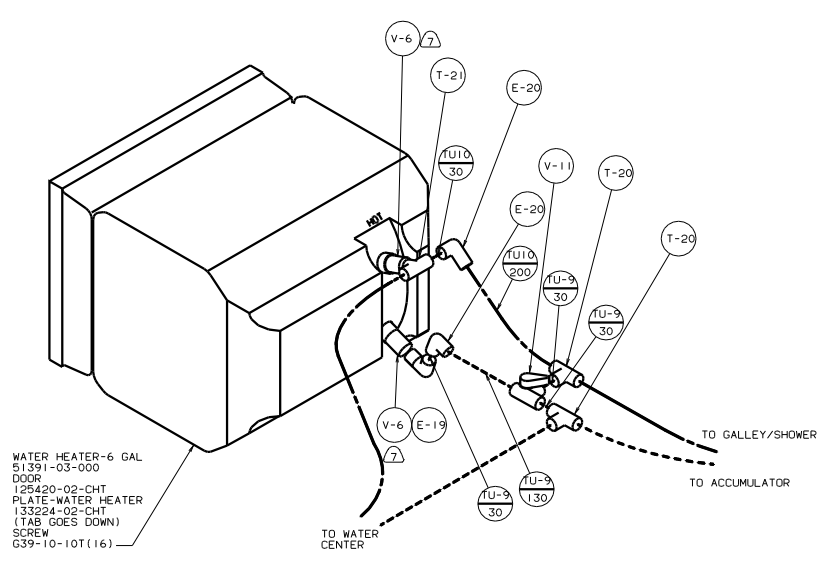
- (10) APPLY DECAL INSIDE OF UPPER SHOWER HEAD HOLDER TO RETAIN HAND SHOWER UNIT INSIDE HOLDER.
- (9) PREDRILL SHOWER SURROUND WITH 5.0 DIA. HOLES USING MOUNTING BRACKET AS A TEMPLATE.
- (8) ADD TEFLON TAPE 10405-03-000 TO FITTING.
- (7) ADD TEFLON TAPE 10405-02-000 TO FITTING.
- (6) FLUSHING SYSTEM REQUIRES 125697-06-000 USER INSTRUCTIONS.
- (5) USE DETAIL "G" IN THIS AREA (BOTH ENDS OF TUBING).
- (4) CLAMPS MUST BE ON BARBS.

- 3. ALL TUBING TO BE SECURED AT 1200 INTERVALS MAXIMUM WITH CLAMP 10495-01-000 OR CLIP 91951-01-00 AND SCREW G67-10-12B.
- 2. TUBING TO BE INSTALLED WITH SUFFICIENT SLOPE TO PROVIDE DRAINAGE TO NEAREST VALVE.
- 1. PLASTIC FITTINGS TO BE SEALED WITH SEALANT 84456-01-000.

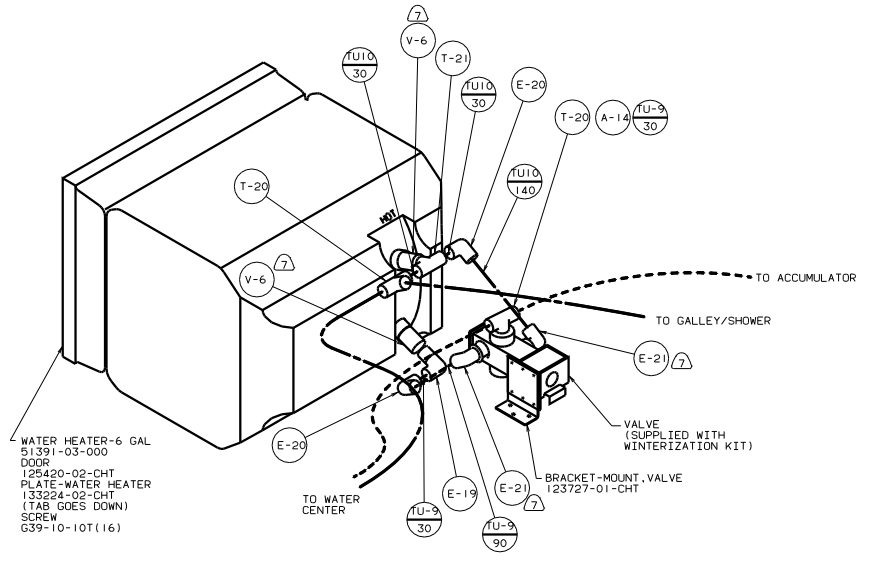
LEGEND		WINNEBAGO OI L36W	
HOT	----->	DATE	UNSPECIFIED TOLERANCES ARE:
COLD	----->	DATE	WHOLE DIM (IN) ± .1
		DATE	ONE-PLACE (IN) .01
		DATE	TWO-PLACE (IN) .001
		DATE	THIRD-PLACE (IN) .0001
		DATE	FOURTH-PLACE (IN) .00001
		DATE	ALL DIMENSIONS ARE IN MILLIMETERS

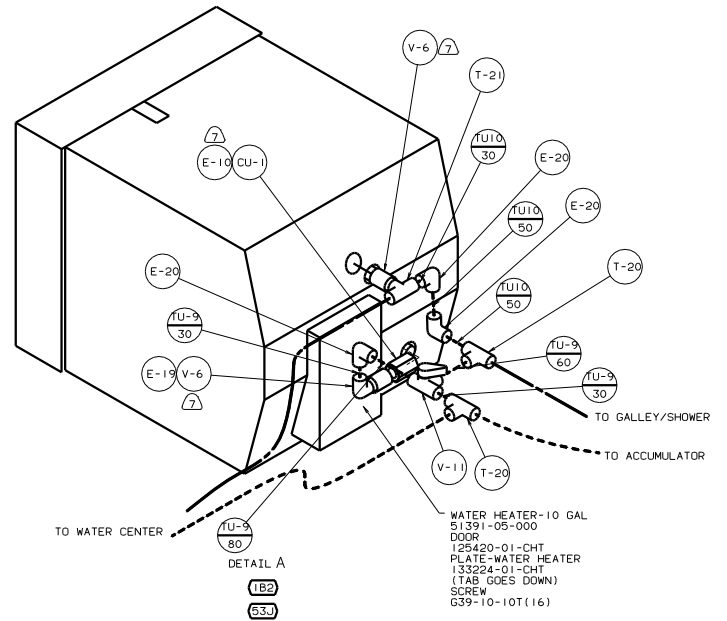
FOR WATER CALLOUTS SEE DWG NO. 116230-01-000	SCALE: NONE	TITLE: WATER SYSTEM INSTL
X-X	1:1	136458



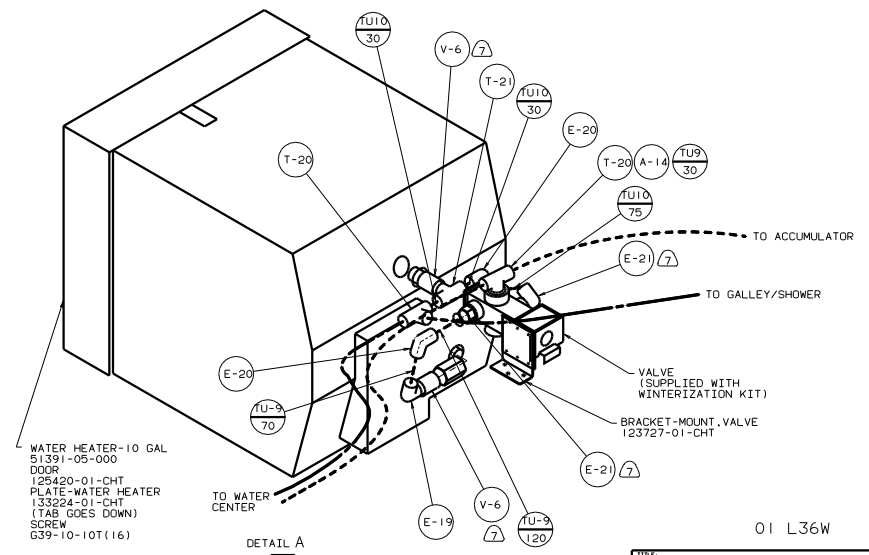
DETAIL A  
53F  
53J



DETAIL A  
53F  
53D



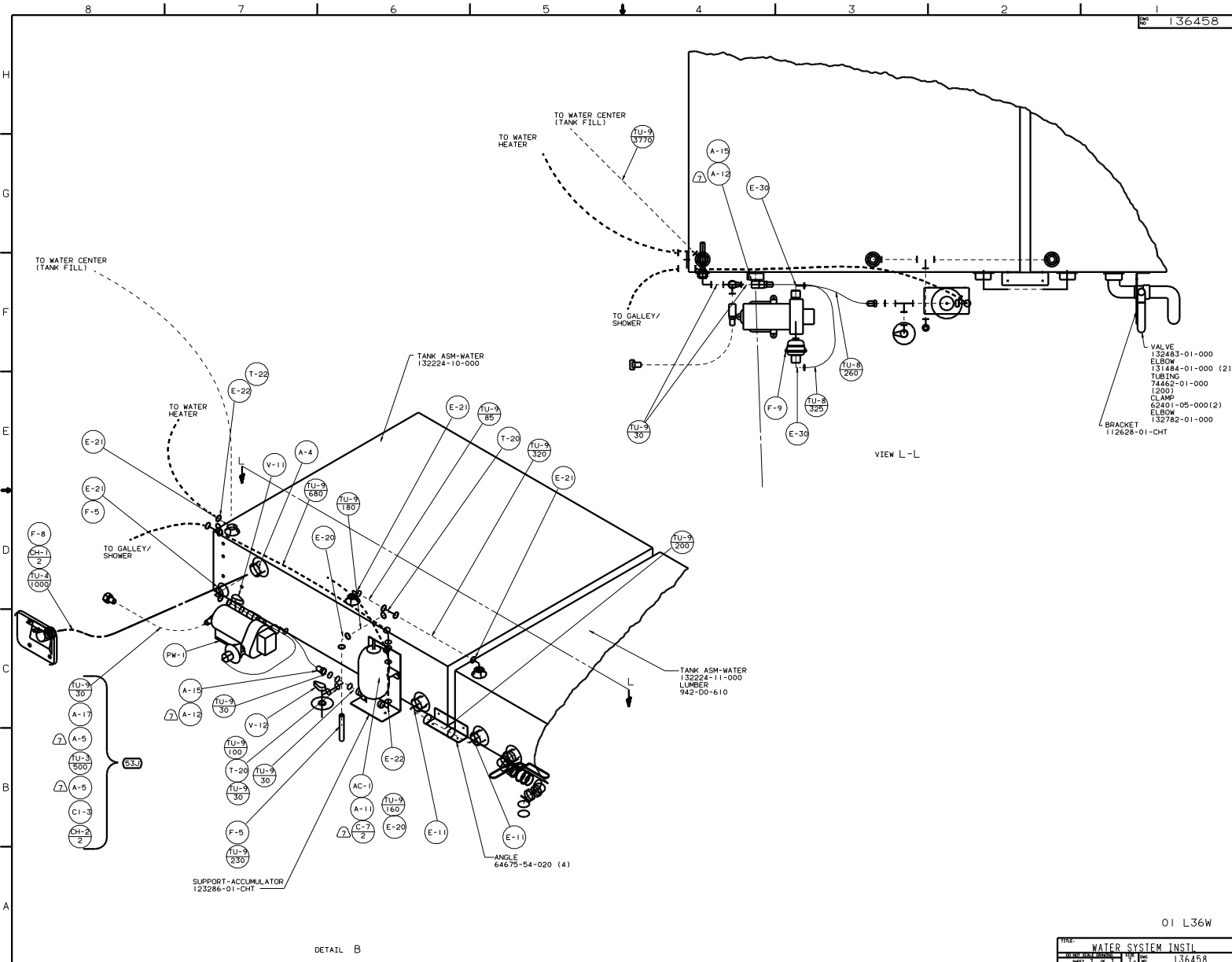
DETAIL A  
1B2  
53J

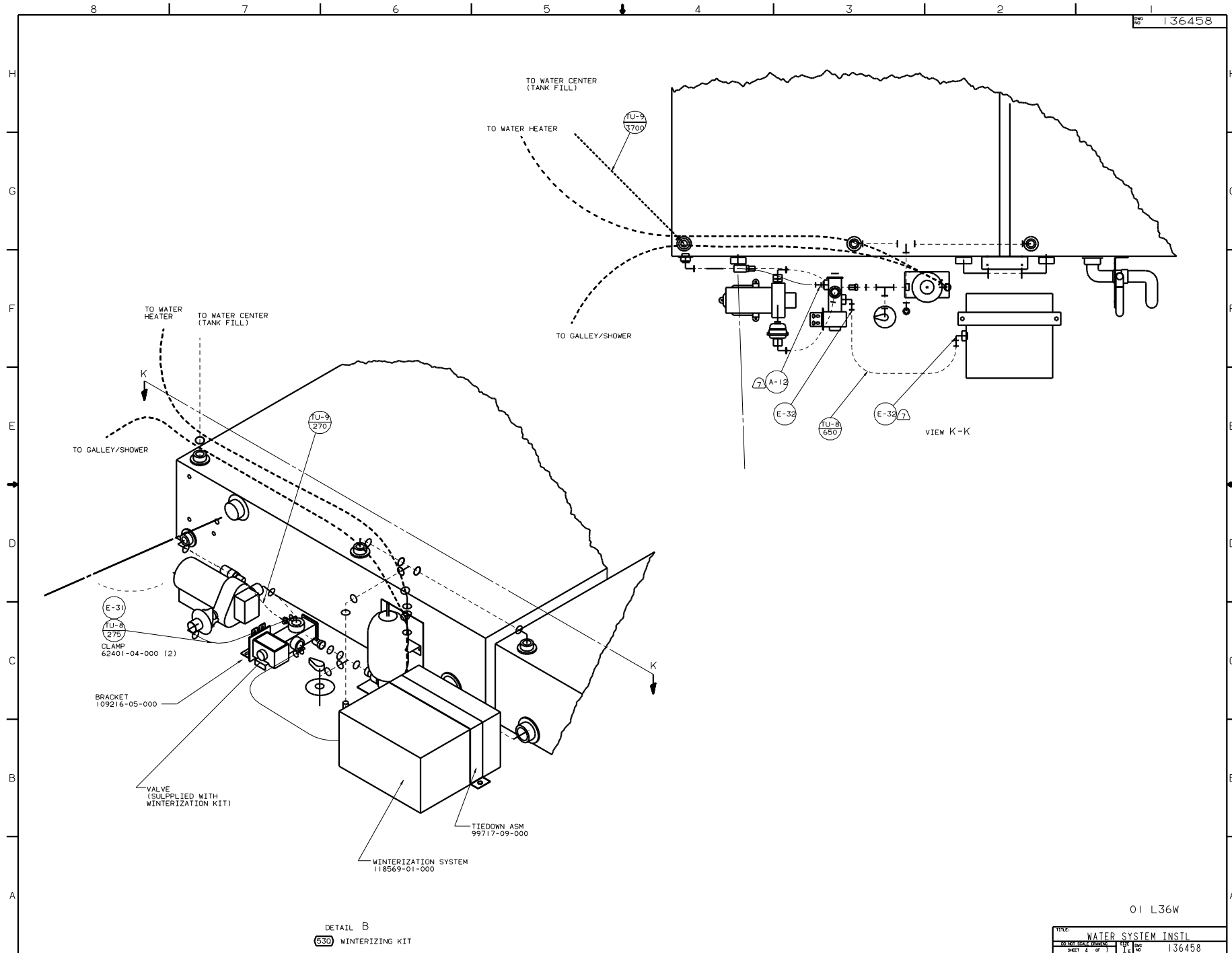


DETAIL A  
53D  
1B2

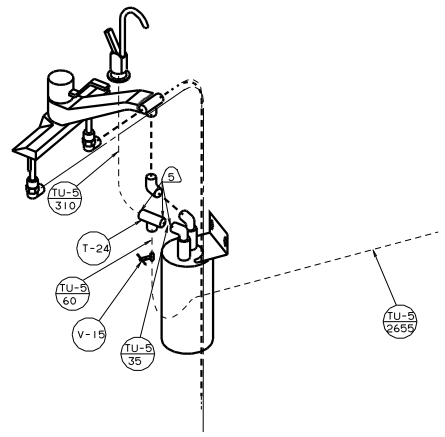
01 L36W

TITLE		WATER SYSTEM INSTL	
NO	DATE	BY	CHK
2	7	1	1
SHEET		136458	

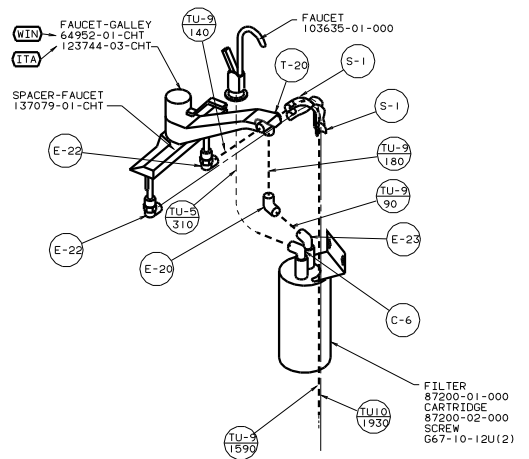




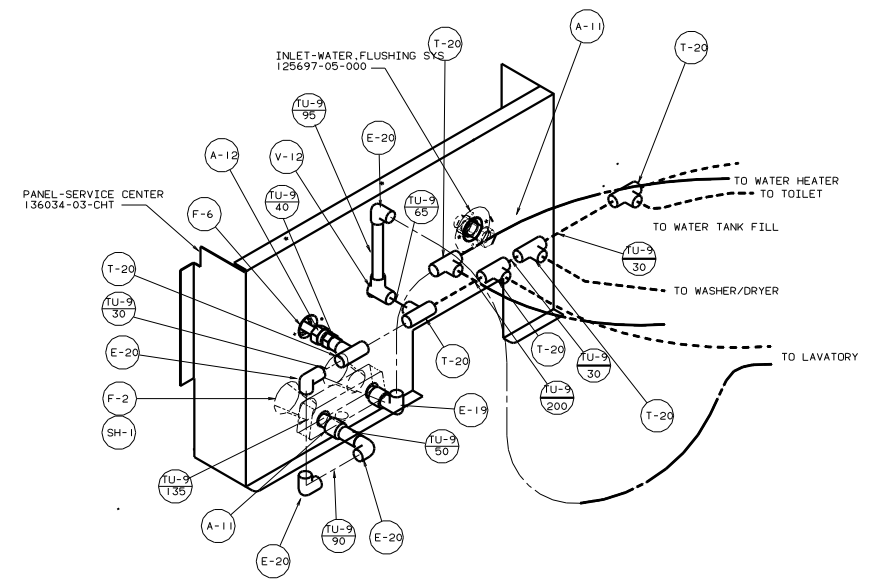
01 L36W



DETAIL C (29B) 15U 79W

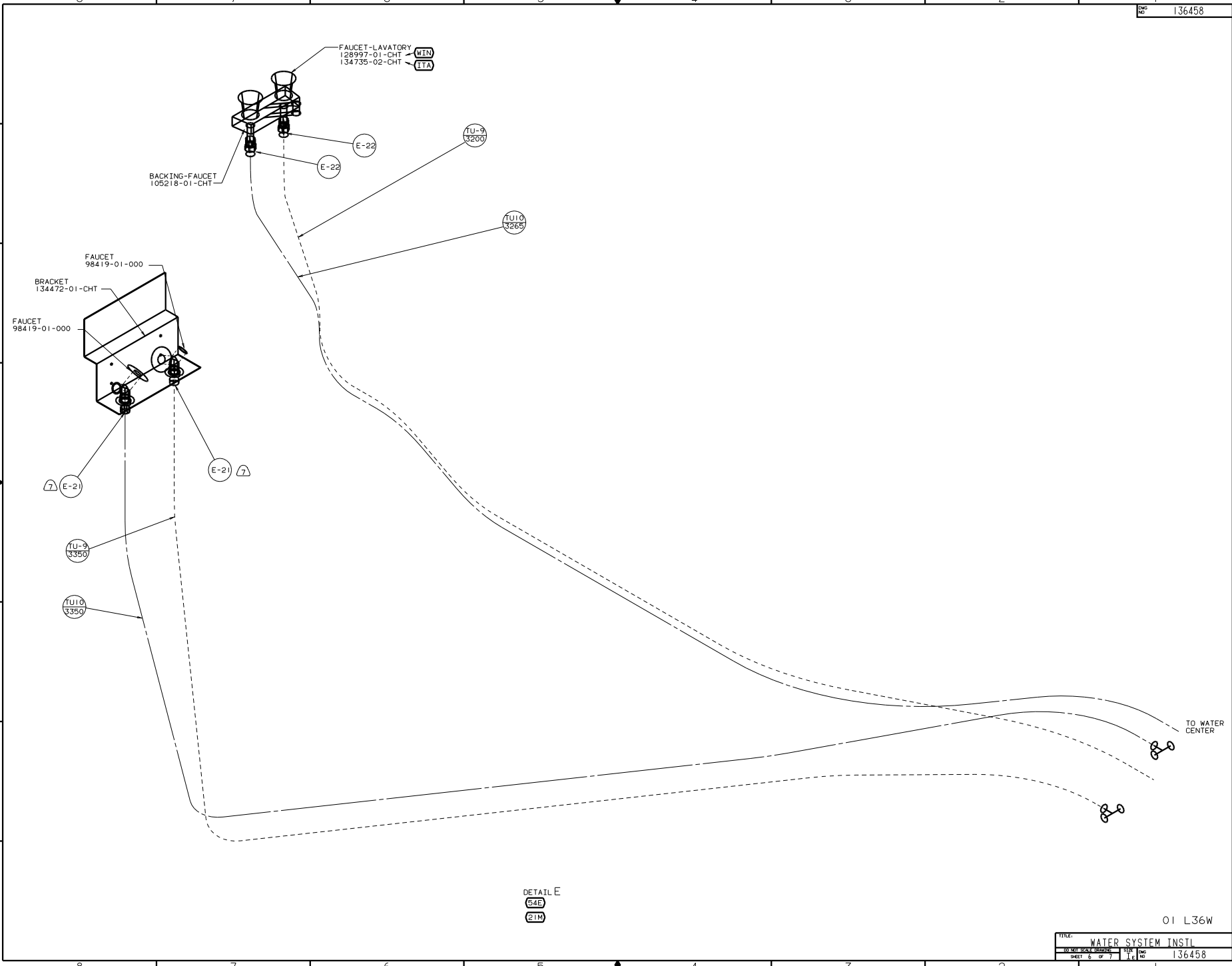


DETAIL C (29B)



DETAIL D (64R)

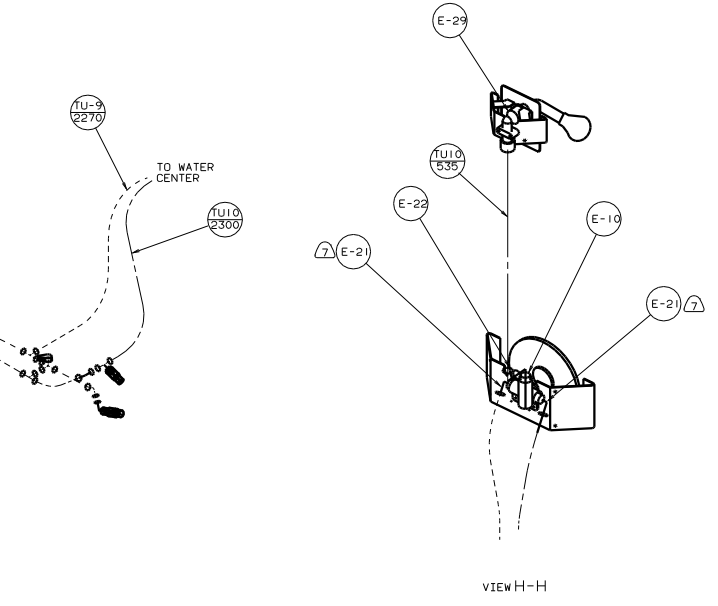
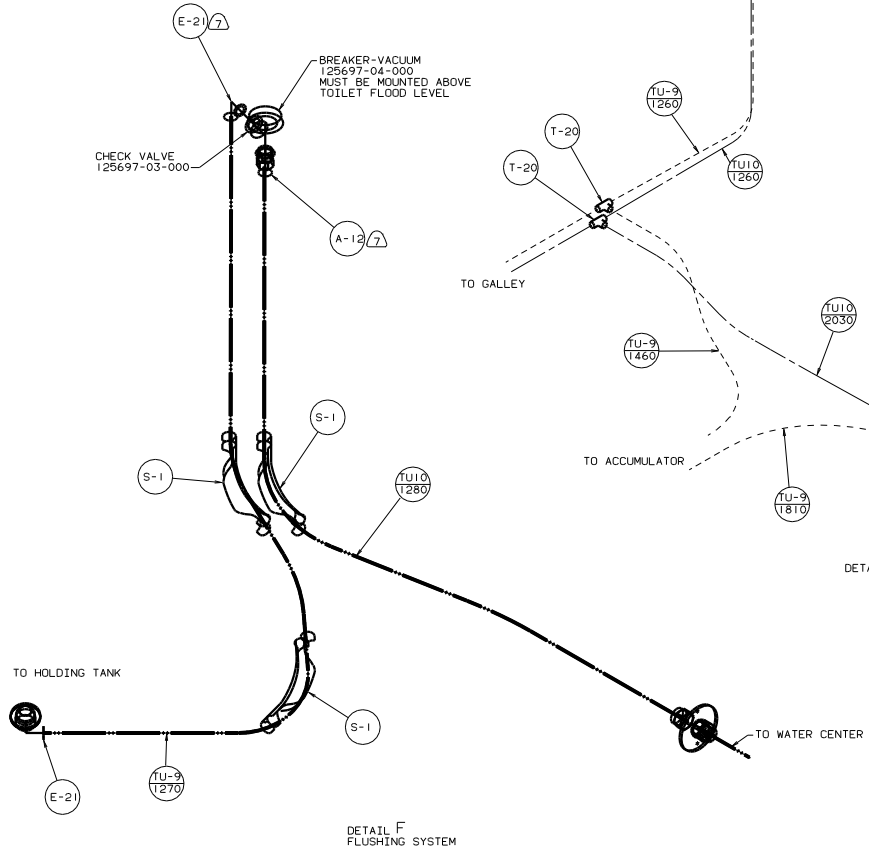
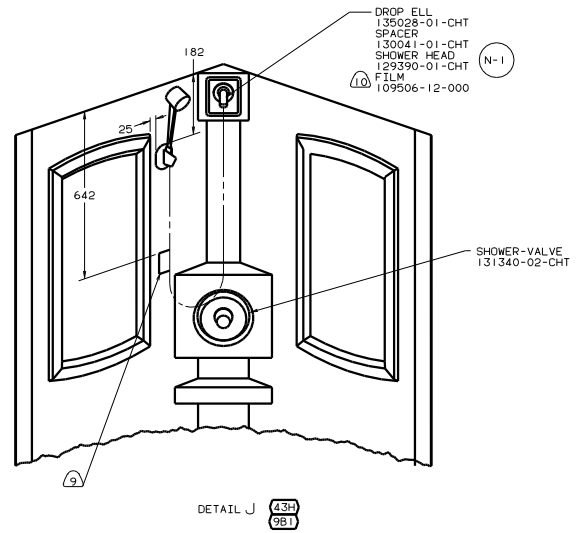
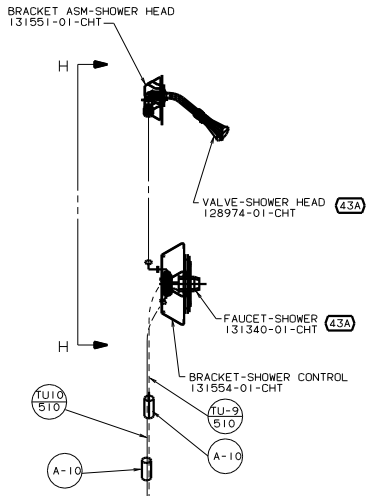
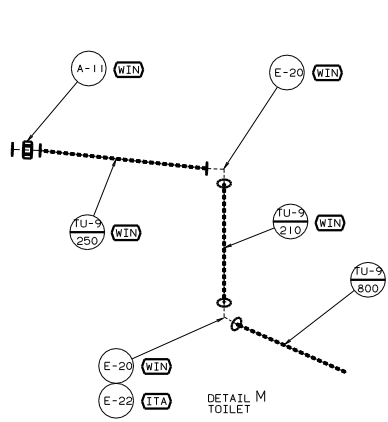




DETAIL E  
 54E  
 21M

01 L36W

TITLE: WATER SYSTEM INSTL	
DO NOT SCALE DRAWING	DATE
SHEET 6 OF 7	1.6
136458	



TITLE: WATER SYSTEM INSTL	
NO. OF SHEETS: 7	SHEET NO. 7
DATE: 1/1/00	REV. NO. 136458