

- 9. SECURE PIPES TO CABINET USING WIRE TIE 108046-02-000 AND SCREW 067-10-12U (8).
- Ⓐ VENT PIPE MUST PROJECT 51 MIN TO 64 MAX ABOVE ROOF FOR PROPER FIT AND FUNCTION.
- 7. SEE DWG 61607-01-000 FOR INSTL GROMMET.
- 6. SEAL ALL AROUND SHOWER PAN.
- Ⓐ TRIM TO FIT.
- 4. ALL EXTERIOR OPENINGS AROUND PIPE TO BE SEALED WITH 110744-01-000.
- 3. ALL PIPE AND FITTINGS TO BE ASSEMBLED WITH SOLVENT 4020-01-000.
- 2. SLOP OF TRAP MUST BE 6 PER 300 MINIMUM.
- 1. SLOP OF HORIZONTAL PIPING TO BE 6 PER 300 MINIMUM.

NOTES:

- (WIN) WINNEBAGO ONLY
- (ITA) ITASCA ONLY
- (44E) COUNTRTOP-SOL. SURFACE-GALLEY
- (430) TOILET-PORCELAIN
- (43M) TOILET PORCELAIN-ELONGATE
- (265) CODES/STANDARDS-CSA/CMVSS
- (IB1) CODES/STANDARDS USA

FOR DRAINAGE CALLOUTS SEE DWG NO. 116229-01-000

DATE		UNSPECIFIED TOLERANCES ARE:		MATERIAL:	
CHG	DATE	FRAC. DIM (1:1)	+	0	
D/E	DATE	INT. PLAC. (1:1)	+	0	
D/E	DATE	ANG.	+	0	
CDP	DATE	TRIG. ANGLE PROJECTOR	+	0	
L35U		TITLE:		DRAINAGE SYSTEM INSTL	
DIA #	SCALE	NO. SHEETS	NO. SHEETS	SHEET	NO.
		1	4	1	135177

SINK-LAVATORY  
105921-01-CHT  
SEAL  
91255-02-000 (A/R)

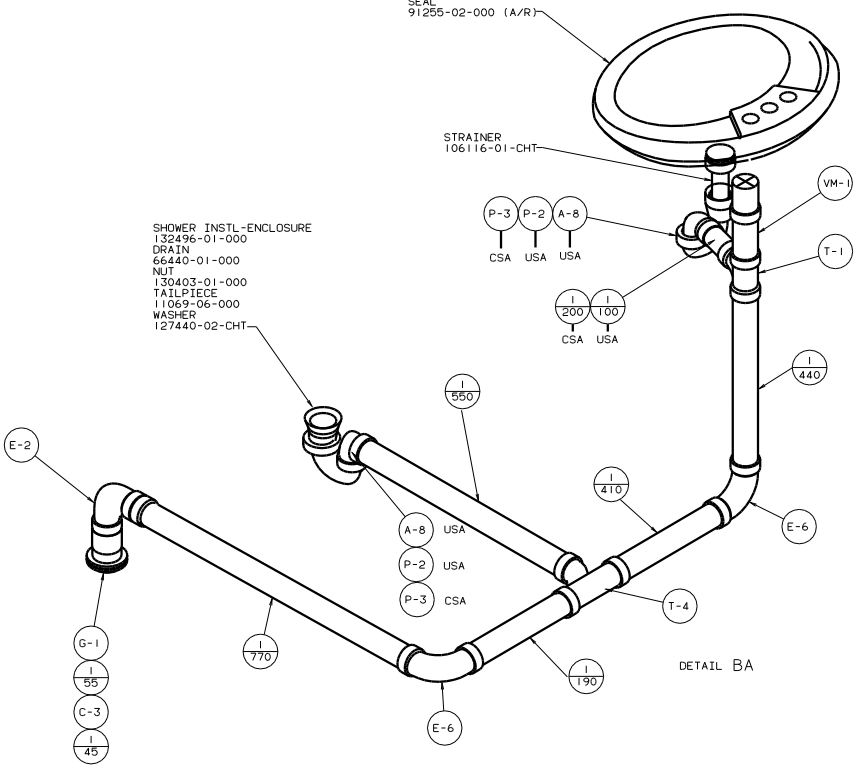
STRAINER  
106116-01-CHT

SHOWER INSTL-ENCLOSURE  
132496-01-000  
DRAIN  
66440-01-000  
NUT  
130403-01-000  
TAILPIECE  
11069-06-000  
WASHER  
127440-02-CHT

P-3 CSA  
P-2 USA  
A-8 USA

I 200 CSA  
I 100 USA

DETAIL BA



CP-2

I 1190

I 500

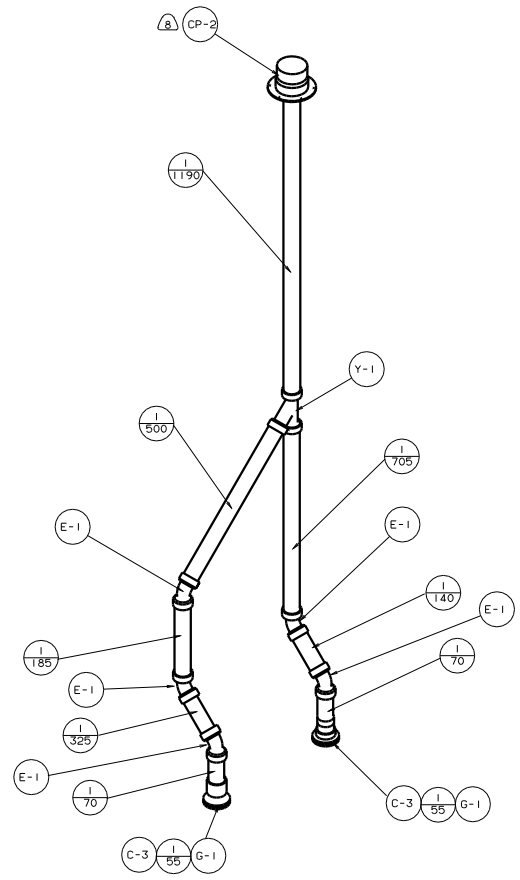
I 705

I 140

I 70

C-3 I 55 G-1

DETAIL BC

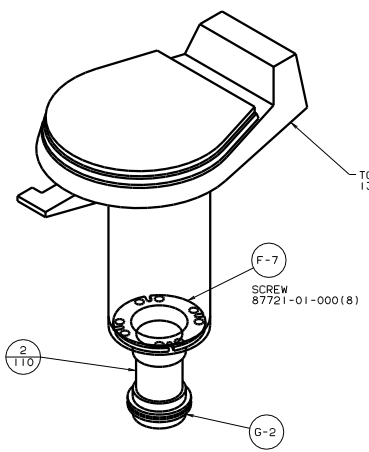


TOILET-AURORA  
132389-01-CHT

F-7  
SCREW  
87721-01-000(8)

DETAIL BB

43D LTA

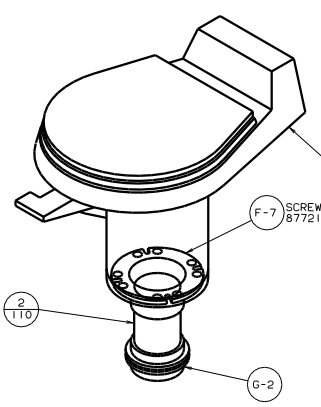


TOILET-CHINA,STD W/SPRAYER  
136729-01-CHT

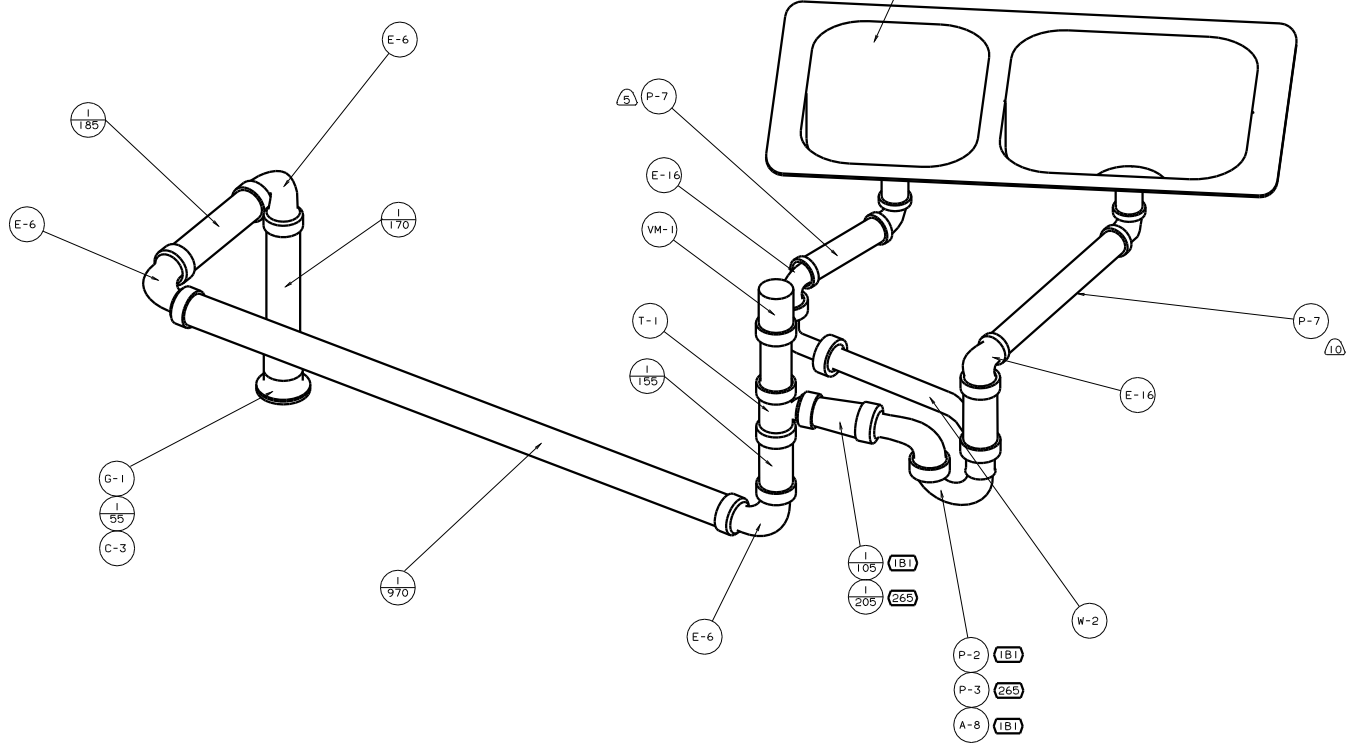
F-7  
SCREW  
87721-01-000(8)

DETAIL BB

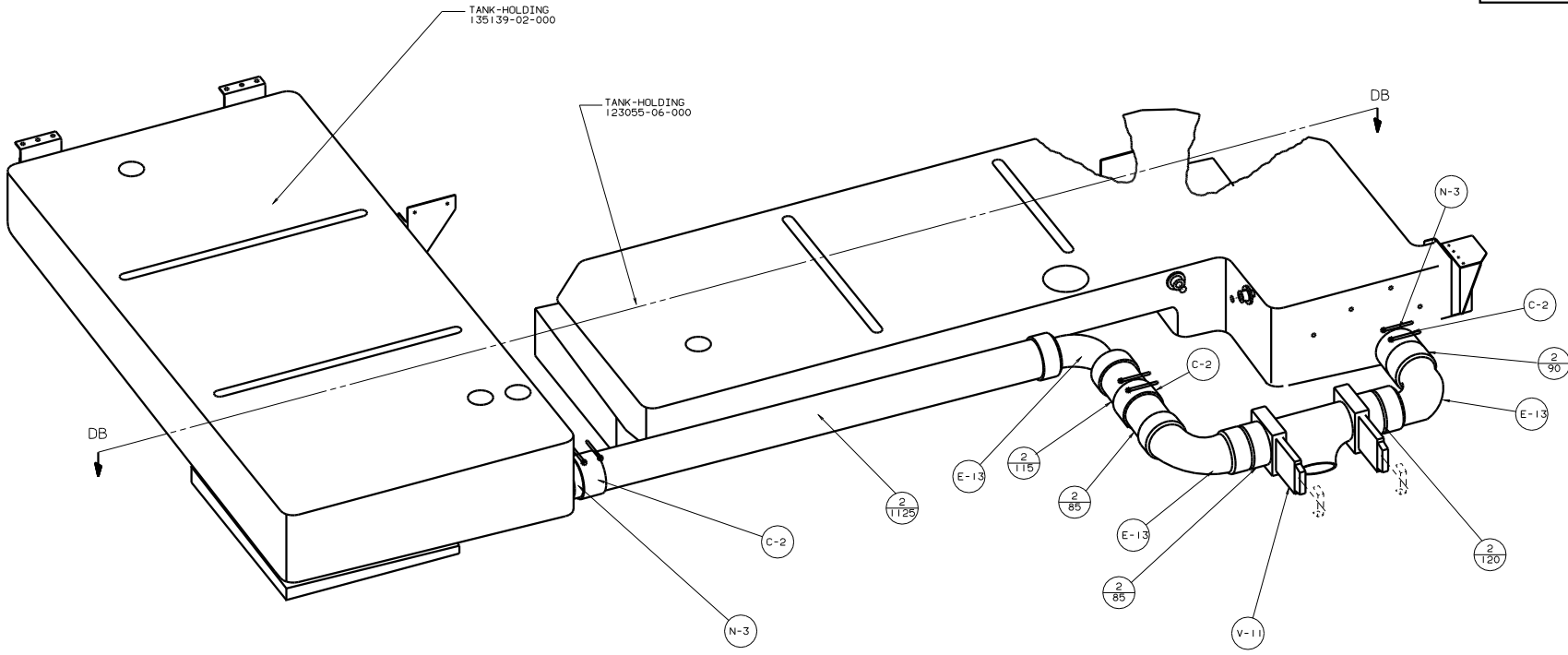
43M WIN



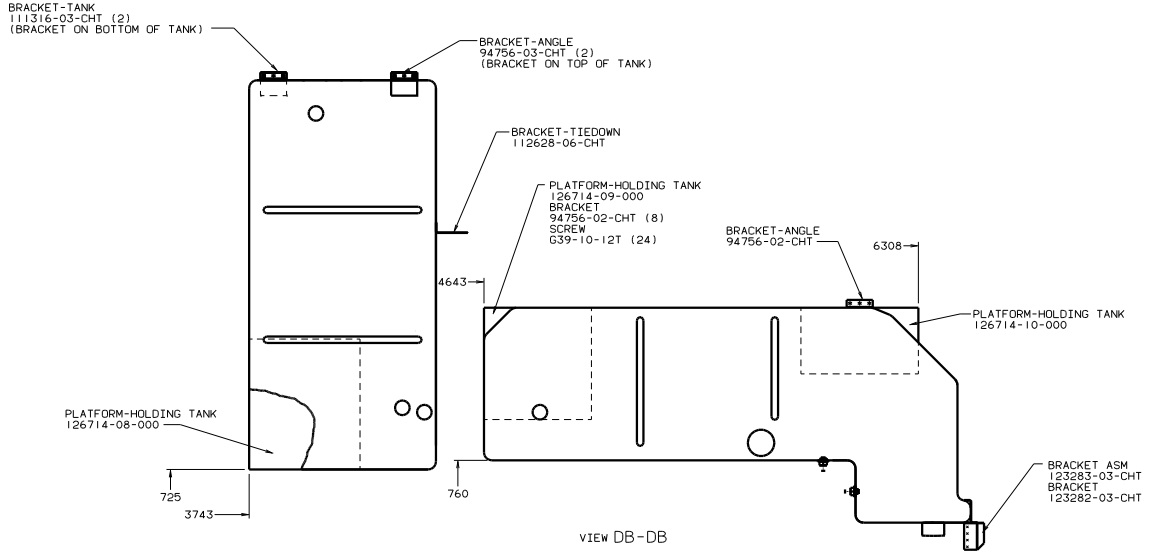
- SINK-SST, DOUBLE
- 110654-01-000
- STRAINER
- 92303-01-000 (2)
- SEAL
- 91255-02-000 (A/R)
- SCREW
- G67-06-10U (2)
- WASHER-RUBBER
- 127440-02-CHT (2)
- RETAINER
- 44B 81828-01-CHT
- 83699-15-CHT (2)
- 83699-18-CHT
- 83699-19-CHT (3)



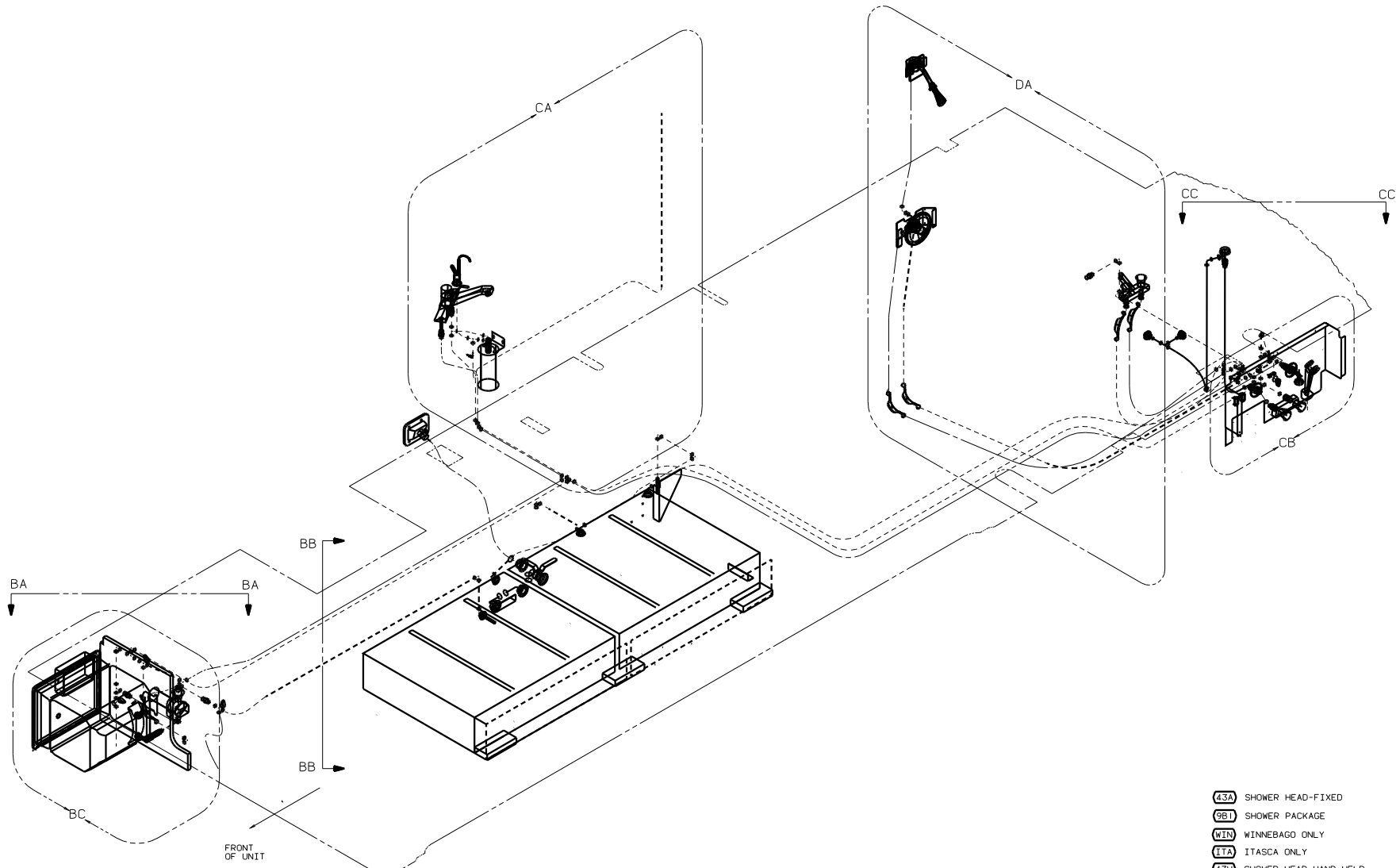
VIEW CA



DETAIL DA



DWG	
135176-01	WINNEBAGO
135176-02	ITASCA



- FRONT OF UNIT
8. APPLY DECAL INSIDE OF UPPER SHOWER HEAD HOLDER TO RETAIN HAND SHOWER UNIT INSIDE HOLDER.
  7. PRE-DRILL SHOWER SURROUND WITH 5.0 DIA HOLES USING MOUNTING BRACKET AS A TEMPLATE.
  6. ADD TEFLON TAPE 10405-02-000 TO FITTING.
  5. USE DETAIL "DC" IN THIS AREA (BOTH ENDS OF TUBING).
  4. FLUSHING SYSTEM REQUIRES 125697-06-000 INSTRUCTION SHEET.
3. ALL TUBING TO BE SECURED AT 1200 INTERVALS MAX WITH CLAMP 10495-01-000 OR CLIP 91951-01-000 AND SCREW G67-10-12B.
2. TUBING TO BE INSTALLED WITH SUFFICIENT SLOPE TO PROVIDE DRAINAGE TO THE NEAREST VALVE.
1. PLASTIC FITTINGS TO BE SEALED WITH SEALANT 84456-01-000.

- 43A SHOWER HEAD-FIXED
- 9B1 SHOWER PACKAGE
- WIN WINNEBAGO ONLY
- ITA ITASCA ONLY
- 43H SHOWER HEAD-HAND HELD
- 530 WINTERIZING KIT
- 53J WATER HEATER BY-PASS-VALVE
- 15U REFRIGERATOR/FRZR W/ICEMAKER
- 1B2 WTR HTR-10GAL/ELEC/LP/MTRAD

FOR WATER CALLOUTS SEE DWG NO. 116230-01-000

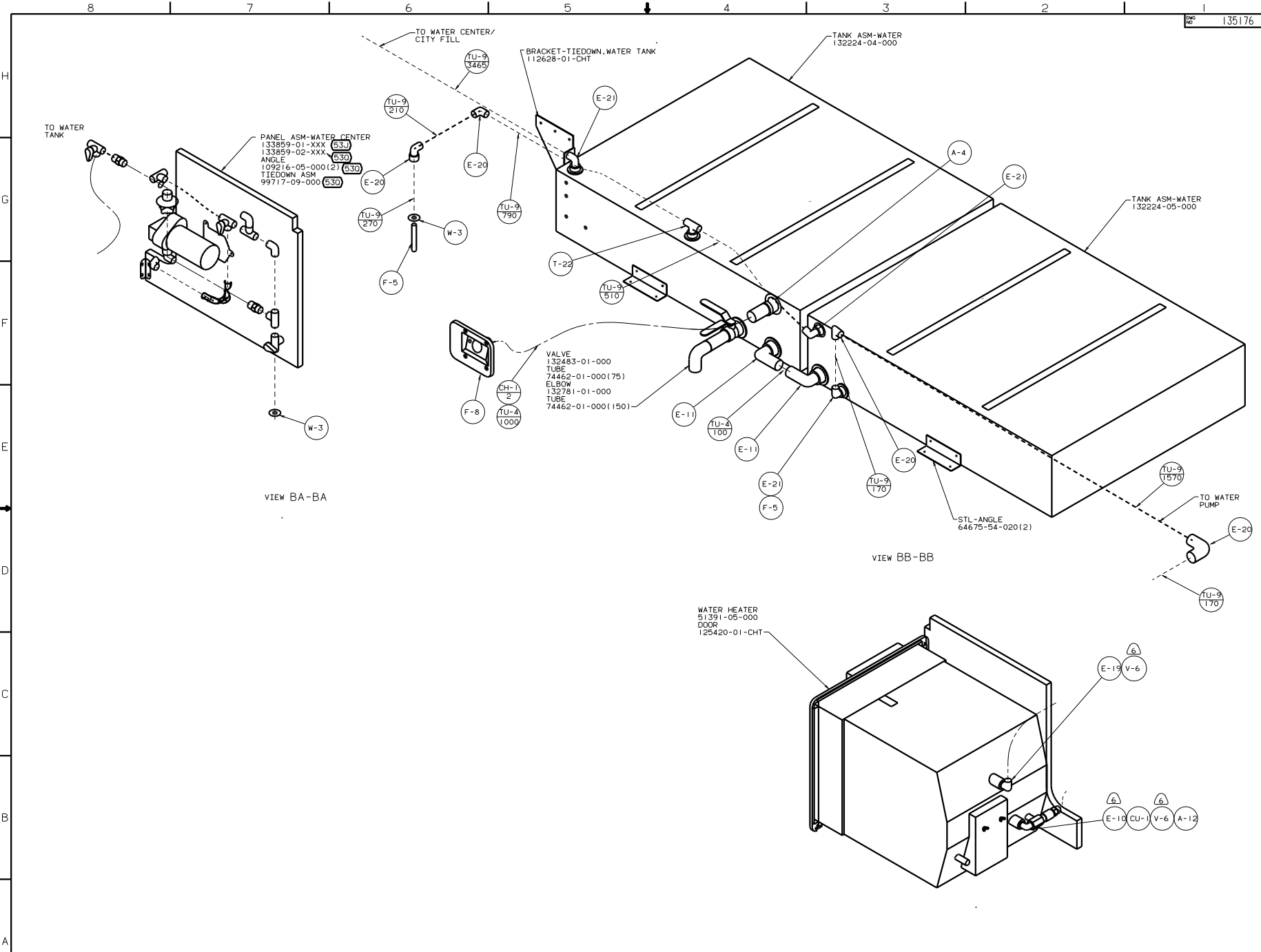
LEGEND	
HOT	●●●●●
COLD	●●●●●

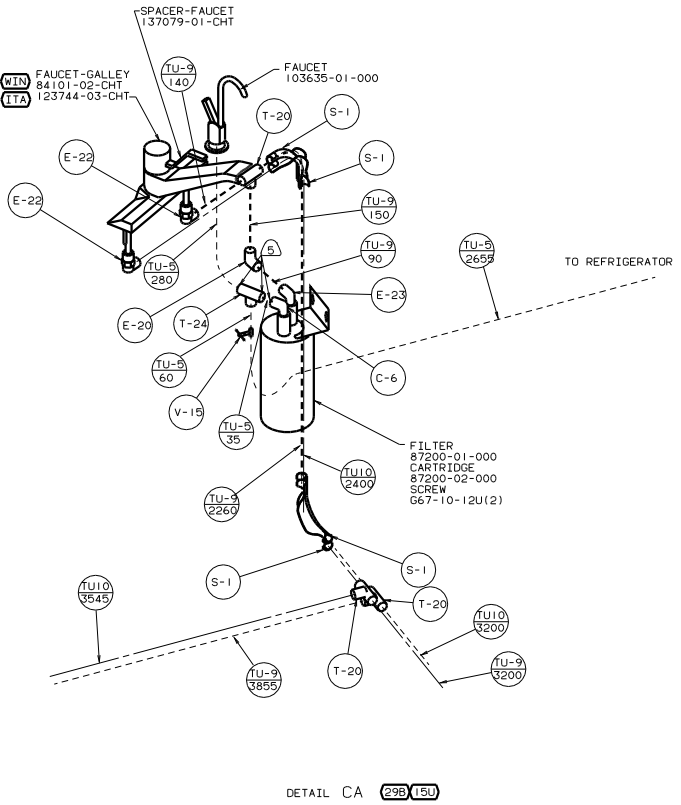
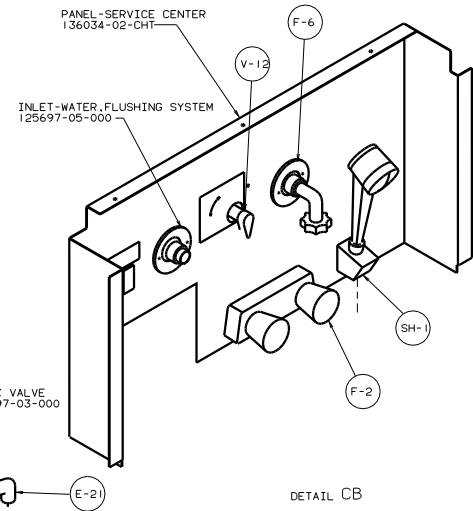
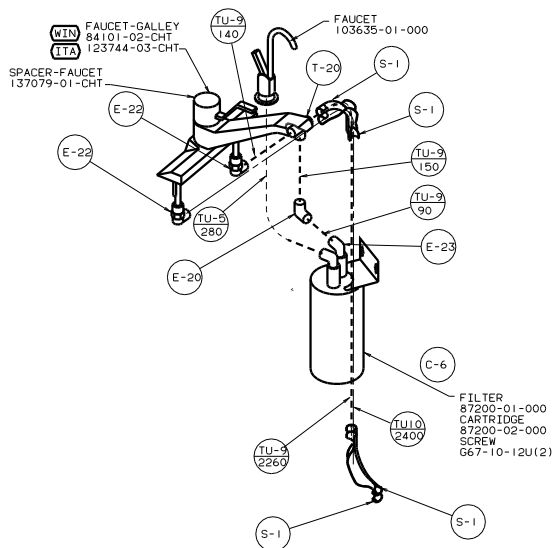
DATE		UNSPECIFIED TOLERANCES ARE:		MATERIAL	
OF IN	DATE	WHOLE DIM (IN)	± .1		
CHP	DATE	ONE-PLACE (IN.X)	± .01		
DFE	DATE	TWO-PLACE (IN.XXX)	± .005		
D/E	DATE	THREE-PLACE (IN.XXX)	± .001		
CDR	DATE	THIRD ANGLE PROJECTION			

WINNEBAGO O1 L35U

TITLE: WATER SYSTEM INSTL

REV 2 SCALE: NONE TO THE SCALE SHOWN FOR DIM ALL DIMENSIONS ARE IN MILLIMETERS SHEET 1 OF 4 135176





DETAIL CA **(29B)**

