

14D

FRONT OF VEHICLE

1. SECURE VENT TUBES TO FLOOR WITH BRACKET 95061-01-000 (2)
 CLAMP 62401-02-000, SCREW G67-10-12B (2).

10. TRIM TO FIT.
9. SECURE PIPES TO CABINET USING WIRE TIE 108046-02-000 AND SCREW G67-10-12U (8).
8. VENT PIPE MUST PROJECT 51 MIN TO 64 MAX ABOVE ROOF FOR PROPER FIT AND FUNCTION.
7. SEE DWG 61607-01-000 FOR INSTL OF GROMMET.
6. SEAL ALL AROUND SHOWER PAN.
5. TRIM TO FIT.
4. ALL EXTERIOR OPENINGS AROUND PIPE TO BE SEALED WITH 110744-01-000.
3. ALL PIPE AND FITTINGS TO BE ASSEMBLED WITH SOLVENT 4020-01-000.
2. SLOPE OF TRAP MUST BE 6 PER 300 MINIMUM.
1. SLOPE OF HORIZONTAL PIPING TO BE 6 PER 300 MINIMUM.

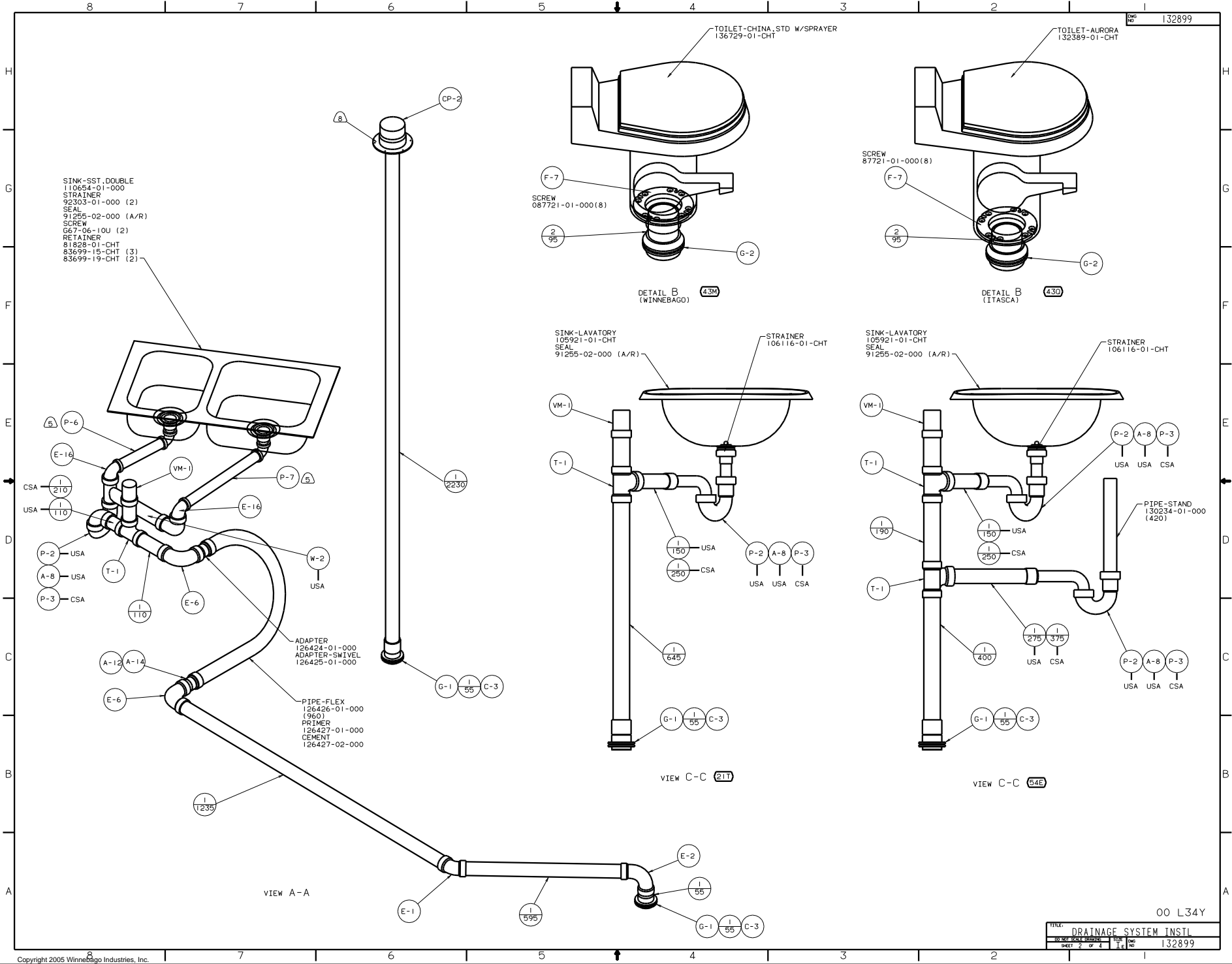
NOTES:

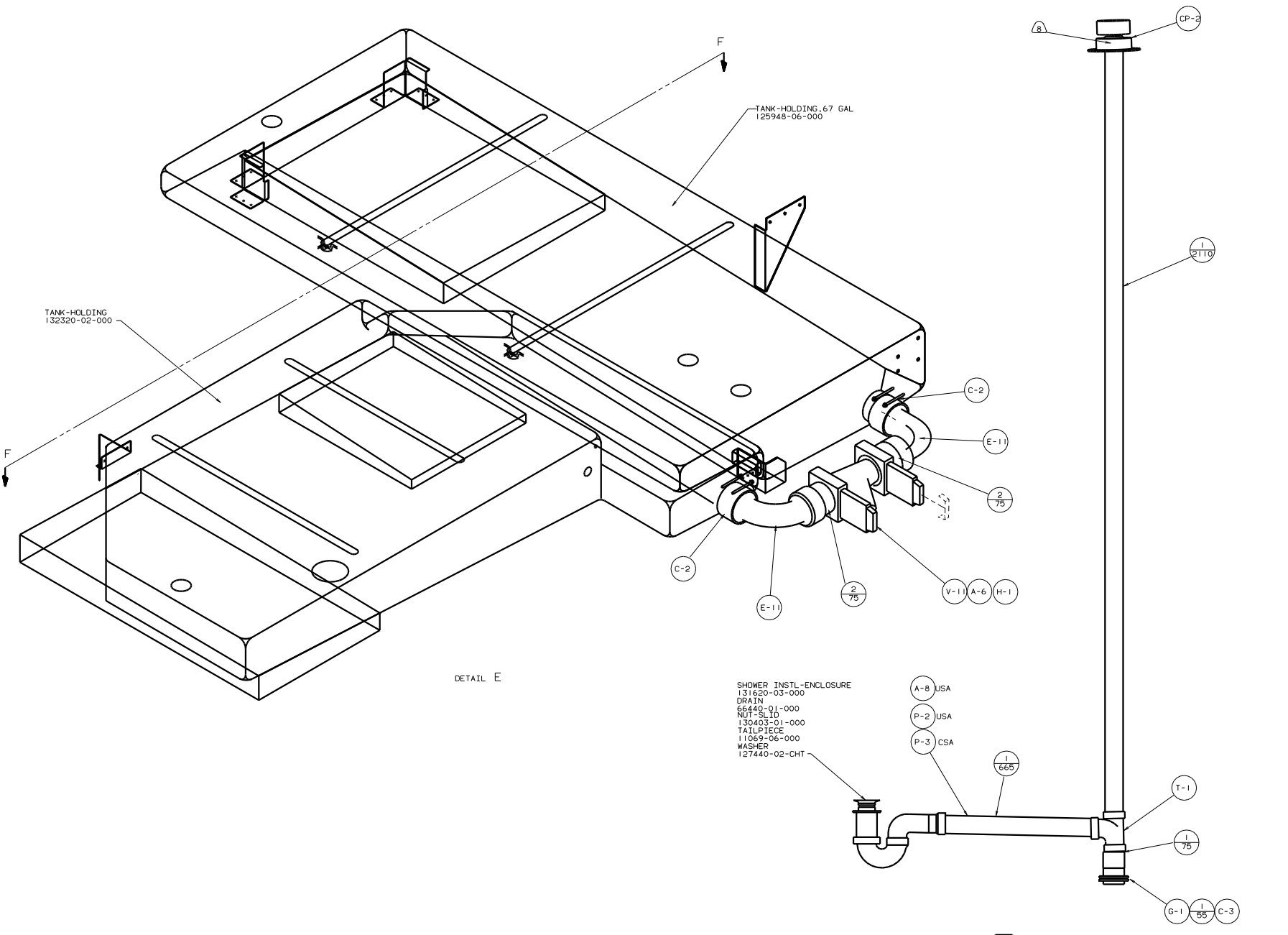
- 43D TOILET-PORCELAIN
- 43M TOILET PORCELAIN-ELONGATE
- 21T WASHER/DRYER-WITHOUT
- 14D SHOWER PACKAGE
- 54E WASHER/DRYER

(X-X)

FOR DRAINAGE CALLOUTS SEE DWG NO. 116229-01-000

WINNEBAGO 00 L34Y	
OF IN DATE	UNSPECIFIED TOLERANCES ARE:
CHP DATE	WHOLE DIM (IN) . . . ± .1
DFE DATE	ONE-PLACE (IN) . . . ± .01
DLE DATE	TWO-PLACE (IN) . . . ± .001
COB DATE	THIRD-PLACE (IN) . . . ± .0005
DATE	PROTECT AGAINST WELD PROTECTION
LAUNCH NO. 00AL34Y	TITLE: DRAINAGE SYSTEM INSTL
DIA # SCALE: NONE	DO NOT SCALE DRAWING
ALL DIMENSIONS ARE IN MILLIMETERS	SHEET 1 OF 4
REF: 129732 M I	132899





TANK-HOLDING
132320-02-000

TANK-HOLDING 67 GAL
125948-06-000

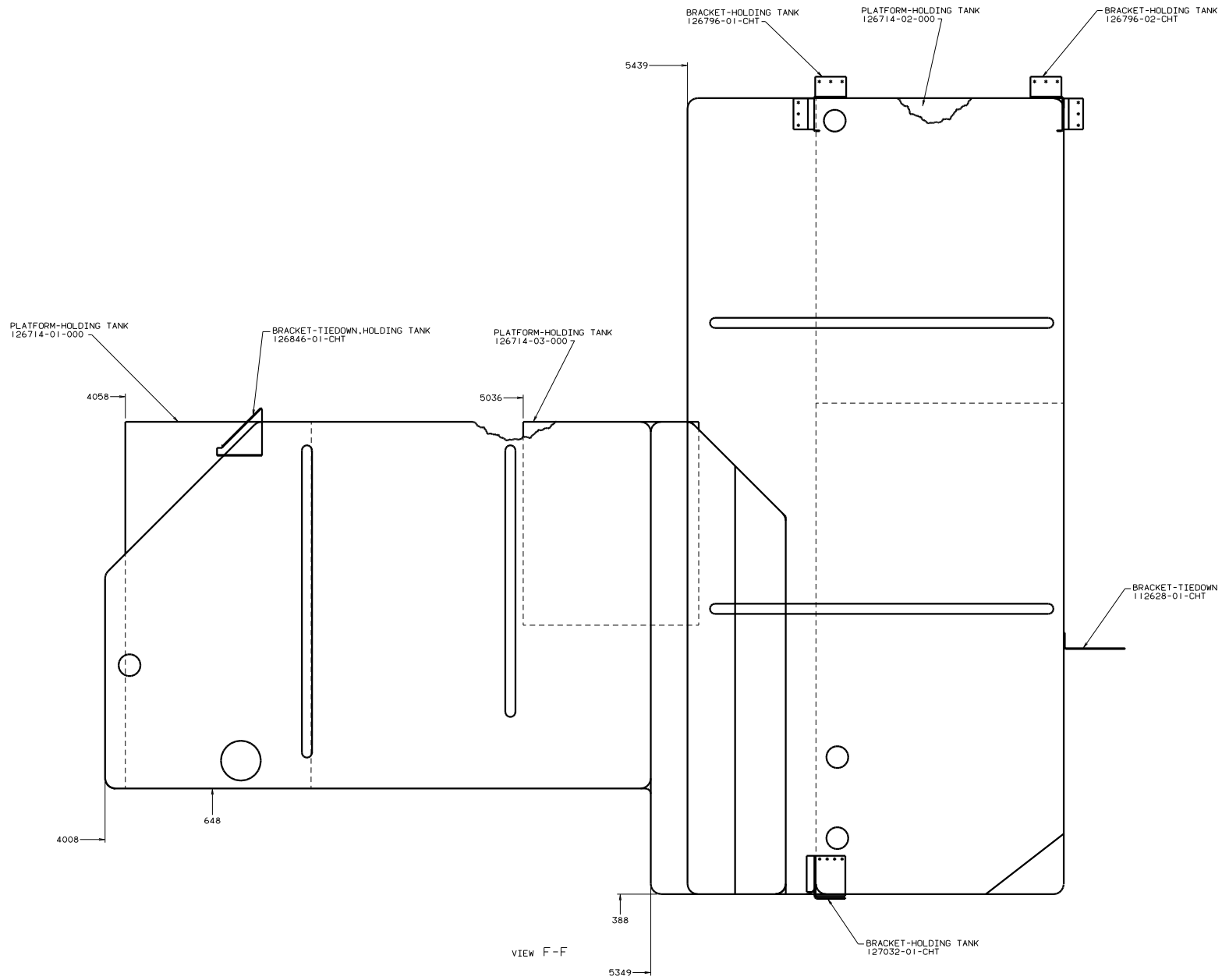
DETAIL E

SHOWER INSTL-ENCLOSURE
131620-03-000
DRAIN
66440-01-000
NUT-SLID
130403-01-000
TAIL PIECE
11069-06-000
WASHER
127440-02-CHT

VIEW D-D (140)

00 L34Y

TITLE: DRAINAGE SYSTEM INSTL	
NO. OF SHEETS: 4	SHEET NO: 3
DATE: 1/85	REV: 1
132899	



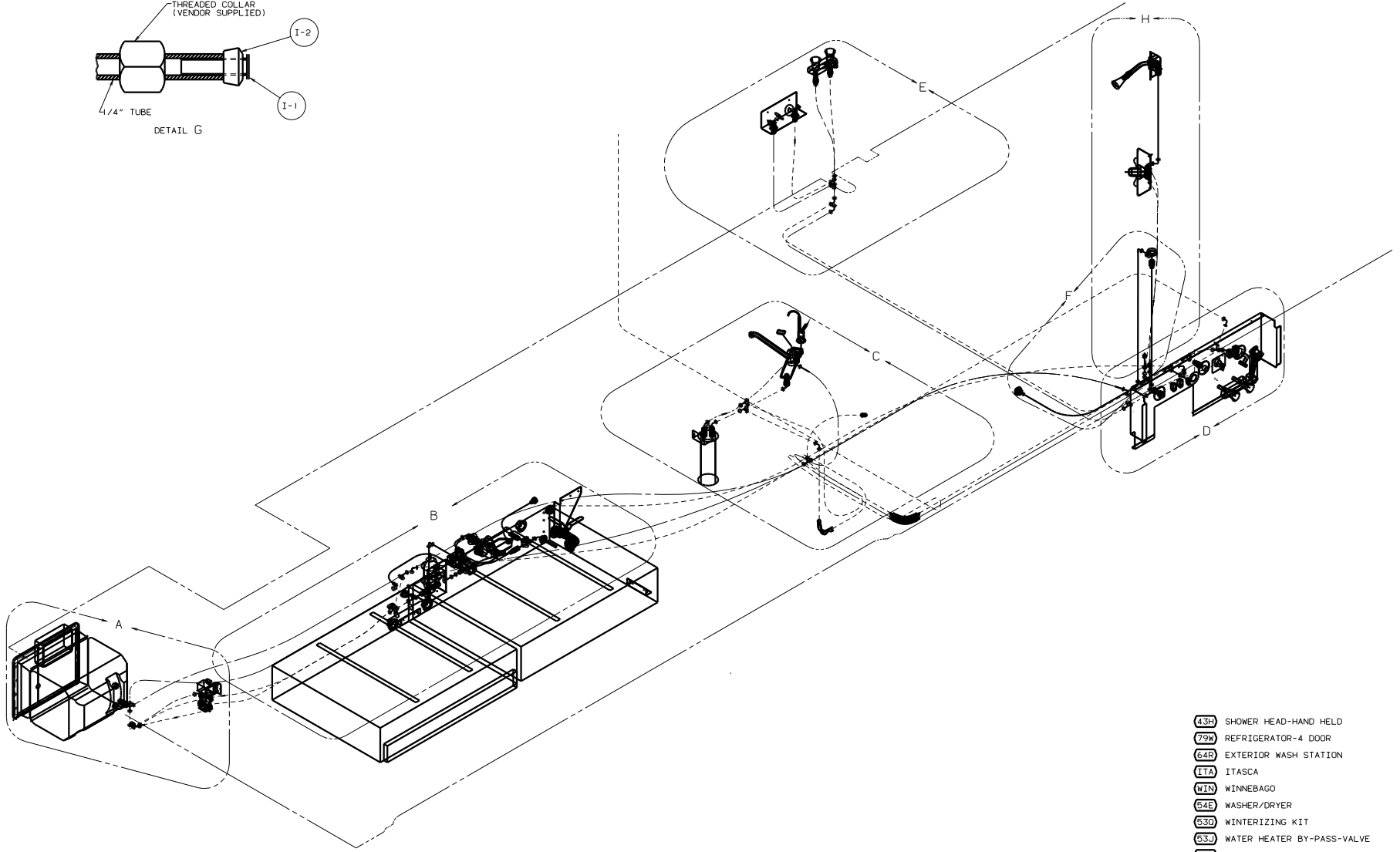
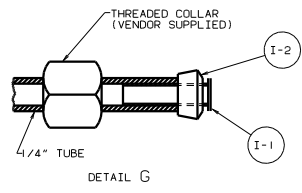
VIEW F-F

00 L34Y

TITLE: DRAINAGE SYSTEM INSTL	
30 THE BUCK BUILDING	1/E
SHEET 4 OF 4	132899

DWG NO
136494-01
136494-02

RELEASE A1 DATE 07/28/05 DWG NO 136494
REV. DATE REVISION RECORD DATE P/EN-DRS



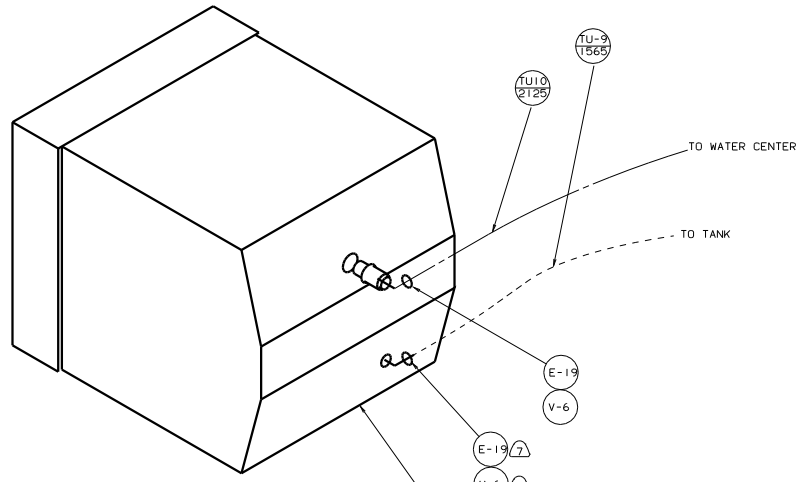
- 5 USE DETAIL "G" IN THIS AREA.
- 4 CLAMPS MUST BE ON BARBS.
3. ALL TUBING TO BE SECURED AT 1200 INTERVALS MAXIMUM WITH CLAMP 10495-01-000 OR CLIP 91951-01-00 AND SCREW G67-10-12B.
2. TUBING TO BE INSTALLED WITH SUFFICIENT SLOPE TO PROVIDE DRAINAGE TO NEAREST VALVE.
1. PLASTIC FITTINGS TO BE SEALED WITH SEALANT 84456-01-000.
- NOTES:

- 10 APPLY DECAL INSIDE OF UPPER SHOWER HEAD HOLDER TO RETAIN HAND SHOWER UNIT INSIDE HOLDER.
- 9 PRE-DRILL SHOWER SURROUND WITH 5.0 DIA HOLES USING MOUNTING BRACKET AS A TEMPLATE.
- 8 ADD TEFLON TAPE 10405-03-000 TO FITTING.
- 7 ADD TEFLON TAPE 10405-02-000 TO FITTING.
- 6 FLUSHING SYSTEM REQUIRES 125697-06-000 INSTL. SHEET.

- 43H SHOWER HEAD-HAND HELD
- 79W REFRIGERATOR-4 DOOR
- 64R EXTERIOR WASH STATION
- ITA ITASCA
- WIN WINNEBAGO
- 64E WASHER/DRYER
- 53D WINTERIZING KIT
- 53S WATER HEATER BY-PASS-VALVE
- 15U REFRIGERATOR/FRZR W/ICEMAKER
- 1B2 WTR HTR-10GAL/ELEC/LP/MTRAIID

LEGEND		DATE		UNDESIGNED TOLERANCES ARE:	
HOT	-----	DATE	DATE	WHOLE DIM (IN)	FRACTION
COLD	-----	DATE	DATE	ONE-PLACE (IN, IN)	FRACTION
		DATE	DATE	TWO-PLACE (IN, IN)	FRACTION
		DATE	DATE	THIRD-PLACE (IN, IN)	FRACTION
		DATE	DATE	THIRD-PLACE (IN, IN)	FRACTION
		DATE	DATE	THIRD-PLACE (IN, IN)	FRACTION

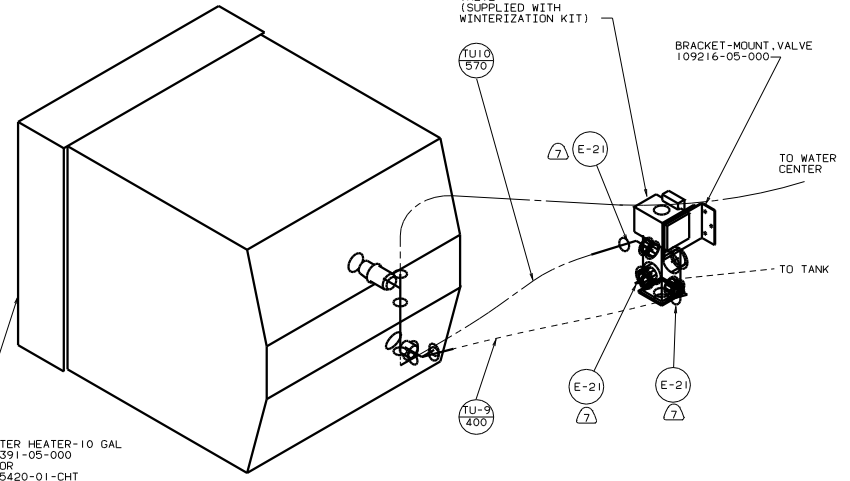
FOR WATER CALLOUTS SEE DWG NO. 116230-01-000		TITLE: WATER SYSTEM INSTL	
LIMIT NO. 134Y	SCALE: NONE	SHEET 1 OF 7	DWG NO. 136494
ALL DIMENSIONS ARE IN MILLIMETERS			



DETAIL A

1B2
53J

WATER HEATER-10 GAL
51391-05-000
DOOR
125420-01-CHT
PLATE-WATER HEATER
133224-01-CHT
(TAB GOES DOWN)
SCREW
G39-10-10T(16)



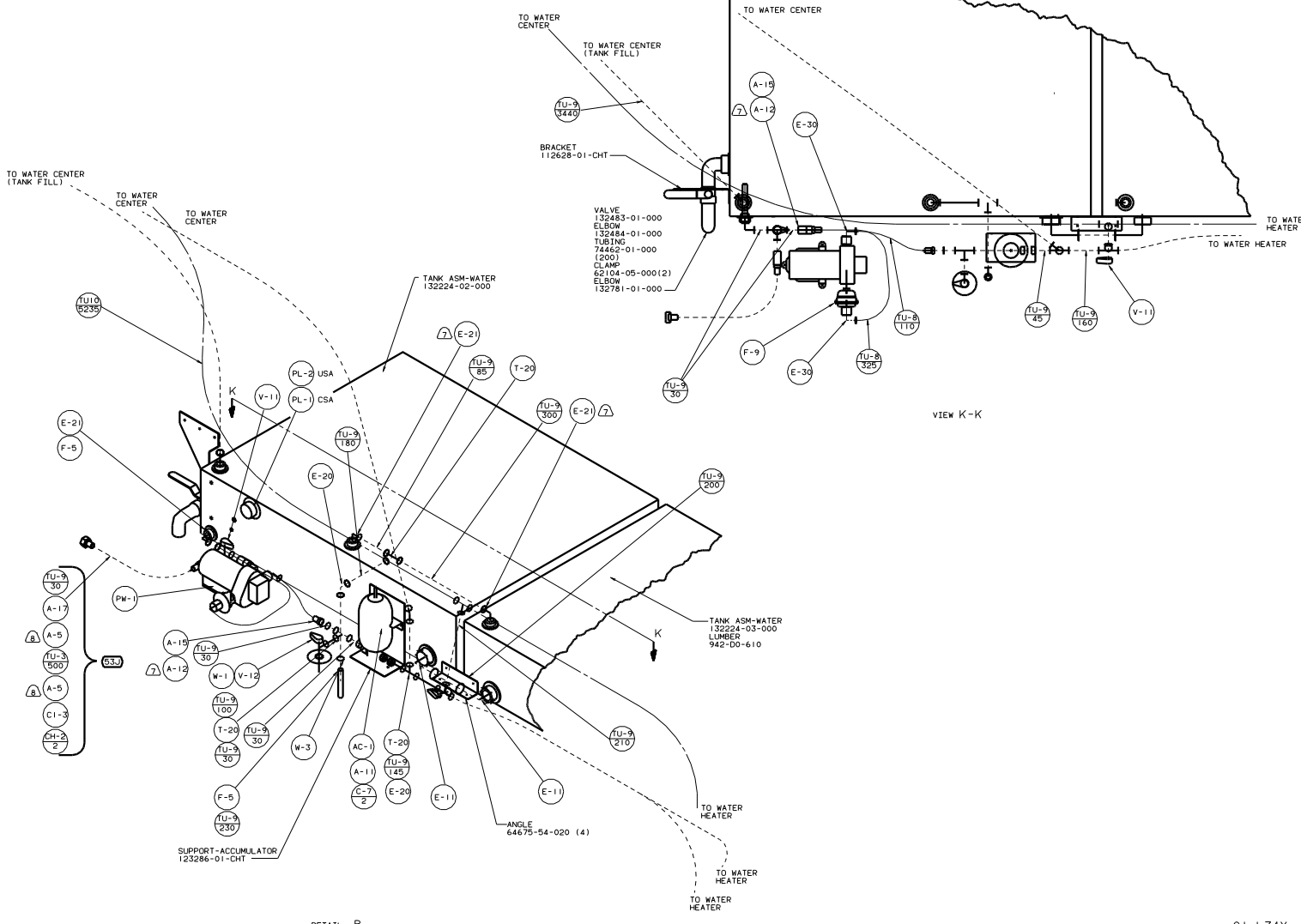
DETAIL A

53D
1B2

WATER HEATER-10 GAL
51391-05-000
DOOR
125420-01-CHT
PLATE-WATER HEATER
133224-01-CHT
(TAB GOES DOWN)
SCREW
G39-10-10T(16)

01 L34Y

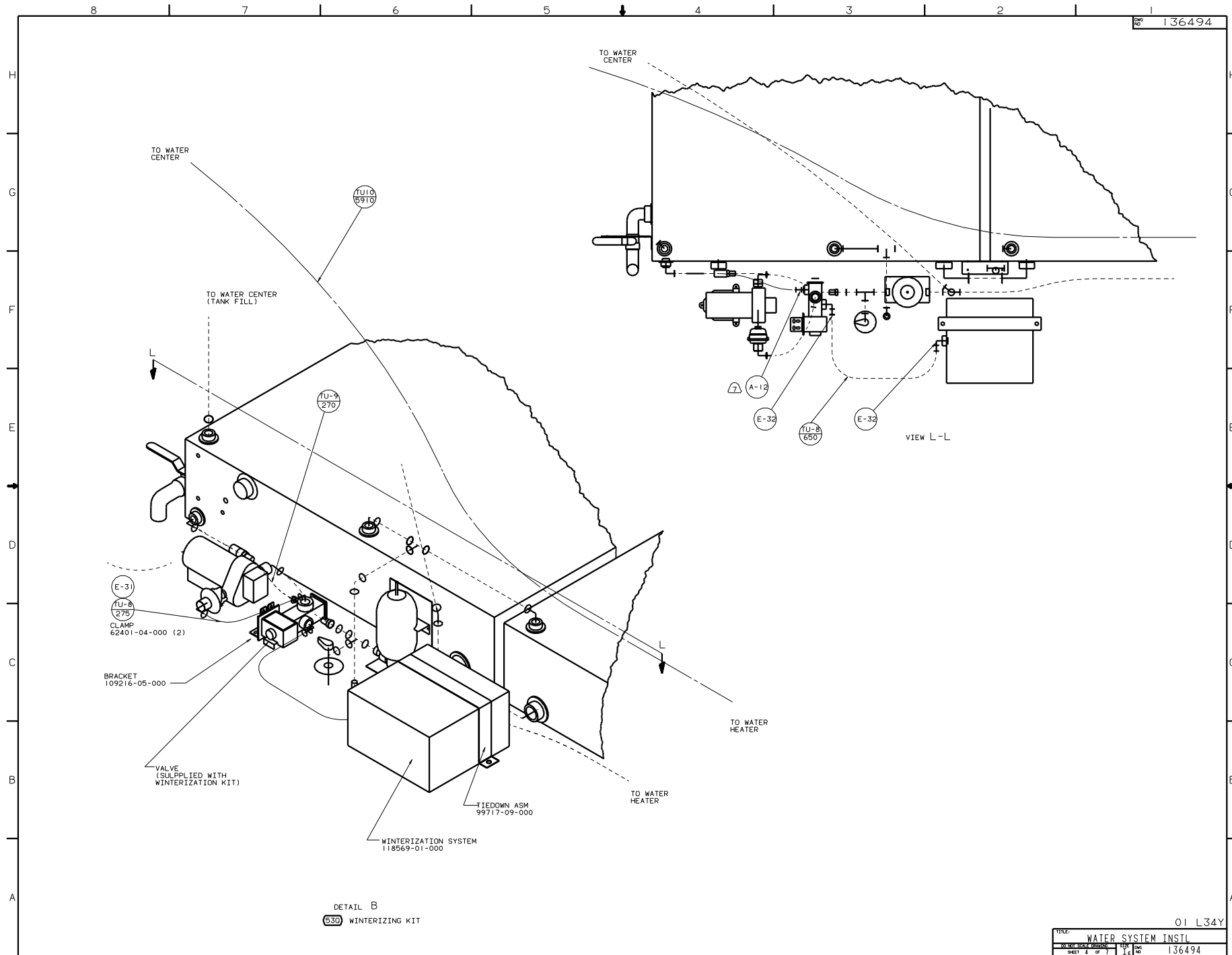
TITLE		WATER SYSTEM INSTL	
DO NOT SCALE DRAWING	FIG. NO.	1	136494
SHEET 2 OF 7	REV.		



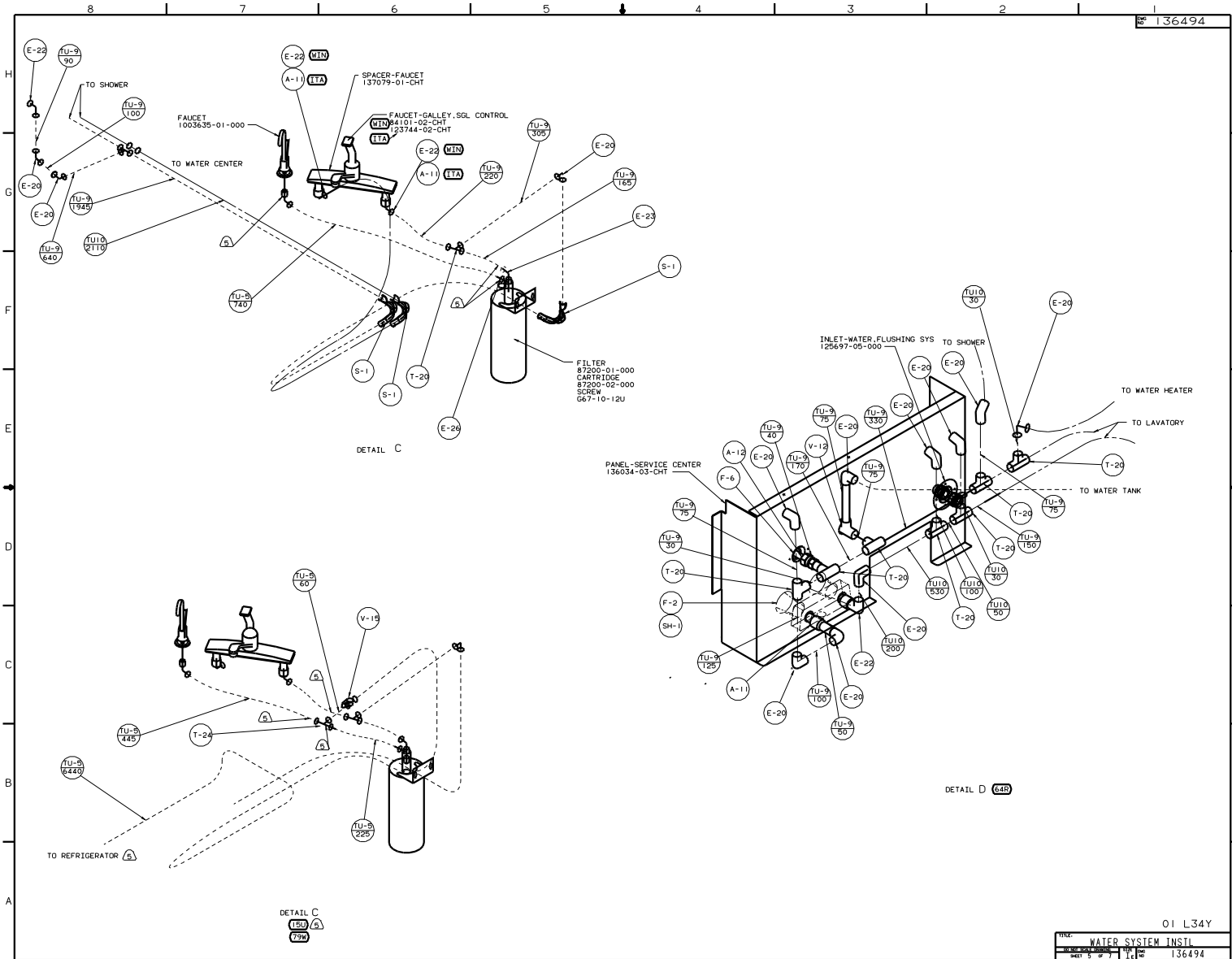
- VALVE 132483-01-000
- ELBOW 132484-01-000
- TUBING 74462-01-000
- CLAMP 62104-05-000(2)
- ELBOW 132781-01-000

VIEW K-K

DETAIL B



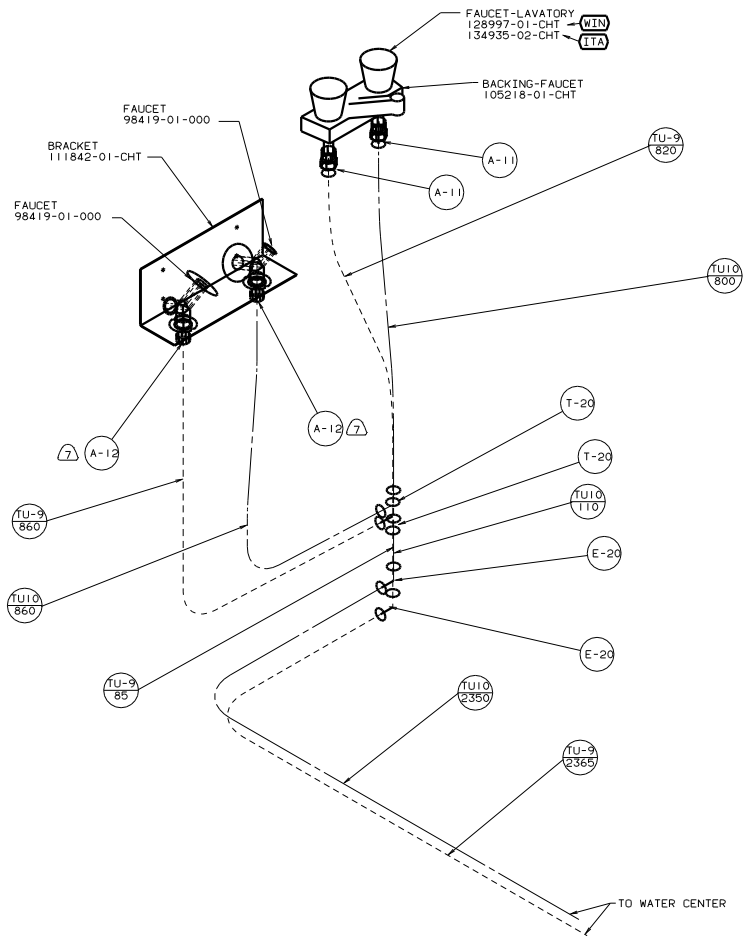
DETAIL B
530 WINTERIZING KIT



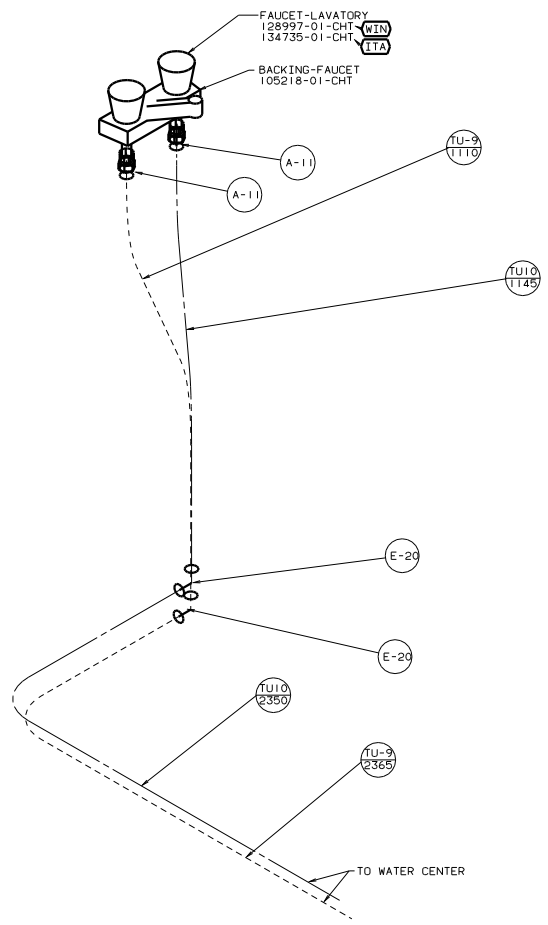
DETAIL C

DETAIL D (645)

DETAIL C (150) (790)



DETAIL E (54E)



DETAIL E (211)

