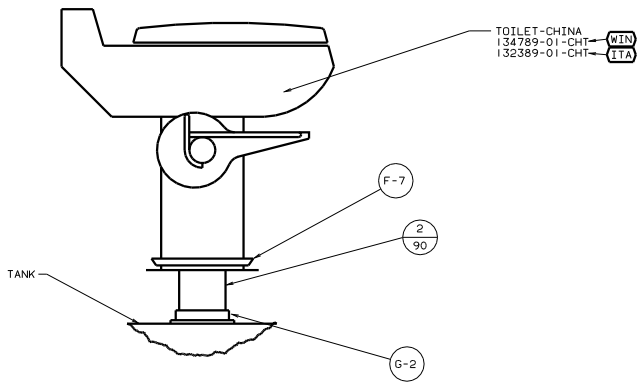
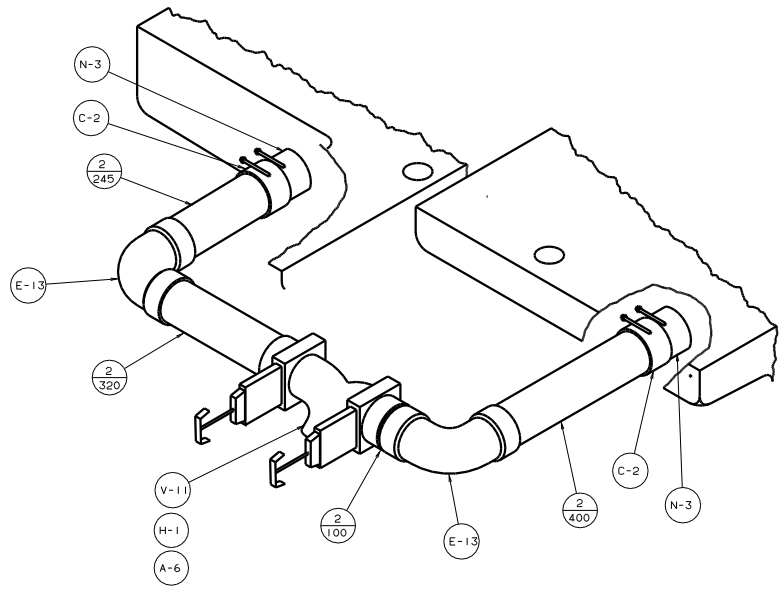
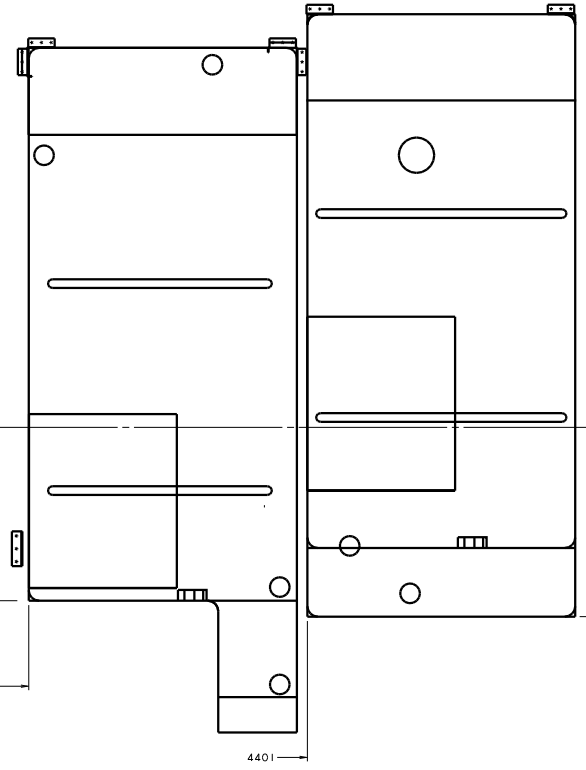
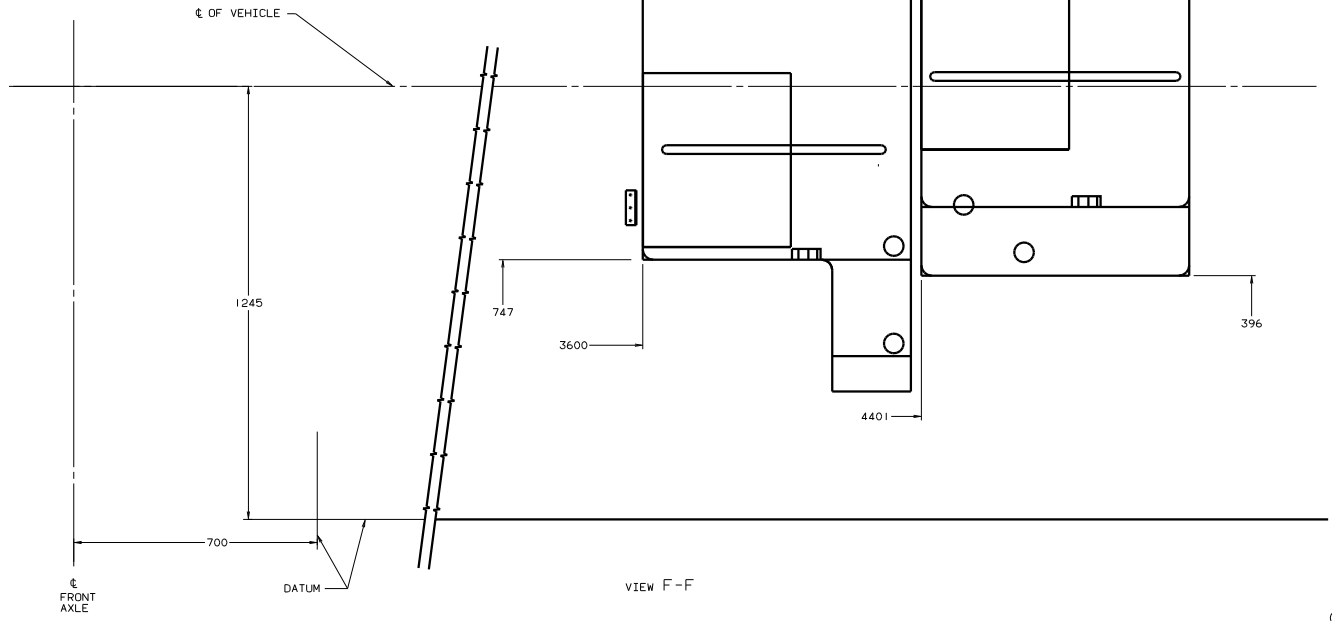
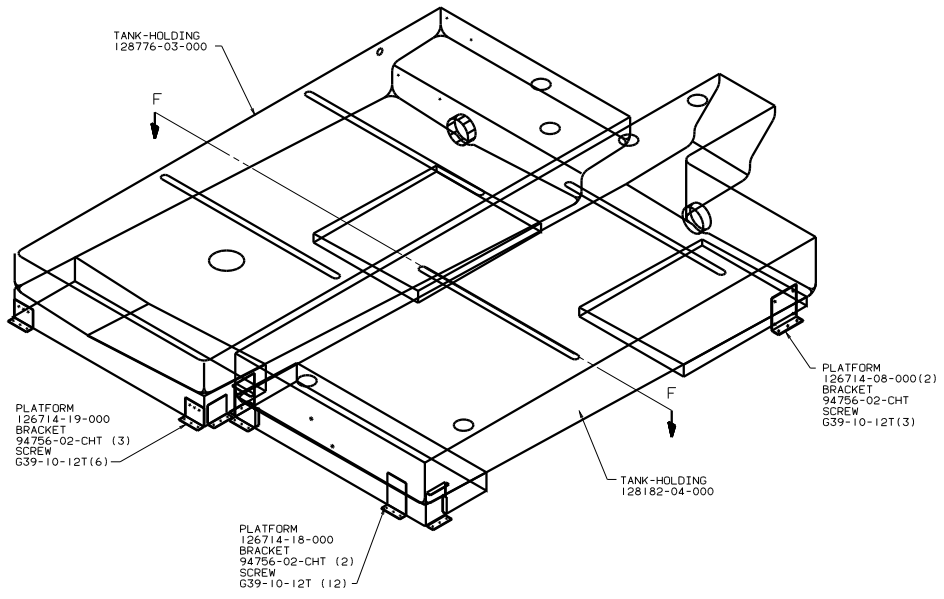


VIEW A-A

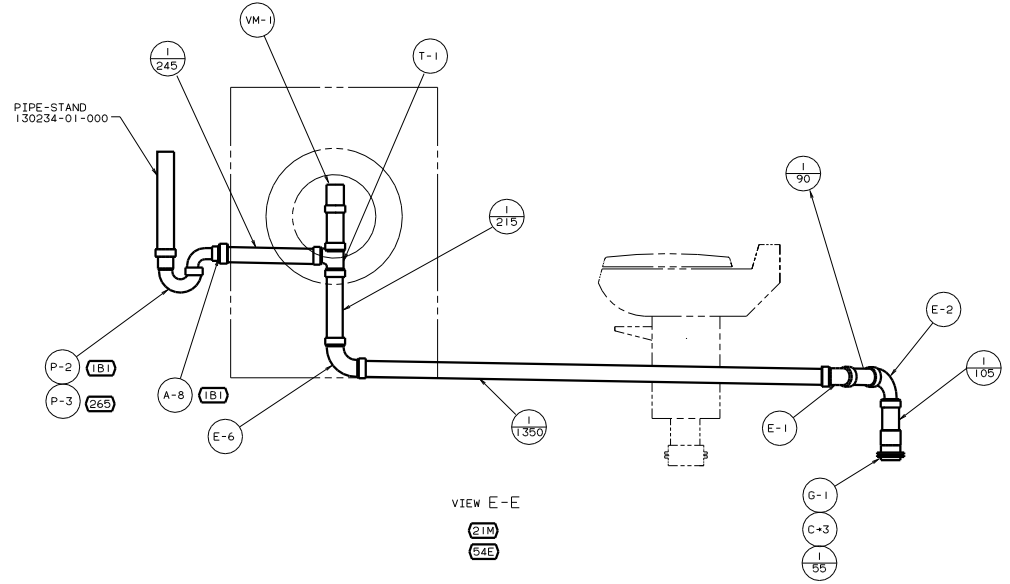
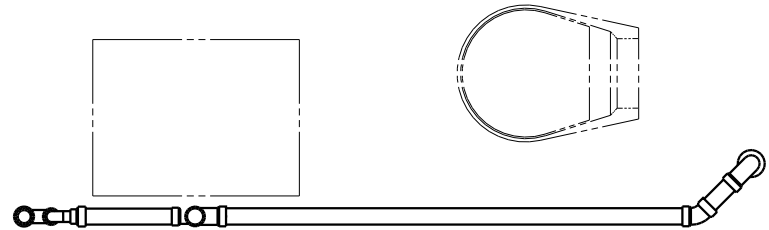


VIEW B-B



01 G37G

TITLE: DRAINAGE SYSTEM INSTL		DWG NO: 134880	
DO NOT SCALE DRAWING	SHEET 3 OF 4	REV	1/E



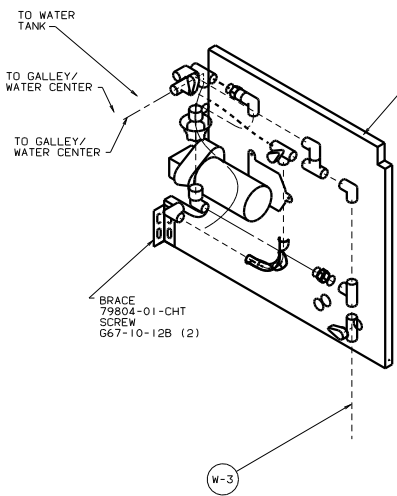
VIEW E-E

21M
54E

01 G37G

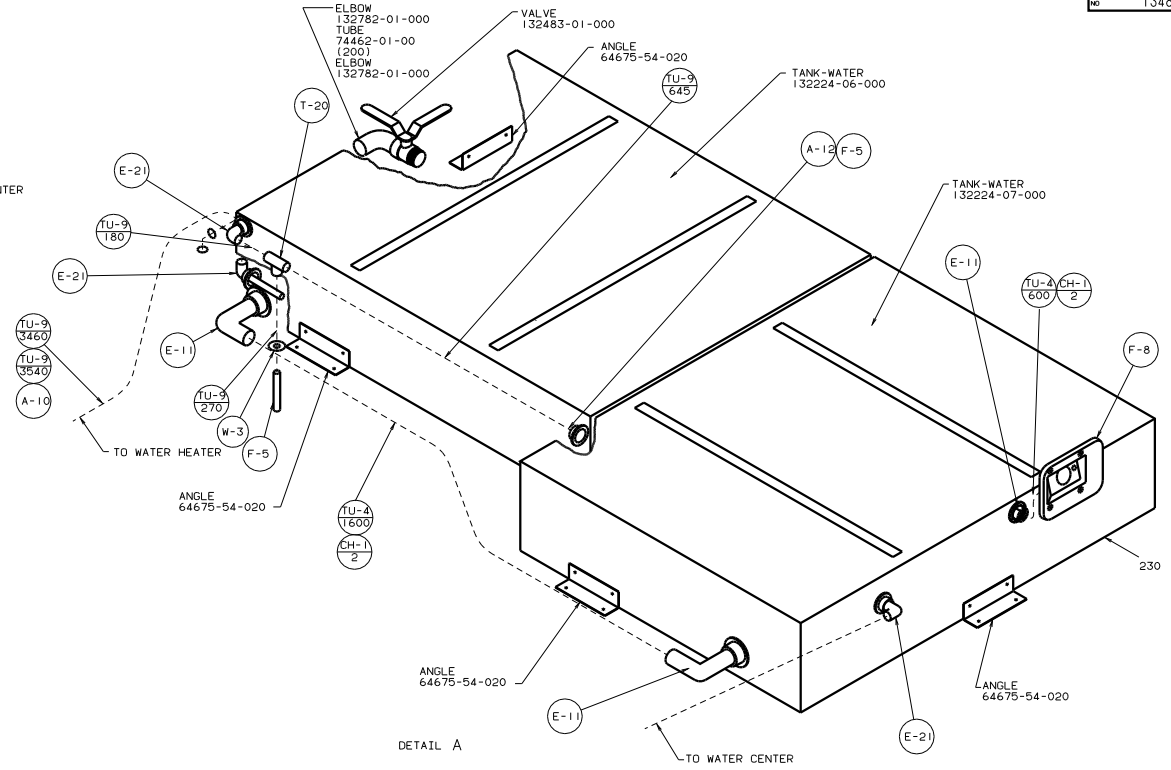
TITLE: DRAINAGE SYSTEM INSTL	
DATE: 01/01/00	REV: 1.0
SHEET: 4 OF 4	FIG NO: 134880

H
G
F
E
D
C
B
A

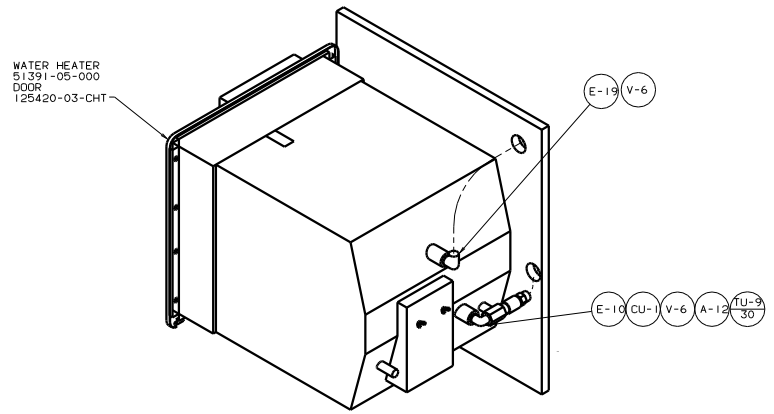


PANEL ASM-WATER CENTER
132868-01-XXX

VIEW B-B

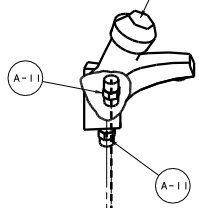


DETAIL A



DETAIL C 1B2

FAUCET-LAV
128997-01-CHT
134735-02-CHT

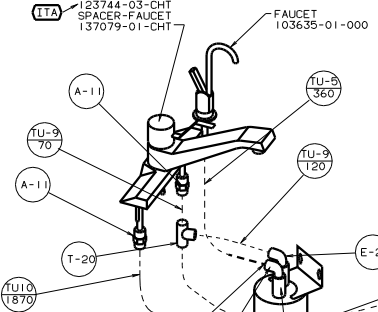


TO REFRIGERATOR

TO WATER TANK

VIEW F-F

FAUCET-GALLEY
104114-03-CHT
123744-03-CHT
SPACER-FAUCET
137079-01-CHT

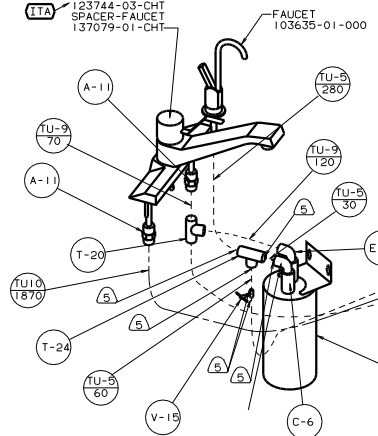


TO DETAIL J

FILTER
87200-01-000
CARTRIDGE
87200-02-000
SCREW
G67-10-12U (2)

DETAIL D (29B)

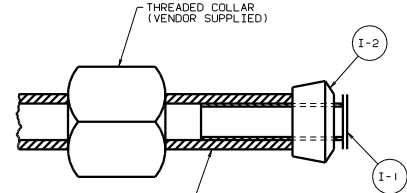
FAUCET-GALLEY
104114-03-CHT
123744-03-CHT
SPACER-FAUCET
137079-01-CHT



TO DETAIL J

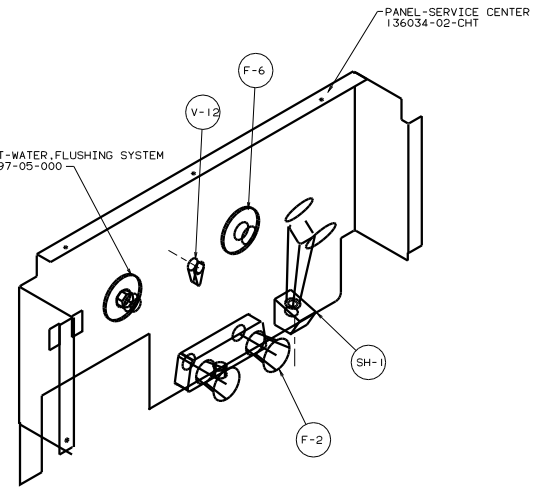
FILTER
87200-01-000
CARTRIDGE
87200-02-000
SCREW
G67-10-12U (2)

DETAIL D (29B) (15U)



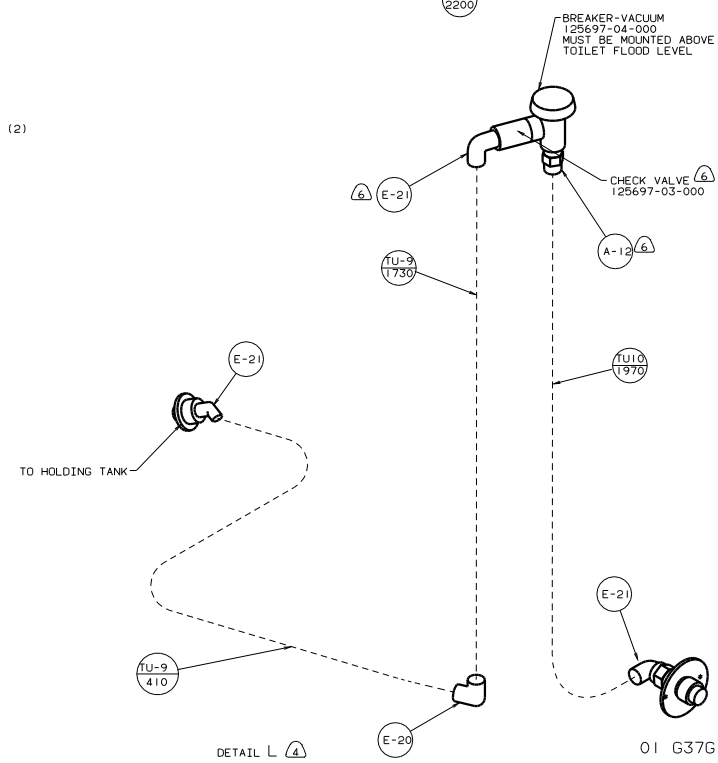
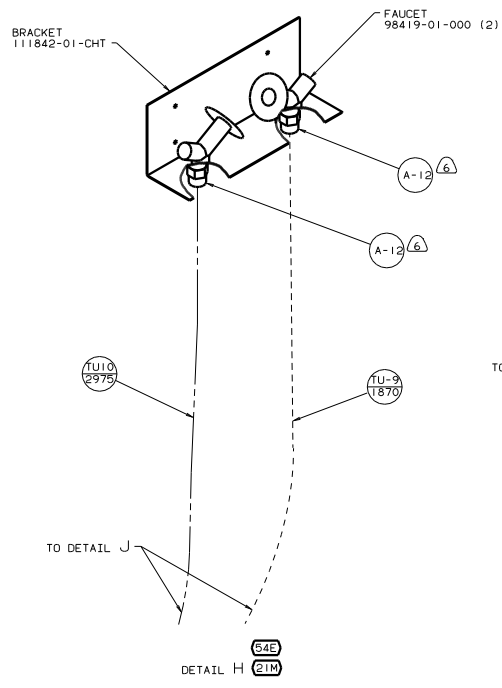
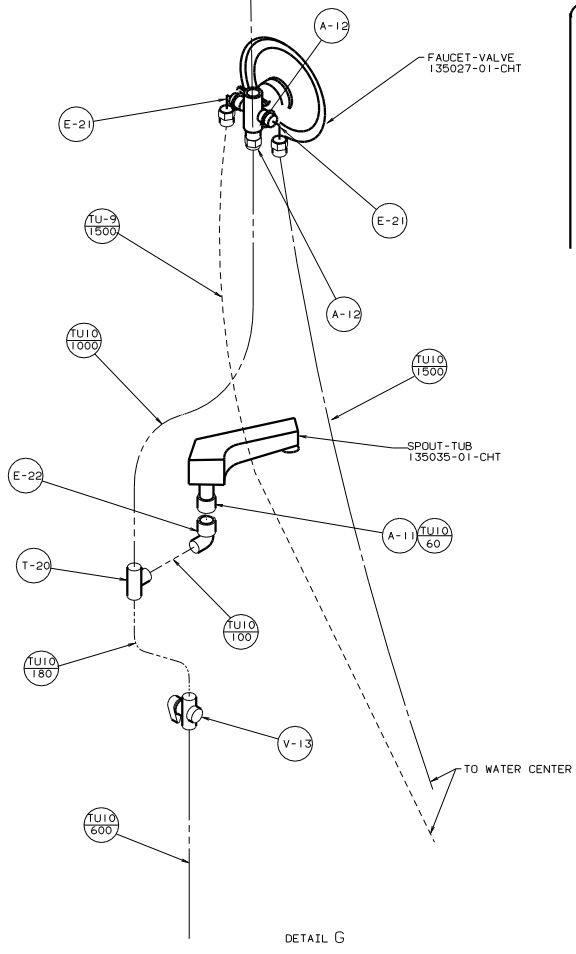
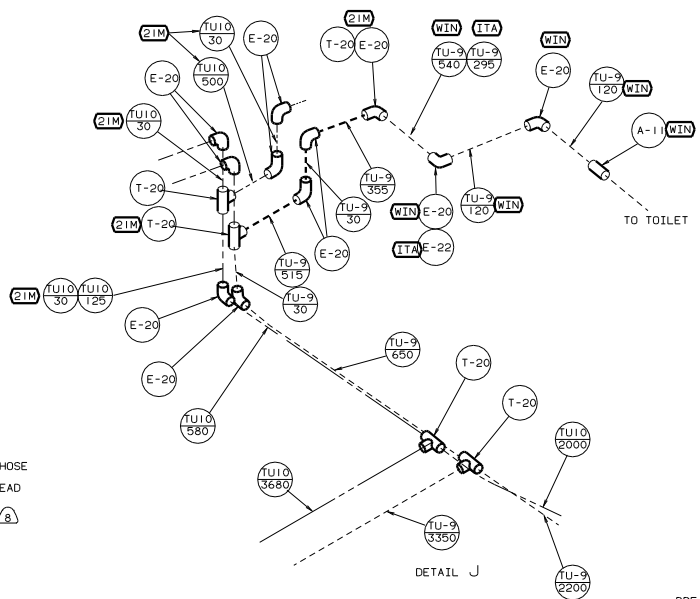
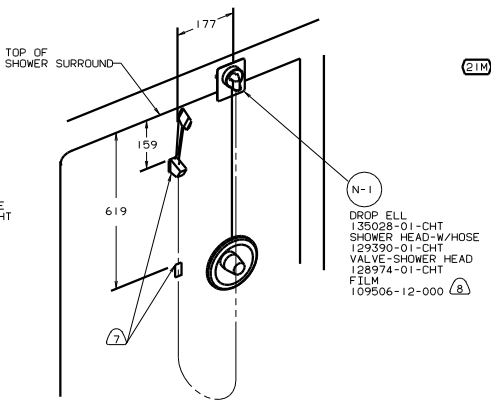
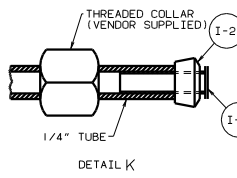
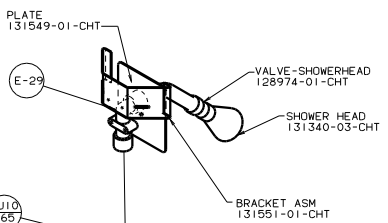
DETAIL K

INLET-WATER, FLUSHING SYSTEM
125697-05-000



DETAIL E

H
G
F
E
D
C
B
A



TITLE		WATER SYSTEM INSTL	
NO	DATE	BY	CHK
1			
SHEET 4 OF 4		134879	