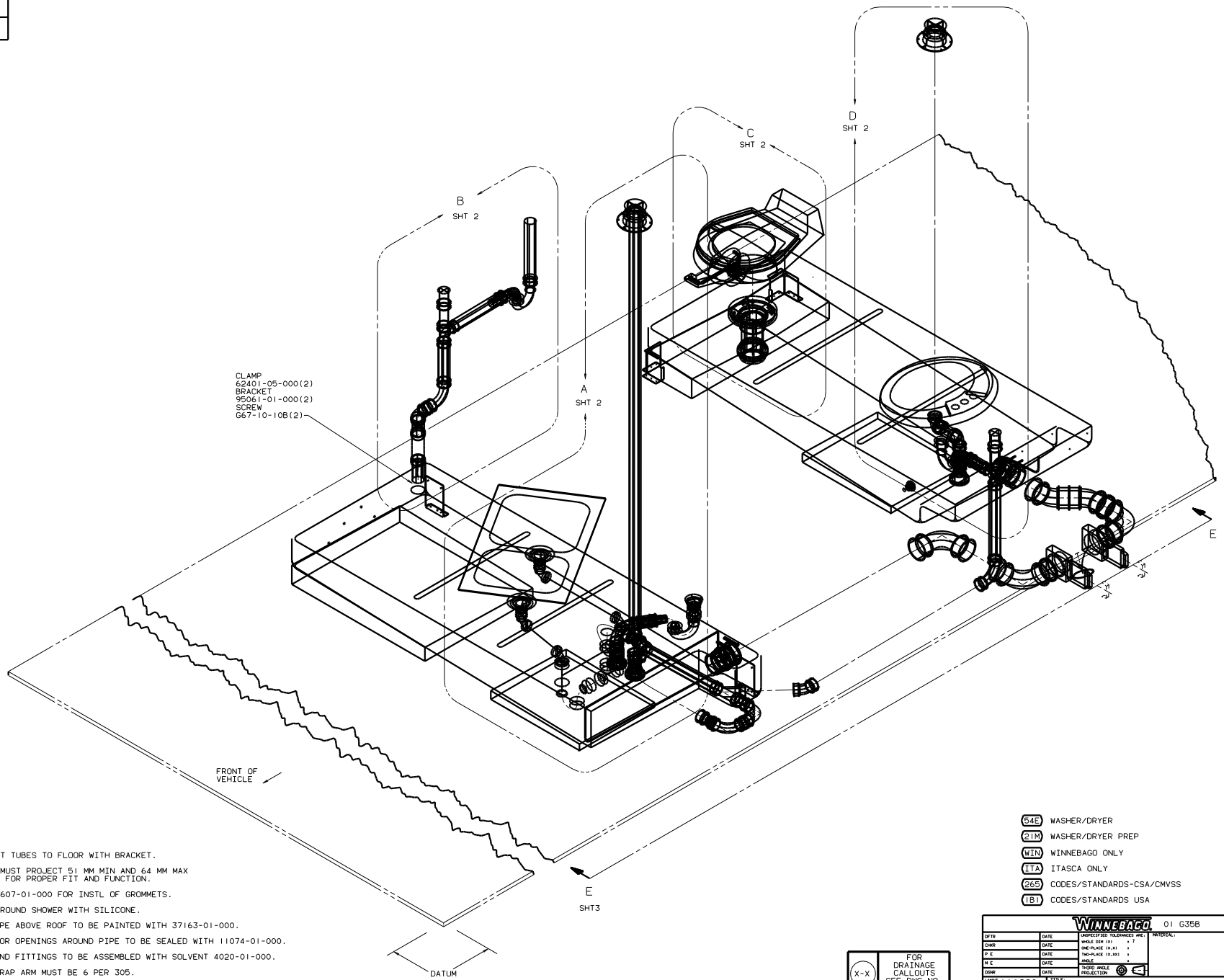


DWG NO	
136163-01	(WIN)
136163-02	(ITA)

RELEASE BY	DATE	BY	NO	136163
REV				
REV				
REV				



CLAMP
62401-05-000 (2)
BRACKET
95061-01-000 (2)
SCREW
G67-10-10B (2)

FRONT OF
VEHICLE

DATUM

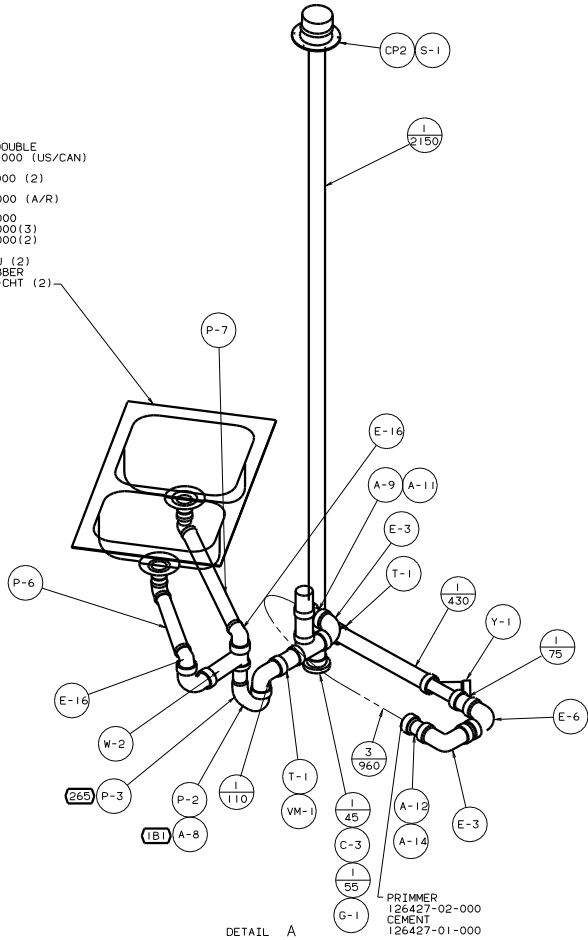
9. SECURE VENT TUBES TO FLOOR WITH BRACKET.
8. VENT PIPE MUST PROJECT 51 MM MIN AND 64 MM MAX ABOVE ROOF FOR PROPER FIT AND FUNCTION.
7. SEE DWG 61607-01-000 FOR INSTL OF GROMMETS.
6. SEAL ALL AROUND SHOWER WITH SILICONE.
5. EXPOSED PIPE ABOVE ROOF TO BE PAINTED WITH 37163-01-000.
4. ALL EXTERIOR OPENINGS AROUND PIPE TO BE SEALED WITH 11074-01-000.
3. ALL PIPE AND FITTINGS TO BE ASSEMBLED WITH SOLVENT 4020-01-000.
2. SLOPE OF TRAP ARM MUST BE 6 PER 305.
1. SLOPE OF HORIZONTAL PIPING TO BE 6 PER 305 MIN.
- NOTES:

- (54E) WASHER/DRYER
- (21M) WASHER/DRYER PREP
- (WIN) WINNEBAGO ONLY
- (ITA) ITASCA ONLY
- (265) CODES/STANDARDS-CSA/CMVSS
- (TBT) CODES/STANDARDS USA

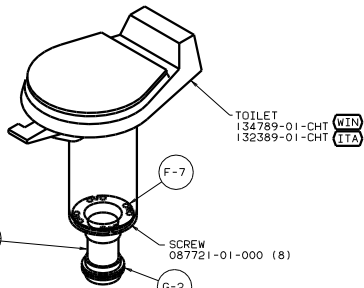
(X-X)
FOR
DRAINAGE
CALLOUTS
SEE DWG NO.
116229-01-000

WINNEBAGO		01 G35B
QTY	DATE	UNSPECIFIED TOLERANCES ARE:
CHP	DATE	WHOLE DIM (1:1)
PIE	DATE	ONE-PLACE (1:1)
D/E	DATE	TWO-PLACE (1:10)
CDR	DATE	THREE-PLACE (1:10)
INCH	DATE	INDIC. W/ANGLE
MILL	DATE	INDIC. W/ANGLE
PROJECTION	DATE	INDIC. W/ANGLE
LAYOUT NO.	00G35B	TITLE:
DIA #	SCALE	NOTE
ALL DIMENSIONS ARE IN MILLIMETERS	SHEET	1 OF 3
DRAINAGE SYSTEM INSTL		136163

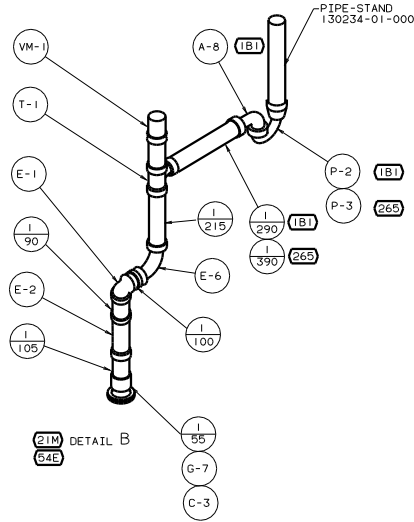
SINK-SST_DOUBLE
 110654-01-000 (US/CAN)
 STRAINER
 92303-01-000 (2)
 SEAL
 91255-02-000 (A/R)
 RETAINER
 83125-02-000
 77351-30-000(3)
 77351-32-000(2)
 SCREW
 G67-06-10U (2)
 WASHER-RUBBER
 127440-02-CHT (2)



DETAIL A

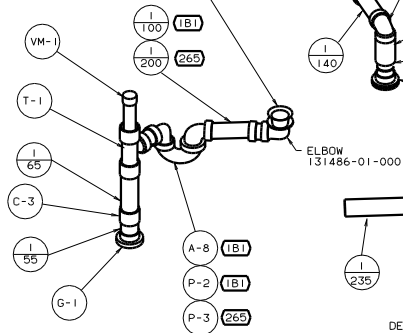


DETAIL C

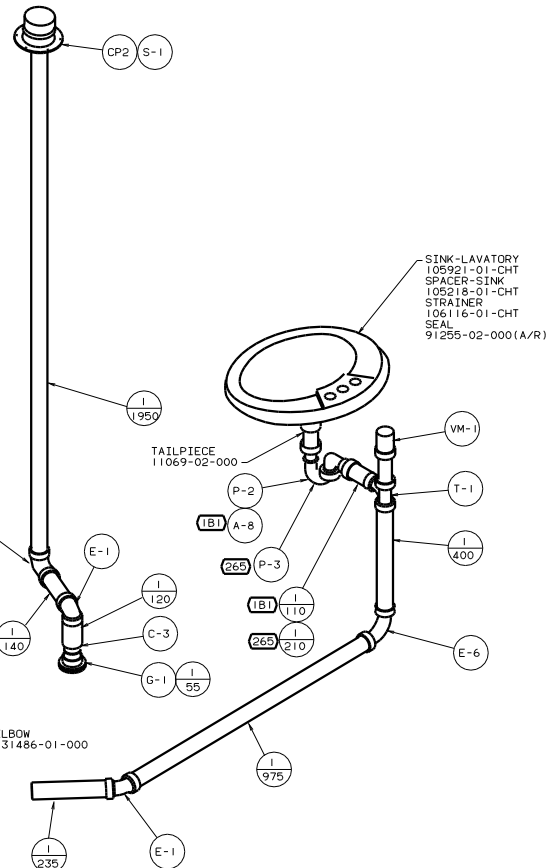


DETAIL B

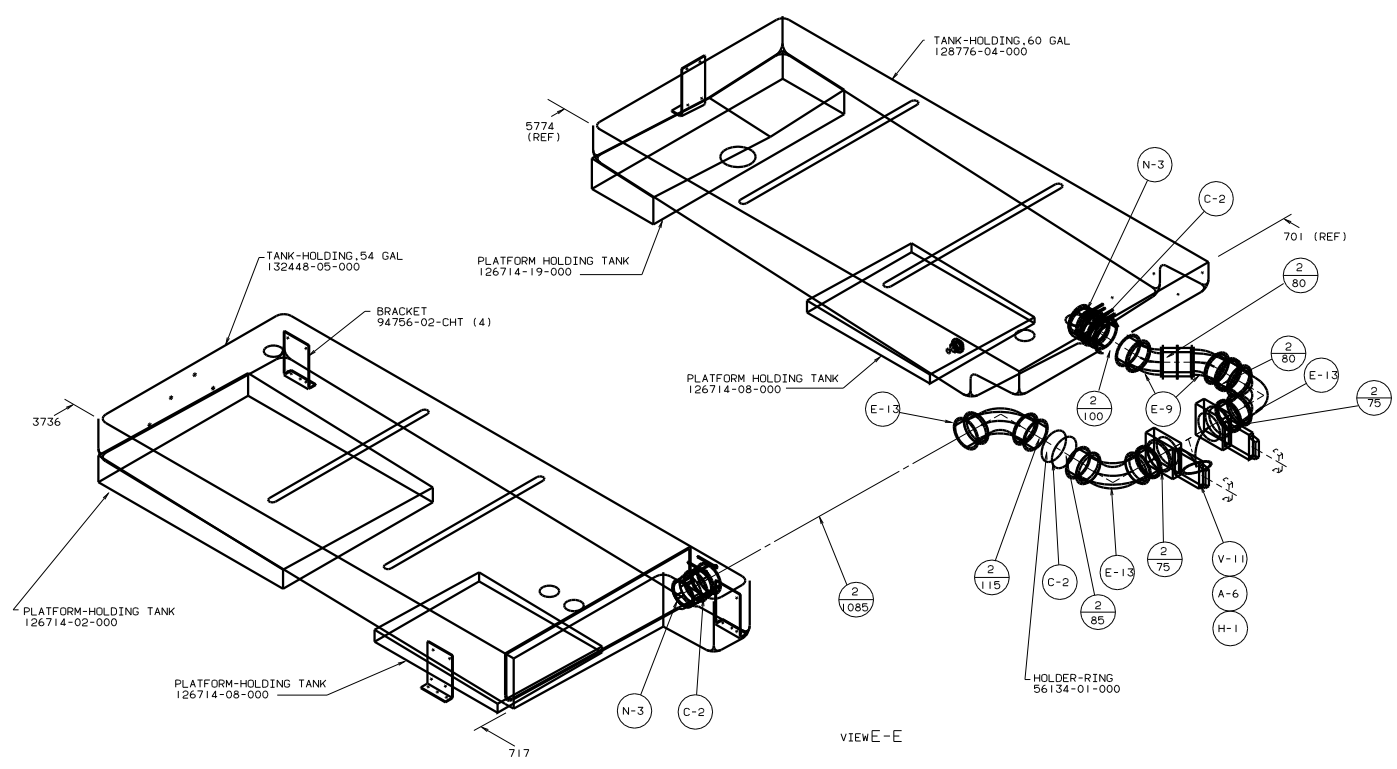
SHOWER-INSTL-ENCLOSURE
 131620-04-000
 DRAIN
 132150-01-CHT
 SEALER
 69640-01-000
 NUT
 130403-01-000
 TAILPIECE
 11069-06-000
 WASHER
 127440-02-CHT



DETAIL D



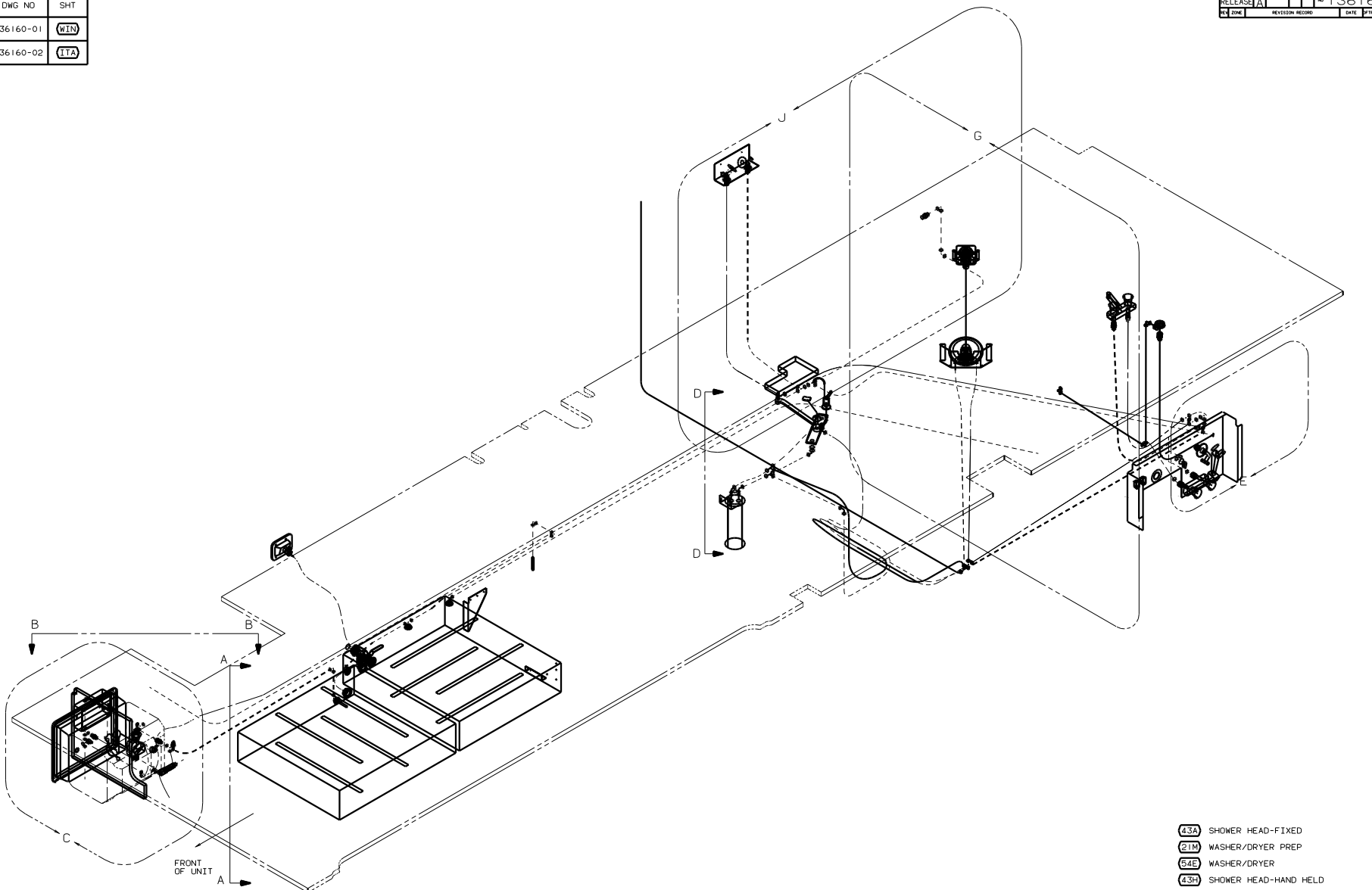
SINK-LAVATORY
 105921-01-CHT
 SPACER-SINK
 105218-01-CHT
 STRAINER
 106116-01-CHT
 SEAL
 91255-02-000 (A/R)



01 G35B

TITLE: DRAINAGE SYSTEM INSTL	
30 THE SCALE LISTING	FIG. NO. 1
SHEET 3 OF 3	136163

DWG NO	SHT
136160-01	(WIN)
136160-02	(ITA)



8. APPLY DECAL INSIDE UPPER SHOWER HEAD HOLDER TO RETAIN HAND SHOWER UNIT INSIDE HOLDER.
7. PRE-DRILL SHOWER SURROUND WITH 5.0 DIA HOLES USING MOUNTING BRACKET AS A TEMPLATE.
6. ADD TEFLON TAPE 10405-02-000 TO FITTING.
5. USE DETAIL "J" IN THIS AREA (BOTH ENDS OF TUBING).
4. FLUSHING SYSTEM REQUIRES 125697-06-000 INSTRUCTION SHEET.
3. ALL TUBING TO BE SECURED AT 1200 INTERVALS MAX WITH CLAMP 10495-01-000 OR CLIP 91951-01-000 AND SCREW G67-10-12B.
2. TUBING TO BE INSTALLED WITH SUFFICIENT SLOPE TO PROVIDE DRAINAGE TO THE NEAREST VALVE.
1. PLASTIC FITTINGS TO BE SEALED WITH SEALANT 84456-01-000.

(X-X) FOR WATER CALLOUTS SEE DWG NO. 116230-01-000

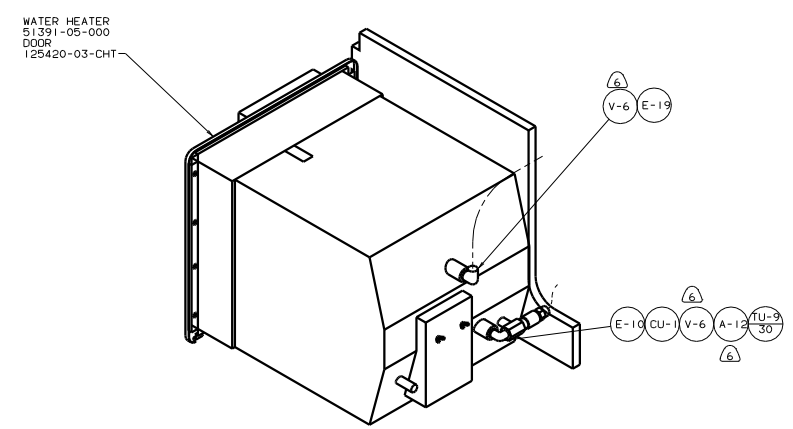
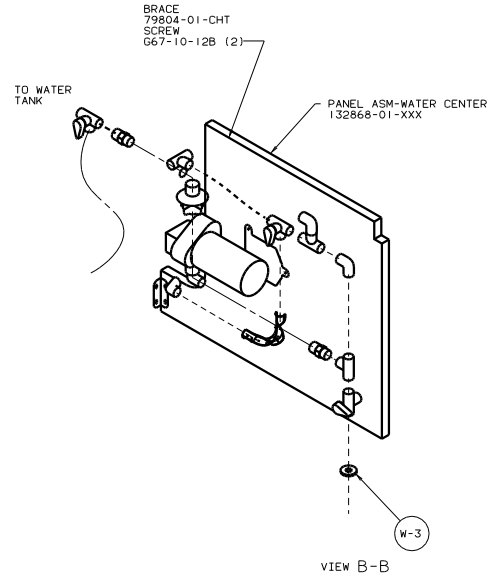
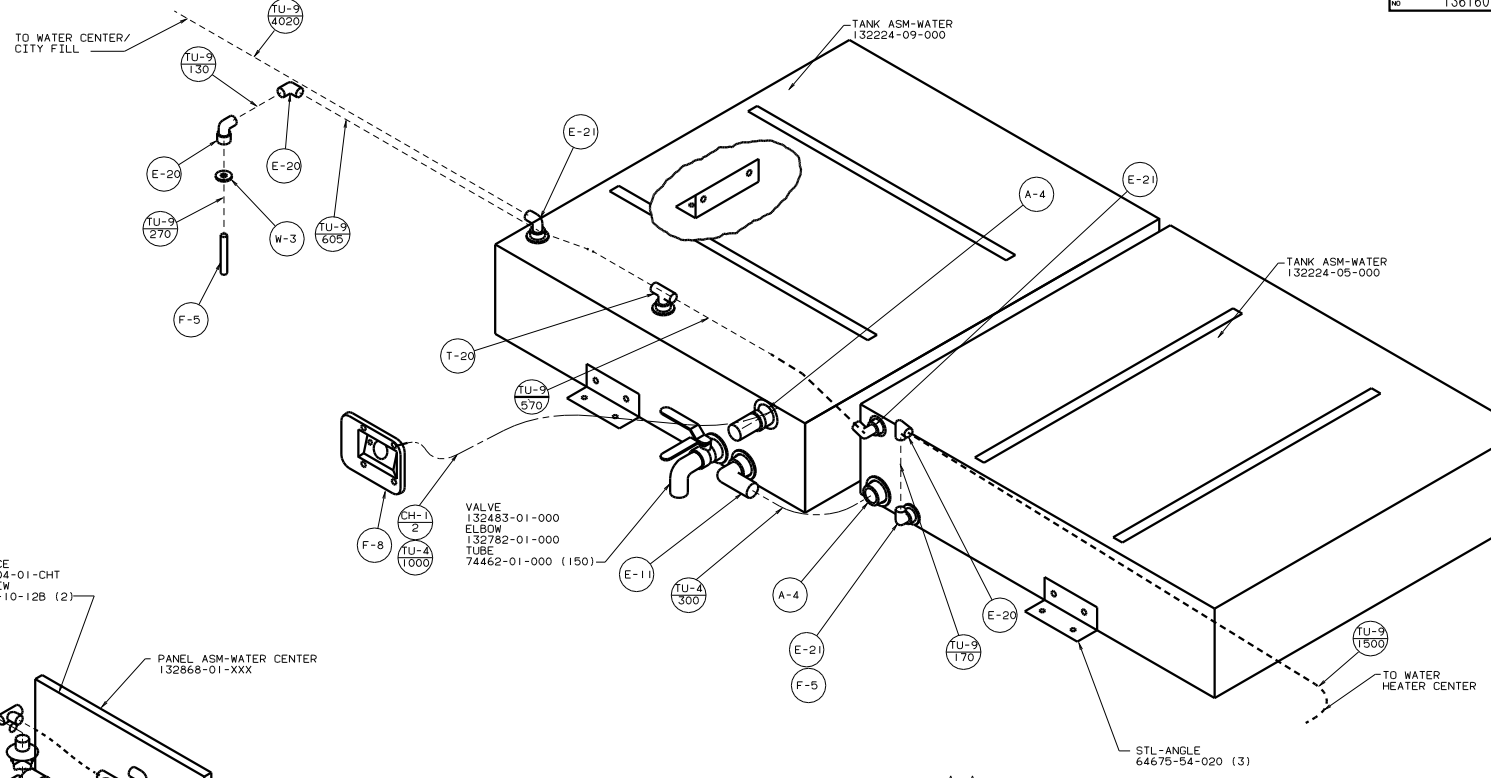
LEGEND	
HOT	●●●●●
COLD	●●●●●

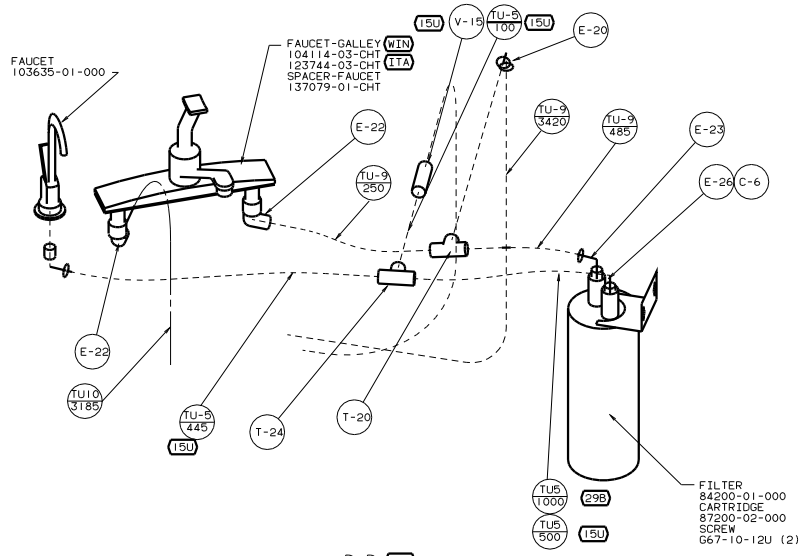
- 43A SHOWER HEAD-FIXED
- 21M WASHER/DRYER PREP
- 54E WASHER/DRYER
- 43H SHOWER HEAD-HAND HELD
- WIN WINNEBAGO ONLY
- ITA ITASCA ONLY
- 29B WATER PURIFIER
- 15U REFRIGERATOR/FRZR W/ICEMAKER
- 1B2 WTR HTR-10GAL/ELEC/LP/MTRAIID

		01 G358
DATE	DATE	UNSPECIFIED TOLERANCES ARE:
DATE	DATE	WHOLE DIM (IN) .1
DATE	DATE	ONE-PLACE (IN) .01
DATE	DATE	TWO-PLACE (IN) .001
DATE	DATE	THIRD PLACE (IN) .0005
DATE	DATE	FOURTH PLACE (IN) .0001
DATE	DATE	FIFTH PLACE (IN) .00005
DATE	DATE	SIXTH PLACE (IN) .00001
DATE	DATE	SEVENTH PLACE (IN) .000005
DATE	DATE	EIGHTH PLACE (IN) .000001
DATE	DATE	NINTH PLACE (IN) .0000005
DATE	DATE	TENTH PLACE (IN) .0000001
DATE	DATE	ALL DIMENSIONS ARE IN MILLIMETERS
DATE	DATE	ALL DIMENSIONS ARE IN MILLIMETERS

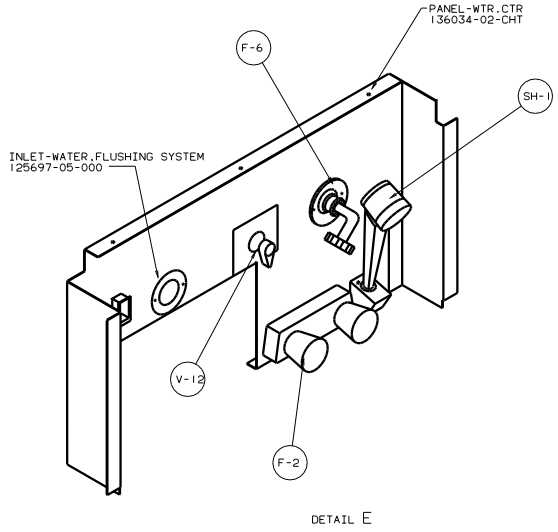
DRAWN BY: G-GEN TITLE: WATER SYSTEM INSTL
 DATE: 11/16/00 SCALE: AS SHOWN SHEET: 1 OF 4
 ALL DIMENSIONS ARE IN MILLIMETERS

H
G
F
E
D
C
B
A

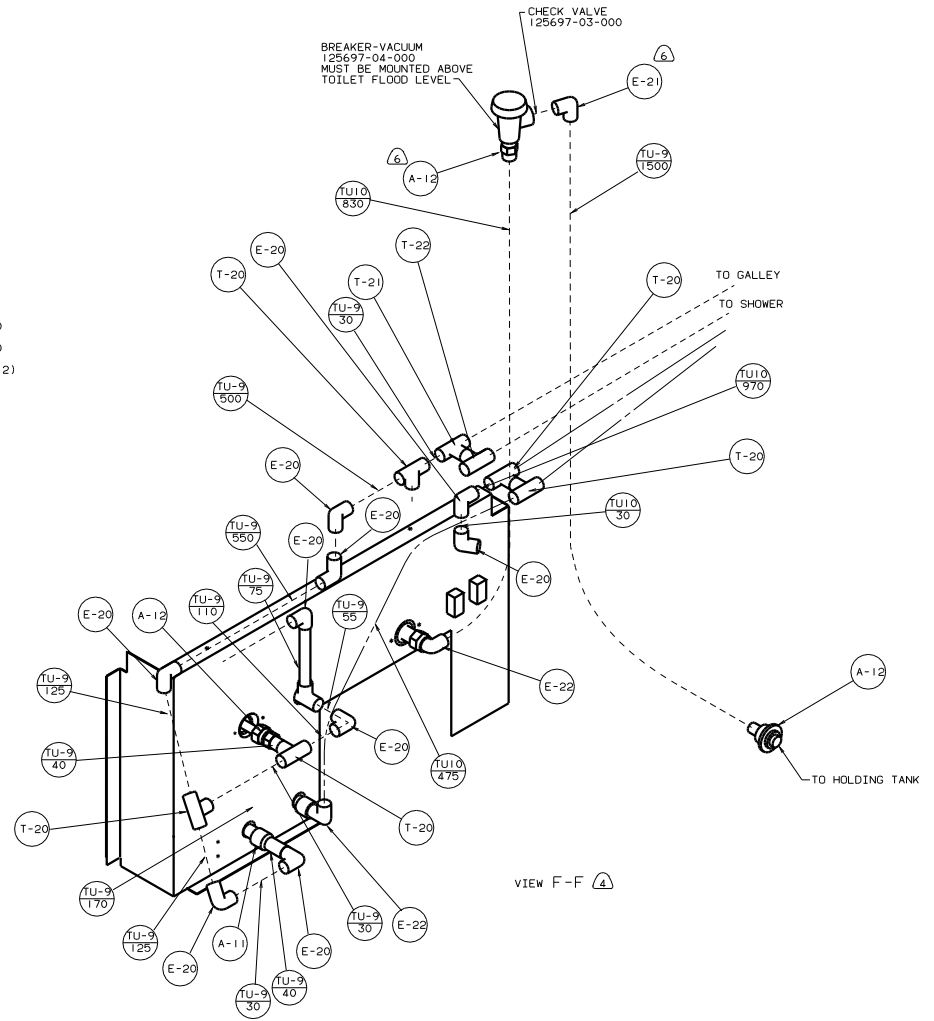




VIEW D-D (25B)
(15U)



DETAIL E



VIEW F-F (A)

