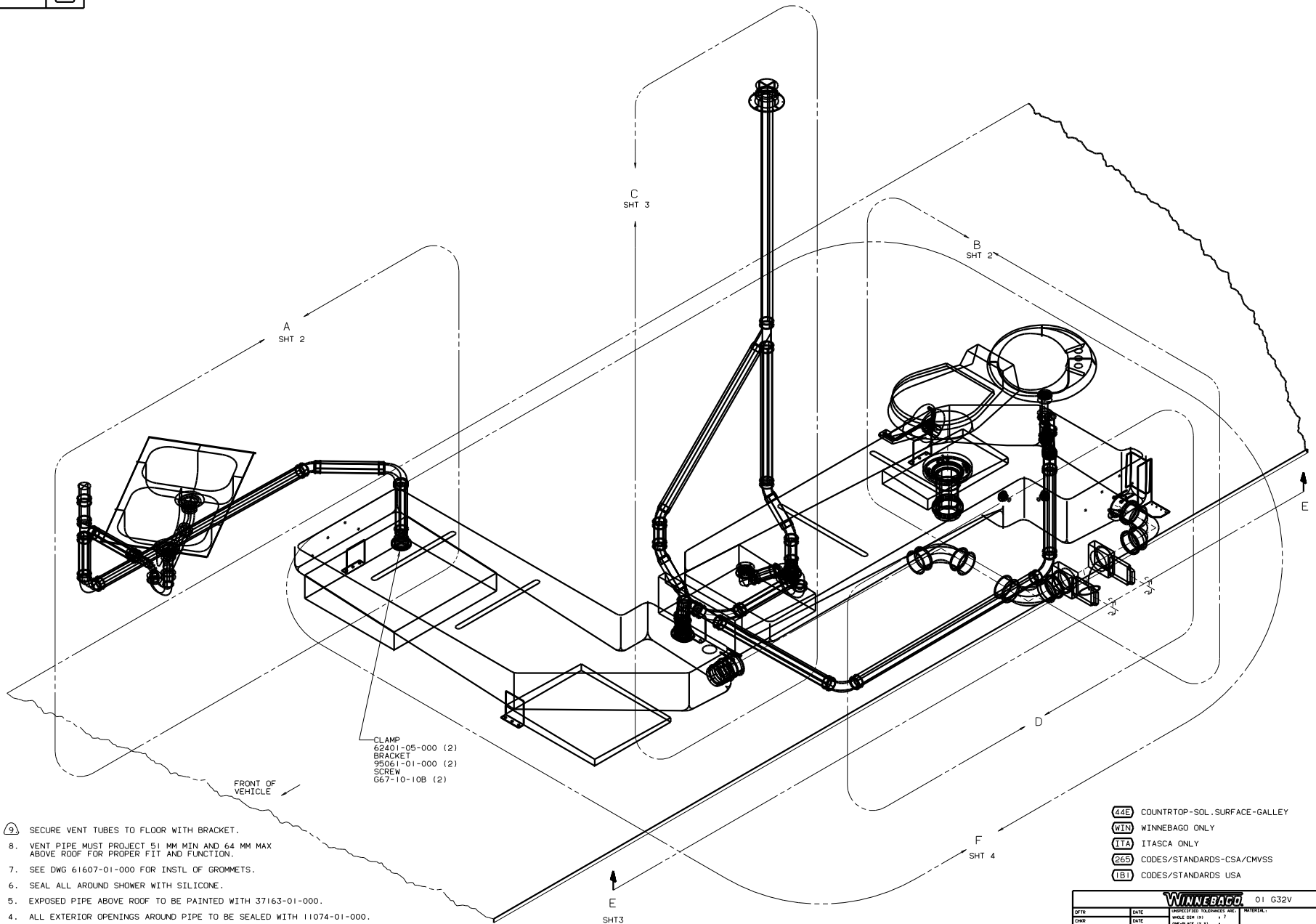


DWG NO	8
135370-01	(WIN)
135370-02	(ITA)

RELEASE BY	DATE	BY	DATE	NO	135370
REV	REVISION RECORD	DATE	BY	NO	

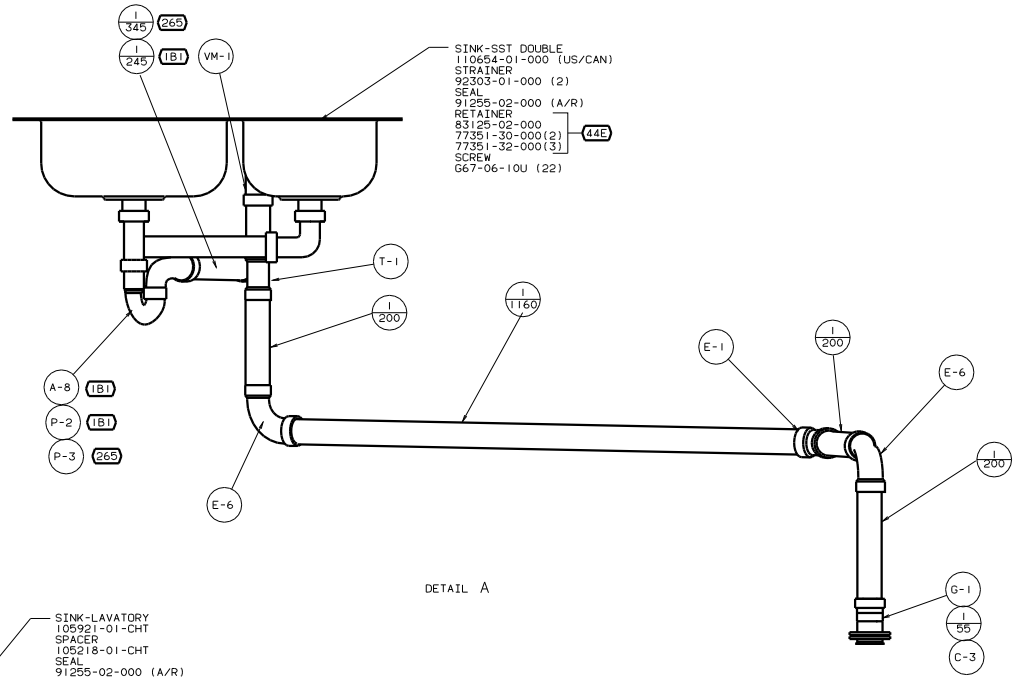


- CLAMP 62401-05-000 (2)
- BRACKET 95061-01-000 (2)
- SCREW G67-10-10B (2)

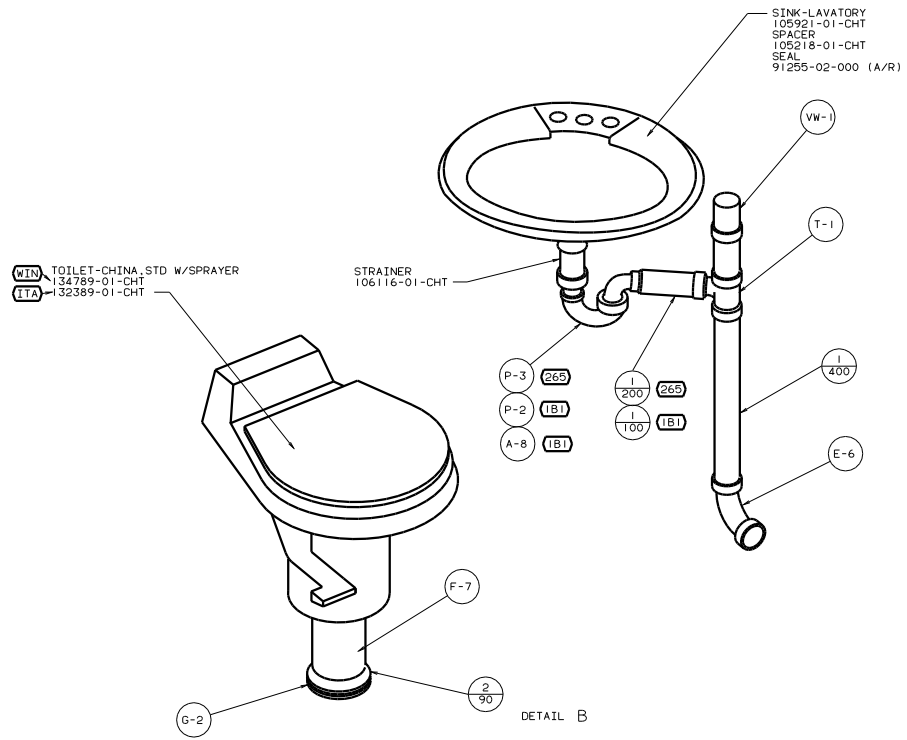
9. SECURE VENT TUBES TO FLOOR WITH BRACKET.
8. VENT PIPE MUST PROJECT 51 MM MIN AND 64 MM MAX ABOVE ROOF FOR PROPER FIT AND FUNCTION.
7. SEE DWG 61607-01-000 FOR INSTL OF GROMMETS.
6. SEAL ALL AROUND SHOWER WITH SILICONE.
5. EXPOSED PIPE ABOVE ROOF TO BE PAINTED WITH 37163-01-000.
4. ALL EXTERIOR OPENINGS AROUND PIPE TO BE SEALED WITH 11074-01-000.
3. ALL PIPE AND FITTINGS TO BE ASSEMBLED WITH SOLVENT 4020-01-000.
2. SLOPE OF TRAP ARM MUST BE 6 PER 305.
1. SLOPE OF HORIZONTAL PIPING TO BE 6 PER 305 MIN.

- (42E) COUNTERTOP-SOL SURFACE-GALLEY
- (WIN) WINNEBAGO ONLY
- (ITA) ITASCA ONLY
- (265) CODES/STANDARDS-CSA/CMVSS
- (TBT) CODES/STANDARDS USA

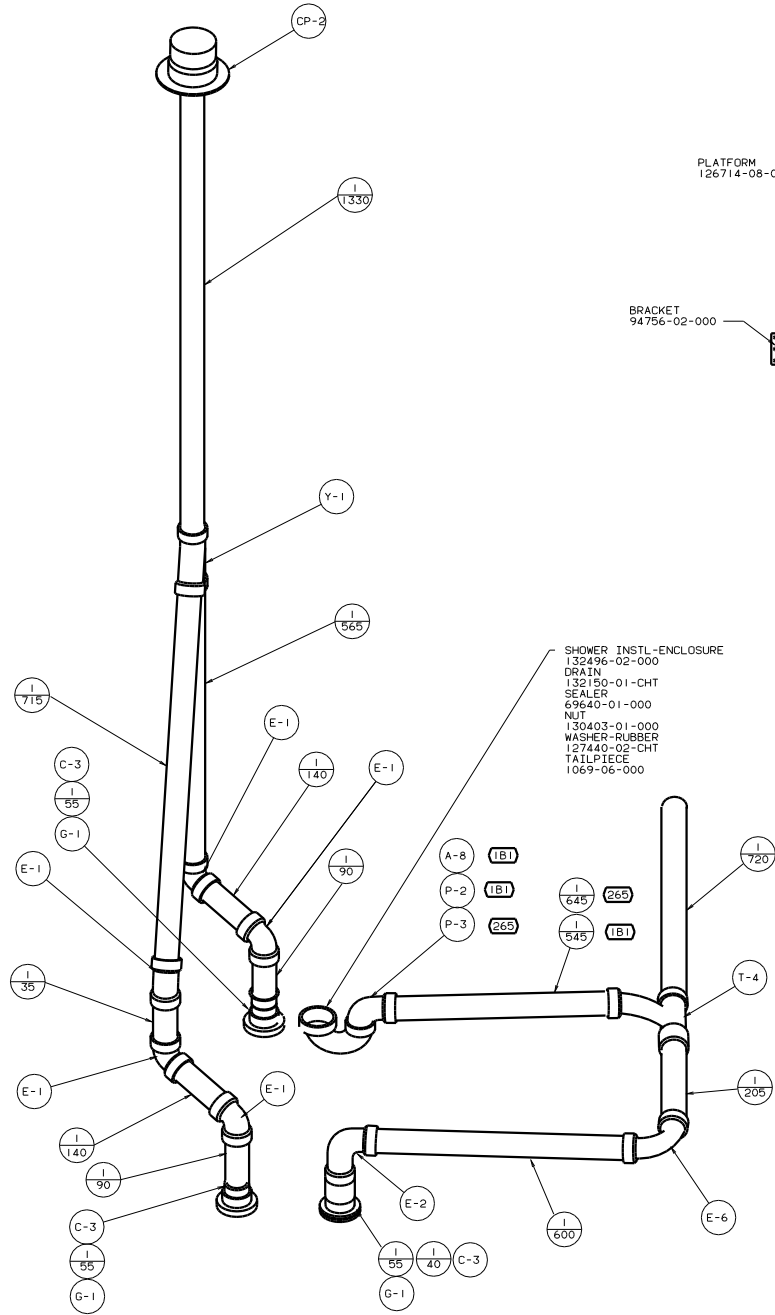
		01 G32V	
QTY	DATE	UNSPECIFIED TOLERANCES ARE:	INVERTICAL
CHP	DATE	WHOLE OR .01	F
PIE	DATE	ONE-PLACE (X.X)	.
D/E	DATE	TWO-PLACE (X.XX)	.
CDR	DATE	THREE-PLACE (X.XXX)	.
DATE	DATE	INDICATE W/ANGLE PROJECTION	
LANE#	G37G	TITLE#	DRAINAGE SYSTEM INSTL
REV #	SCALE	NOTE	DO NOT SCALE DIMENSIONS
ALL DIMENSIONS ARE IN MILLIMETERS	SHEET	1 OF 4	FIG NO 135370



DETAIL A

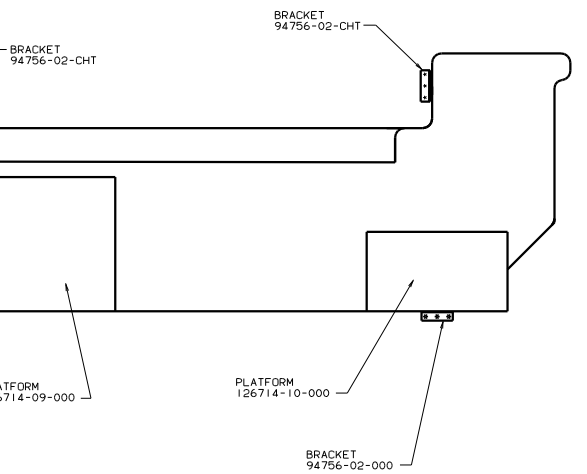
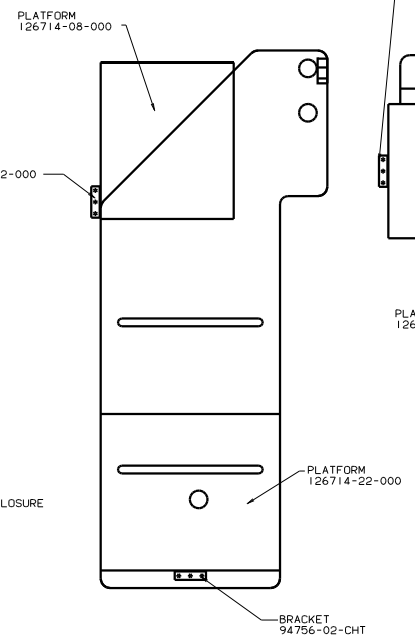


DETAIL B



- SHOWER INSTL-ENCLOSURE 132496-02-000
- DRAIN 132150-01-CHT
- SEALER 69640-01-000
- NUT 130403-01-000
- WASHER-RUBBER 127440-02-CHT
- TAILPIECE 1069-06-000

- A-8 (1B1)
- P-2 (1B1)
- P-3 (265)
- 645 (265)
- 545 (1B1)

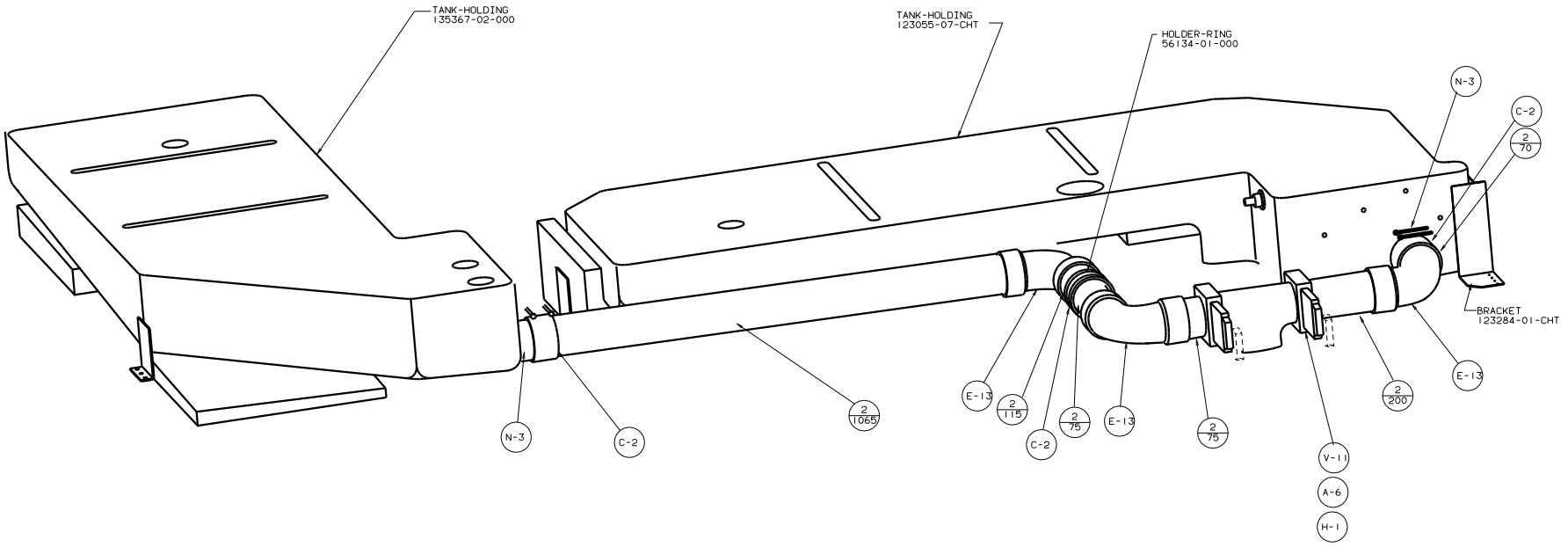


VIEW E-E

DETAIL C

01 G32V

TITLE: DRAINAGE SYSTEM INSTL		DWG NO 135370	
DATE: 3/05	BY: J.E.	CHK: J.E.	APP: J.E.
SHEET 3 OF 4		PAGE 1 OF 1	



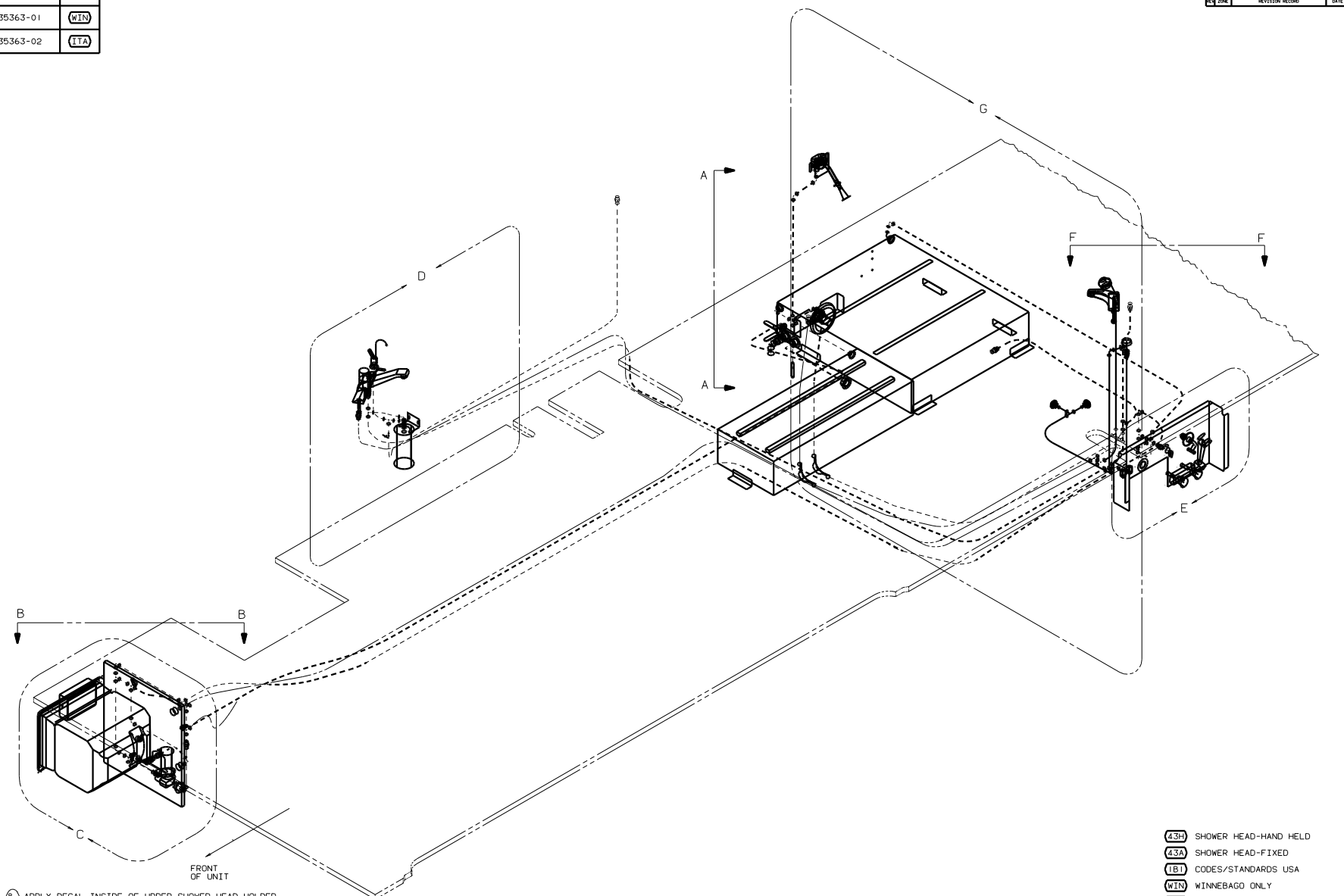
DETAIL F

01 G32V

TITLE: DRAINAGE SYSTEM INSTL		REV: 1		Dwg No: 135370	
DATE: 01/04/05	BY: J.E.	CHECKED: J.E.	DATE: 01/04/05	SHEET: 4	OF: 4

DWG NO	---
135363-01	WIN
135363-02	ITA

RELEASE BY	DATE	BY	DATE	DWG NO
				135363
REV	DATE	BY	DATE	DESCRIPTION



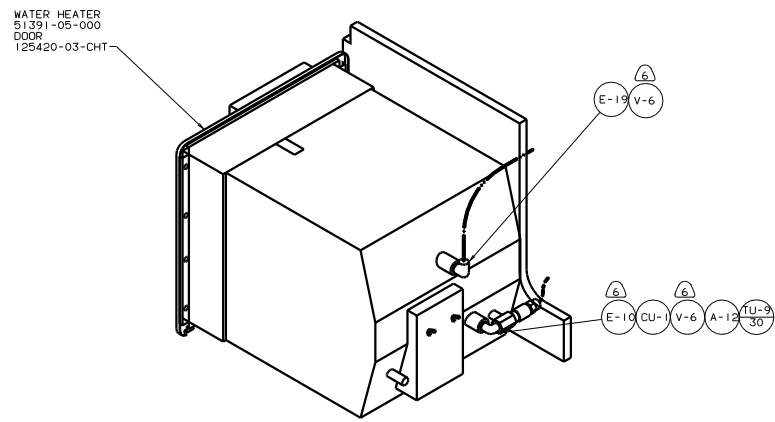
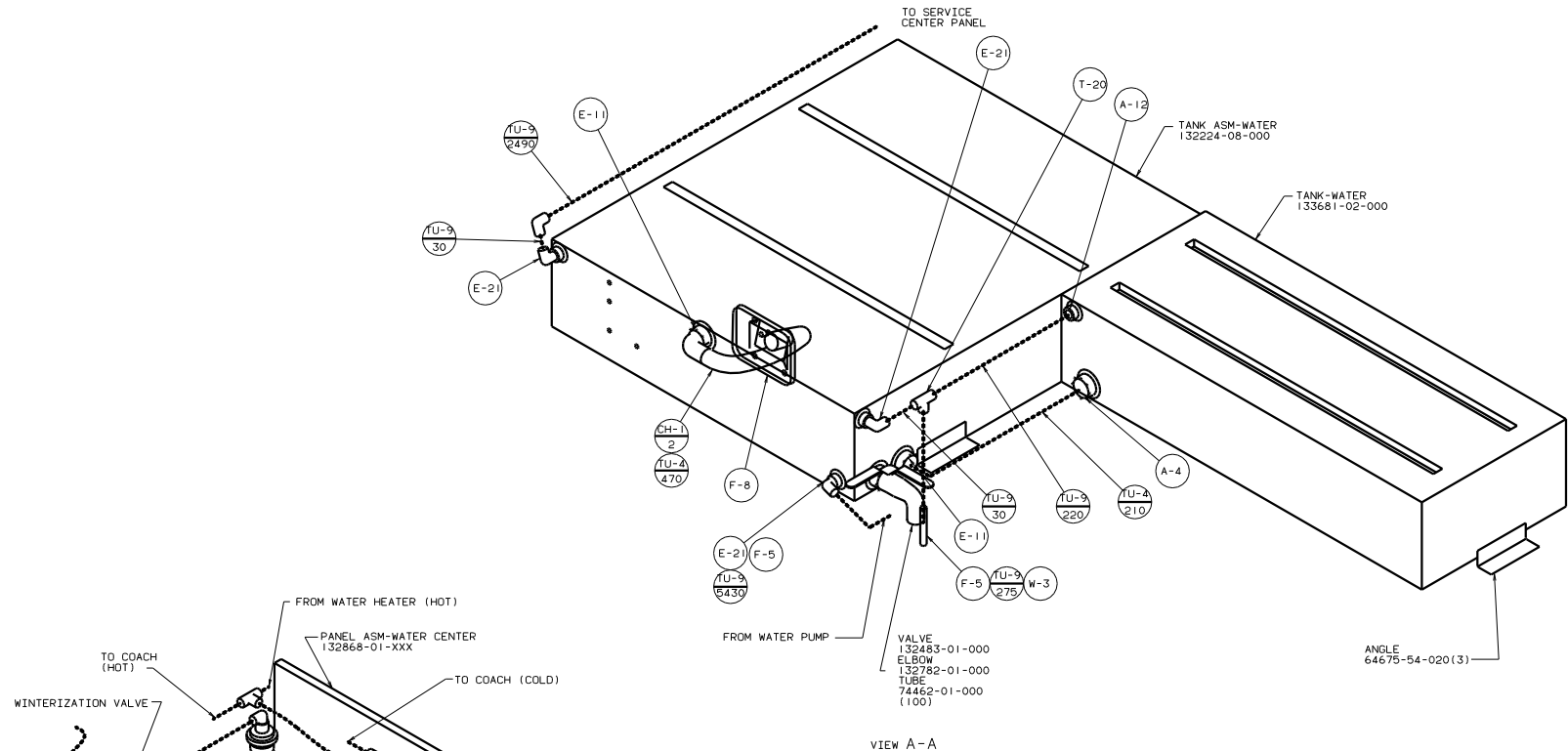
- FRONT OF UNIT
1. PLASTIC FITTINGS TO BE SEALED WITH SEALANT 84456-01-000.
 2. TUBING TO BE INSTALLED WITH SUFFICIENT SLOPE TO PROVIDE DRAINAGE TO THE NEAREST VALVE.
 3. ALL TUBING TO BE SECURED AT 1200 INTERVALS MAX WITH CLAMP 10495-01-000 OR CLIP 91951-01-000 AND SCREW G67-10-12B.
 4. FLUSHING SYSTEM REQUIRES 125697-06-000 INSTRUCTION SHEET.
 5. USE DETAIL "J" IN THIS AREA (BOTH ENDS OF TUBING).
 6. ADD TEFLON TAPE 10405-02-000 TO FITTING.
 7. PRE-DRILL SHOWER SURROUND WITH 5.0 DIA HOLES USING MOUNTING BRACKET AS A TEMPLATE.
 8. APPLY DECAL INSIDE OF UPPER SHOWER HEAD HOLDER TO RETAIN HAND SHOWER UNIT INSIDE HOLDER.

- (43H) SHOWER HEAD-HAND HELD
- (43A) SHOWER HEAD-FIXED
- (1B1) CODES/STANDARDS USA
- (WIN) WINNEBAGO ONLY
- (ITA) ITASCA ONLY
- (29B) WATER PURIFIER
- (15U) REFRIGERATOR/FRZR W/ICEMAKER
- (1B2) WTR HTR-10GAL/ELEC/LP/MTRAIID

(X-X)	FOR WATER CALLOUTS SEE DWG NO. 116230-01-000	
	LEGEND	
HOT	●●●●●●	
COLD	●●●●●●	

WINNEBAGO		01 G32V.WH
OF/IN	DATE	UNSPECIFIED TOLERANCES ARE:
CHP	DATE	WHOLE DIM (IN)
PL	DATE	ONE-PLACE (IN, IN)
D/E	DATE	TWO-PLACE (IN, IN)
CDR	DATE	THREE-PLACE (IN, IN)
DATE	DATE	THIRD ANGLE PERSPECTIVE
PART NO: 00AG32V TITLE: WATER SYSTEM INSTL DIA # SCALE: NONE 2D/3D SCALE: NONE 1/4" = 1'-0" ALL DIMENSIONS ARE IN MILLIMETERS SHEET 1 OF 4		135363 REF: 133893 K I

H
G
F
E
D
C
B
A



01 G32V, WH

