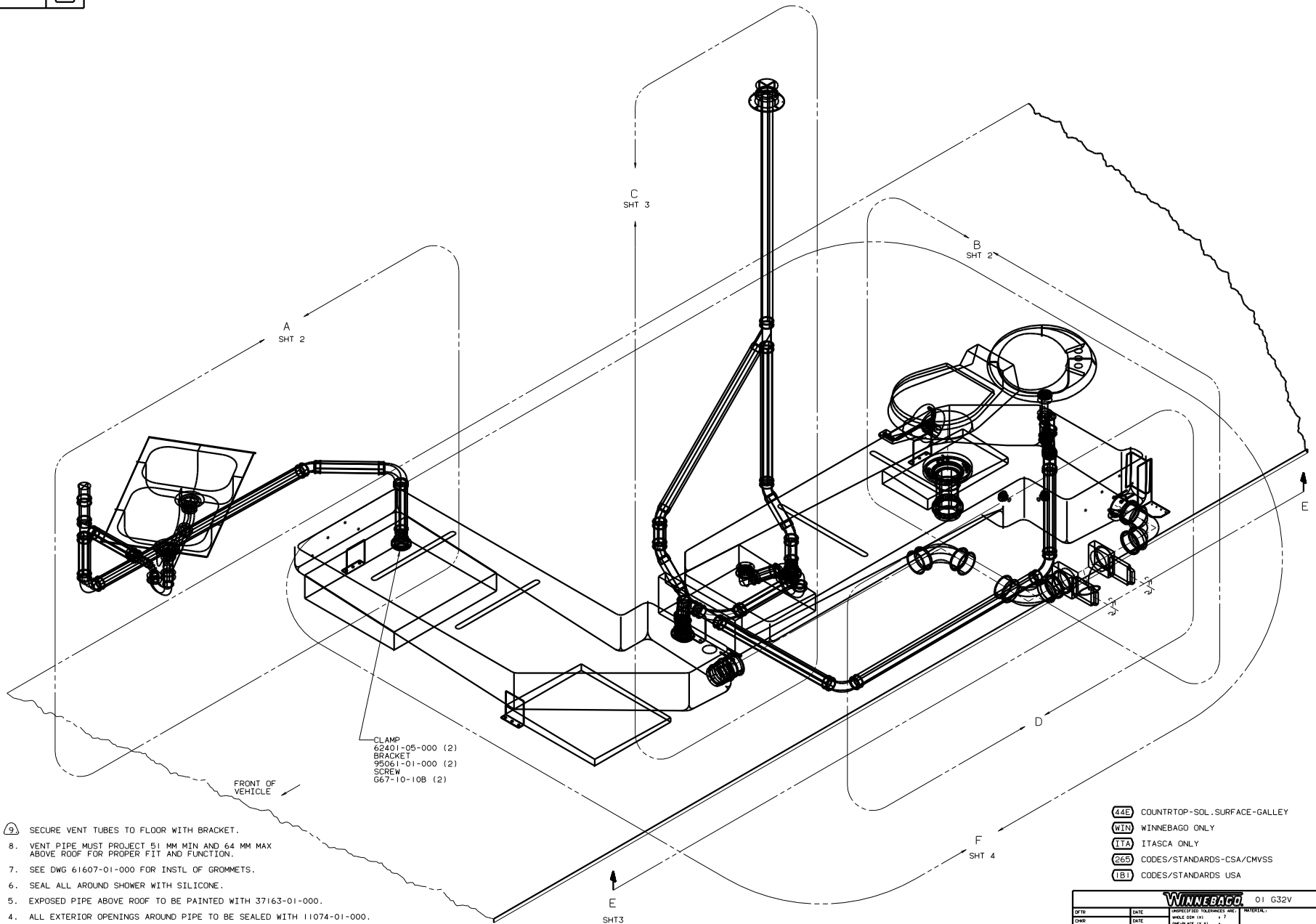


DWG NO	8
135370-01	(WIN)
135370-02	(ITA)

RELEASE BY	DATE	BY	DATE	NO	135370
REV					
REV					
REV					



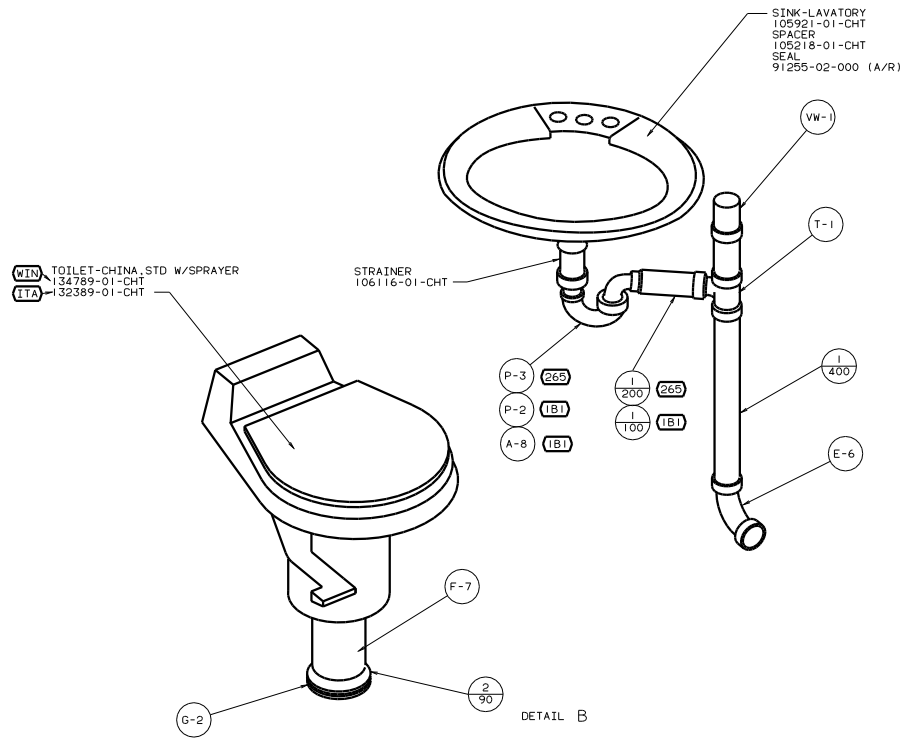
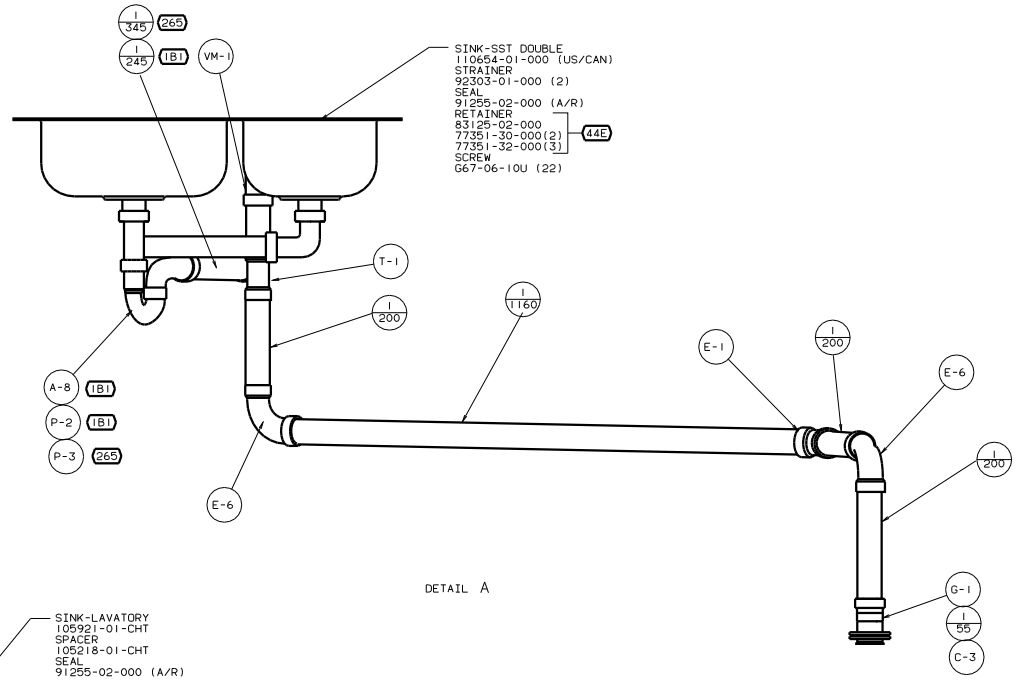
- CLAMP  
62401-05-000 (2)
- BRACKET  
95061-01-000 (2)
- SCREW  
G67-10-10B (2)

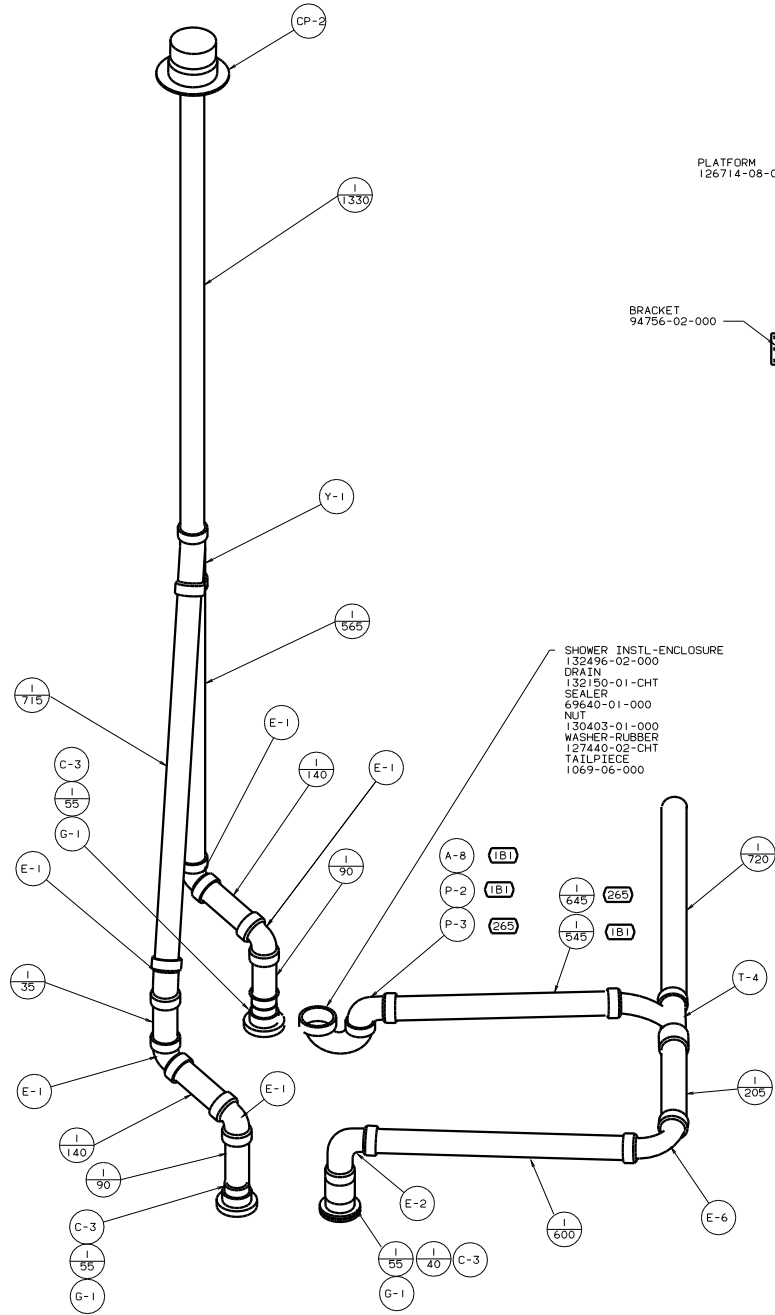
FRONT OF VEHICLE

- ⑨ SECURE VENT TUBES TO FLOOR WITH BRACKET.
8. VENT PIPE MUST PROJECT 51 MM MIN AND 64 MM MAX ABOVE ROOF FOR PROPER FIT AND FUNCTION.
  7. SEE DWG 61607-01-000 FOR INSTL OF GROMMETS.
  6. SEAL ALL AROUND SHOWER WITH SILICONE.
  5. EXPOSED PIPE ABOVE ROOF TO BE PAINTED WITH 37163-01-000.
  4. ALL EXTERIOR OPENINGS AROUND PIPE TO BE SEALED WITH 11074-01-000.
  3. ALL PIPE AND FITTINGS TO BE ASSEMBLED WITH SOLVENT 4020-01-000.
  2. SLOPE OF TRAP ARM MUST BE 6 PER 305.
  1. SLOPE OF HORIZONTAL PIPING TO BE 6 PER 305 MIN.

- (42E) COUNTRTOP-SOL SURFACE-GALLEY
- (WIN) WINNEBAGO ONLY
- (ITA) ITASCA ONLY
- (265) CODES/STANDARDS-CSA/CMVSS
- (TBT) CODES/STANDARDS USA

		01 G32V	
QTY	DATE	UNSPECIFIED TOLERANCES ARE:	MATERIAL
CHP	DATE	WHOLE OR .01	F
PIE	DATE	ONE-PLACE (X.X1)	.
P/E	DATE	TWO-PLACE (X.XX)	.
CDR	DATE	THREE-PLACE (X.XXX)	.
DATE	DATE	INDICATE W/ANGLE	
		PROJECTION	
LANE#	G37G	TITLE#	
REV		SCALE	NOTE
ALL DIMENSIONS ARE IN MILLIMETERS	SHEET	1 OF 4	FIG NO
			135370

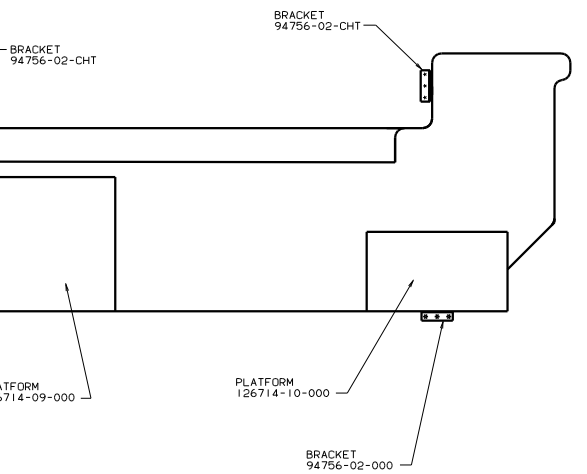
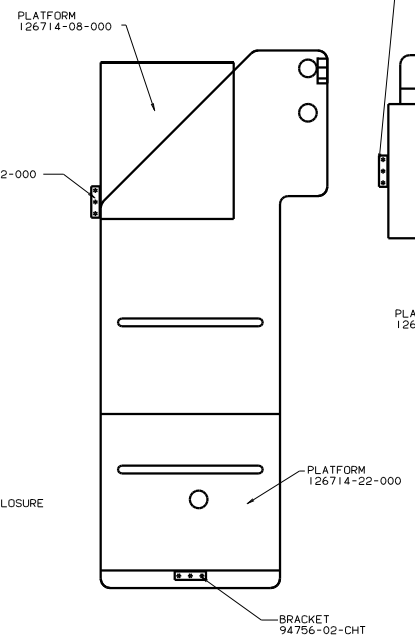




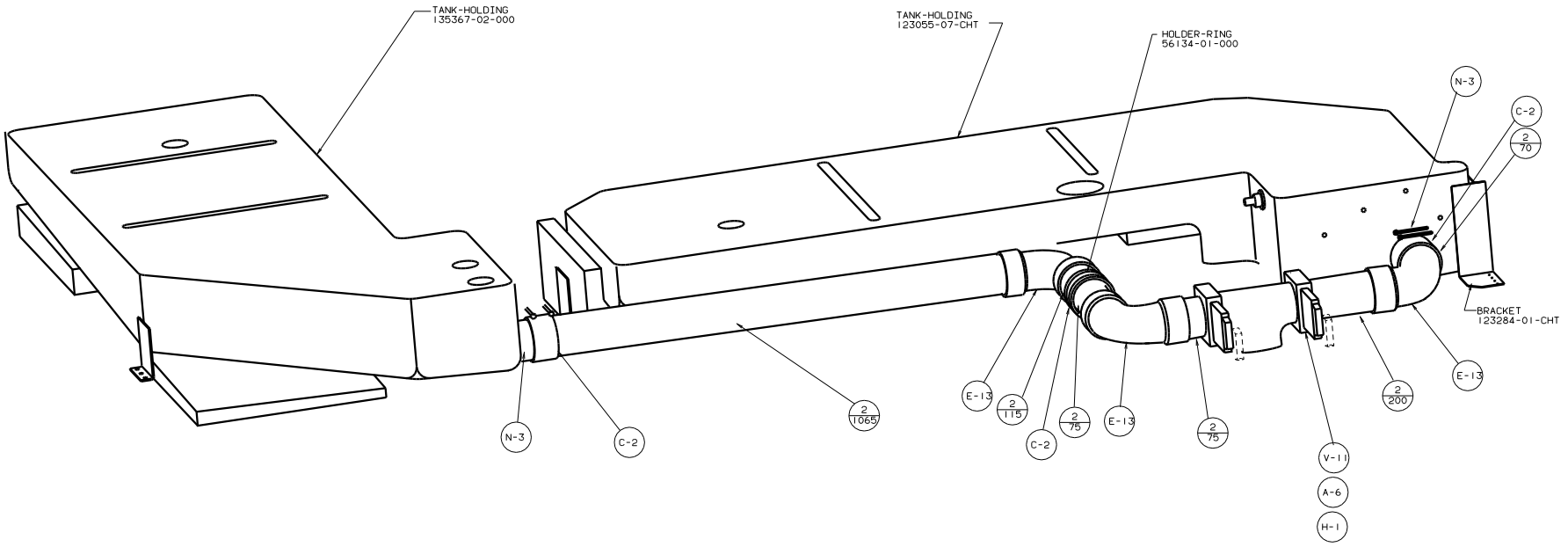
- SHOWER INSTL-ENCLOSURE 132496-02-000
- DRAIN 132150-01-CHT
- SEALER 69640-01-000
- NUT 130403-01-000
- WASHER-RUBBER 127440-02-CHT
- TAILPIECE 1069-06-000

- A-8 (1B1)
- P-2 (1B1)
- P-3 (265)
- 645 (265)
- 545 (1B1)

DETAIL C



VIEW E-E

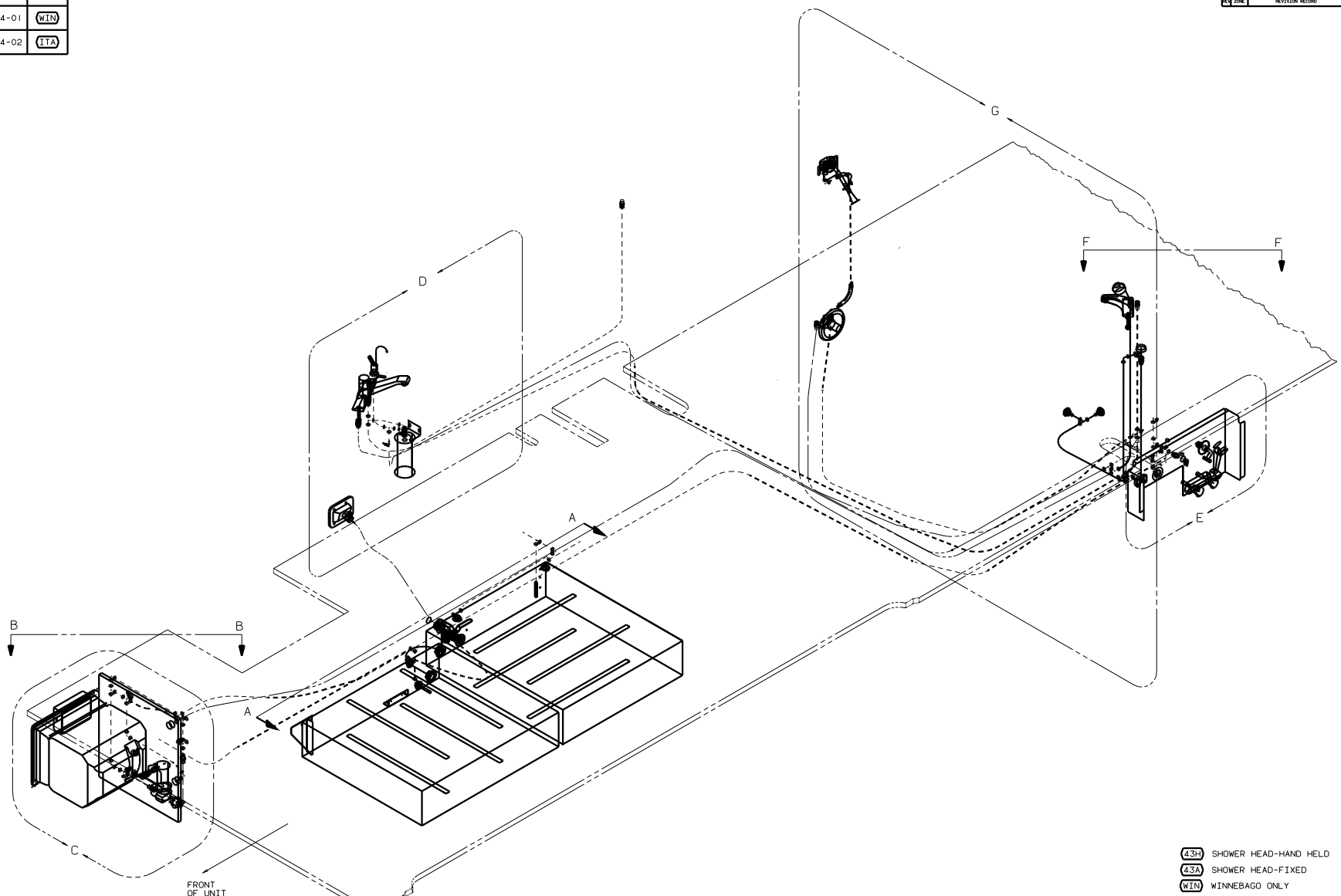


DETAIL F

01 G32V

TITLE: DRAINAGE SYSTEM INSTL		REV: 1		Dwg No: 135370	
DATE: 01/04/05	BY: J.E.	CHECKED: J.E.	DATE: 01/04/05	SHEET 4 OF 4	

DWG NO	
135364-01	(WIN)
135364-02	(ITA)



- FRONT OF UNIT
1. PLASTIC FITTINGS TO BE SEALED WITH SEALANT 84456-01-000.
  2. TUBING TO BE INSTALLED WITH SUFFICIENT SLOPE TO PROVIDE DRAINAGE TO THE NEAREST VALVE.
  3. ALL TUBING TO BE SECURED AT 1200 INTERVALS MAX WITH CLAMP 10495-01-000 OR CLIP 91951-01-000 AND SCREW G67-10-12B.
  4. FLUSHING SYSTEM REQUIRES 125697-06-000 INSTRUCTION SHEET.
  5. USE DETAIL "J" IN THIS AREA (BOTH ENDS OF TUBING).
  6. ADD TEFLON TAPE 10405-02-000 TO FITTING.
  7. PRE-DRILL SHOWER SURROUND WITH 5.0 DIA HOLES USING MOUNTING BRACKET AS A TEMPLATE.
  8. APPLY DECAL INSIDE OF UPPER SHOWER HEAD HOLDER TO RETAIN HAND SHOWER UNIT INSIDE HOLDER.

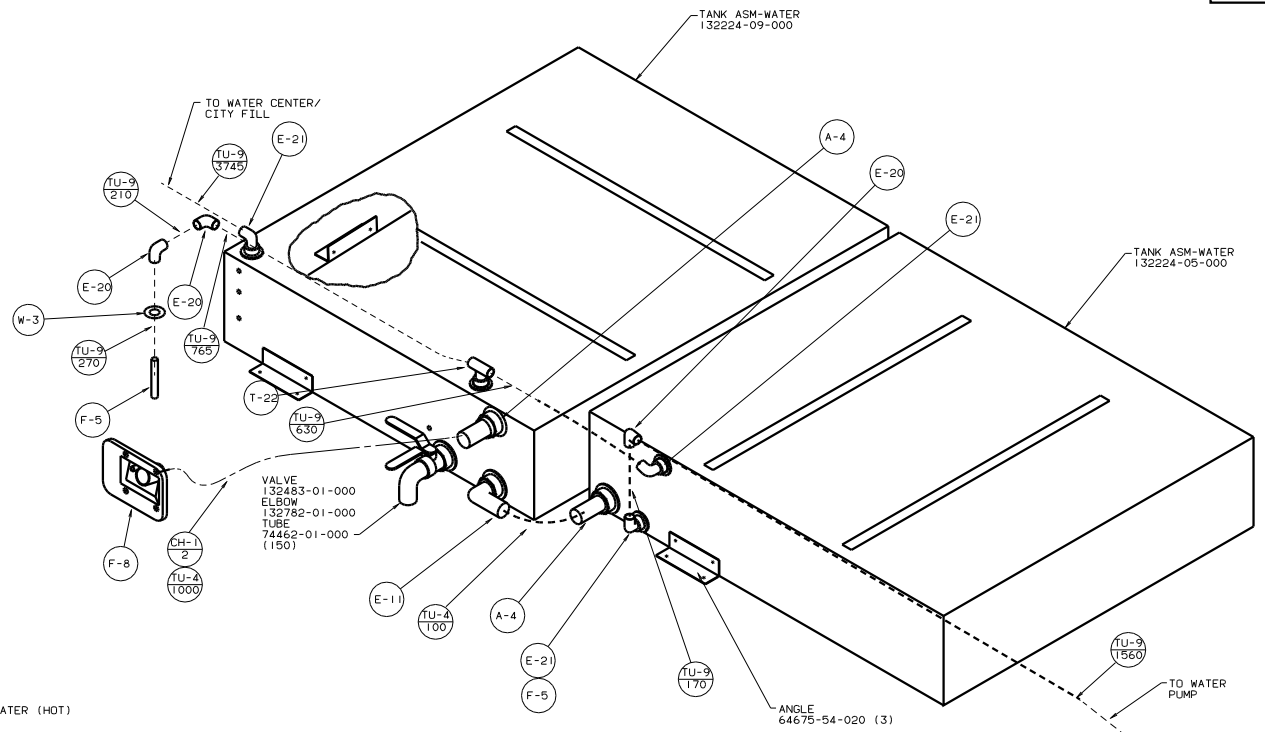
- (43H) SHOWER HEAD-HAND HELD
- (43A) SHOWER HEAD-FIXED
- (WIN) WINNEBAGO ONLY
- (ITA) ITASCA ONLY
- (9B1) SHOWER PACKAGE
- (29B) WATER PURIFIER
- (15U) REFRIGERATOR/FRZR W/ICEMAKER
- (1B2) WTR HTR-10GAL/ELEC/LP/MTRAD

(X-X)  
 FOR WATER CALLOUTS SEE DWG NO. 116230-01-000

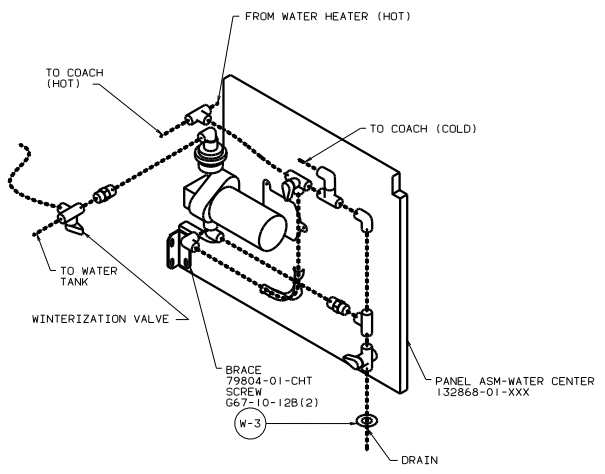
LEGEND

HOT	—●—●—●—●—●—●—●—●—●—
COLD	—●—●—●—●—●—●—●—●—●—

01 G32V FD				
		DATE	UNSPECIFIED TOLERANCES ARE:	MATERIAL
QTY	DATE	WHOLE DIM (IN)	F	
CHG	DATE	ONE-PLACE (IN, IN)	F	
DR	DATE	TWO-PLACE (IN, IN)	F	
D/E	DATE	MIXED	F	
CDR	DATE	THIRD-PLACE (IN, IN)	F	
		PRODUCTION		
LENATH	00AG32V	TITLE		WATER SYSTEM INSTL
DIA #	SCALE	NO	SCALE	REV
ALL DIMENSIONS ARE IN MILLIMETERS	SHEET 1 OF 4	1.6	NO	135364

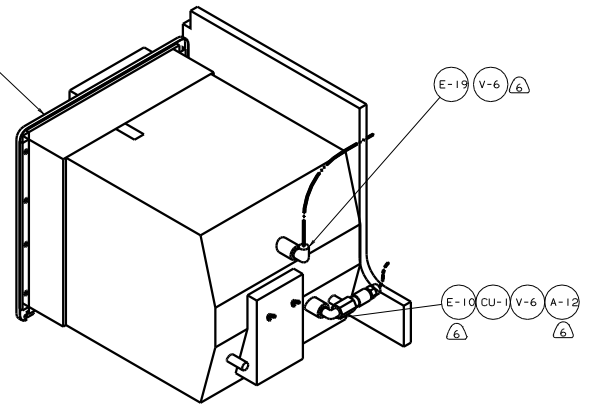


VIEW A-A

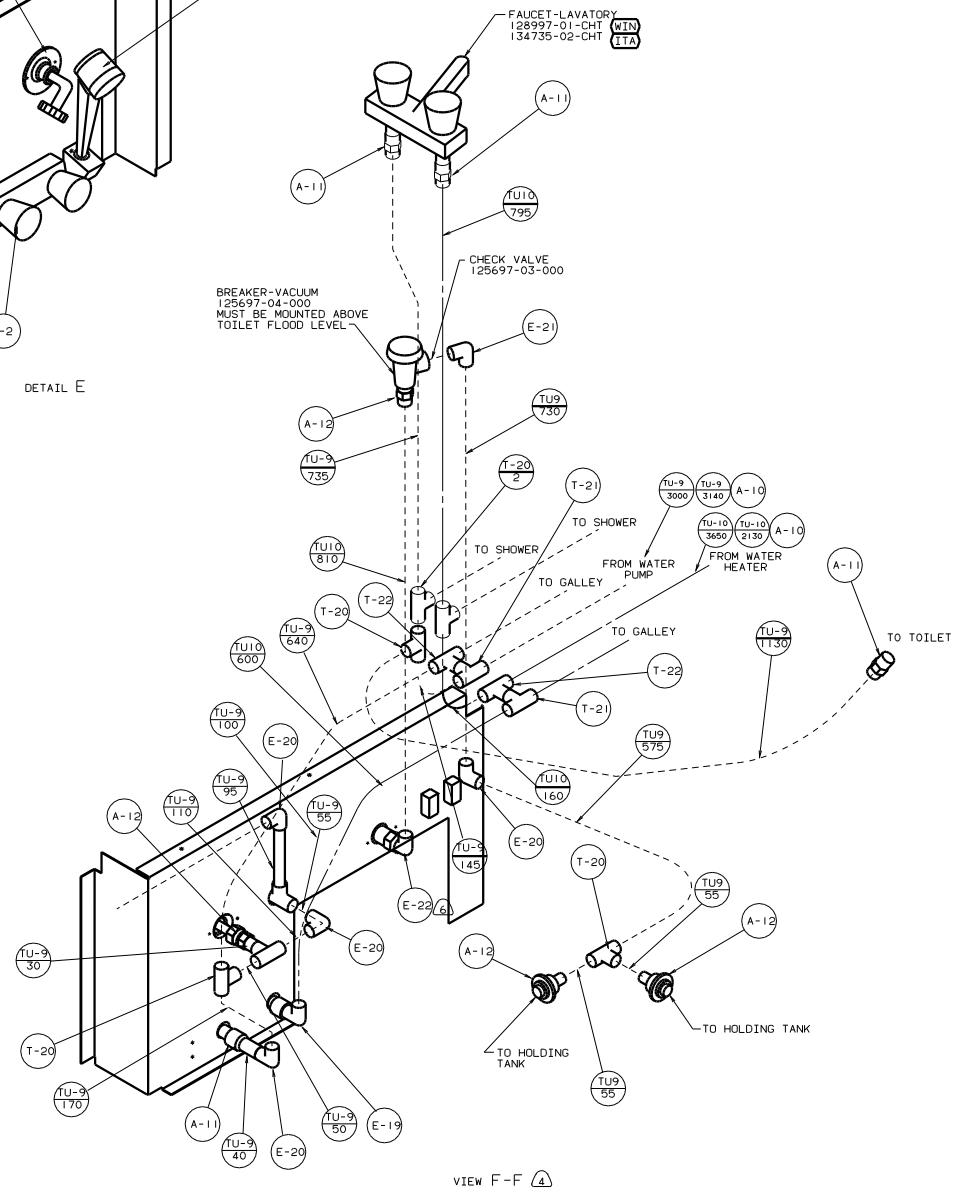
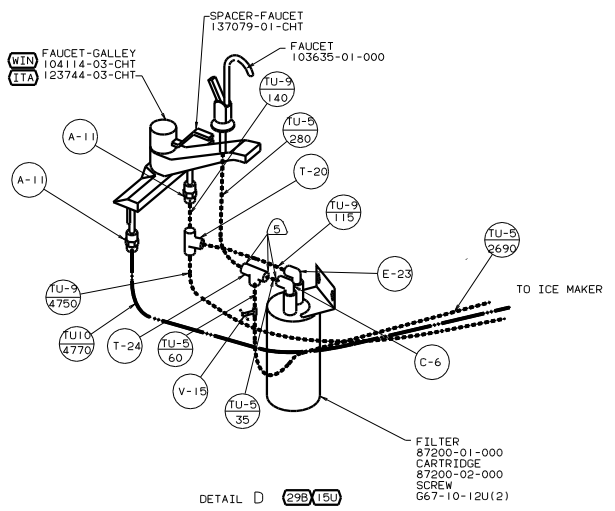
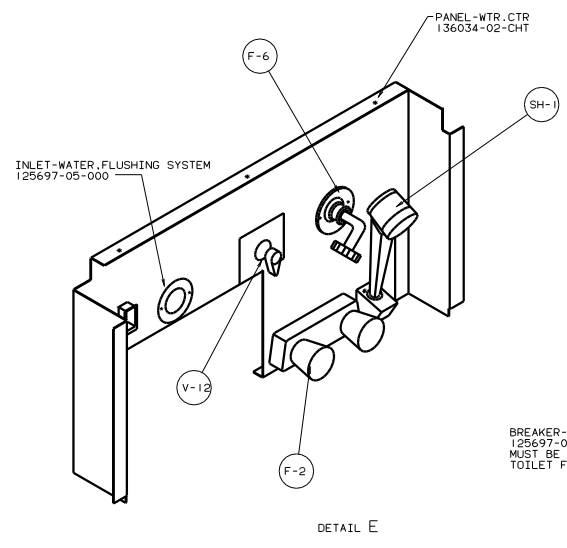
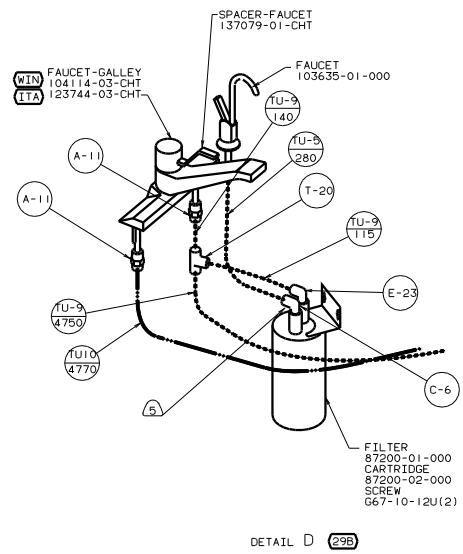


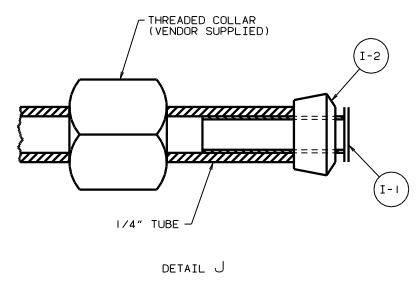
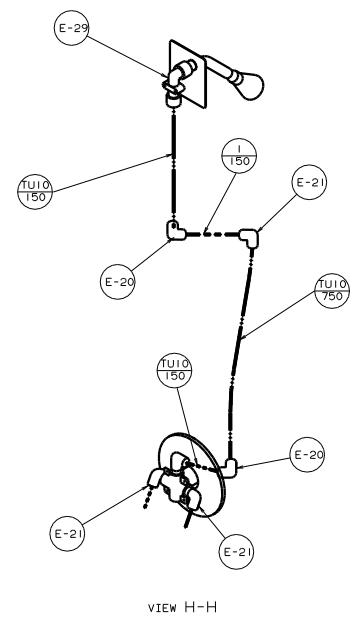
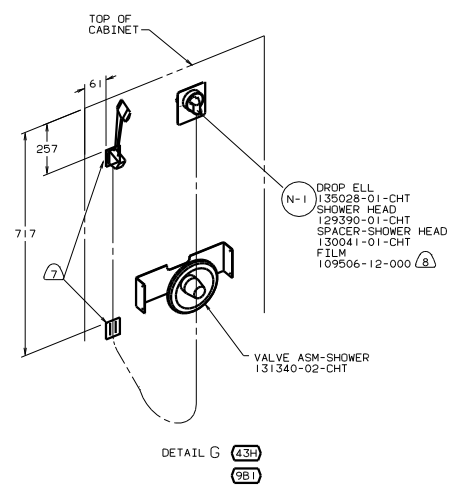
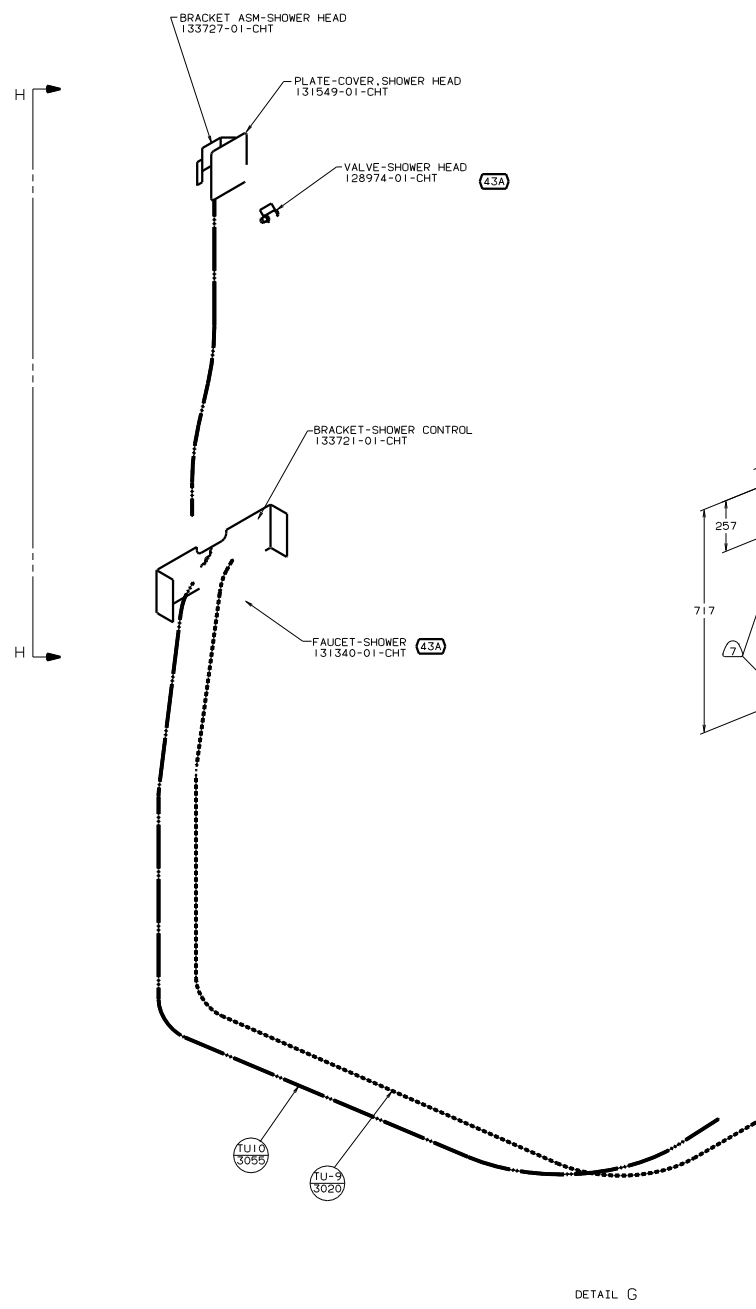
VIEW B-B

WATER HEATER 51391-05-000  
DOOR 125420-03-CHT



DETAIL C 1B2





DETAIL G

TITLE: WATER SYSTEM INSTL	
NO. OF SHEETS: 4	SHEET NO. 4
DATE: 1/16/05	DWG. NO. 135364