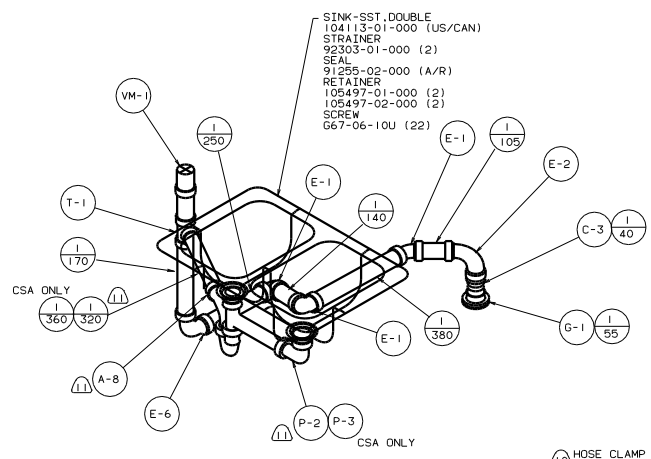


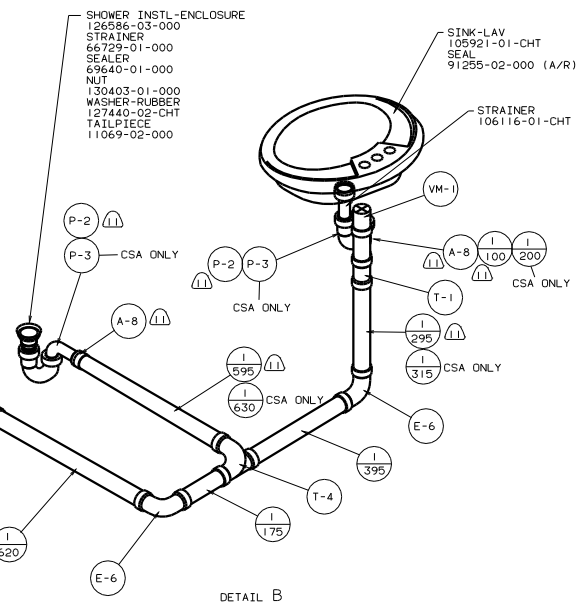
- ⑫ SECURE PIPES TO CABINET USING WIRE TIE 108046-02-000 AND SCREW G67-10-12U(8).
- ⑪ NOT USED ON CANADIAN UNITS.
- ⑩ SECURE VENT TUBES TO FLOOR WITH BRACKET.
- ⑨ VENT PIPE MUST PROJECT 51 MM MINIMUM AND 64 MM MAXIMUM ABOVE ROOF FOR PROPER FIT AND FUNCTION.
- 8. SEE DRAWING 61607-01-000 FOR INSTALLATION OF GROMMETS.
- 7. FOR CANADIAN UNITS EACH HOLDING TANK SHALL HAVE CSA APPROVAL STAMPED NEAR THE IAMPO APPROVAL.
- 6. SEAL AROUND SHOWER WITH SILICONE.
- 5. EXPOSED PIPE ABOVE ROOF TO BE PAINTED 37163-01-000.
- 4. ALL EXTERIOR OPENINGS AROUND PIPE TO BE SEALED WITH 110744-01-000.
- 3. ALL PIPE AND FITTINGS TO BE ASSEMBLED WITH SOLVENT 4020-01-000.
- 2. SLOPE OF TRAP ARM MUST BE 6 PER 305.
- 1. SLOPE OF HORIZONTAL PIPING TO BE 6 PER 305 MINIMUM.

FOR DRAINAGE CALLOUTS SEE DWG NO. 116229-01-000

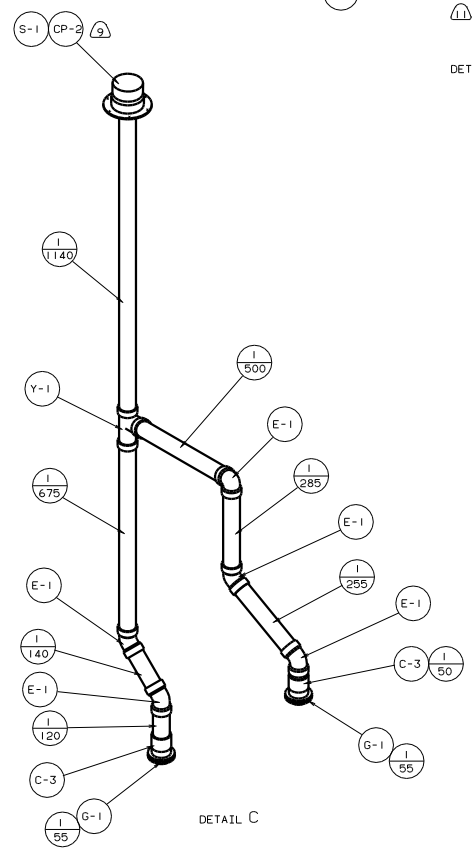
WINNEBAGO		01 F35C
QTY	DATE	UNSPECIFIED TOLERANCES ARE:
CHP	DATE	WHOLE DIM (1:1) ± 0
PIE	DATE	ONE-PLACE (1:1) .1
D/E	DATE	TWO-PLACE (1:1) .01
CDR	DATE	ANGLE
	DATE	THIRD ANGLE PERSPECTIVE
LAYOUT NO. F35C	TITLE: DRAINAGE SYSTEM INSTL	
DWG #	SCALE	NOTE TO THE SCALE DRAWING
ALL DIMENSIONS ARE IN MILLIMETERS	SHEET 1 OF 4	FIG NO 135820



DETAIL A

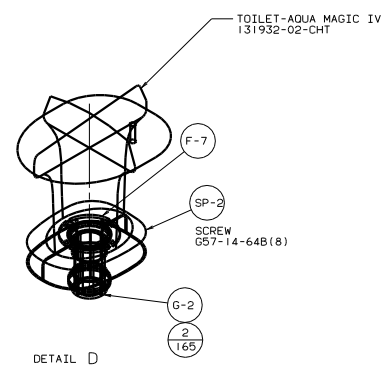


DETAIL B

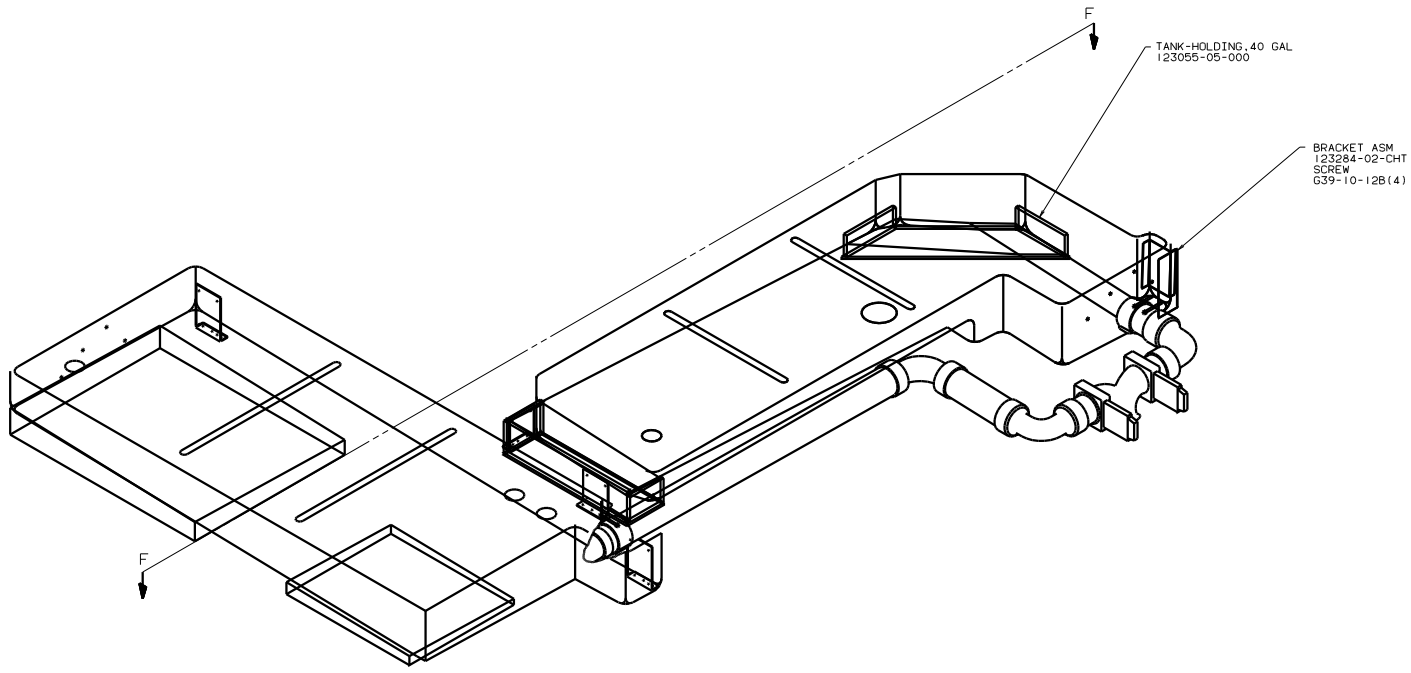


DETAIL C

- HOSE CLAMP
62401-02-000 (4)
- VENT PIPE BRACKET
95061-01-000 (8)



DETAIL D



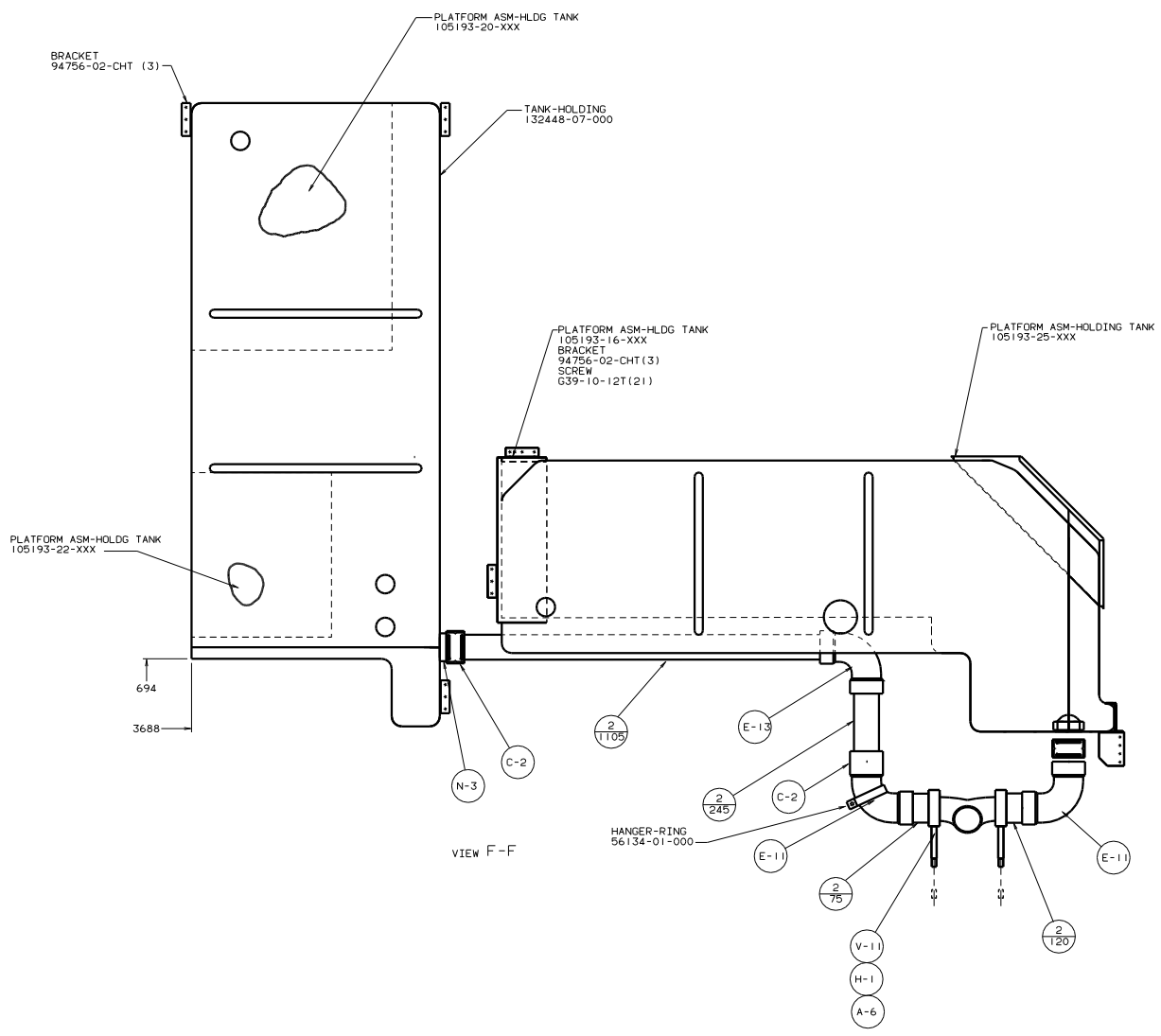
TANK-HOLDING, 40 GAL
123055-05-000

BRACKET ASM
123284-02-CHT
SCREW
G39-10-12B(4)

DETAIL E

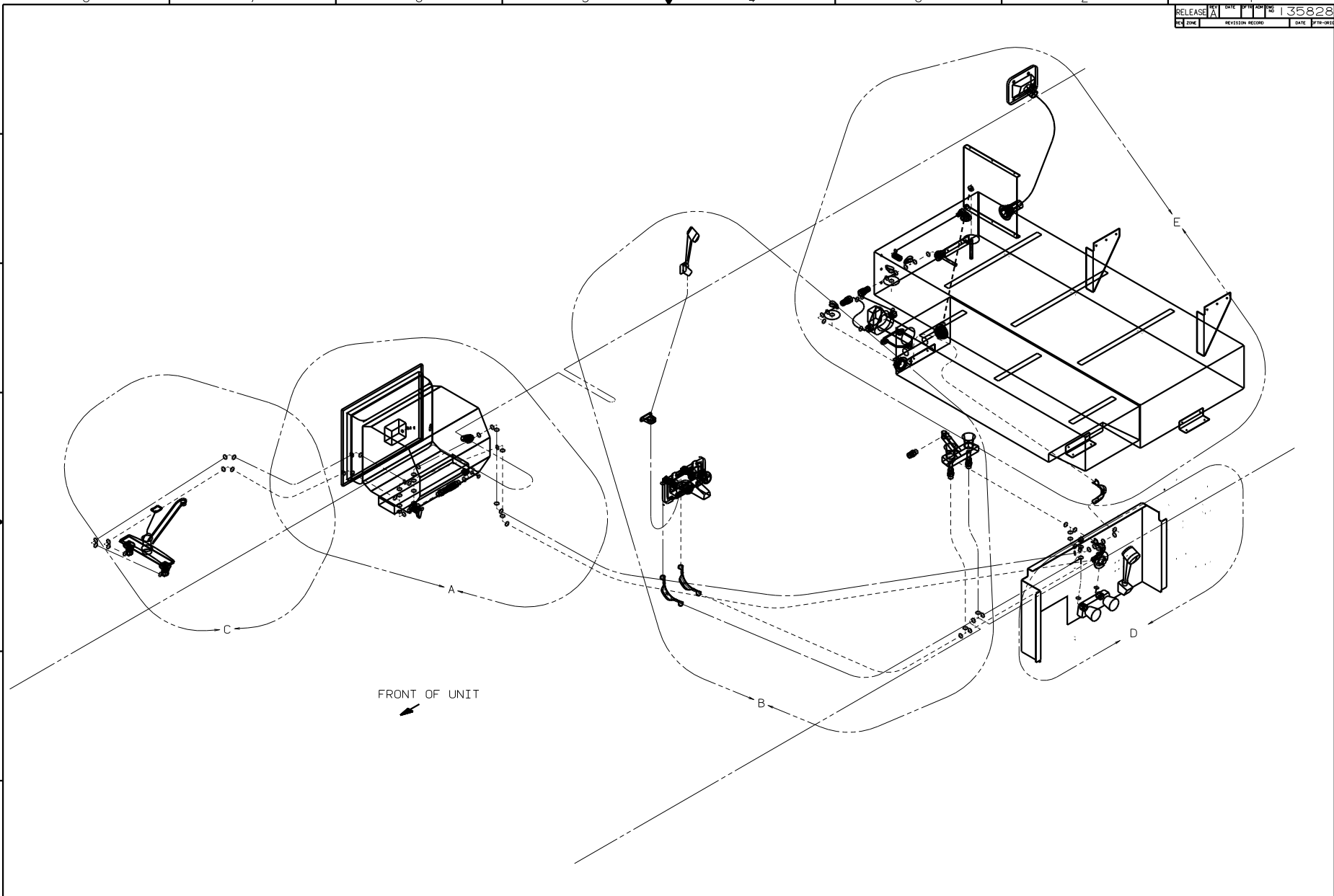
01 F35C

TITLE: DRAINAGE SYSTEM INSTL		FIG. NO. 135820	
NO. OF SHEETS	OF	SHEET NO.	FIG. NO.
3	4	3	135820



01 F35C

TITLE: DRAINAGE SYSTEM INSTL	
DO NOT SCALE DRAWING	FIG. NO. 1
SHEET 4 OF 4	135820



- ⑦ WRAP WITH TEFLON TAPE 10405-03-000 TO FITTINGS.
 - ⑧ WRAP WITH TEFLON TAPE 10405-02-000 TO FITTINGS.
 - ⑨ CLAMP MUST BE ON BARBS.
 - ⑩ LOCATE CUTOUT TO SUPPORT WATER HEATER.
3. ALL TUBING TO BE SECURED AT 1200 INTERVALS MAXIMUM WITH CLIP 91951-01-000 AND SCREW G13-06-16U.
2. TUBING TO BE INSTALLED WITH SUFFICIENT SLOPE TO PROVIDE DRAINAGE TO NEAREST VALVE.
1. PLASTIC FITTINGS TO BE SEALED WITH SEALANT 84456-01-000.

NOTES:

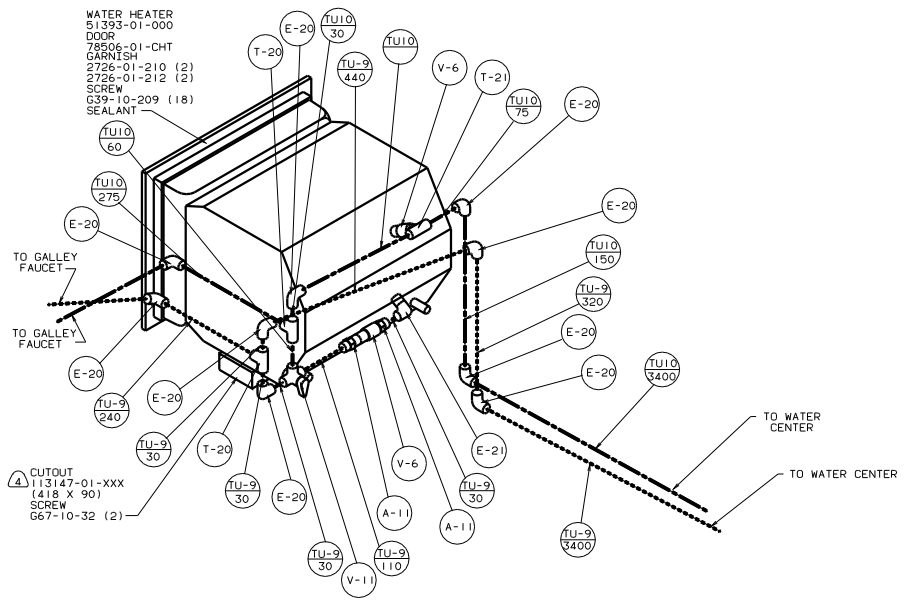
(TPM) WORKHORSE CH. 18.000LB. GVWR

FOR WATER CALLOUTS SEE DWG NO. 116230-01-000

WINNEBAGO		01 F35C	
DATE	DATE	UNSPECIFIED TOLERANCES ARE:	MATERIAL
DATE	DATE	WHOLE DIM (IN)	
DATE	DATE	ONE-PLACE (IN.21)	± .1
DATE	DATE	TWO-PLACE (IN.21)	± .05
DATE	DATE	THIRD PLACE (IN.21)	± .01
DATE	DATE	THIRD PLACE PROJECTION	± .01
DATE	DATE	DATE	DATE
DATE	DATE	DATE	DATE

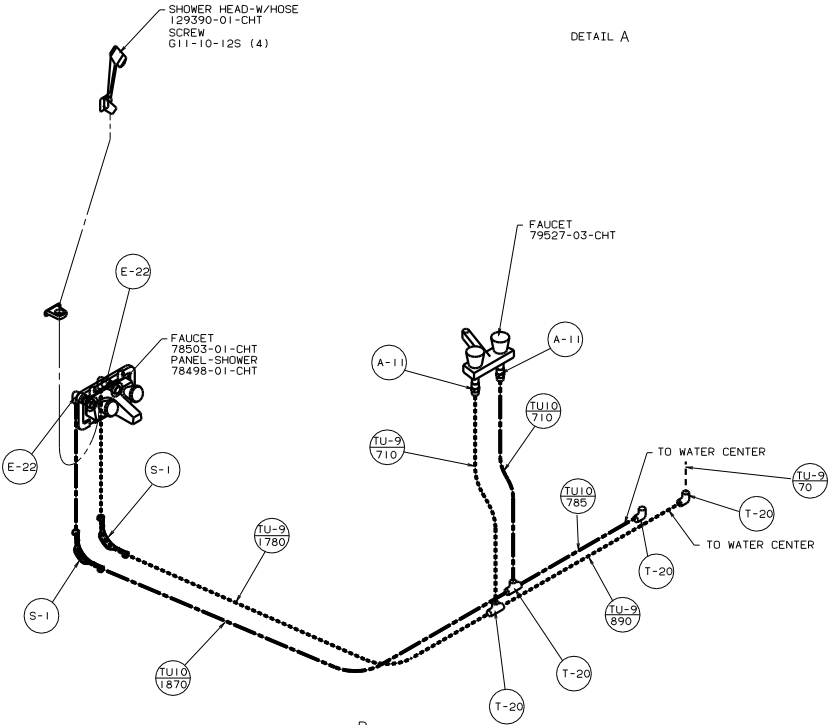
PART NO. G35C TITLE: WATER SYSTEM INSTL
 DIA # SCALE: NONE DIM. SCALE: NONE SHEET 1 OF 4 135828
 ALL DIMENSIONS ARE IN MILLIMETERS 1:1

WATER HEATER
 51393-01-000
 DOOR
 78506-01-CHT
 GARNISH
 2726-01-210 (2)
 2726-01-212 (2)
 SCREW
 639-10-209 (18)
 SEALANT

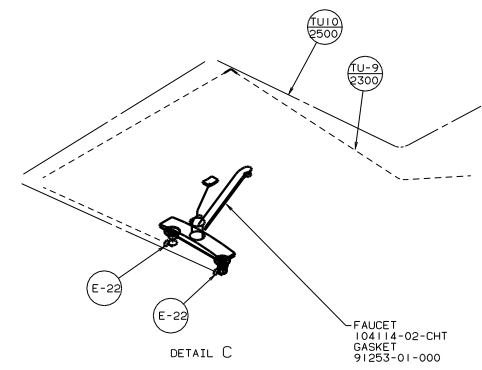


DETAIL A

SHOWER HEAD-W/HOSE
 129390-01-CHT
 SCREW
 G11-10-125 (4)

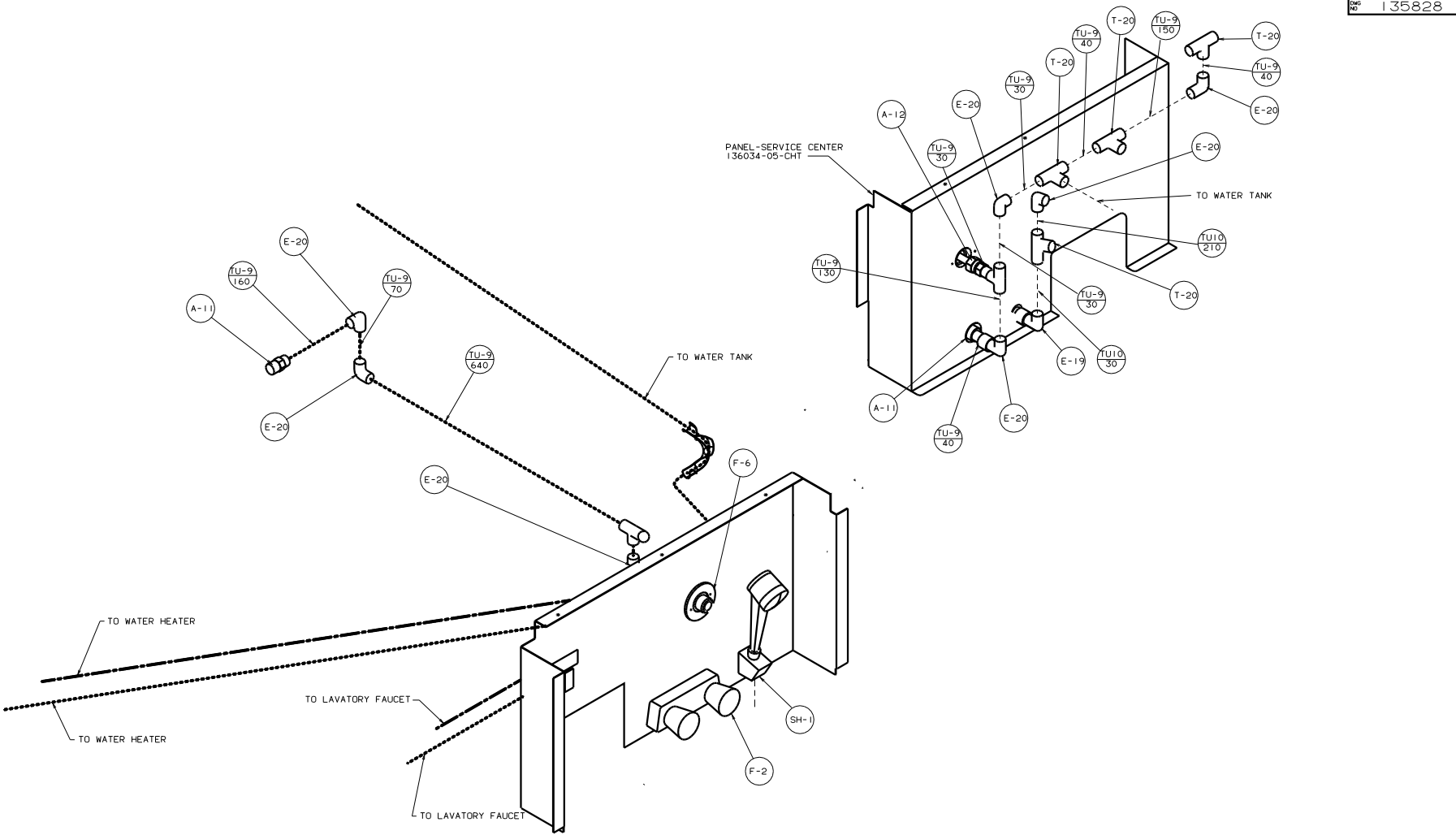


DETAIL B

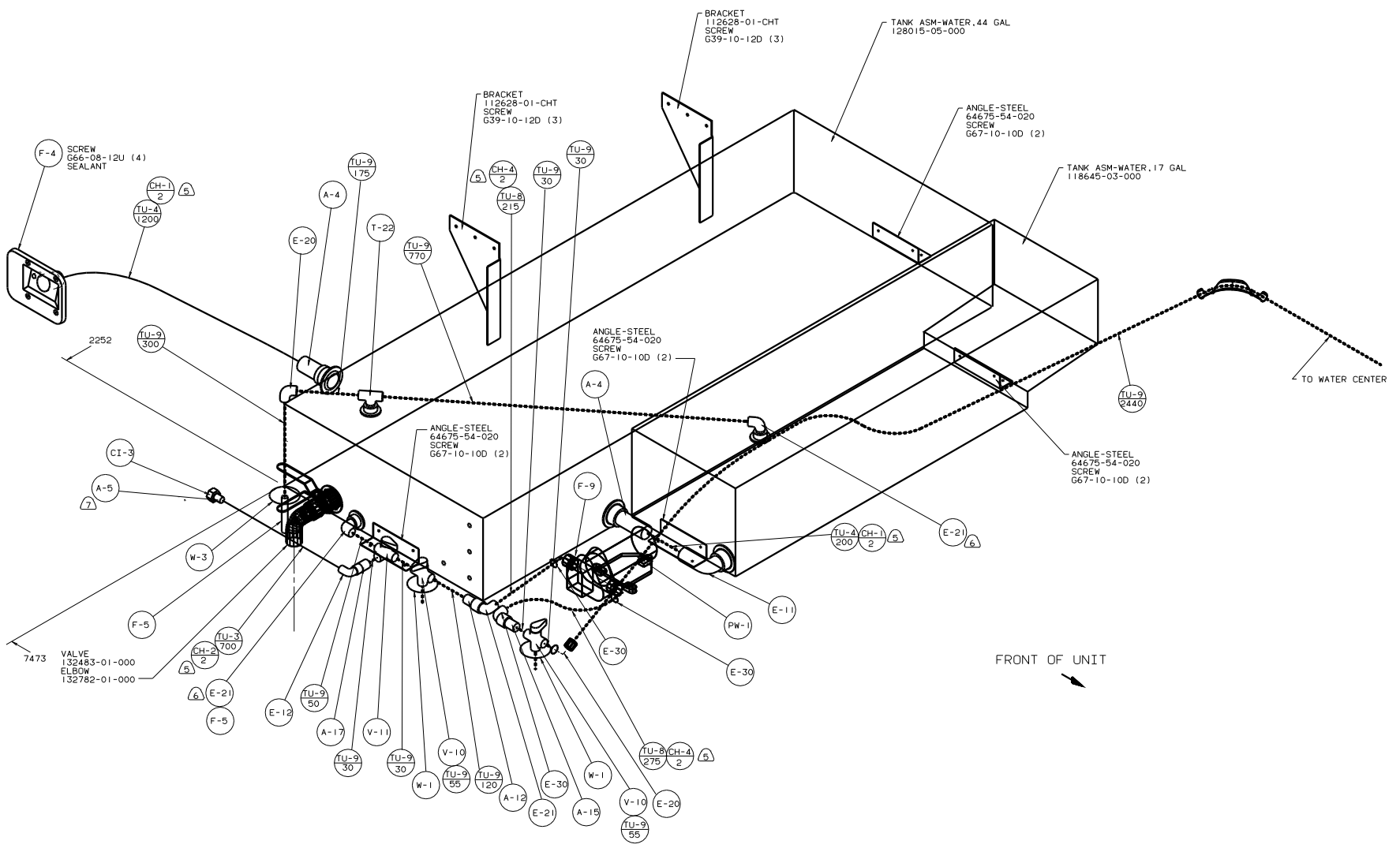


DETAIL C

TITLE		WATER SYSTEM INSTL	
NO	SCALE	REV	DATE
2	of 4	1	135828



DETAIL D



TO WATER CENTER

FRONT OF UNIT

DETAIL E

01 F35C

TITLE: WATER SYSTEM INSTL	
NO. OF SHEETS: 4	REV: 1
SHEET: 4 OF 4	FIG. NO: 135828