

- 10. TRIM P-TRAP EXTENSION TO FIT.
- 9. SECURE VENT TUBES TO FLOOR WITH BRACKET.
- 8. VENT PIPE MUST PROJECT 51 MM MIN AND 64 MM MAX ABOVE ROOF FOR PROPER FIT AND FUNCTION.
- 7. SEE DWG 61607-01-000 FOR INSTL OF GROMMETS.
- 6. SEAL ALL AROUND SHOWER WITH SILICONE.
- 5. EXPOSED PIPE ABOVE ROOF TO BE PAINTED WITH 37163-01-000.
- 4. ALL EXTERIOR OPENINGS AROUND PIPE TO BE SEALED WITH 11074-01-000.
- 3. ALL PIPE AND FITTINGS TO BE ASSEMBLED WITH SOLVENT 4020-01-000.
- 2. SLOPE OF TRAP ARM MUST BE 6 PER 305.
- 1. SLOPE OF HORIZONTAL PIPING TO BE 6 PER 305 MIN.

NOTES:

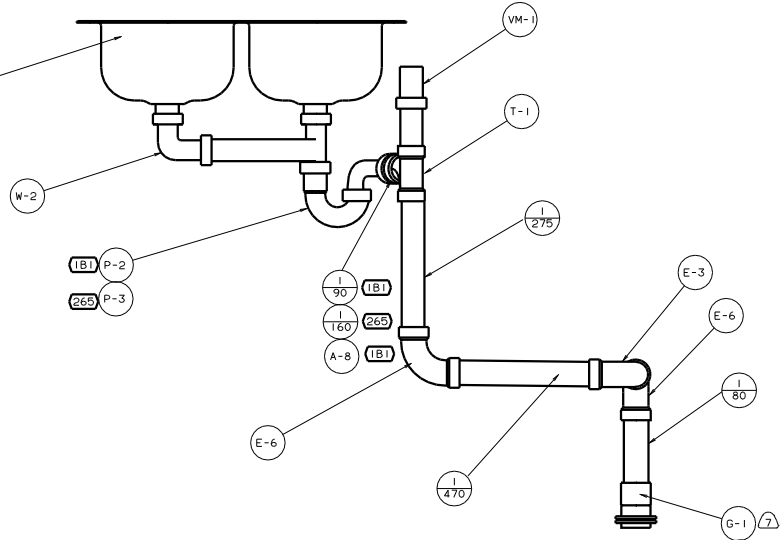
FRONT OF VEHICLE

265 CODES/STANDARDS-CSA/CMVSS
 TBT CODES/STANDARDS USA

FOR DRAINAGE CALLOUTS SEE DWG NO. 116229-01-000

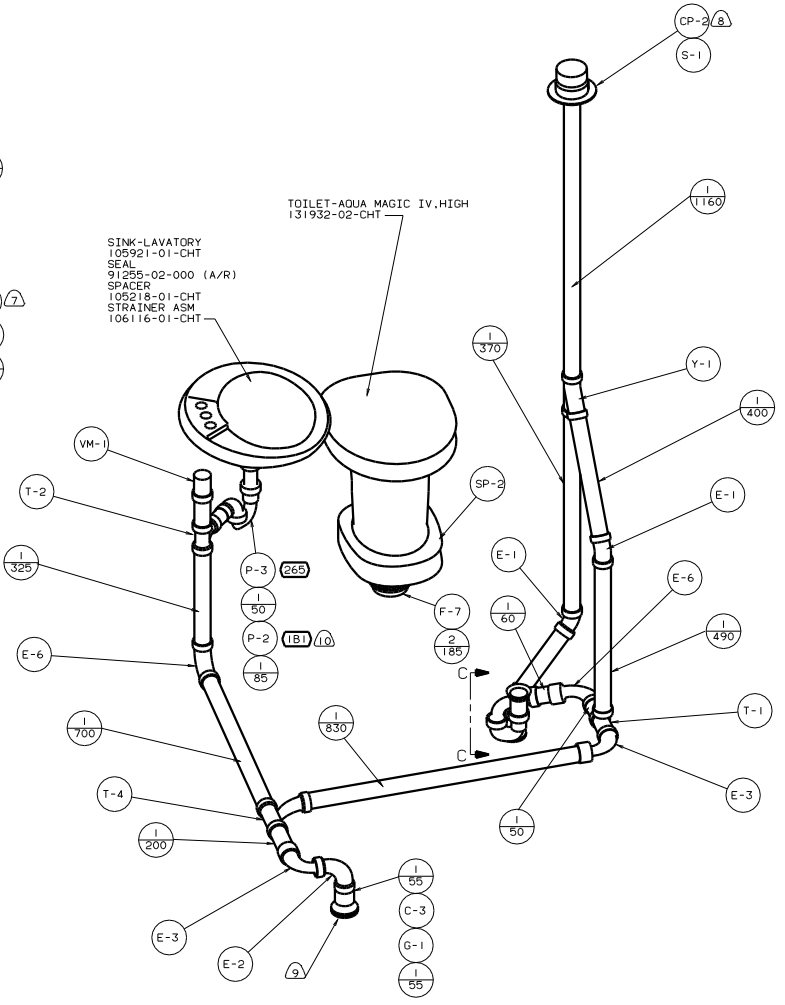
		01 F32T
DATE	UNDESIGNED TOLERANCES ARE:	MATERIAL
DATE	WHOLE DIM (IN)	F
DATE	ONE-PLACE (IN.XI)	.
DATE	TWO-PLACE (IN.XX)	.
DATE	THREE-PLACE (IN.XXX)	.
DATE	FOUR-PLACE (IN.XXXX)	.
DATE	FIVE-PLACE (IN.XXXXX)	.
DATE	SIX-PLACE (IN.XXXXXX)	.
DATE	SEVEN-PLACE (IN.XXXXXXX)	.
DATE	EIGHT-PLACE (IN.XXXXXXX)	.
DATE	NINE-PLACE (IN.XXXXXXX)	.
DATE	TEN-PLACE (IN.XXXXXXX)	.
DATE	ELEVEN-PLACE (IN.XXXXXXX)	.
DATE	TWELVE-PLACE (IN.XXXXXXX)	.
DATE	THIRTEEN-PLACE (IN.XXXXXXX)	.
DATE	FOURTEEN-PLACE (IN.XXXXXXX)	.
DATE	FIFTEEN-PLACE (IN.XXXXXXX)	.
DATE	SIXTEEN-PLACE (IN.XXXXXXX)	.
DATE	SEVENTEEN-PLACE (IN.XXXXXXX)	.
DATE	EIGHTEEN-PLACE (IN.XXXXXXX)	.
DATE	NINETEEN-PLACE (IN.XXXXXXX)	.
DATE	TWENTY-PLACE (IN.XXXXXXX)	.
DATE	TWENTY-ONE-PLACE (IN.XXXXXXX)	.
DATE	TWENTY-TWO-PLACE (IN.XXXXXXX)	.
DATE	TWENTY-THREE-PLACE (IN.XXXXXXX)	.
DATE	TWENTY-FOUR-PLACE (IN.XXXXXXX)	.
DATE	TWENTY-FIVE-PLACE (IN.XXXXXXX)	.
DATE	TWENTY-SIX-PLACE (IN.XXXXXXX)	.
DATE	TWENTY-SEVEN-PLACE (IN.XXXXXXX)	.
DATE	TWENTY-EIGHT-PLACE (IN.XXXXXXX)	.
DATE	TWENTY-NINE-PLACE (IN.XXXXXXX)	.
DATE	THIRTY-PLACE (IN.XXXXXXX)	.
DATE	THIRTY-ONE-PLACE (IN.XXXXXXX)	.
DATE	THIRTY-TWO-PLACE (IN.XXXXXXX)	.
DATE	THIRTY-THREE-PLACE (IN.XXXXXXX)	.
DATE	THIRTY-FOUR-PLACE (IN.XXXXXXX)	.
DATE	THIRTY-FIVE-PLACE (IN.XXXXXXX)	.
DATE	THIRTY-SIX-PLACE (IN.XXXXXXX)	.
DATE	THIRTY-SEVEN-PLACE (IN.XXXXXXX)	.
DATE	THIRTY-EIGHT-PLACE (IN.XXXXXXX)	.
DATE	THIRTY-NINE-PLACE (IN.XXXXXXX)	.
DATE	FOURTY-PLACE (IN.XXXXXXX)	.
DATE	FOURTY-ONE-PLACE (IN.XXXXXXX)	.
DATE	FOURTY-TWO-PLACE (IN.XXXXXXX)	.
DATE	FOURTY-THREE-PLACE (IN.XXXXXXX)	.
DATE	FOURTY-FOUR-PLACE (IN.XXXXXXX)	.
DATE	FOURTY-FIVE-PLACE (IN.XXXXXXX)	.
DATE	FOURTY-SIX-PLACE (IN.XXXXXXX)	.
DATE	FOURTY-SEVEN-PLACE (IN.XXXXXXX)	.
DATE	FOURTY-EIGHT-PLACE (IN.XXXXXXX)	.
DATE	FOURTY-NINE-PLACE (IN.XXXXXXX)	.
DATE	FIFTY-PLACE (IN.XXXXXXX)	.
DATE	FIFTY-ONE-PLACE (IN.XXXXXXX)	.
DATE	FIFTY-TWO-PLACE (IN.XXXXXXX)	.
DATE	FIFTY-THREE-PLACE (IN.XXXXXXX)	.
DATE	FIFTY-FOUR-PLACE (IN.XXXXXXX)	.
DATE	FIFTY-FIVE-PLACE (IN.XXXXXXX)	.
DATE	FIFTY-SIX-PLACE (IN.XXXXXXX)	.
DATE	FIFTY-SEVEN-PLACE (IN.XXXXXXX)	.
DATE	FIFTY-EIGHT-PLACE (IN.XXXXXXX)	.
DATE	FIFTY-NINE-PLACE (IN.XXXXXXX)	.
DATE	SIXTY-PLACE (IN.XXXXXXX)	.
DATE	SIXTY-ONE-PLACE (IN.XXXXXXX)	.
DATE	SIXTY-TWO-PLACE (IN.XXXXXXX)	.
DATE	SIXTY-THREE-PLACE (IN.XXXXXXX)	.
DATE	SIXTY-FOUR-PLACE (IN.XXXXXXX)	.
DATE	SIXTY-FIVE-PLACE (IN.XXXXXXX)	.
DATE	SIXTY-SIX-PLACE (IN.XXXXXXX)	.
DATE	SIXTY-SEVEN-PLACE (IN.XXXXXXX)	.
DATE	SIXTY-EIGHT-PLACE (IN.XXXXXXX)	.
DATE	SIXTY-NINE-PLACE (IN.XXXXXXX)	.
DATE	SEVENTY-PLACE (IN.XXXXXXX)	.
DATE	SEVENTY-ONE-PLACE (IN.XXXXXXX)	.
DATE	SEVENTY-TWO-PLACE (IN.XXXXXXX)	.
DATE	SEVENTY-THREE-PLACE (IN.XXXXXXX)	.
DATE	SEVENTY-FOUR-PLACE (IN.XXXXXXX)	.
DATE	SEVENTY-FIVE-PLACE (IN.XXXXXXX)	.
DATE	SEVENTY-SIX-PLACE (IN.XXXXXXX)	.
DATE	SEVENTY-SEVEN-PLACE (IN.XXXXXXX)	.
DATE	SEVENTY-EIGHT-PLACE (IN.XXXXXXX)	.
DATE	SEVENTY-NINE-PLACE (IN.XXXXXXX)	.
DATE	EIGHTY-PLACE (IN.XXXXXXX)	.
DATE	EIGHTY-ONE-PLACE (IN.XXXXXXX)	.
DATE	EIGHTY-TWO-PLACE (IN.XXXXXXX)	.
DATE	EIGHTY-THREE-PLACE (IN.XXXXXXX)	.
DATE	EIGHTY-FOUR-PLACE (IN.XXXXXXX)	.
DATE	EIGHTY-FIVE-PLACE (IN.XXXXXXX)	.
DATE	EIGHTY-SIX-PLACE (IN.XXXXXXX)	.
DATE	EIGHTY-SEVEN-PLACE (IN.XXXXXXX)	.
DATE	EIGHTY-EIGHT-PLACE (IN.XXXXXXX)	.
DATE	EIGHTY-NINE-PLACE (IN.XXXXXXX)	.
DATE	NINETY-PLACE (IN.XXXXXXX)	.
DATE	NINETY-ONE-PLACE (IN.XXXXXXX)	.
DATE	NINETY-TWO-PLACE (IN.XXXXXXX)	.
DATE	NINETY-THREE-PLACE (IN.XXXXXXX)	.
DATE	NINETY-FOUR-PLACE (IN.XXXXXXX)	.
DATE	NINETY-FIVE-PLACE (IN.XXXXXXX)	.
DATE	NINETY-SIX-PLACE (IN.XXXXXXX)	.
DATE	NINETY-SEVEN-PLACE (IN.XXXXXXX)	.
DATE	NINETY-EIGHT-PLACE (IN.XXXXXXX)	.
DATE	HUNDRED-PLACE (IN.XXXXXXX)	.

SINK-SST,DOUBLE
 104113-01-000 (US/CAN)
 STRAINER
 95303-01-000 (2)
 SEAL
 9125-02-000
 RETAINER
 105497-01-000 (4)
 SCREW
 G67-06-10U (22)

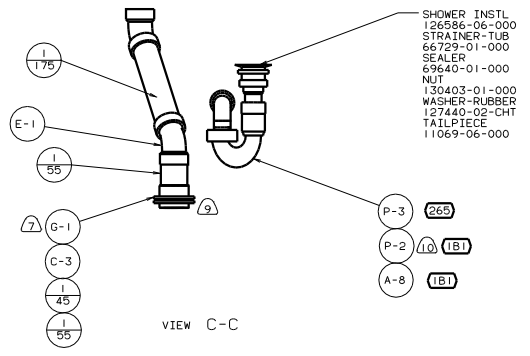


DETAIL A

SINK-LAVATORY
 105921-01-CHT
 SEAL
 91255-02-000 (A/R)
 SPACER
 105218-01-CHT
 STRAINER ASM
 106116-01-CHT



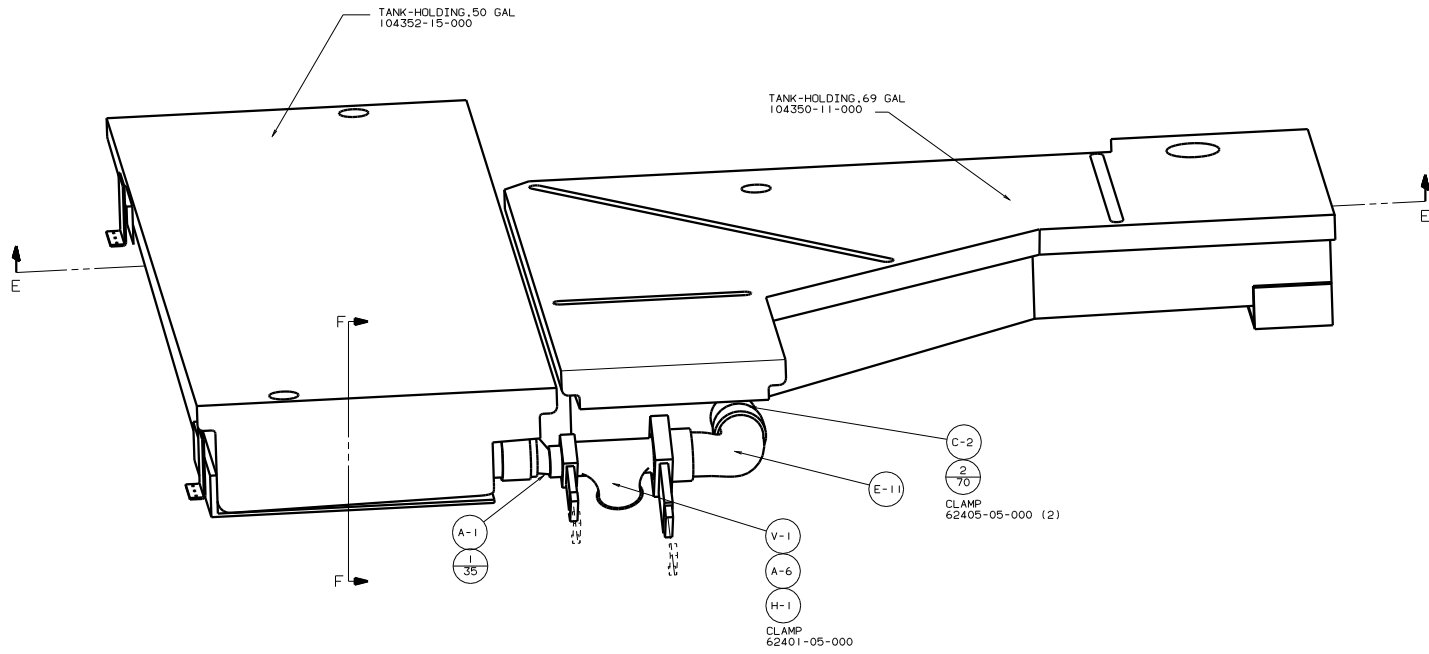
DETAIL B



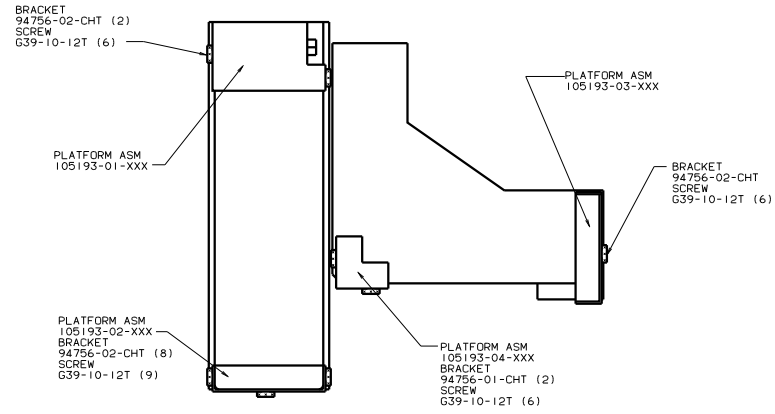
VIEW C-C

01 F32T

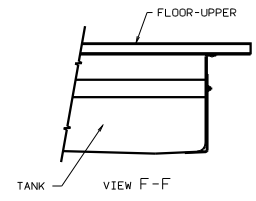
TITLE		DRAINAGE SYSTEM INSTL	
NO	REV	DATE	BY
1	1		
SHEET 2 OF 3		136375	



DETAIL D



VIEW E-E

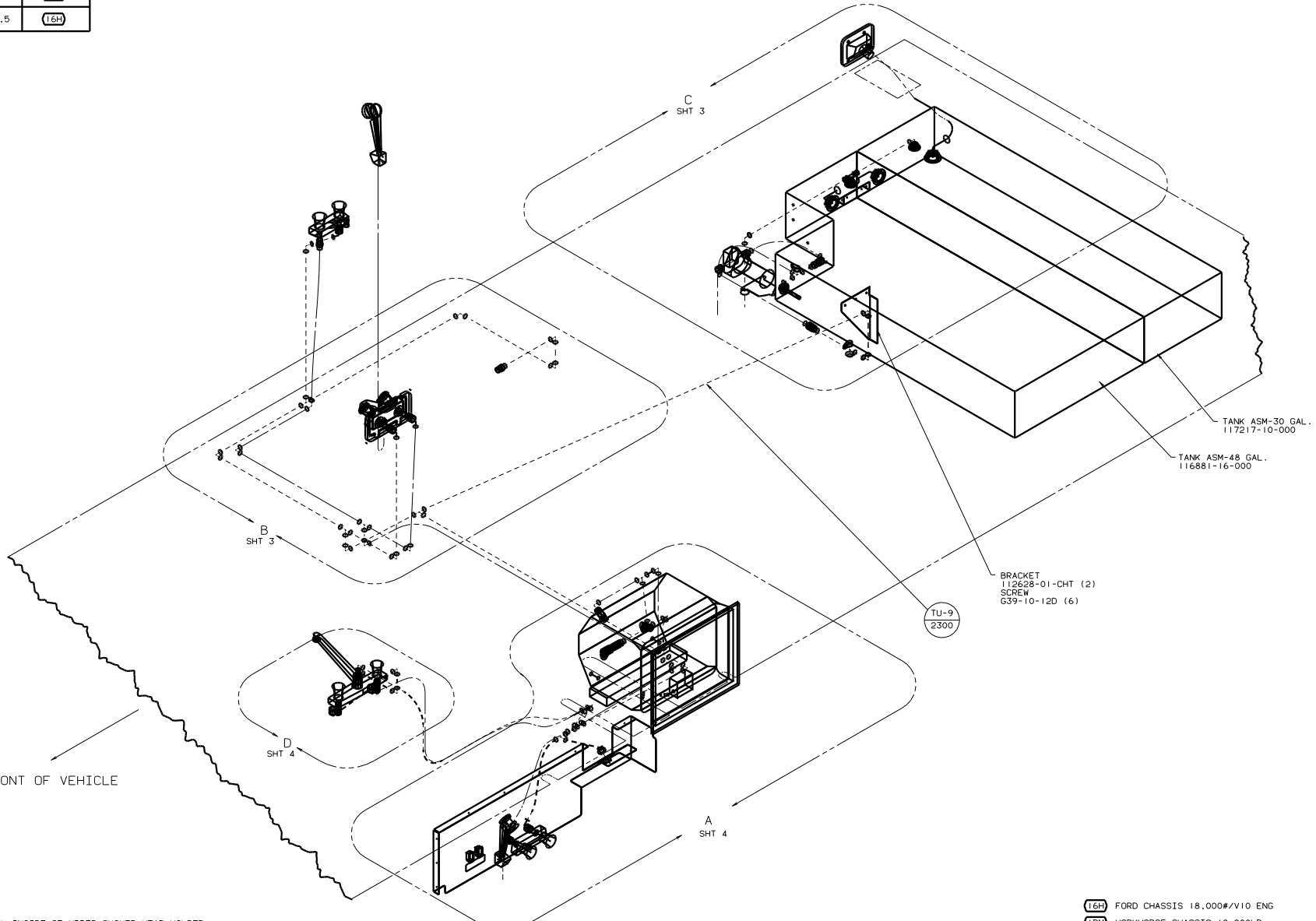


VIEW F-F

01 F32T

TITLE: DRAINAGE SYSTEM INSTL		FIG. NO.	136375
30 DAY SCALE DRAWING	3 OF 3	1/E	

DWG NO	SHT	CHASSIS
136374-01	1, 3, 4	(TPM)
136374-02	2, 3, 4, 5	(T6H)



- NOTES:
1. PLASTIC FITTINGS TO BE SEALED WITH SEALANT 84456-01-000.
 2. TUBING TO BE INSTALLED WITH SUFFICIENT SLOPE TO PROVIDE DRAINAGE TO THE NEAREST VALVE.
 3. ALL TUBING TO BE SECURED AT 1200 INTERVALS MAX WITH CLAMP 10495-01-000 OR CLIP 91951-01-000 AND SCREW G67-10-12B.
 4. CLAMP MUST BE ON BARBS.
 5. ADD TEFLON TAPE 10405-02-000 TO FITTING.
 6. ADD TEFLON TAPE 10405-03-000 TO FITTING.
 7. APPLY DECAL INSIDE OF UPPER SHOWER HEAD HOLDER TO RETAIN HAND SHOWER UNIT INSIDE HOLDER.

(T6H) FORD CHASSIS 18.000#/V10 ENG
 (TPM) WORKHORSE CHASSIS-18,000LB.

LEGEND

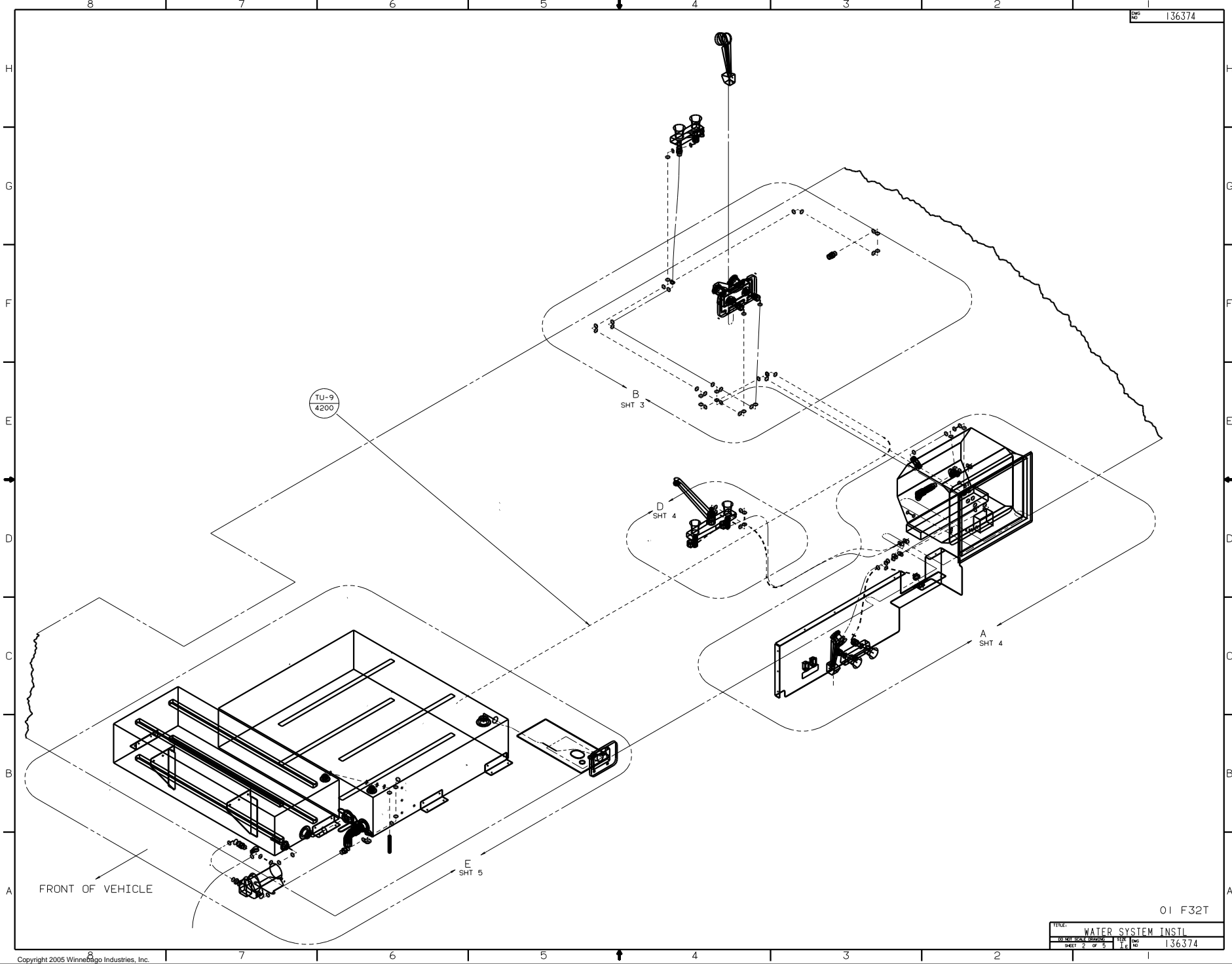
HOT	—————
COLD	••••••••

(X-X) FOR WATER CALLOUTS SEE DWG NO. 116230-01-000

WINNEBAGO 01 F32T

DATE	UNDESIGNED TOLERANCES ARE:	MATERIAL
DATE	WHOLE DIM (IN)	F
DATE	ONE-PLACE (IN.XI)	.
DATE	TWO-PLACE (IN.XXX)	0.00
DATE	MIXED	
DATE	INDUS. W/AVE	
DATE	PRODUCTION	

LANSH F3210 TITLE WATER SYSTEM INSTL
 DIA # SCALE NOTE 30:100 SCALE 3/16" DIA # 136374
 ALL DIMENSIONS ARE IN MILLIMETERS SHEET 1 OF 5



TU-9
4200

B
SHT 3

D
SHT 4

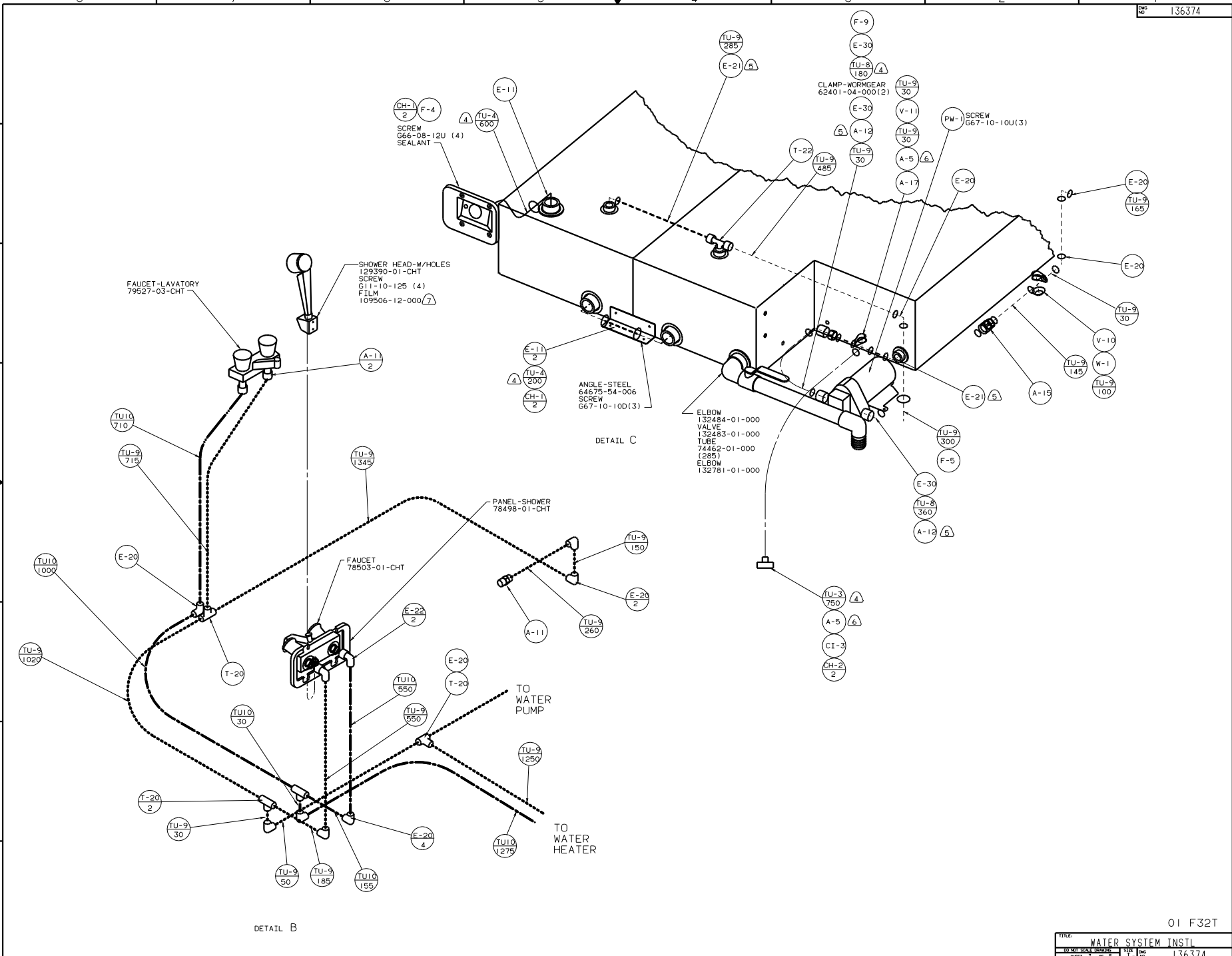
A
SHT 4

E
SHT 5

FRONT OF VEHICLE

01 F32T

TITLE: WATER SYSTEM INSTL	
TO SHEET NO. 2 OF 5	REV. NO. 1
136374	



FAUCET-LAVATORY
79527-03-CHT

SHOWER HEAD-W/HOLES
129390-01-CHT
SCREW
G11-10-125 (4)
FILM
109506-12-000 (7)

CH-1
2
F-4
TU-4
600
SCREW
G66-08-12U (4)
SEALANT

ANGLE-STEEL
64675-54-006
SCREW
G67-10-100(3)

DETAIL C

ELBOW
132484-01-000
VALVE
132483-01-000
TUBE
74462-01-000
(285)
ELBOW
132781-01-000

PANEL-SHOWER
78498-01-CHT

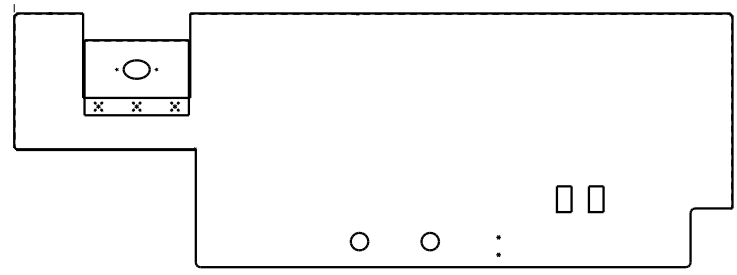
FAUCET
78503-01-CHT

TO WATER
PUMP

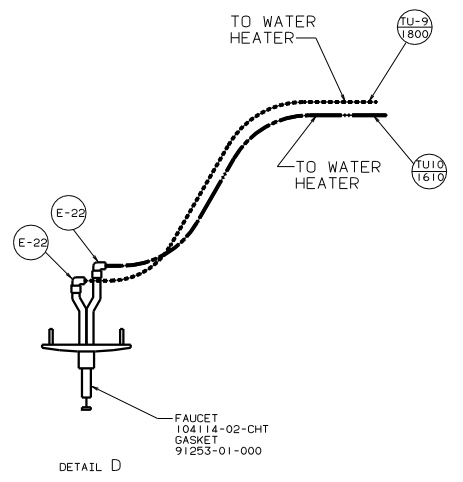
TO WATER
HEATER

DETAIL B

TITLE		01 F32T	
WATER SYSTEM INSTL			
30 IN SCALE	DATE	REV	136374
SHEET 3 OF 5	1 E		



VIEW E-E

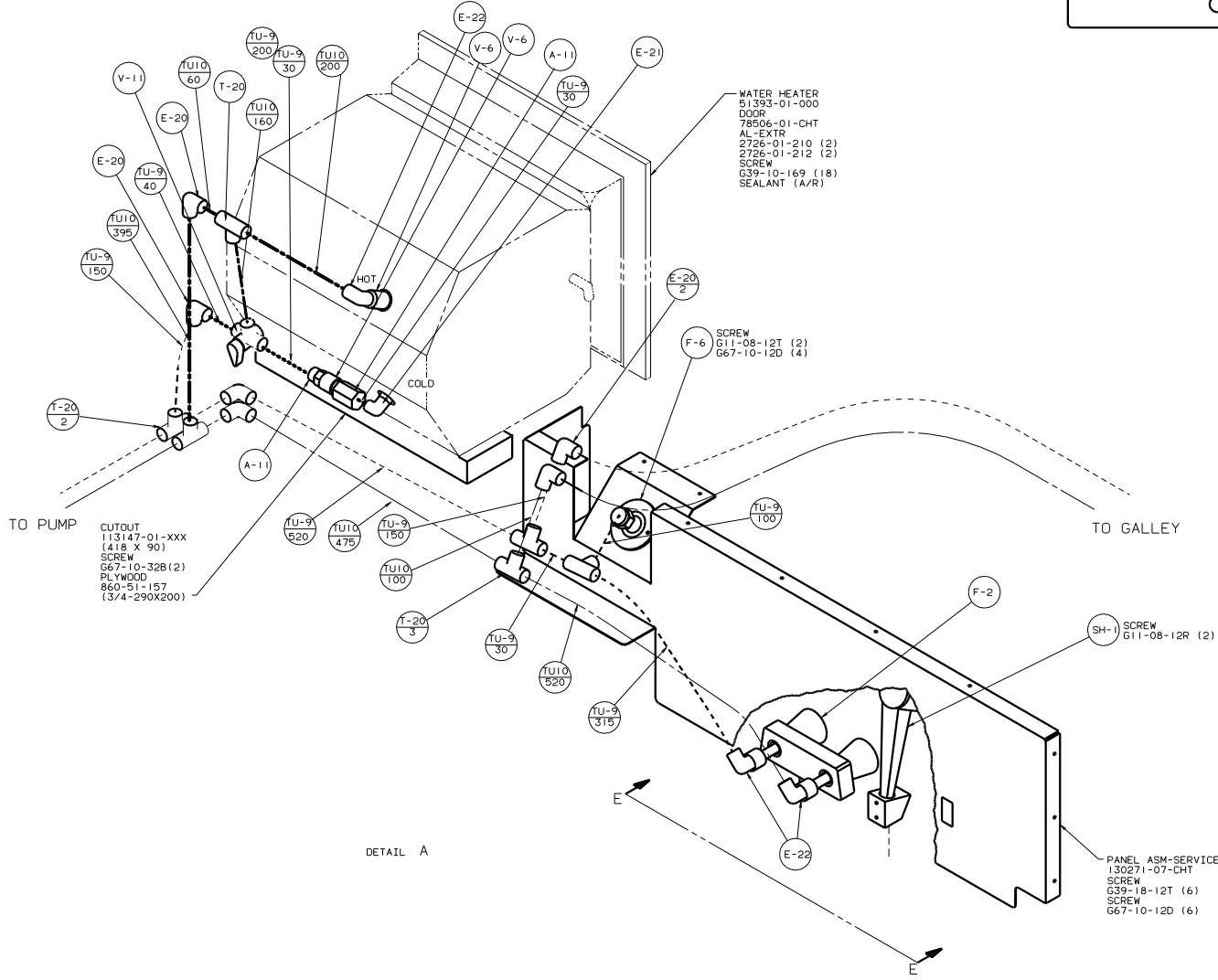


WATER HEATER
 51393-01-000
 D309
 78506-01-CHT
 AL-EXTR
 2726-01-210 (2)
 2726-01-212 (2)
 SCREW
 G39-10-169 (18)
 SEALANT (A/R)

F-6 SCREW
 G11-08-12T (2)
 G67-10-12D (4)

SH-1 SCREW
 G11-08-12R (2)

PANEL ASM-SERVICE CENTER
 130271-07-CHT
 SCREW
 G39-18-12T (6)
 SCREW
 G67-10-12D (6)



TO PUMP
 CUTOFF
 113147-01-XXX
 (418 X 90)
 SCREW
 G67-10-32B (2)
 PLYWOOD
 860-51-157
 (3/4-290X200)

DETAIL A

