

SHOWER INSTL-ENCLOSURE
131620-07-000
DRAIN
132150-01-CHT
SEALER
69641-01-000
NUT
130403-01-000
TAILPIECE
11069-06-000
WASHER
127440-02-CHT

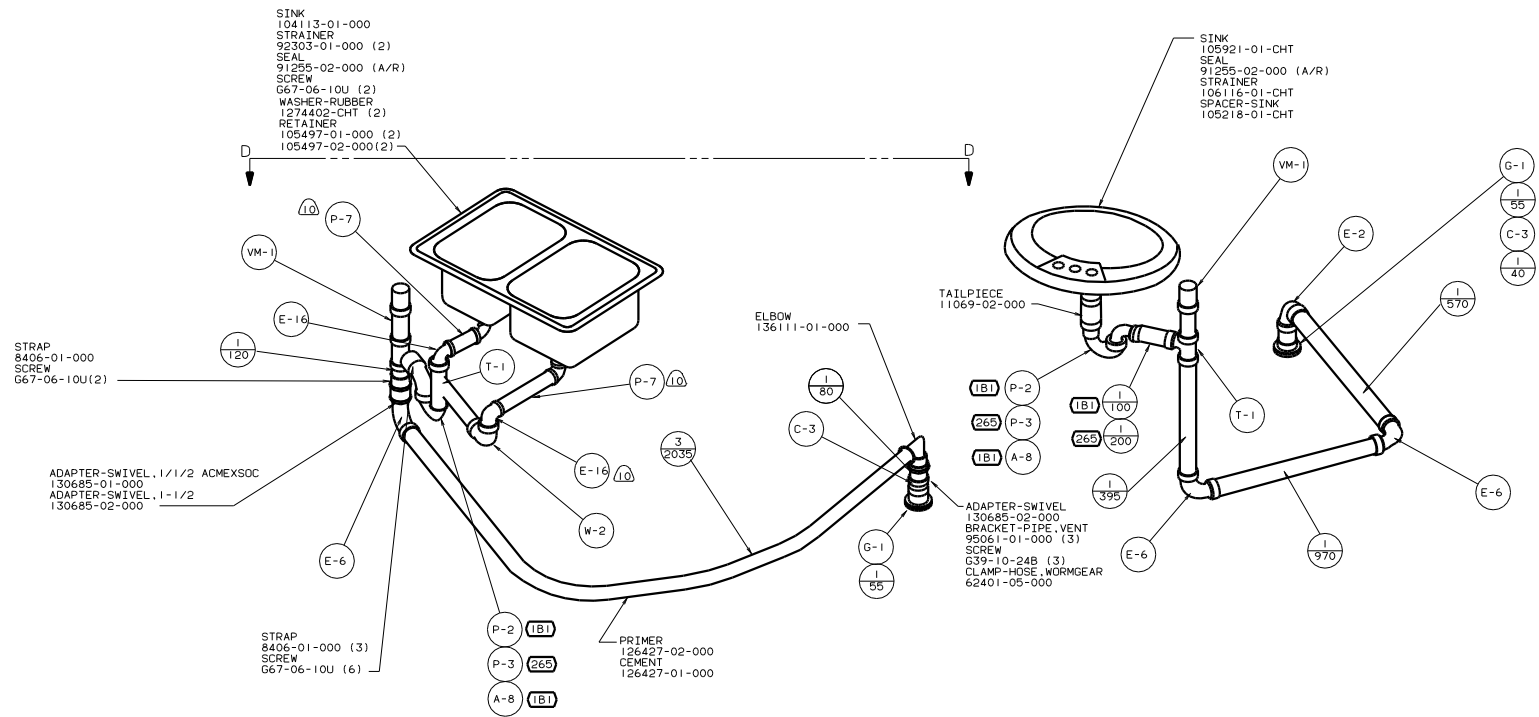
TOILET-AQUA MAGIC IV
131932-02-000

SCREW
657-14-64B (8)

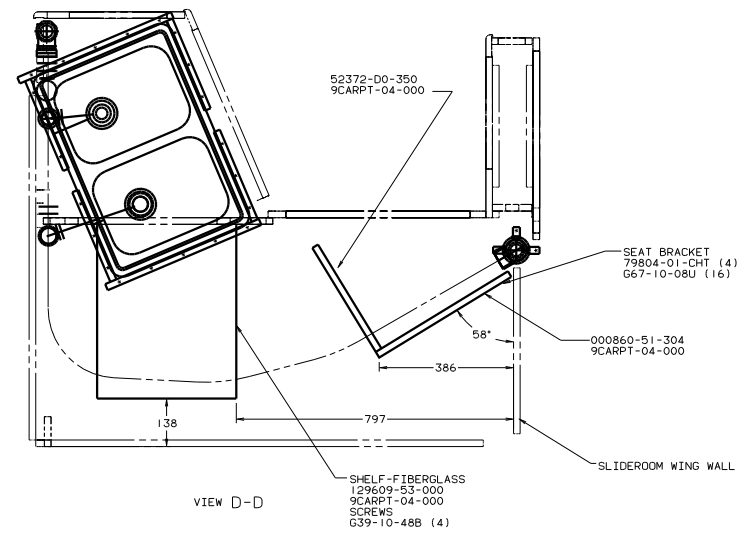
VIEW A-A

O1 F30W

TITLE: DRAINAGE SYSTEM INSTL		FIG. NO. 134956	
DO NOT SCALE DRAWING	SHEET 2 OF 4	REV. NO.	1.0



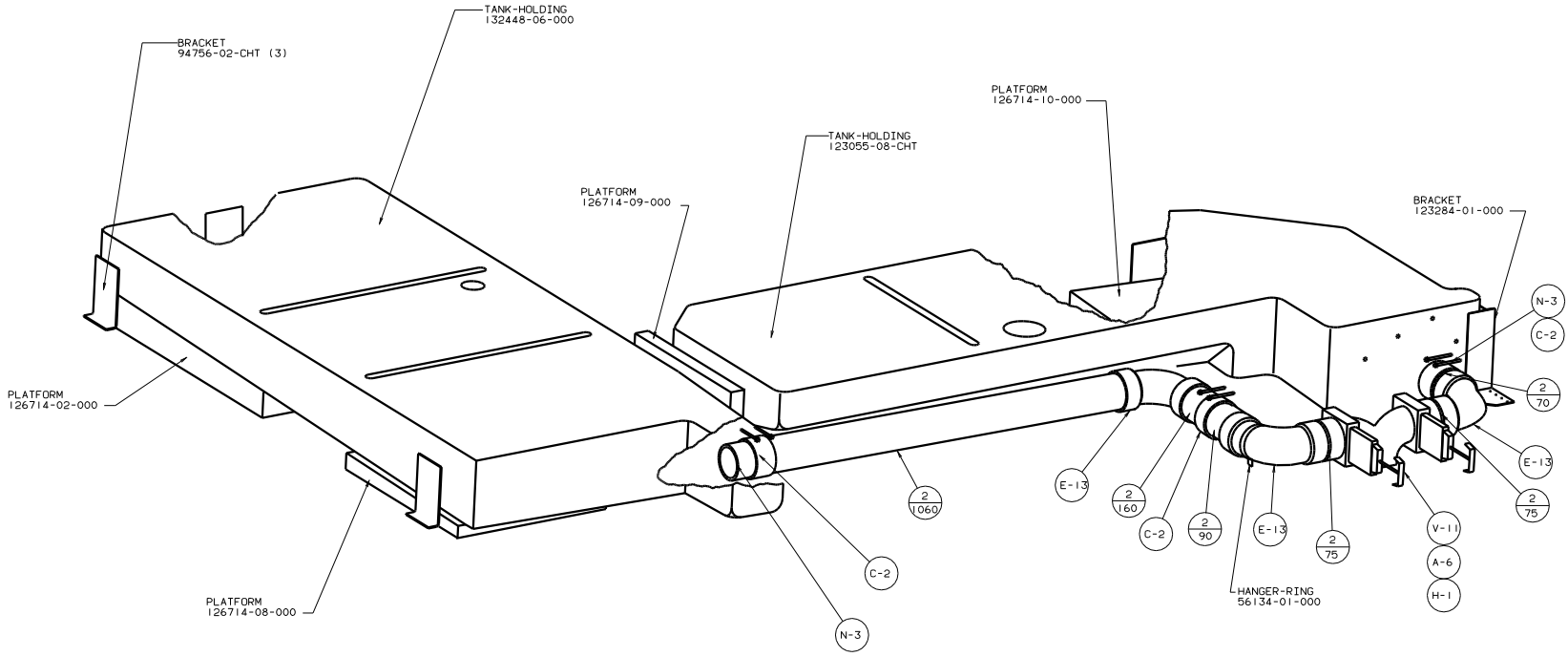
DETAIL B



VIEW D-D

01 F30W

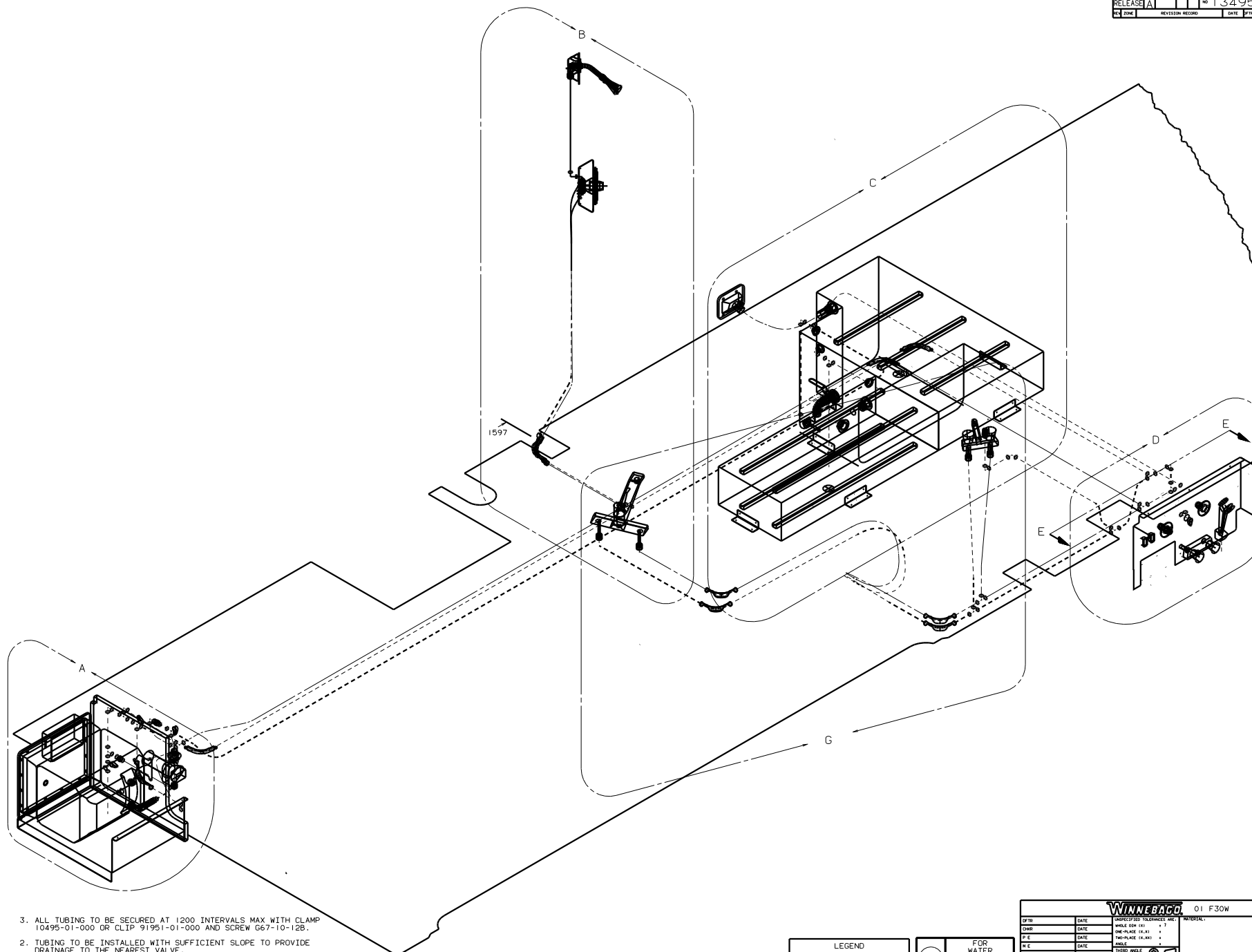
TITLE		DRAWING NO.	
DRAINAGE SYSTEM INSTL		134956	
NO. OF SHEETS	TOTAL SHEETS	DATE	BY
3 OF 4	4		



VIEW C-C

01 F30W

TITLE: DRAINAGE SYSTEM INSL		FIG. NO. 1	
DO NOT SCALE DRAWING	SHEET 4 OF 4	INC. NO.	134956



3. ALL TUBING TO BE SECURED AT 1200 INTERVALS MAX WITH CLAMP 10495-01-000 OR CLIP 91951-01-000 AND SCREW G67-10-12B.
2. TUBING TO BE INSTALLED WITH SUFFICIENT SLOPE TO PROVIDE DRAINAGE TO THE NEAREST VALVE.
1. PLASTIC FITTINGS TO BE SEALED WITH SEALANT 84456-01-000.

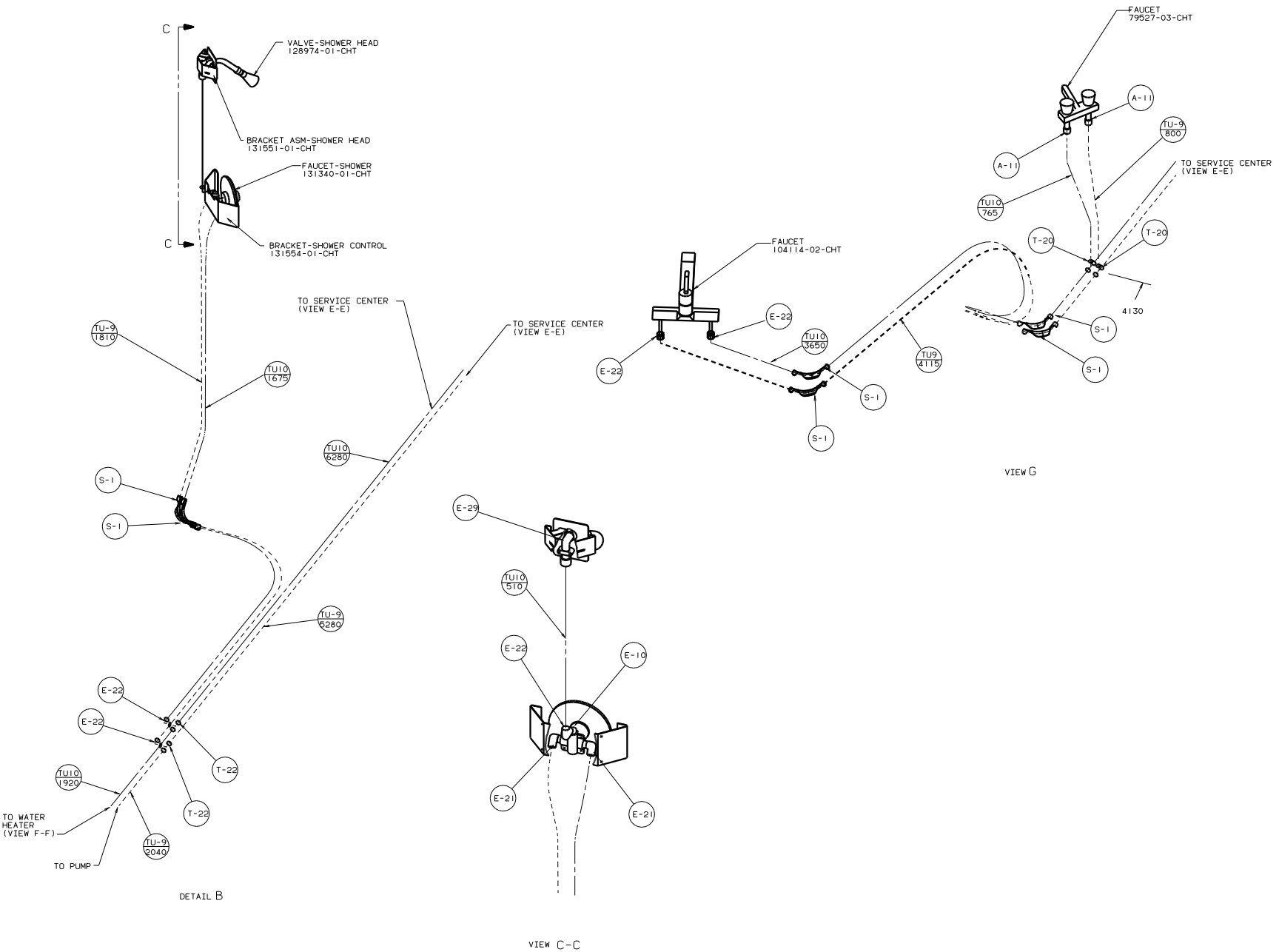
NOTES:

- (5) ADD TEFLON TAPE 10405-02-000 TO FITTING.
- (4) CLAMP MUST BE ON BARBS.

LEGEND	
HOT	●●●●●●●●
COLD	●●●●●●●●

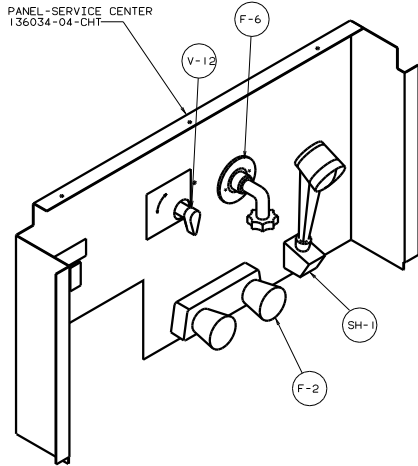
(X-X)
 FOR WATER CALLOUTS SEE DWG NO. 116230-01-000

WINNEBAGO 01 F30W OF TR DATE UNSPECIFIED TOLERANCES ARE MATERIAL CHG DATE ONE-PLACE (R.81) : P/E DATE TWO-PLACE (R.88) : D/E DATE ANGLE : CDWG DATE THIRD ANGLE PERSPECTIVE :		REF: 134957	
		LAYOUT F30W TITLE: WATER SYSTEM INSTL DWG # SCALE: NONE TO THE SCALE SHOWN SHEET 1 OF 4 ALL DIMENSIONS ARE IN MILLIMETERS SHEET 1 OF 4 DWG NO. 134957	



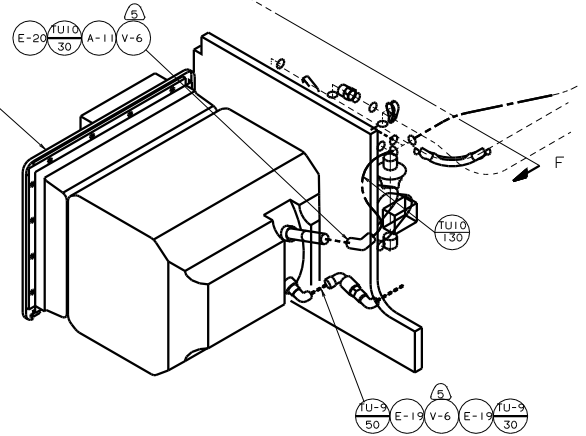
01 F30W

TITLE: WATER SYSTEM INSTL	
NO. OF SHEETS: 4	SHEET NO. 2
REV. NO. 1	REV. DATE
134957	

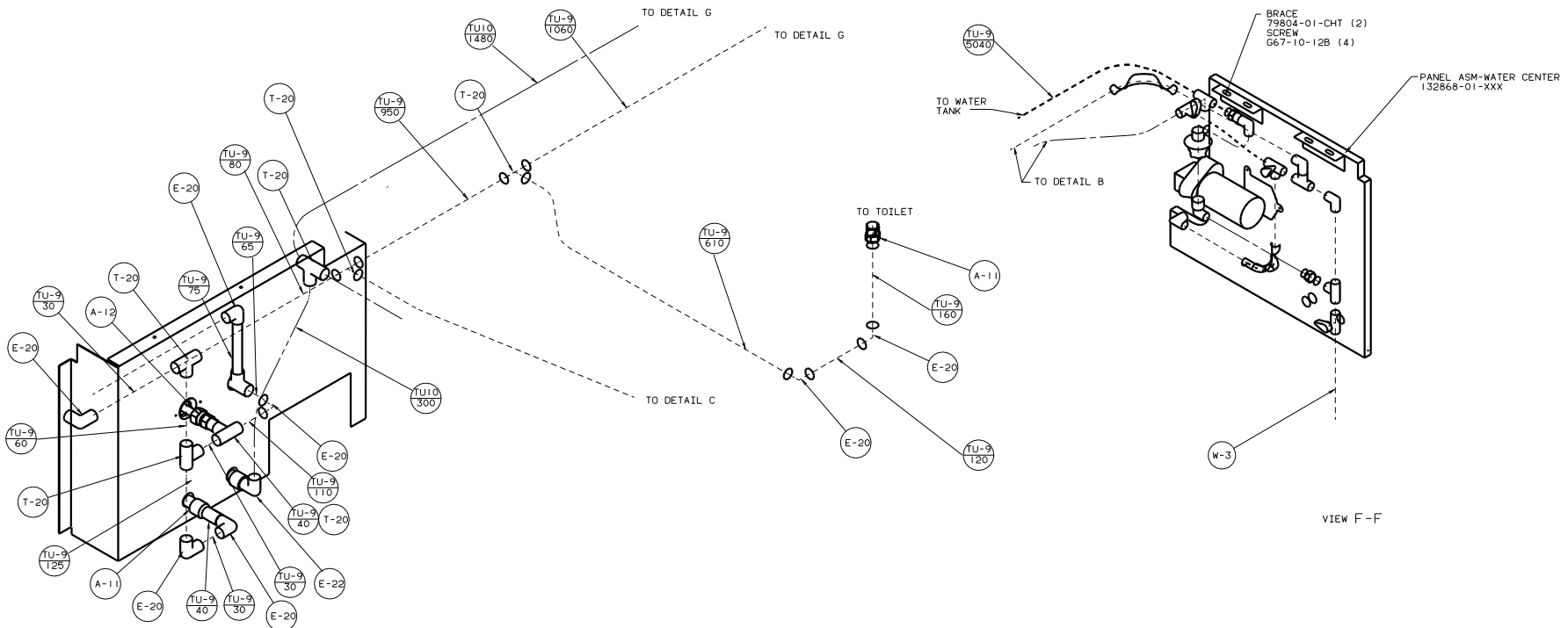


DETAIL CB

WATER HEATER
51393-01-000
DOOR
125420-04-CHT

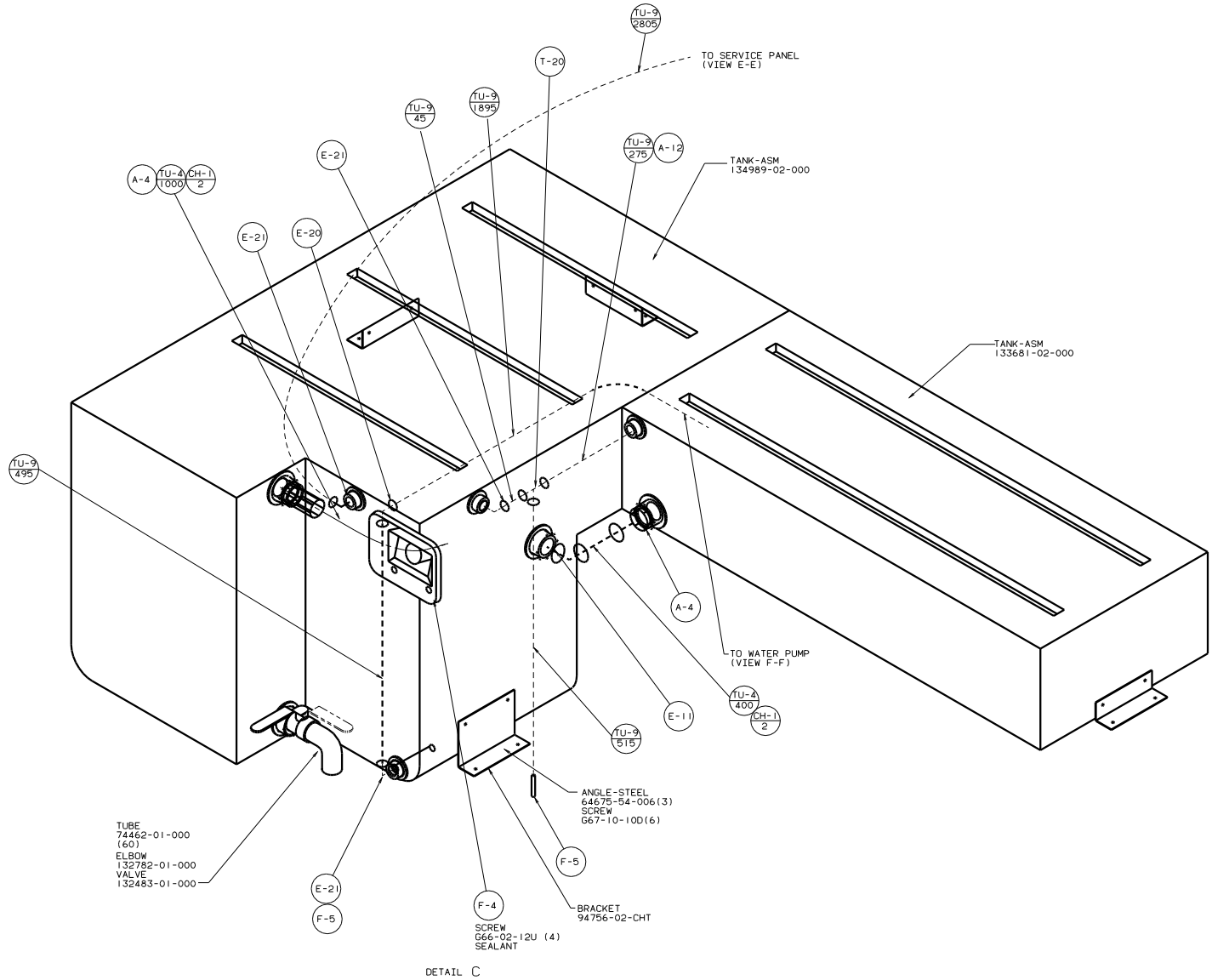


DETAIL A
SEE VIEW F-F FOR CALLOUTS



01 F30W

TITLE		WATER SYSTEM INSTL	
30	NO SCALE	1/8"	1/8"
SHEET 3 OF 4		1/8"	1/8"
		134957	



DETAIL C