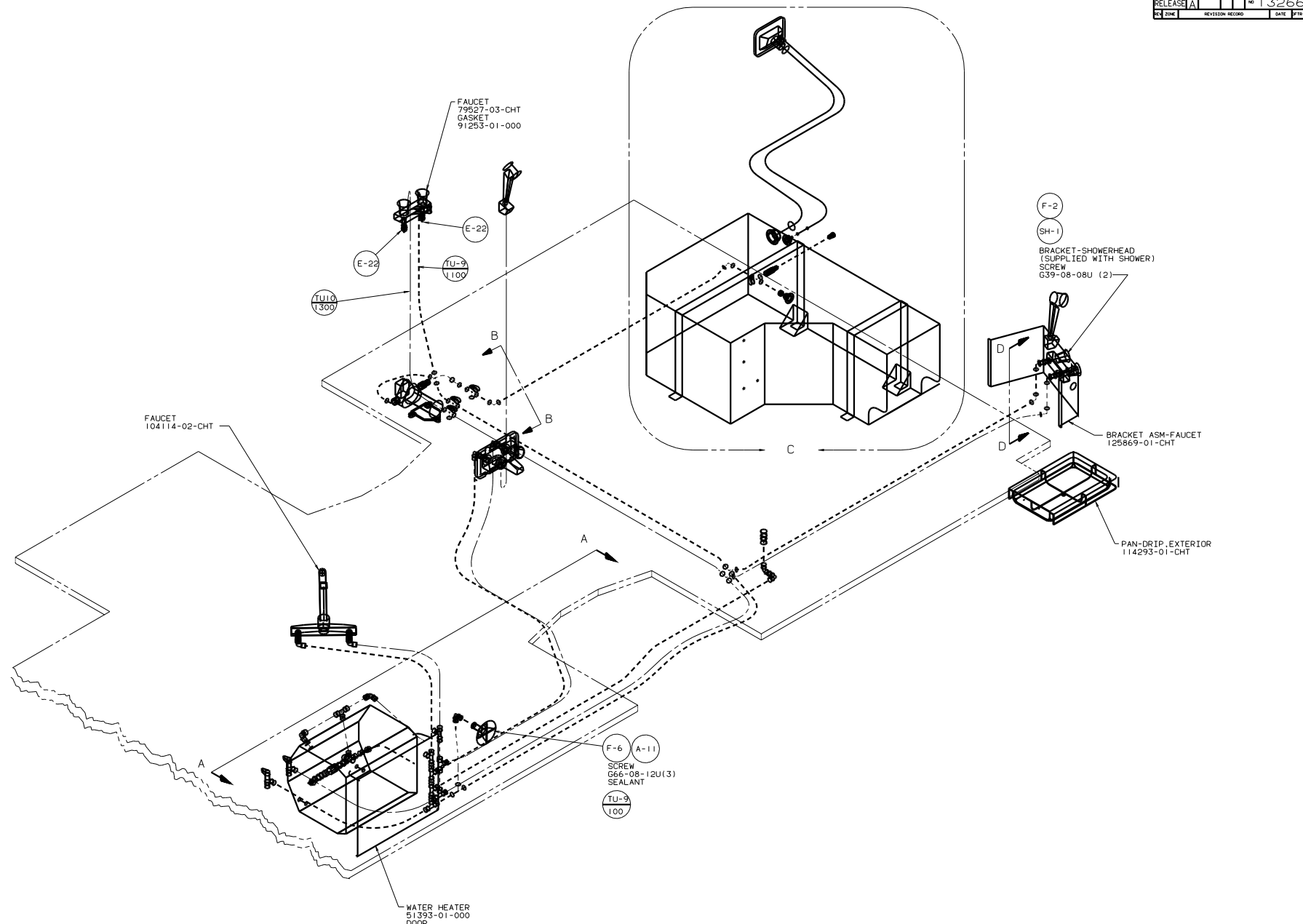


- 1. SLOPE OF HORIZONTAL PIPING TO BE 6 PER 305 MIN.
- 2. SLOPE OF TRAP ARM MUST BE 6 PER 305.
- 3. ALL PIPE AND FITTINGS TO BE ASSEMBLED WITH SOLVENT 4020-01-000.
- 4. ALL EXTERIOR OPENINGS AROUND PIPE TO BE SEALED WITH 69637-01-000.
- 5. EXPOSED PIPE ABOVE ROOF TO BE PAINTED 37163-01-000.
- 6. FOR CAN UNITS EACH HOLDING TANK SHALL HAVE A CSA APPROVAL STAMPED NEAR THE IAMPO APPROVAL.
- 7. SEAL ALL AROUND SHOWER WITH SILICONE 78474-01-CHT.
- 8. SEE DWG 61607-01-000 FOR INSTL OF GROMMET.
- 9. VENT PIPE MUST PROJECT 51 MM MIN AND 63.5 MM MAX ABOVE ROOF FOR PROPER FIT AND FUNCTION.
- 10. SECURE VENT TUBES TO FLOOR.
- 11. TRIM P-TRAP EXTENSION TO FIT.
- 12. SECURE PIPES TO CABINET USING WIRE TIE 108046-02-000 AND SCREW G67-10-12U(8).

FOR DRAINAGE CALLOUTS SEE DWG NO. 116229-01-000

		98 F29W0
DATE	UNDESIGNED TOLERANCES ARE:	MATERIAL
DATE	FRAMES (R, R1)	
DATE	FRAMES (R, R2)	
DATE	FRAMES (R, R3)	
DATE	FRAMES (R, R4)	
DATE	FRAMES (R, R5)	
DATE	FRAMES (R, R6)	
DATE	FRAMES (R, R7)	
DATE	FRAMES (R, R8)	
DATE	FRAMES (R, R9)	
DATE	FRAMES (R, R10)	
DATE	FRAMES (R, R11)	
DATE	FRAMES (R, R12)	
DATE	FRAMES (R, R13)	
DATE	FRAMES (R, R14)	
DATE	FRAMES (R, R15)	
DATE	FRAMES (R, R16)	
DATE	FRAMES (R, R17)	
DATE	FRAMES (R, R18)	
DATE	FRAMES (R, R19)	
DATE	FRAMES (R, R20)	
DATE	FRAMES (R, R21)	
DATE	FRAMES (R, R22)	
DATE	FRAMES (R, R23)	
DATE	FRAMES (R, R24)	
DATE	FRAMES (R, R25)	
DATE	FRAMES (R, R26)	
DATE	FRAMES (R, R27)	
DATE	FRAMES (R, R28)	
DATE	FRAMES (R, R29)	
DATE	FRAMES (R, R30)	
DATE	FRAMES (R, R31)	
DATE	FRAMES (R, R32)	
DATE	FRAMES (R, R33)	
DATE	FRAMES (R, R34)	
DATE	FRAMES (R, R35)	
DATE	FRAMES (R, R36)	
DATE	FRAMES (R, R37)	
DATE	FRAMES (R, R38)	
DATE	FRAMES (R, R39)	
DATE	FRAMES (R, R40)	
DATE	FRAMES (R, R41)	
DATE	FRAMES (R, R42)	
DATE	FRAMES (R, R43)	
DATE	FRAMES (R, R44)	
DATE	FRAMES (R, R45)	
DATE	FRAMES (R, R46)	
DATE	FRAMES (R, R47)	
DATE	FRAMES (R, R48)	
DATE	FRAMES (R, R49)	
DATE	FRAMES (R, R50)	
DATE	FRAMES (R, R51)	
DATE	FRAMES (R, R52)	
DATE	FRAMES (R, R53)	
DATE	FRAMES (R, R54)	
DATE	FRAMES (R, R55)	
DATE	FRAMES (R, R56)	
DATE	FRAMES (R, R57)	
DATE	FRAMES (R, R58)	
DATE	FRAMES (R, R59)	
DATE	FRAMES (R, R60)	
DATE	FRAMES (R, R61)	
DATE	FRAMES (R, R62)	
DATE	FRAMES (R, R63)	
DATE	FRAMES (R, R64)	
DATE	FRAMES (R, R65)	
DATE	FRAMES (R, R66)	
DATE	FRAMES (R, R67)	
DATE	FRAMES (R, R68)	
DATE	FRAMES (R, R69)	
DATE	FRAMES (R, R70)	
DATE	FRAMES (R, R71)	
DATE	FRAMES (R, R72)	
DATE	FRAMES (R, R73)	
DATE	FRAMES (R, R74)	
DATE	FRAMES (R, R75)	
DATE	FRAMES (R, R76)	
DATE	FRAMES (R, R77)	
DATE	FRAMES (R, R78)	
DATE	FRAMES (R, R79)	
DATE	FRAMES (R, R80)	
DATE	FRAMES (R, R81)	
DATE	FRAMES (R, R82)	
DATE	FRAMES (R, R83)	
DATE	FRAMES (R, R84)	
DATE	FRAMES (R, R85)	
DATE	FRAMES (R, R86)	
DATE	FRAMES (R, R87)	
DATE	FRAMES (R, R88)	
DATE	FRAMES (R, R89)	
DATE	FRAMES (R, R90)	
DATE	FRAMES (R, R91)	
DATE	FRAMES (R, R92)	
DATE	FRAMES (R, R93)	
DATE	FRAMES (R, R94)	
DATE	FRAMES (R, R95)	
DATE	FRAMES (R, R96)	
DATE	FRAMES (R, R97)	
DATE	FRAMES (R, R98)	
DATE	FRAMES (R, R99)	
DATE	FRAMES (R, R100)	



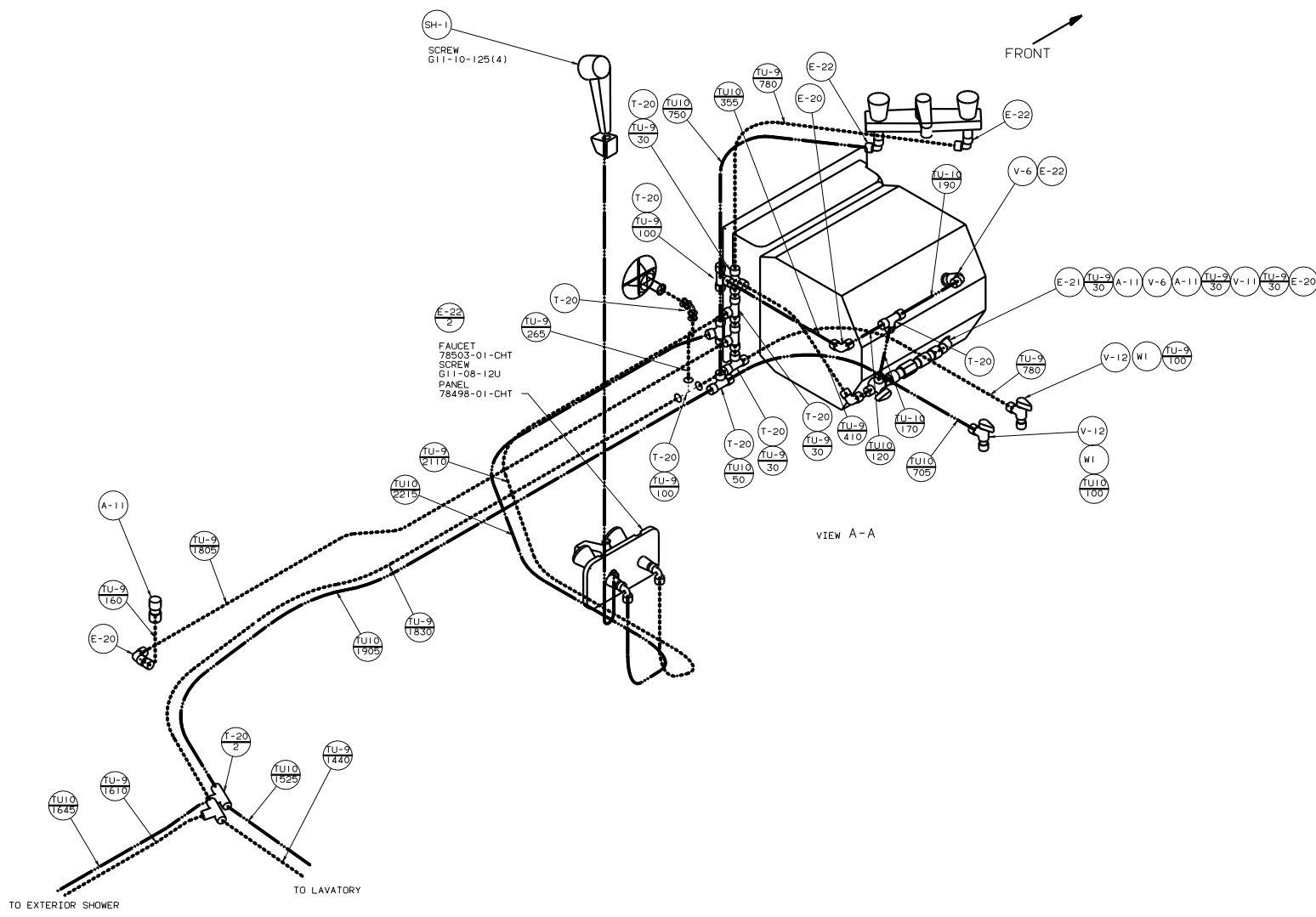
- NOTES:
1. TUBING TO BE INSTALLED WITH SUFFICIENT SLOPE TO PROVIDE DRAINAGE TO NEAREST VALVE.
 2. PLASTIC FITTINGS TO BE SEALED WITH SEALANT 84456-01-000.
 3. ALL TUBING TO BE SECURED AT 1219 MAXIMUM SPACING WITH CLAMP 10495-01-000 AND SCREW G67-10-12B.
 4. PRESSURE VALVE MUST BE BETWEEN THE WATER HEATER AND CHECK VALVE OR BYPASS KIT.

WATER HEATER
 51393-01-000
 DOOR
 78506-01-CHT
 EXIT
 2726-01-210
 2726-01-212(2)
 SCREW
 G39-10-1691(18)
 SEALANT

LEGEND	
HOT	-----
COLD	-----

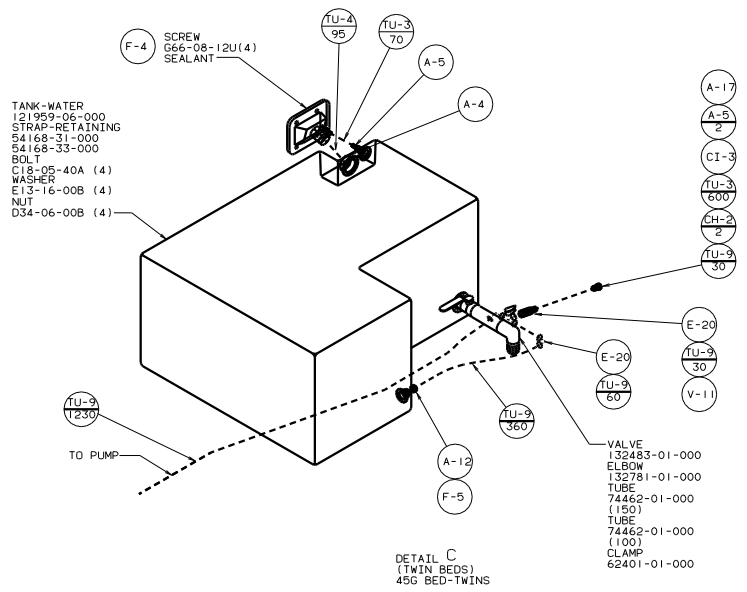
FOR CALLOUTS SEE DWG NO. 116230-01-000

DATE		PRODUCED TOLERANCES ARE:		MATERIAL:	
DWG	DATE	UNLESS SHOWN	± .7		
F.E.	DATE	TWO-PLACE (H, K, J)	± .1		
P.L.	DATE	THIRD ANGLE			
DATE	DATE	PROJECTION			
LAYER	F 29 W 0	TITLE	WATER SYSTEM INSTL		
DWG NO.	116230-01-000	REV	NO. 132666		
DATE	NOV 13 2005	SCALE	REF: 126736 F 1		
SHEET	1 OF 3	NO.	132666		

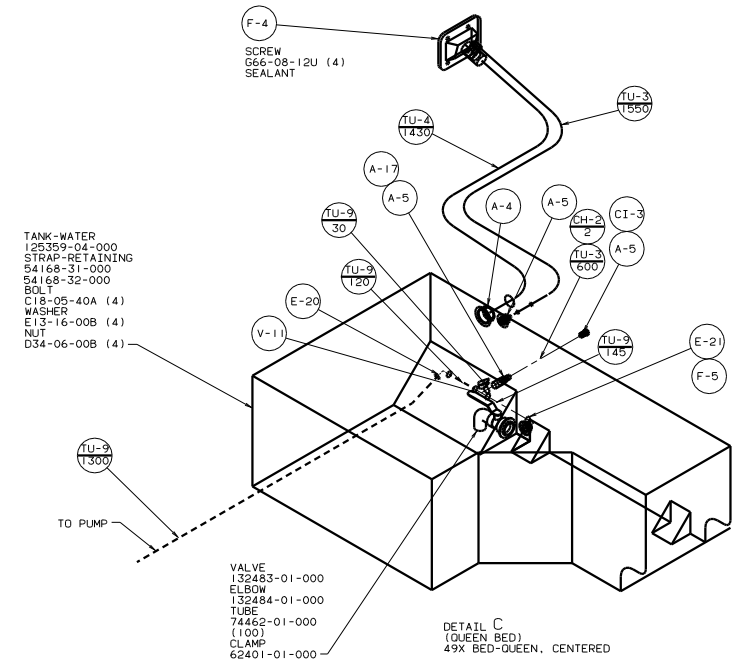


00 F29A

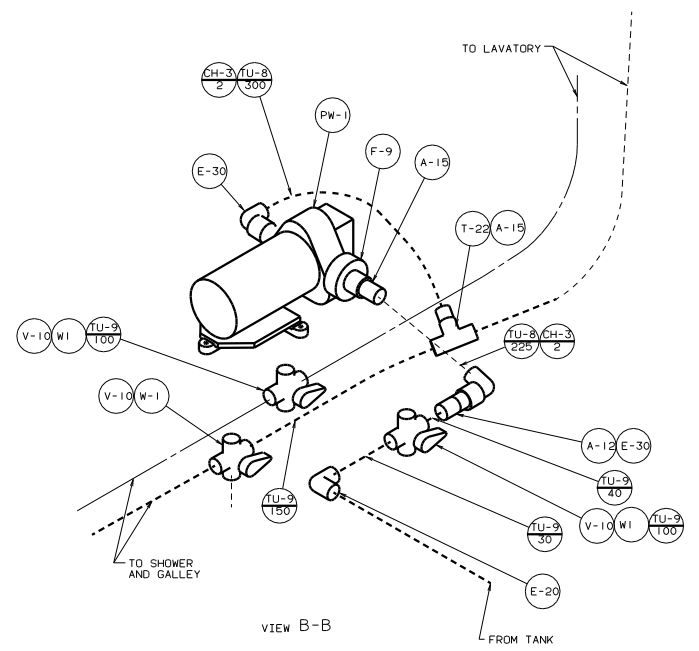
TITLE: WATER SYSTEM INSTL	
NO. OF SHEETS: 3	SHEET: 2 OF 3
DATE: 1.6	NO: 132666



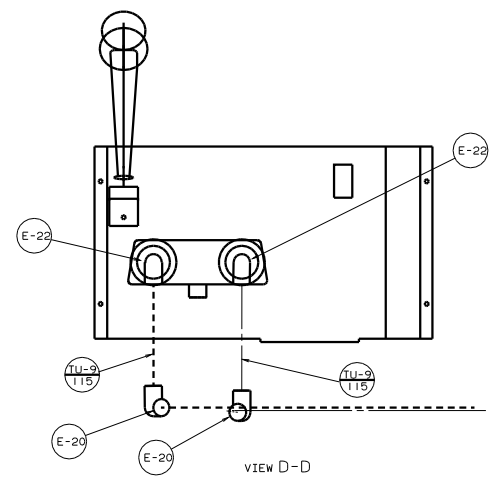
DETAIL C
(TWIN BEDS)
45G BED-TWINS



DETAIL C
(QUEEN BED)
49X BED-QUEEN, CENTERED



VIEW B-B



VIEW D-D