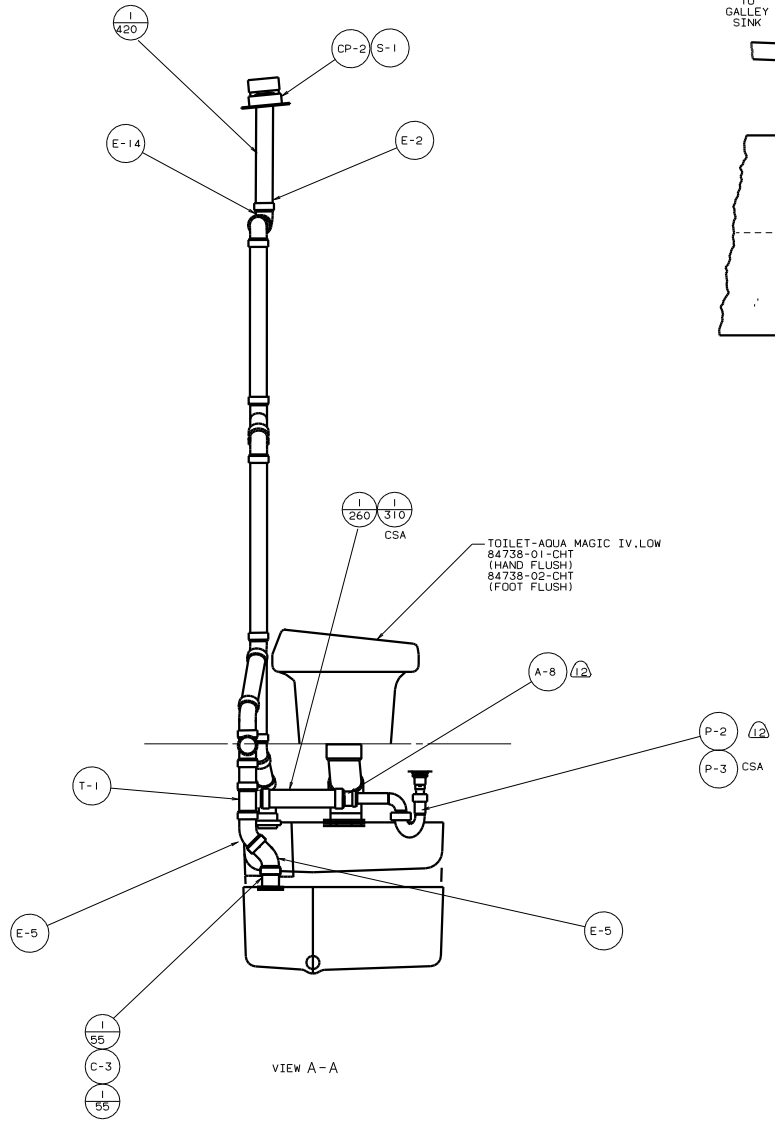
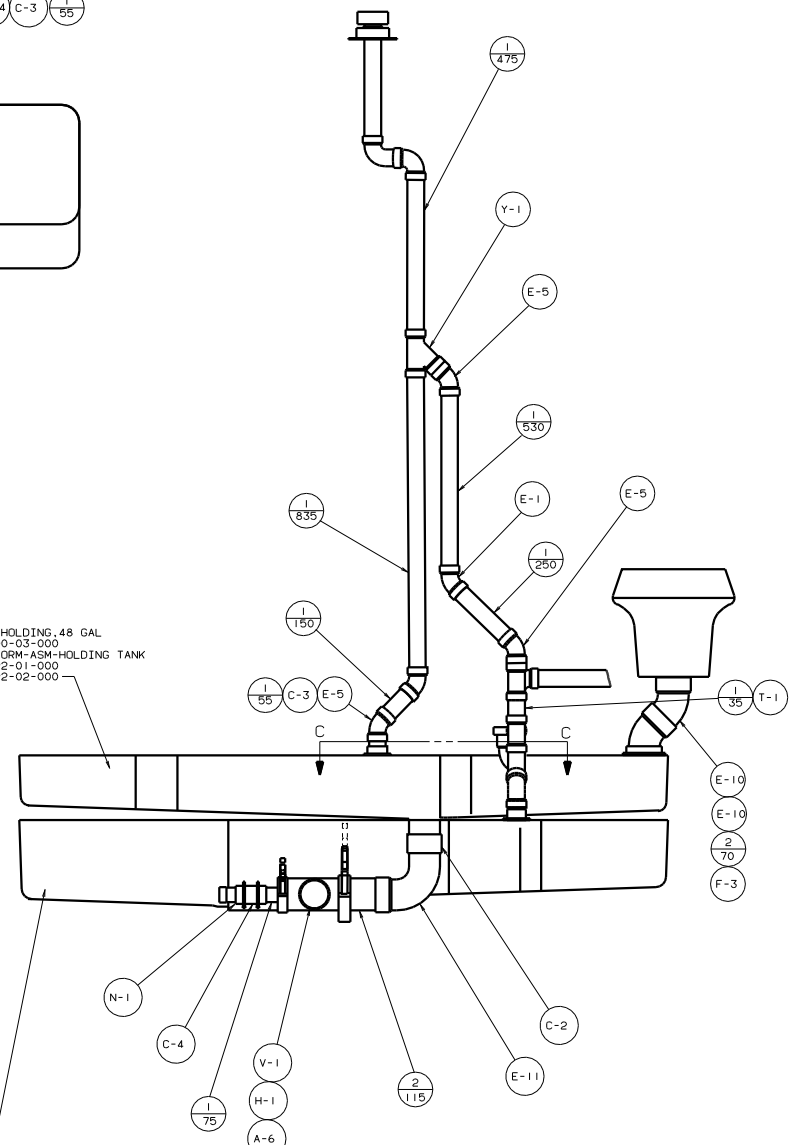


VIEW C-C



VIEW A-A

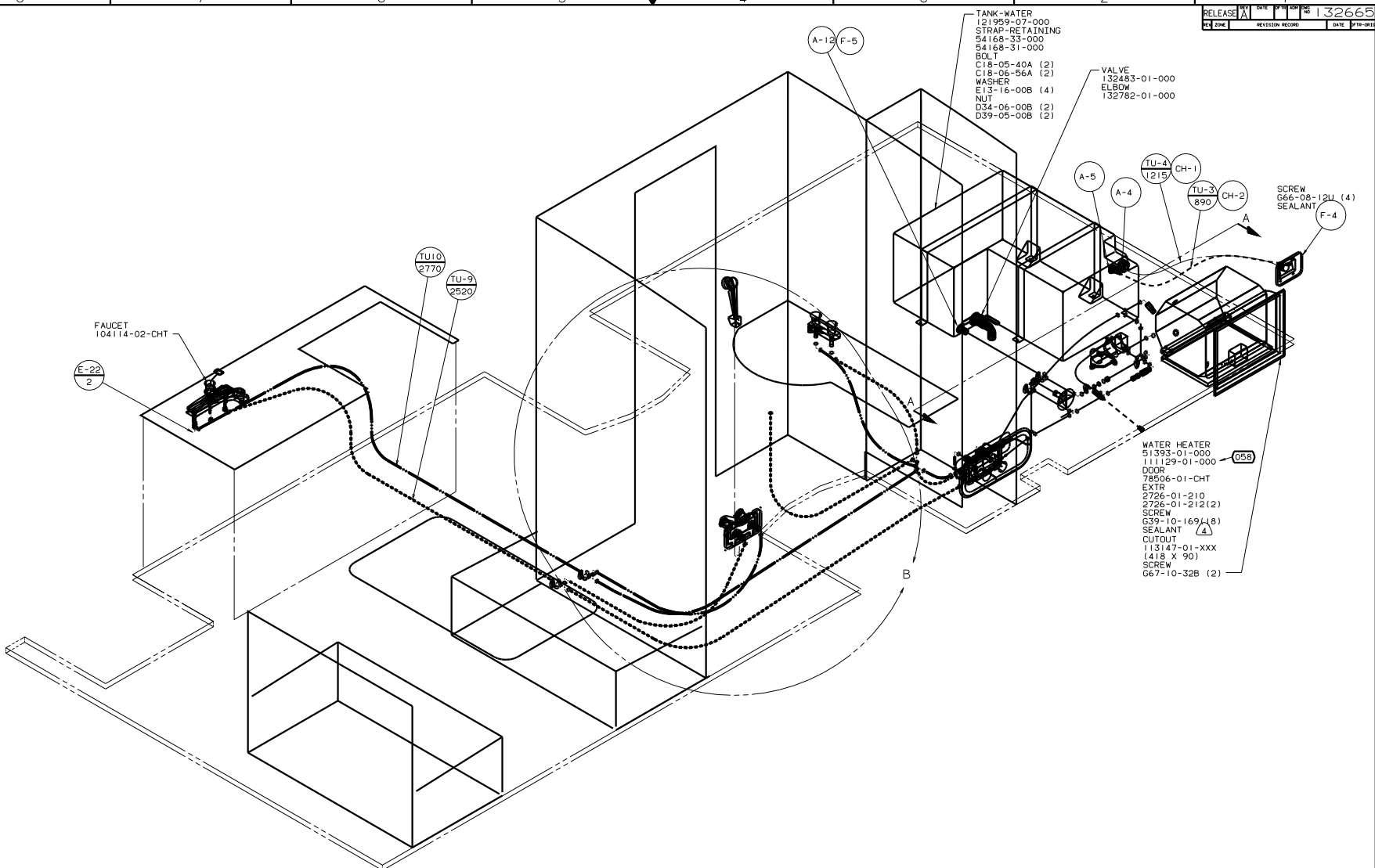
TANK-HOLDING, 48 GAL  
 121500-03-000  
 PLATFORM-ASM-HOLDING TANK  
 122992-01-000  
 122992-02-000



VIEW B-B

TANK-HOLDING, 48 GAL  
 121505-03-000  
 PLATFORM-ASM-HOLDING TANK  
 122992-03-000  
 122992-04-000

TITLE: DRAINAGE SYSTEM INSTL		98 F26WU	
NO. OF SHEETS	SHEET 2 OF 2	DATE	127759



- 45B** BED-TWINS
- 44X** BED-QUEEN-SIDEWALL
- 05B** EUROPEAN EXPORT PREP-PARTIAL

X-X FOR WATER CALLOUTS SEE DWG NO. 116230-01-000

- NOTES:**
1. PLASTIC FITTINGS TO BE SEALED WITH SEALANT 84456-01-000.
  2. TUBING TO BE SECURED WITH SUFFICIENT SLOPE TO PROVIDE DRAINAGE TO NEAREST VALVE.
  3. ALL TUBING TO BE SECURED AT 1200 INTERVALS MAXIMUM WITH CLAMP 10495-01-000 OR CLIP 91951-01-000 AND SCREW G67-10-12B.
- (A) ADD TEFLON TAPE 10405-03-000 TO FITTING.  
 (B) ADD TEFLON TAPE 10405-02-000 TO FITTING.  
 (C) LOCATE CUTOUT TO SUPPORT WATER HEATER.

LEGEND	
HOT	-----
COLD	-----

		00 F26P																	
		<table border="1"> <tr> <th>DATE</th> <th>DESCRIPTION</th> <th>BY</th> <th>CHKD</th> </tr> <tr> <td> </td> <td> </td> <td> </td> <td> </td> </tr> </table>		DATE	DESCRIPTION	BY	CHKD												
DATE	DESCRIPTION	BY	CHKD																
<table border="1"> <tr> <th>DATE</th> <th>DESCRIPTION</th> <th>BY</th> <th>CHKD</th> </tr> <tr> <td> </td> <td> </td> <td> </td> <td> </td> </tr> </table>		DATE	DESCRIPTION	BY	CHKD					<table border="1"> <tr> <th>DATE</th> <th>DESCRIPTION</th> <th>BY</th> <th>CHKD</th> </tr> <tr> <td> </td> <td> </td> <td> </td> <td> </td> </tr> </table>		DATE	DESCRIPTION	BY	CHKD				
DATE	DESCRIPTION	BY	CHKD																
DATE	DESCRIPTION	BY	CHKD																

LAYOUT NO. F26P TITLE: WATER SYSTEM INSTL  
 DIA # SCALE: NONE 2000 SCALE: 1:1 SHEET 1 OF 3  
 ALL DIMENSIONS ARE IN MILLIMETERS

REF: 127954 K 132665



- TANK-WATER  
121959-08-000
- STRAP-RETAINING  
54168-33-000
- BOLT  
C18-05-40A (2)
- WASHER  
E13-16-00B (4)
- NUT  
D34-06-00B (2)
- ELBOW  
132484-01-000

- F-4
- LOCK ASM  
110506-02-000
- SCREW  
G66-08-12U (4)
- SEALANT

- TU-2  
360
- CH-1
- E-11
- TU-3  
400
- CH-2
- A-5

- TU-9  
645
- E-20
- A-12
- F-5
- TU-9  
1030
- E-20

- TU-9  
990
- E-20

- TU-9  
30

- VALVE  
132483-01-000
- ELBOW  
132484-01-000

45G BED-TWINS

