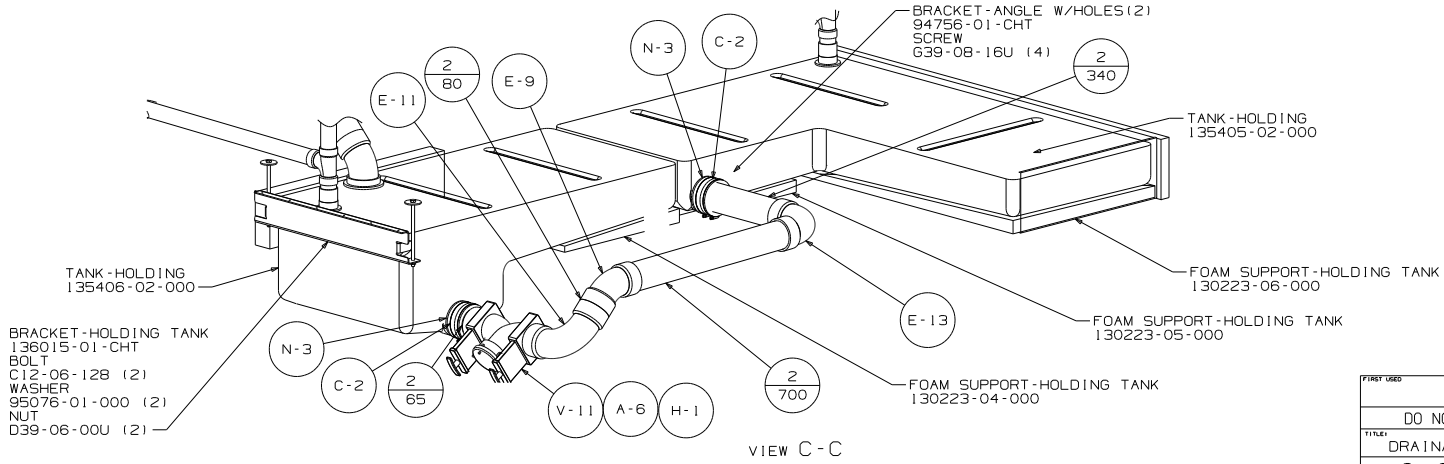
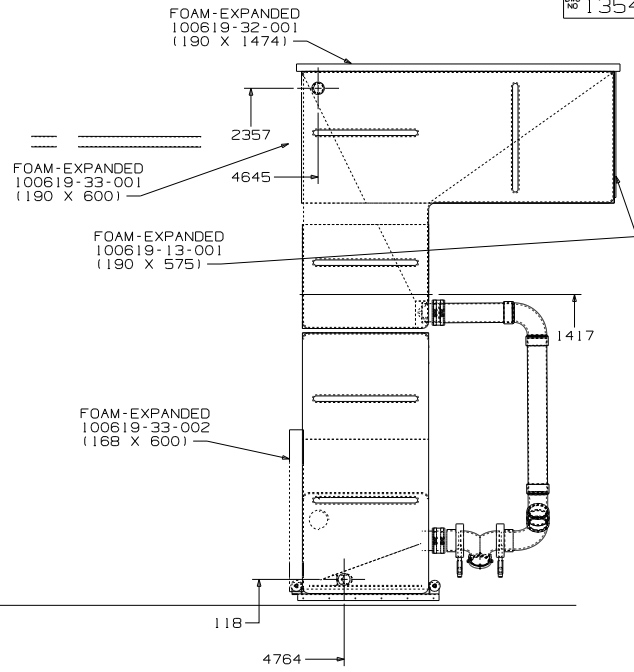
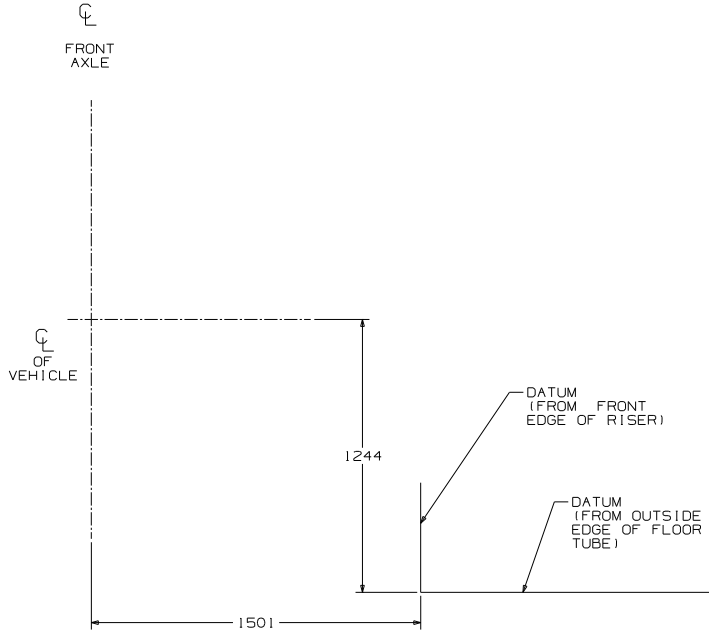


- 1. TRIM P-TRAP EXTENSION TO FIT.
- 10. SECURE VENT TUBES TO FLOOR WITH BRACKET 95061-01-000 (2), CLAMP 62401-02-000 AND SCREW G67-10-12B (2).
- 9. VENT PIPE MUST PROJECT 51 MM MIN AND 64 MM MAX ABOVE ROOF FOR PROPER FIT AND FUNCTION.
- 8. SEE DRAWING 61607-01-000 FOR INSTL OF GROMMETS.
- 7. SEAL ALL AROUND SHOWER WITH SILICONE.
- 6. FOR CANADIAN UNITS EACH HOLDING TANK SHALL HAVE A CSA APPROVAL STAMPED NEAR THE IAMPO APPROVAL.
- 5. SECURE PIPES TO CABINET USING WIRE TIE 108046-02-000 AND SCREW G67-10-12B (8).
- 4. ALL EXTERIOR OPENINGS AROUND PIPE TO BE SEALED WITH 110744-01-000.
- 3. ALL PIPE AND FITTINGS TO BE ASSEMBLED WITH SOLVENT 4020-01-000.
- 2. SLOPE OF TRAP ARM MUST BE 6 PER 305.
- 1. SLOPE OF HORIZONTAL PIPING TO BE 6 PER 305 MIN.

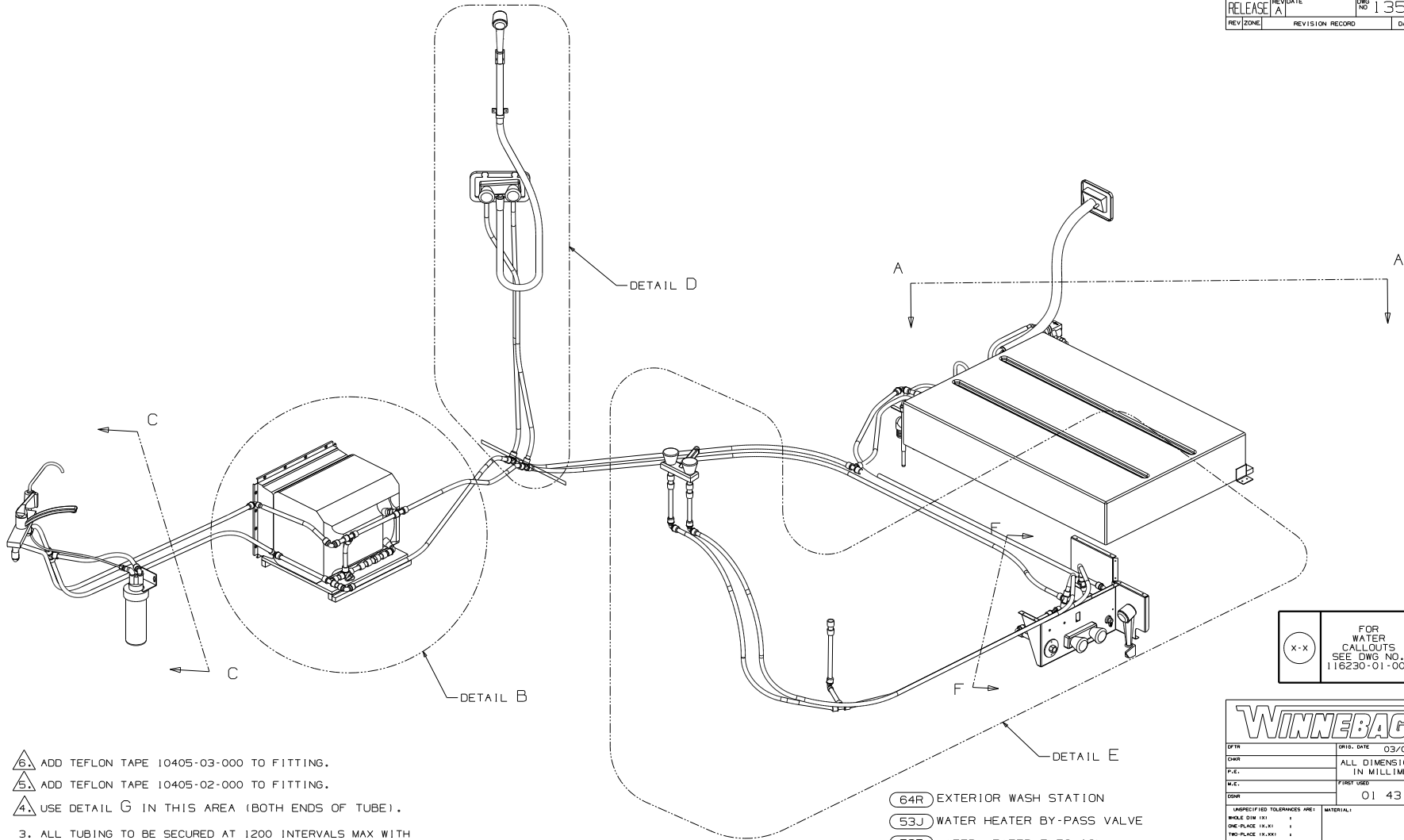
265 CODES/STDS-CSA/CMVSS
1B1 CODES/STANDARDS-USA

WINNEBAGO	
DTR	ORIG. DATE 02/22/00
CHR	ALL DIMENSIONS ARE IN MILLIMETERS
P.E.	FIRST USED
DTR	01 431C
UNSPECIFIED TOLERANCES ARE:	MATERIAL
HOLES DIA (X)	3
ONE-PLACE (X, X1)	+
TWO-PLACE (X, X1)	+
ANGLE	+
THIRD ANGLE PROJECTION	
DO NOT SCALE DRAWING	
TITLE: DRAINAGE SYSTEM INSTL	
SHEET 1 of 3	PART NO 135482

FOR DRAINAGE CALLOUTS SEE DWG NO 116229-01-000



FIRST USED	01 431C
DO NOT SCALE DRAWING	
TITLE: DRAINAGE SYSTEM INSTL	
SHEET 3	PART NO 135482



- 6. ADD TEFLON TAPE 10405-03-000 TO FITTING.
 - 5. ADD TEFLON TAPE 10405-02-000 TO FITTING.
 - 4. USE DETAIL G IN THIS AREA (BOTH ENDS OF TUBE).
3. ALL TUBING TO BE SECURED AT 1200 INTERVALS MAX WITH CLAMP 10495-01-000 OR CLIP 91951-01-000 AND SCREW G67-10-12B.
2. TUBING TO BE INSTALLED WITH SUFFICIENT SLOPE TO PROVIDE DRAINAGE TO NEAREST VALVE.
1. PLASTIC FITTINGS TO BE SEALED WITH SEALANT 84456-01-000.

- 64R EXTERIOR WASH STATION
- 53J WATER HEATER BY-PASS VALVE
- 53F WATER HEATER-ELEC IGN
- 53D WATER HEATER-6 GAL/ELEC/LP/MTR AID
- 501 WATER PURIFIER-W/O
- 298 WATER PURIFIER

X-X
FOR WATER CALLOUTS SEE DWG NO. 116230-01-000

WINNEBAGO

DTR	ORIG. DATE	03/02/00
CHR	ALL DIMENSIONS ARE IN MILLIMETERS	
P.E.		
W.E.	FIRST USED	
DWR	01 431C	

UNSPECIFIED TOLERANCES ARE:
 HOLE DIA (+.01) MATERIAL:
 ONE-PLACE (+.01) +
 TWO-PLACE (+.001) +
 ANGLE +

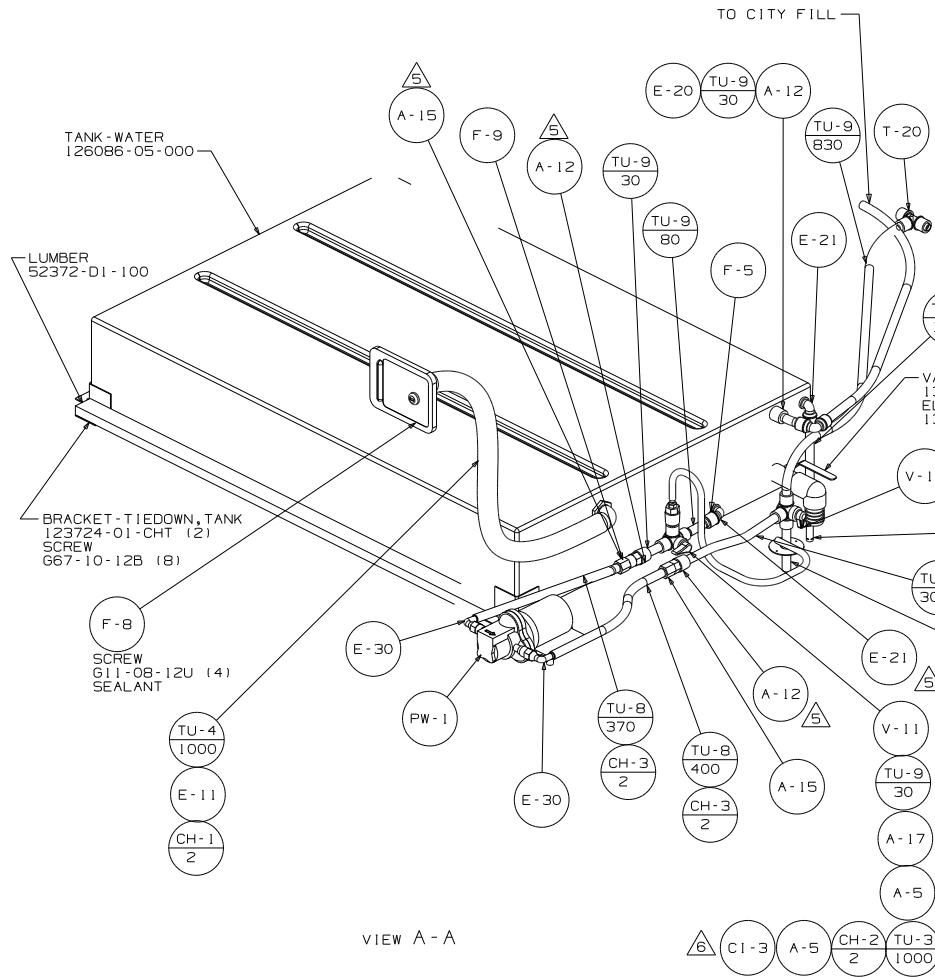
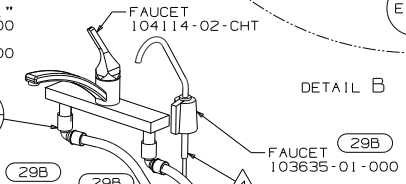
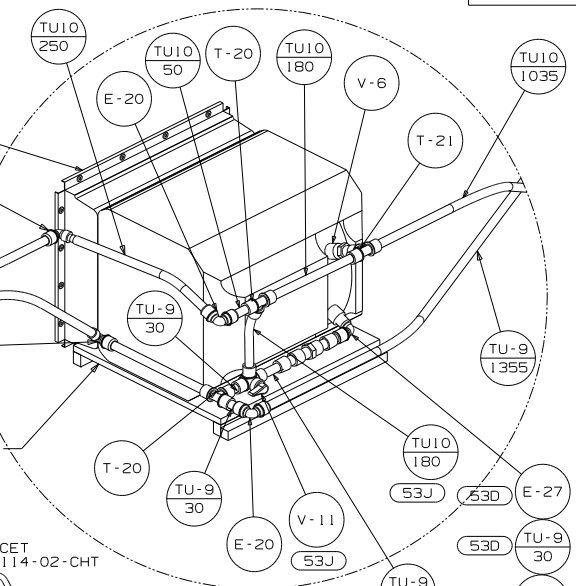
THIRD ANGLE PROJECTION

DO NOT SCALE DRAWING

TITLE: WATER SYSTEM INSTL

SHEET 1 of 3 PART NO 135570

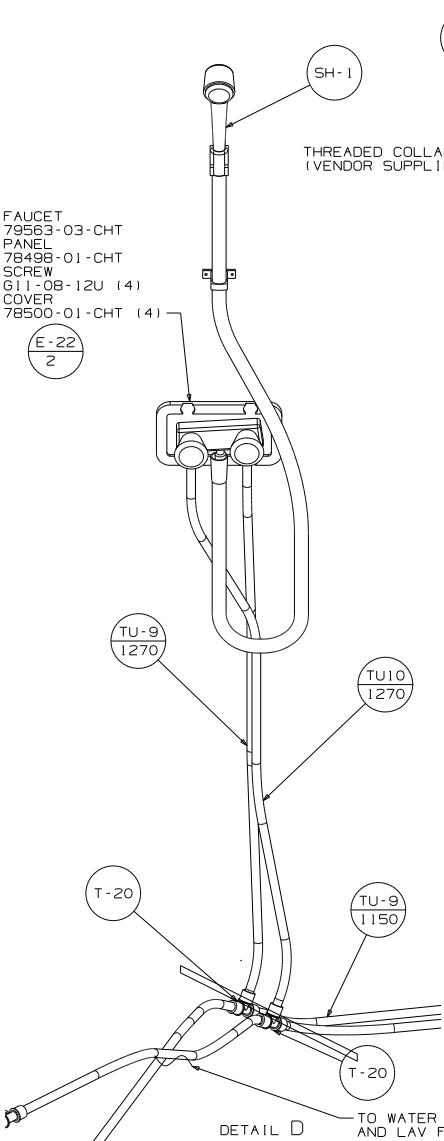
- 53F WATER HEATER
51391-03-000
- 53D 51391-07-000
AL EXTR
2726-01-210
2726-01-212 (2)
SCREW
639-10-169 (18)
SEALANT



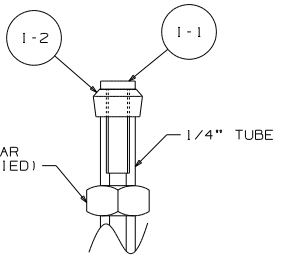
- FILTER 87200-01-000 (29B)
- CARTRIDGE 87200-02-000 (29B)
- SCREW 667-10-12U (2) (29B)

PART USES		01 431C	
DO NOT SCALE DRAWING			
TITLE: WATER SYSTEM INSLT			
SHEET 2	3	PART NO	135570

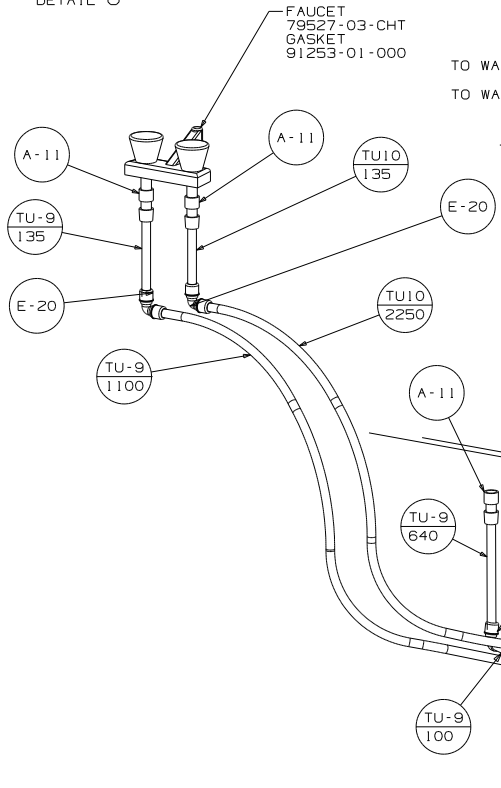
FAUCET
79563-03-CHT
PANEL
78498-01-CHT
SCREW
G11-08-12U (4)
COVER
78500-01-CHT (4)



DETAIL D TO WATER HEATER, AND LAV FAUCET



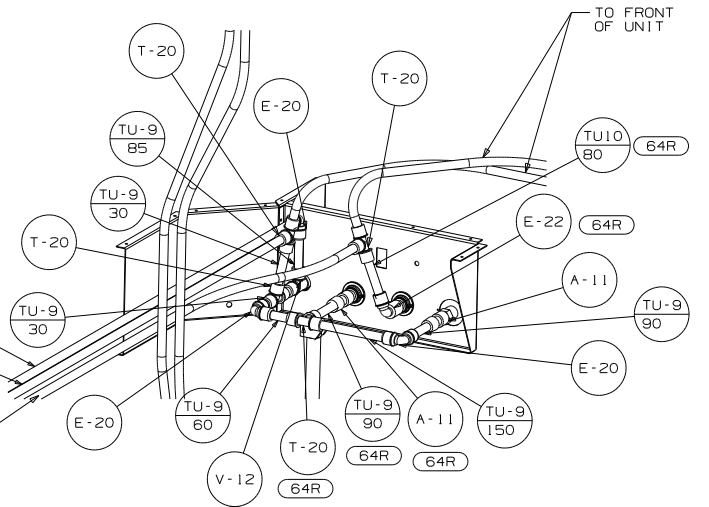
DETAIL G



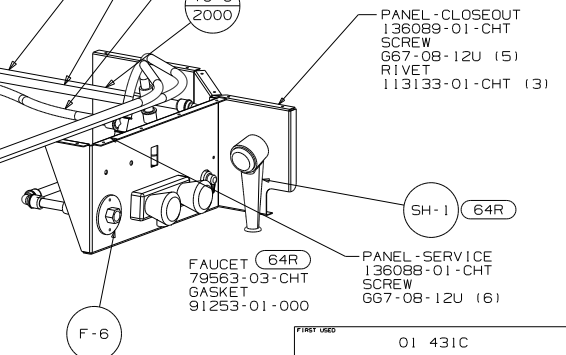
DETAIL E

TO WATER TANK
TO WATER PUMP
TO SHOWER

TO WATER TANK
TO WATER PUMP (SHOWER)
TO SHOWER



VIEW F-F



PART USED	01 431C
DO NOT SCALE DRAWING	
TITLE	WATER SYSTEM INSTL
SHEET 3	PART NO 135570