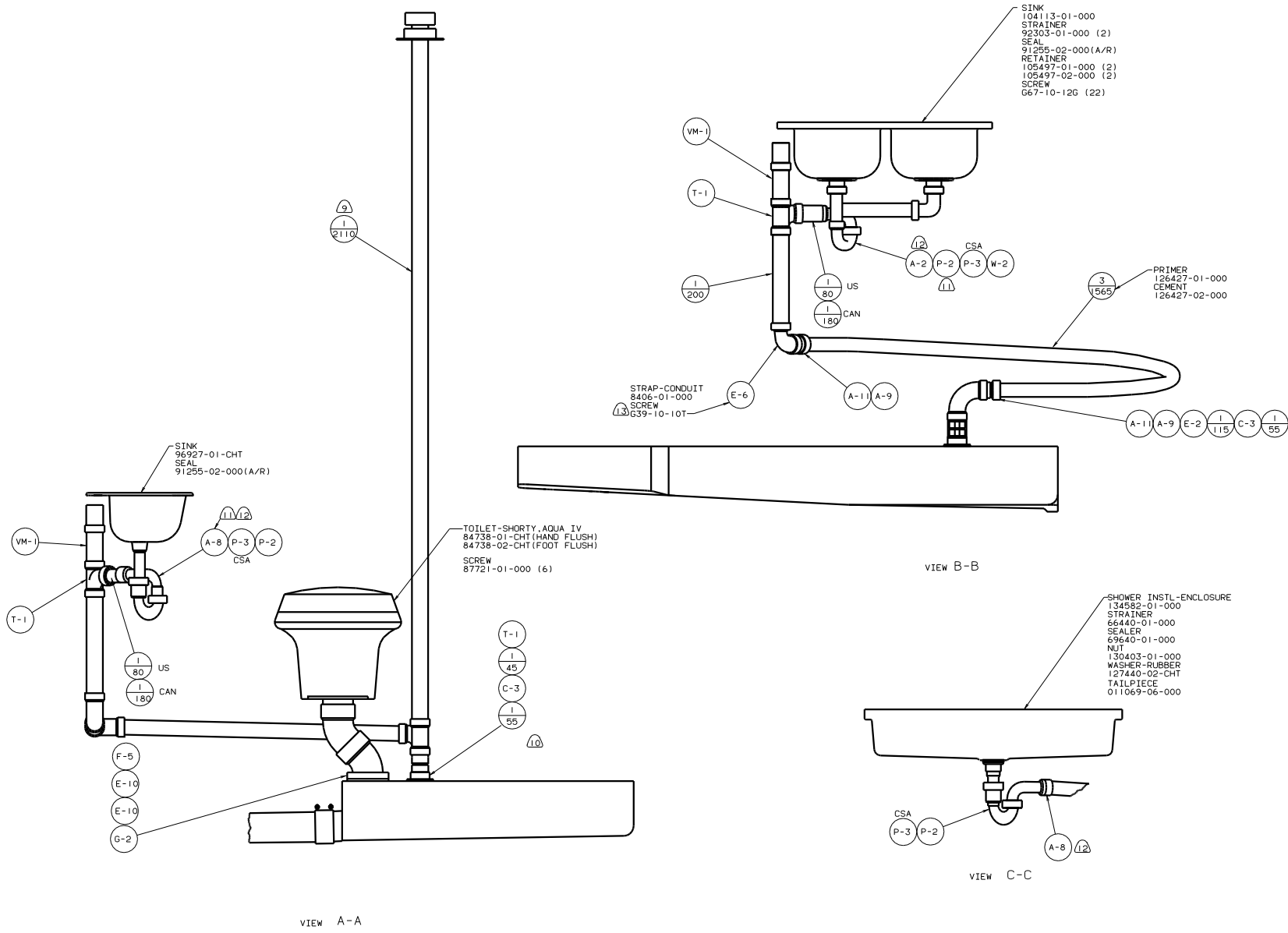


- ④ SECURE PIPES TO CABINET USING WIRE TIE 108046-02-000 AND SCREW C67-10-12B(8).
 - ④ CLAMP TO CABINET (2 PLACES)..
 - ② NOT USED ON CANADIAN UNITS.
 - ① TRIM P-TRAP EXTENSION TO FIT.
 - ⑩ SECURE VENT TUBES TO FLOOR WITH BRACKET 95061-01-000(2), CLAMP 62401-02-000, SCREW G67-10-12B(2).
 - ⑨ VENT PIPE MUST PROJECT 51 MM MIN AND 63.5 MM MAX ABOVE ROOF FOR PROPER FIT AND FUNCTION.
8. SEE DWG 61607-01-000 FOR INSTL OF GROMMETS.
 7. SEAL ALL AROUND SHOWER WITH SILICONE.
 6. FOR CAN UNITS EACH HOLDING TANK SHALL HAVE A CSA APPROVAL STAMPED NEAR THE IAMPO APPROVAL.
 5. EXPOSED PIPE ABOVE ROOF TO BE PAINTED 37163-01-000.
 4. ALL EXTERIOR OPENINGS AROUND PIPE TO BE SEALED WITH 110744-01-000.
 3. ALL PIPE AND FITTINGS TO BE ASSEMBLED WITH SOLVENT 4020-01-000.
 2. SLOPE OF TRAP ARM MUST BE 6 PER 305.
 1. SLOPE OF HORIZONTAL PIPING TO BE 6 PER 305 MIN.

FOR DRAINAGE CALLOUTS SEE DWG NO. 116229-01-000

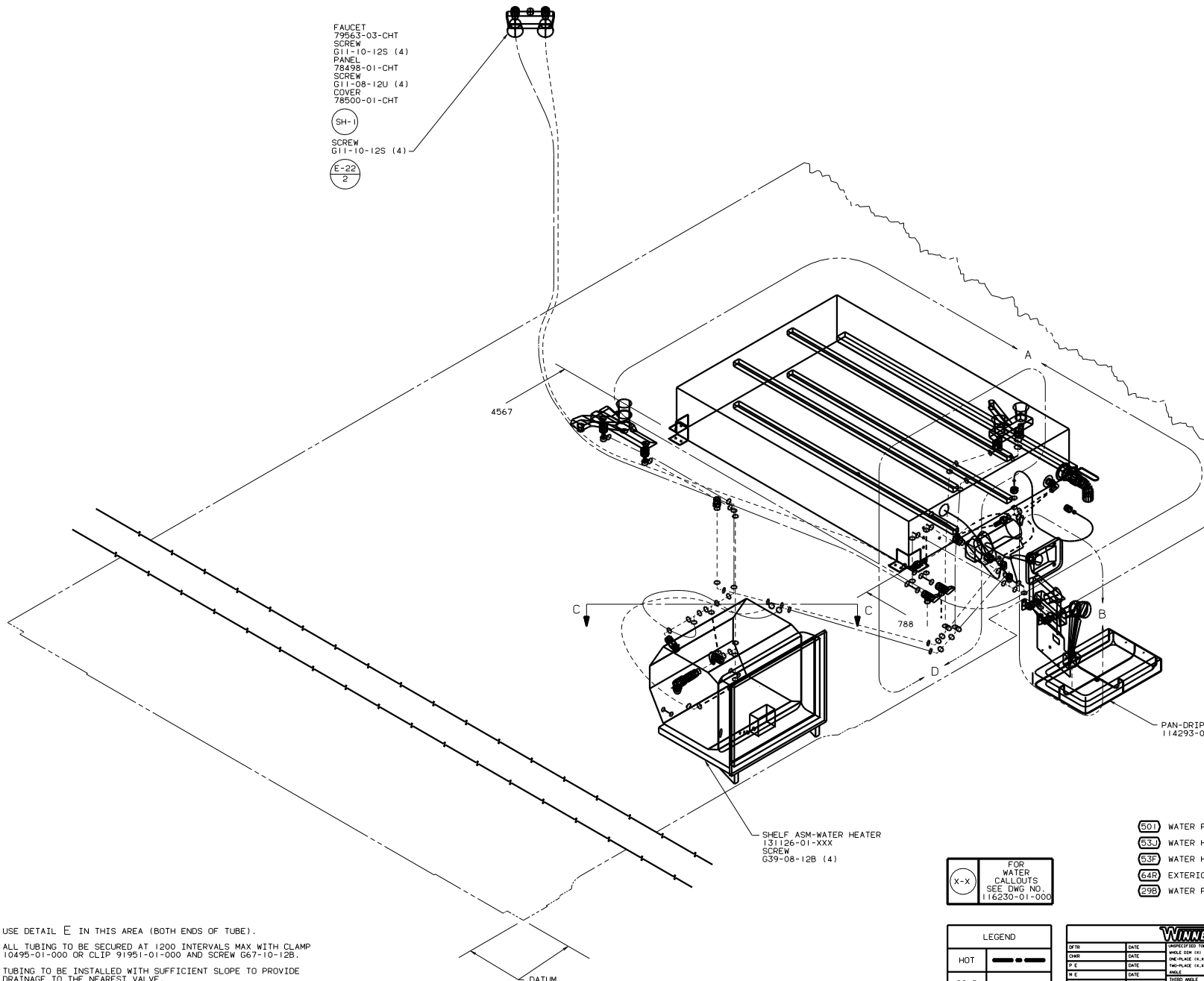
		00 430V
OF IN	DATE	UNSPECIFIED TOLERANCES ARE:
CHP	DATE	WHOLE DIM (IN) ± .5
PIE	DATE	ONE-PLACE (IN.XI) ± .1
PIE	DATE	TWO-PLACE (IN.XXX) ± .05
PIE	DATE	THREE-PLACE (IN.XXX) ± .01
PIE	DATE	FOUR-PLACE (IN.XXXX) ± .005
PIE	DATE	FIVE-PLACE (IN.XXXX) ± .002
PIE	DATE	SIX-PLACE (IN.XXXX) ± .001
PIE	DATE	SEVEN-PLACE (IN.XXXX) ± .0005
PIE	DATE	EIGHT-PLACE (IN.XXXX) ± .0002
PIE	DATE	NINE-PLACE (IN.XXXX) ± .0001
PIE	DATE	TEN-PLACE (IN.XXXX) ± .00005
PIE	DATE	ELEVEN-PLACE (IN.XXXX) ± .00002
PIE	DATE	TWELVE-PLACE (IN.XXXX) ± .00001
PIE	DATE	THIRTEEN-PLACE (IN.XXXX) ± .000005
PIE	DATE	FOURTEEN-PLACE (IN.XXXX) ± .000002
PIE	DATE	FIFTEEN-PLACE (IN.XXXX) ± .000001
PIE	DATE	SIXTEEN-PLACE (IN.XXXX) ± .0000005
PIE	DATE	SEVENTEEN-PLACE (IN.XXXX) ± .0000002
PIE	DATE	EIGHTEEN-PLACE (IN.XXXX) ± .0000001
PIE	DATE	NINETEEN-PLACE (IN.XXXX) ± .00000005
PIE	DATE	TWENTY-PLACE (IN.XXXX) ± .00000002
PIE	DATE	TWENTY-ONE-PLACE (IN.XXXX) ± .00000001
PIE	DATE	TWENTY-TWO-PLACE (IN.XXXX) ± .000000005
PIE	DATE	TWENTY-THREE-PLACE (IN.XXXX) ± .000000002
PIE	DATE	TWENTY-FOUR-PLACE (IN.XXXX) ± .000000001
PIE	DATE	TWENTY-FIVE-PLACE (IN.XXXX) ± .0000000005
PIE	DATE	TWENTY-SIX-PLACE (IN.XXXX) ± .0000000002
PIE	DATE	TWENTY-SEVEN-PLACE (IN.XXXX) ± .0000000001
PIE	DATE	TWENTY-EIGHT-PLACE (IN.XXXX) ± .00000000005
PIE	DATE	TWENTY-NINE-PLACE (IN.XXXX) ± .00000000002
PIE	DATE	THIRTY-PLACE (IN.XXXX) ± .00000000001
PIE	DATE	THIRTY-ONE-PLACE (IN.XXXX) ± .000000000005
PIE	DATE	THIRTY-TWO-PLACE (IN.XXXX) ± .000000000002
PIE	DATE	THIRTY-THREE-PLACE (IN.XXXX) ± .000000000001
PIE	DATE	THIRTY-FOUR-PLACE (IN.XXXX) ± .0000000000005
PIE	DATE	THIRTY-FIVE-PLACE (IN.XXXX) ± .0000000000002
PIE	DATE	THIRTY-SIX-PLACE (IN.XXXX) ± .0000000000001
PIE	DATE	THIRTY-SEVEN-PLACE (IN.XXXX) ± .00000000000005
PIE	DATE	THIRTY-EIGHT-PLACE (IN.XXXX) ± .00000000000002
PIE	DATE	THIRTY-NINE-PLACE (IN.XXXX) ± .00000000000001
PIE	DATE	FOURTY-PLACE (IN.XXXX) ± .000000000000005
PIE	DATE	FOURTY-ONE-PLACE (IN.XXXX) ± .000000000000002
PIE	DATE	FOURTY-TWO-PLACE (IN.XXXX) ± .000000000000001
PIE	DATE	FOURTY-THREE-PLACE (IN.XXXX) ± .0000000000000005
PIE	DATE	FOURTY-FOUR-PLACE (IN.XXXX) ± .0000000000000002
PIE	DATE	FOURTY-FIVE-PLACE (IN.XXXX) ± .0000000000000001
PIE	DATE	FOURTY-SIX-PLACE (IN.XXXX) ± .00000000000000005
PIE	DATE	FOURTY-SEVEN-PLACE (IN.XXXX) ± .00000000000000002
PIE	DATE	FOURTY-EIGHT-PLACE (IN.XXXX) ± .00000000000000001
PIE	DATE	FOURTY-NINE-PLACE (IN.XXXX) ± .000000000000000005
PIE	DATE	FIFTY-PLACE (IN.XXXX) ± .000000000000000002
PIE	DATE	FIFTY-ONE-PLACE (IN.XXXX) ± .000000000000000001
PIE	DATE	FIFTY-TWO-PLACE (IN.XXXX) ± .0000000000000000005
PIE	DATE	FIFTY-THREE-PLACE (IN.XXXX) ± .0000000000000000002
PIE	DATE	FIFTY-FOUR-PLACE (IN.XXXX) ± .0000000000000000001
PIE	DATE	FIFTY-FIVE-PLACE (IN.XXXX) ± .00000000000000000005
PIE	DATE	FIFTY-SIX-PLACE (IN.XXXX) ± .00000000000000000002
PIE	DATE	FIFTY-SEVEN-PLACE (IN.XXXX) ± .00000000000000000001
PIE	DATE	FIFTY-EIGHT-PLACE (IN.XXXX) ± .000000000000000000005
PIE	DATE	FIFTY-NINE-PLACE (IN.XXXX) ± .000000000000000000002
PIE	DATE	SIXTY-PLACE (IN.XXXX) ± .000000000000000000001
PIE	DATE	SIXTY-ONE-PLACE (IN.XXXX) ± .0000000000000000000005
PIE	DATE	SIXTY-TWO-PLACE (IN.XXXX) ± .0000000000000000000002
PIE	DATE	SIXTY-THREE-PLACE (IN.XXXX) ± .0000000000000000000001
PIE	DATE	SIXTY-FOUR-PLACE (IN.XXXX) ± .00000000000000000000005
PIE	DATE	SIXTY-FIVE-PLACE (IN.XXXX) ± .00000000000000000000002
PIE	DATE	SIXTY-SIX-PLACE (IN.XXXX) ± .00000000000000000000001
PIE	DATE	SIXTY-SEVEN-PLACE (IN.XXXX) ± .000000000000000000000005
PIE	DATE	SIXTY-EIGHT-PLACE (IN.XXXX) ± .000000000000000000000002
PIE	DATE	SIXTY-NINE-PLACE (IN.XXXX) ± .000000000000000000000001
PIE	DATE	SEVENTY-PLACE (IN.XXXX) ± .0000000000000000000000005
PIE	DATE	SEVENTY-ONE-PLACE (IN.XXXX) ± .0000000000000000000000002
PIE	DATE	SEVENTY-TWO-PLACE (IN.XXXX) ± .0000000000000000000000001
PIE	DATE	SEVENTY-THREE-PLACE (IN.XXXX) ± .00000000000000000000000005
PIE	DATE	SEVENTY-FOUR-PLACE (IN.XXXX) ± .00000000000000000000000002
PIE	DATE	SEVENTY-FIVE-PLACE (IN.XXXX) ± .00000000000000000000000001
PIE	DATE	SEVENTY-SIX-PLACE (IN.XXXX) ± .000000000000000000000000005
PIE	DATE	SEVENTY-SEVEN-PLACE (IN.XXXX) ± .000000000000000000000000002
PIE	DATE	SEVENTY-EIGHT-PLACE (IN.XXXX) ± .000000000000000000000000001
PIE	DATE	SEVENTY-NINE-PLACE (IN.XXXX) ± .0000000000000000000000000005
PIE	DATE	EIGHTY-PLACE (IN.XXXX) ± .0000000000000000000000000002
PIE	DATE	EIGHTY-ONE-PLACE (IN.XXXX) ± .0000000000000000000000000001
PIE	DATE	EIGHTY-TWO-PLACE (IN.XXXX) ± .00000000000000000000000000005
PIE	DATE	EIGHTY-THREE-PLACE (IN.XXXX) ± .00000000000000000000000000002
PIE	DATE	EIGHTY-FOUR-PLACE (IN.XXXX) ± .00000000000000000000000000001
PIE	DATE	EIGHTY-FIVE-PLACE (IN.XXXX) ± .000000000000000000000000000005
PIE	DATE	EIGHTY-SIX-PLACE (IN.XXXX) ± .000000000000000000000000000002
PIE	DATE	EIGHTY-SEVEN-PLACE (IN.XXXX) ± .000000000000000000000000000001
PIE	DATE	EIGHTY-EIGHT-PLACE (IN.XXXX) ± .0000000000000000000000000000005
PIE	DATE	EIGHTY-NINE-PLACE (IN.XXXX) ± .0000000000000000000000000000002
PIE	DATE	NINETY-PLACE (IN.XXXX) ± .00000000000000000000000000000005
PIE	DATE	NINETY-ONE-PLACE (IN.XXXX) ± .00000000000000000000000000000002
PIE	DATE	NINETY-TWO-PLACE (IN.XXXX) ± .00000000000000000000000000000001
PIE	DATE	NINETY-THREE-PLACE (IN.XXXX) ± .000000000000000000000000000000005
PIE	DATE	NINETY-FOUR-PLACE (IN.XXXX) ± .000000000000000000000000000000002
PIE	DATE	NINETY-FIVE-PLACE (IN.XXXX) ± .000000000000000000000000000000001
PIE	DATE	NINETY-SIX-PLACE (IN.XXXX) ± .0000000000000000000000000000000005
PIE	DATE	NINETY-SEVEN-PLACE (IN.XXXX) ± .0000000000000000000000000000000002
PIE	DATE	NINETY-EIGHT-PLACE (IN.XXXX) ± .0000000000000000000000000000000001
PIE	DATE	NINETY-NINE-PLACE (IN.XXXX) ± .00000000000000000000000000000000005
PIE	DATE	HUNDRED-PLACE (IN.XXXX) ± .00000000000000000000000000000000002



VIEW A-A

VIEW B-B

VIEW C-C



- FAUCET
79563-03-CHT
- SCREW
G11-10-12S (4)
- PANEL
78498-01-CHT
- SCREW
G11-08-12U (4)
- COVER
78500-01-CHT
- (SH-1)
- SCREW
G11-10-12S (4)
- (E-22)
2

4567

788

SHELF ASM-WATER HEATER
131126-01-XXX
SCREW
G39-08-12B (4)

PAN-DRIP EXTERIOR
114293-01-CHT

(X-X) FOR WATER CALLOUTS SEE DWG NO. 116230-01-000

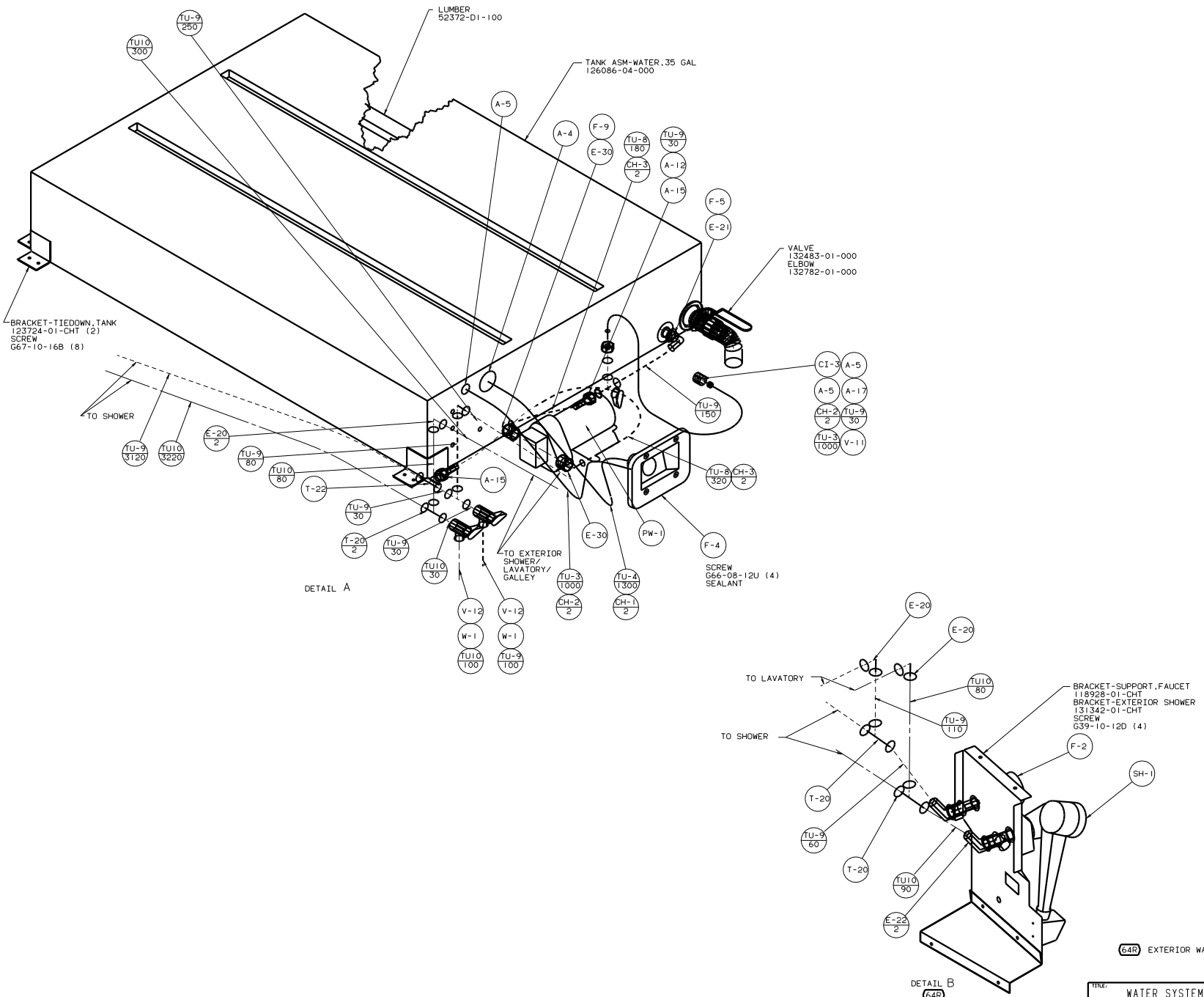
- (60) WATER PURIFIER WITHOUT
- (63J) WATER HEATER BY-PASS-VALVE
- (63F) WATER HEATER-ELEC. IGNITION
- (64R) EXTERIOR WASH STATION
- (29B) WATER PURIFIER SYSTEM

LEGEND	
HOT	●●●●●
COLD	●●●●●

OP/IN	DATE	UNDESIGNED TOLERANCES ARE:	MATERIAL
CHKP	DATE	HOLE DIM (IN)	
DFE	DATE	ONE-PLACE (IN.XI)	
D/E	DATE	TWO-PLACE (IN.XX)	
CDPR	DATE	THIRD PLACE (IN.XXX)	
INDIC. W/ANGLE PROJECTION			
LANO#	00C430V	TITLE	WATER SYSTEM INSTL
DIA #	SCALE: NONE	DO NOT SCALE DIMENSIONS	SIZE: 1/8"
ALL DIMENSIONS ARE IN MILLIMETERS	SHEET 1 OF 4	FIG NO	135277

4. USE DETAIL E IN THIS AREA (BOTH ENDS OF TUBE).
3. ALL TUBING TO BE SECURED AT 1200 INTERVALS MAX WITH CLAMP 10495-01-000 OR CLIP 91951-01-000 AND SCREW G67-10-12B.
2. TUBING TO BE INSTALLED WITH SUFFICIENT SLOPE TO PROVIDE DRAINAGE TO THE NEAREST VALVE.
1. PLASTIC FITTINGS TO BE SEALED WITH SEALANT 84456-01-000.

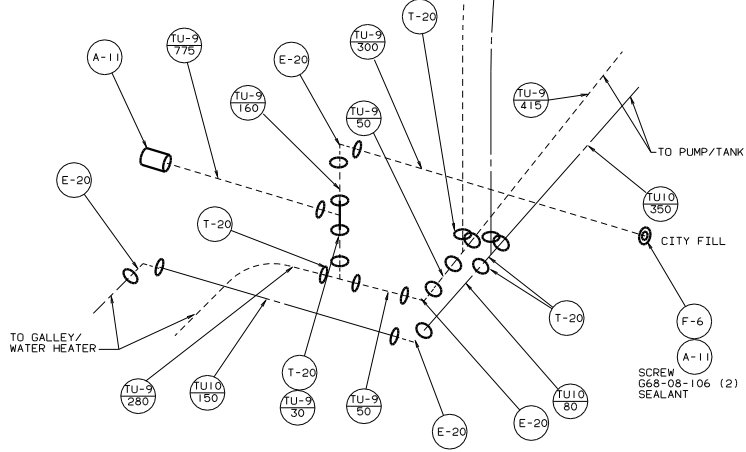
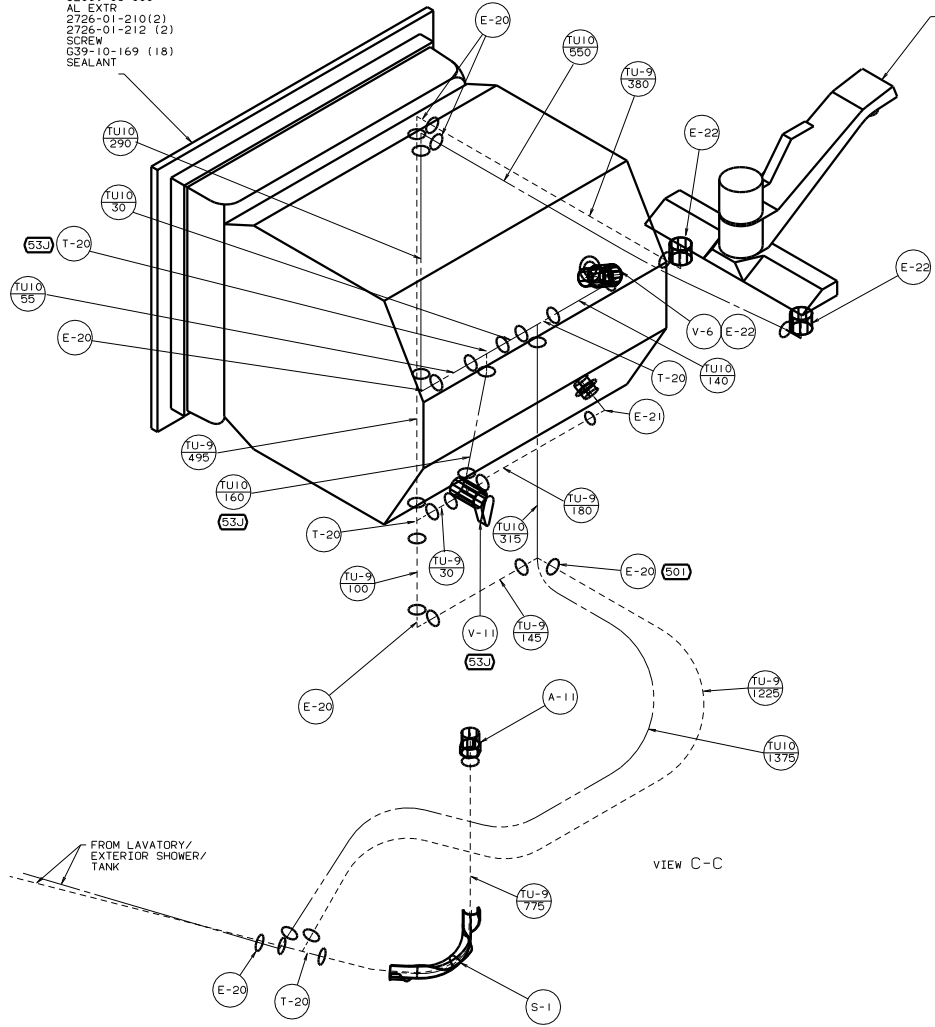
H
G
F
E
D
C
B
A



53F WATER HEATER
51391-03-000
DOOR
52009-06-000
AL EXTR
2726-01-210 (2)
2726-01-212 (2)
SCREW
G39-10-169 (18)
SEALANT

FAUCET
79527-03-CHT
GASKET
91253-01-000

FAUCET
104114-02-CHT
GASKET

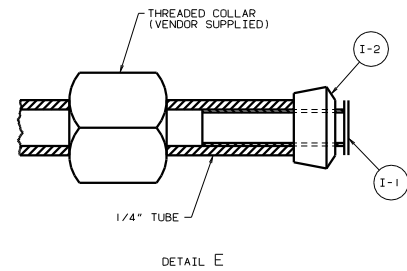
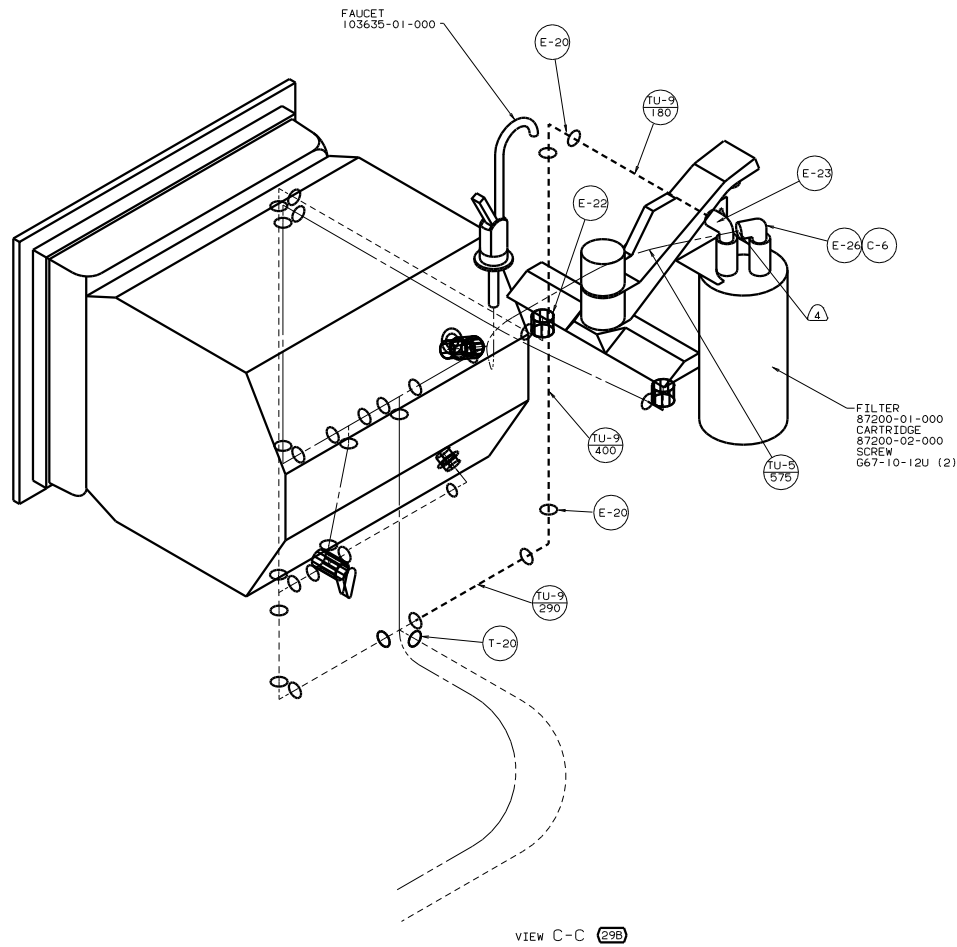


DETAIL D

FROM LAVATORY/
EXTERIOR SHOWER/
TANK

VIEW C-C

TITLE		WATER SYSTEM INSTL	
PROJECT NO.	REV	DATE	BY
135277	4		
SHEET		3 OF 4	
NO.		135277	



(29B) WATER PURIFIER SYSTEM

01 430V

TITLE		WATER SYSTEM INSTL	
PROJECT	NO.	REV	NO.
135277	4		
SHEET # OF #		135277	