

- 6. ADD TEFLON TAPE 10405-03-000 TO FITTING.
- 5. ADD TEFLON TAPE 10405-02-000 TO FITTING.
- 4. USE DETAIL E IN THIS AREA (BOTH ENDS OF TUBE).

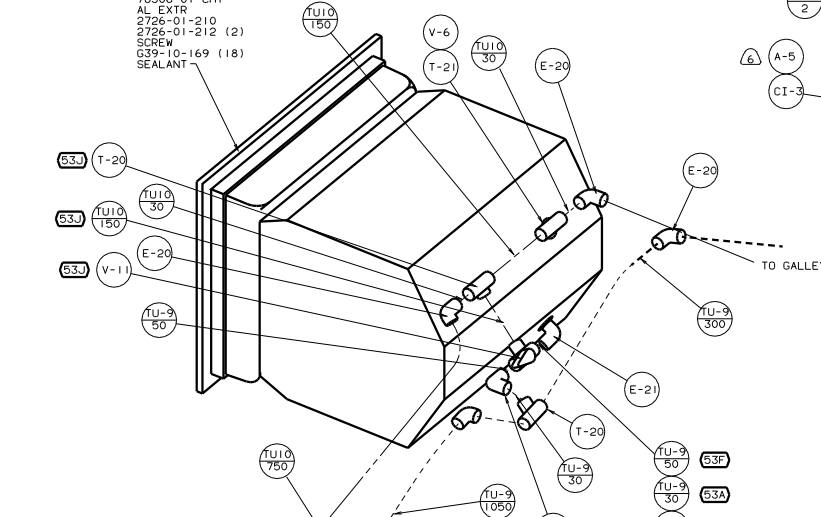
3. ALL TUBING TO BE SECURED AT 1200 INTERVALS MAX WITH CLAMP 10495-01-000 OR CLIP 91951-01-000 AND SCREW G67-10-12B.
2. TUBING TO BE INSTALLED WITH SUFFICIENT SLOPE TO PROVIDE DRAINAGE TO NEAREST VALVE.
1. PLASTIC FITTINGS TO BE SEALED WITH SEALANT 84456-01-000.

- 53J WATER HEATER BY-PASS-VALVE
- 64R EXTERIOR WASH STATION
- 53F WATER HEATER-ELEC. IGNITION
- 53A WTR HTR-6 GAL/MOTORAID
- 29B WATER PURIFIER

(X-X)	FOR WATER CALLOUTS SEE DWG NO. 116230-01-000	LEGEND HOT COLD
-------	--	-----------------------

WINNEBAGO		01 429U
OF 11	DATE	UNSPECIFIED TOLERANCES ARE:
CDP	DATE	WHOLE DIM (IN)
D/E	DATE	ONE-PLACE (IN.XX)
D/E	DATE	TWO-PLACE (IN.XXX)
D/E	DATE	MILL
CDP	DATE	THIRD-PLACE (IN.XXX)
CDP	DATE	FOURTH-PLACE (IN.XXXX)
LAYOUT NO. 429U		TITLE: WATER SYSTEM INST'L
REV #	SCALE: 0:2	30 INCH SCALE: 1:16
ALL DIMENSIONS ARE IN MILLIMETERS		SHEET 1 OF 2
REF: 133459 D I		135610

- WATER HEATER
- 51391-03-000
- 51393-01-000
- DOOR
- 78506-01-CHT
- AL EXTR
- 2726-01-210
- 2726-01-212 (2)
- SCREW
- G39-10-169 (18)
- SEALANT



- TU-9 50 53F
- TU-9 30 53A
- A-11 53A
- V-6 53A
- A-11 53A
- TU-9 30 53A

