

- (1) CADDY-SHOWER 105707-01-CHT
- (1) PANEL-REINF 102028-03-000
- (1) TAPE 76322-01-000
- (1) SCREW G11-08-12B (16)
- (1) COVER 78500-01-CHT (16)

- (1) SHOWER PAN 127586-02-CHT
- (1) SCREW G11-08-12B (16)
- (1) COVER 78500-01-CHT (16)
- (43F) SHOWER INSTL-ENCLOSURE 134582-02-000
- (1) STRAINER 66440-01-000
- (1) SEALER 69640-01-000
- (1) NUT 130403-01-000
- (1) WASHER-RUBBER 127440-02-CHT
- (1) TAILPIECE 11069-02-000

- TANK-HOLDING 34 GAL 127519-02-000
- CRADLE ASM 103227-09-000
- BOLT C18-05-40A (4)
- NUT D39-05-00B (4)
- WASHER E13-16-00B (4)

- CLAMP 62401-05-000(2)
- BRACKET 95061-01-000(4)
- SCREW G67-10-12B(4)

- SINK 104113-01-000
- STRAINER 92303-01-000(2)
- SEAL 91255-02-000(A/R)
- RETAINER 105497-01-000 (2)
- SCREW 105497-02-000 (2)
- SCREW G67-10-12G (20)

- SINK 96927-01-CHT
- SEAL 91255-02-000(A/R)

- A-8 USA
- P-2 USA
- P-3 CSA

- VALVE-REMOTE 62421-03-000
- HOLDER-RING 56134-02-000 (3)
- BOLT C12-05-16B (3)
- NUT D12-05-00B (3)
- NUT D32-05-00B (4)
- BOLT C18-05-40A (4)

- HANGER-STRAP 56133-13-000 (3)
- BOLT C18-05-40A (3)
- NUT D39-05-00B (3)

- BOLT C18-05-40A (3)
- NUT D39-05-00B (3)

- BRACKET ASM-HANDLE 134367-01-CHT
- CABLE-VALVE, REMOTE 62421-05-000
- VALVE 72346-01-000

- TANK-HOLDING 34 GAL 127489-02-000
- CRADLE ASM 56076-37-000
- BOLT C18-05-96A (4)
- NUT D39-05-00B (4)
- WASHER E13-16-00B (4)

- (43F) SHOWER SURROUND
- (231) HEATED HOLDING TANKS-PACKAGE

(X-X) FOR DRAINAGE CALLOUTS (SEE DWG NO. 116229-01-000)

- (10) SECURE VENT TUBES TO FLOOR WITH BRACKET.
- (9) VENT PIPE MUST PROJECT 51 MM MIN AND 64 MM MAX ABOVE ROOF FOR PROPER FIT AND FUNCTION.
- 8. SEE DWG 61607-01-000 FOR INSTL OF GROMMETS.
- 7. SEAL ALL AROUND SHOWER WITH SILICONE.
- 6. FOR CANADIAN UNITS EACH HOLDING TANK SHALL HAVE A CSA APPROVAL STAMPED NEAR THE IAMPO APPROVAL.
- 5. EXPOSED PIPE ABOVE ROOF TO BE PAINTED WITH 37163-01-000.
- 4. ALL EXTERIOR OPENINGS AROUND PIPE TO BE SEALED WITH 11074-01-000.
- 3. ALL PIPE AND FITTINGS TO BE ASSEMBLED WITH SOLVENT 4020-01-000.
- 2. SLOPE OF TRAP ARM MUST BE 6 PER 305.
- 1. SLOPE OF HORIZONTAL PIPING TO BE 6 PER 305 MIN.

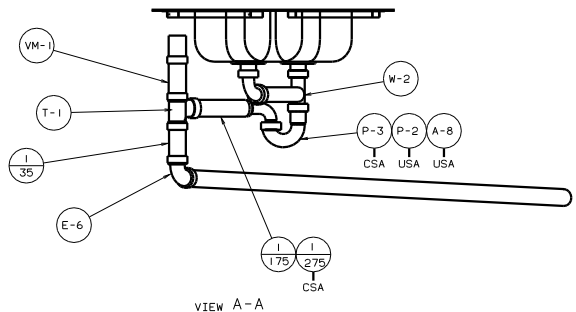
- (14) WRAP PAD AROUND ON THE SIDES OF THE TANK.
- (13) SEE WIRING INSTL-BODY, 12 V FOR ELECTRICAL CONNECTIONS.
- 12. SECURE PIPES TO CABINET USING WIRE TIE 108046-02-000 AND SCREW G67-10-12U(8).
- (11) NOT USED WITH 43G INTERIOR UPGRADE PACKAGE.

WINNEBAGO 00 331C/T

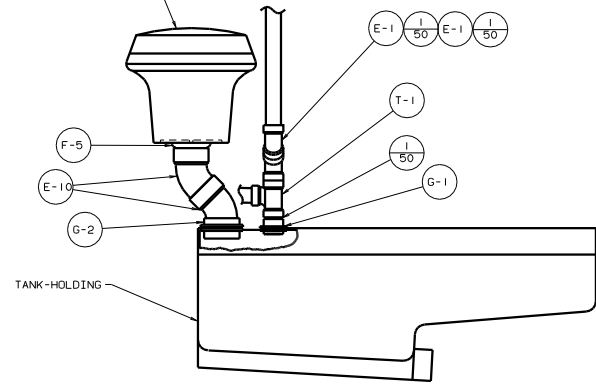
QTY	DATE	UNSPECIFIED TOLERANCES ARE:	INTERVAL:
CHD	DATE	WHOLE DIM IN MILLIMETERS	1
DT	DATE	ONE-PLACE DIM IN MILLIMETERS	0.1
DT	DATE	TWO-PLACE DIM IN MILLIMETERS	0.05
DT	DATE	THIRD PLACE DIM IN MILLIMETERS	0.02
DT	DATE	FOURTH PLACE DIM IN MILLIMETERS	0.01
DT	DATE	FIFTH PLACE DIM IN MILLIMETERS	0.005
DT	DATE	SIXTH PLACE DIM IN MILLIMETERS	0.002
DT	DATE	SEVENTH PLACE DIM IN MILLIMETERS	0.001

00C331C DRAINAGE SYSTEM INSTL
 134355

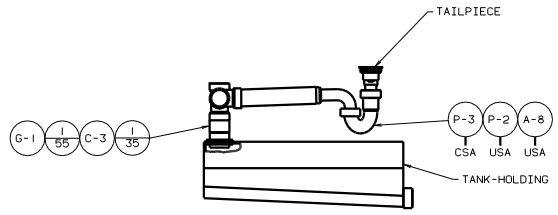
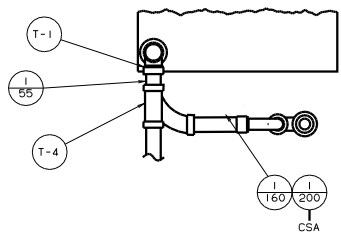
TOILET-SHORTY, AQUA IV
84738-01-CHT
(HAND FLUSH)
SCREW
87721-01-000 (6)
84738-02-CHT
(FOOT FLUSH)



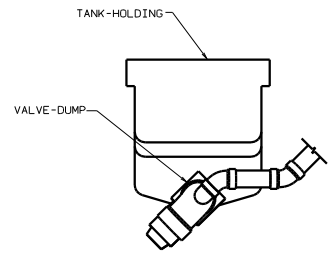
VIEW A-A



VIEW B-B

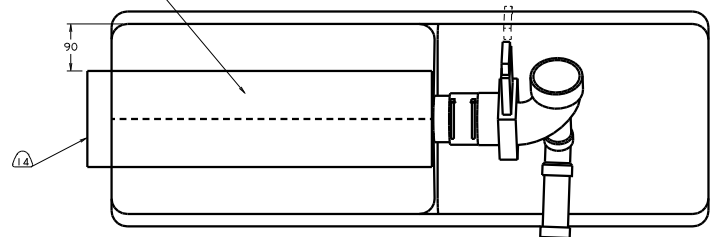


VIEW C-C



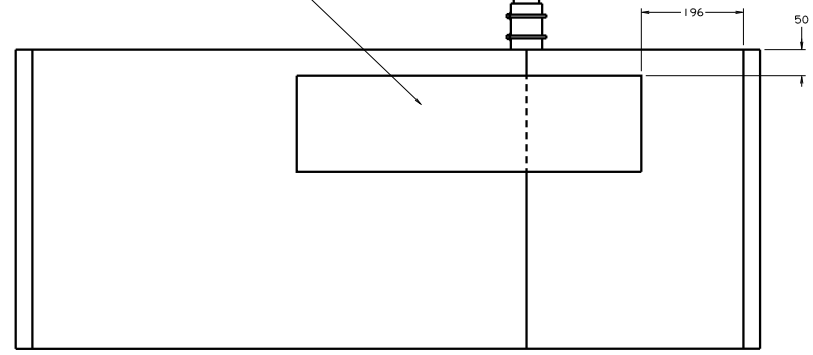
VIEW D-D

△(3) (23T) PAD-HEATER, HOLDING TANK, 40 GAL
133972-01-000



PAD-HEATER, ELBOW, 1.50
133972-05-000 △(3) (23T)

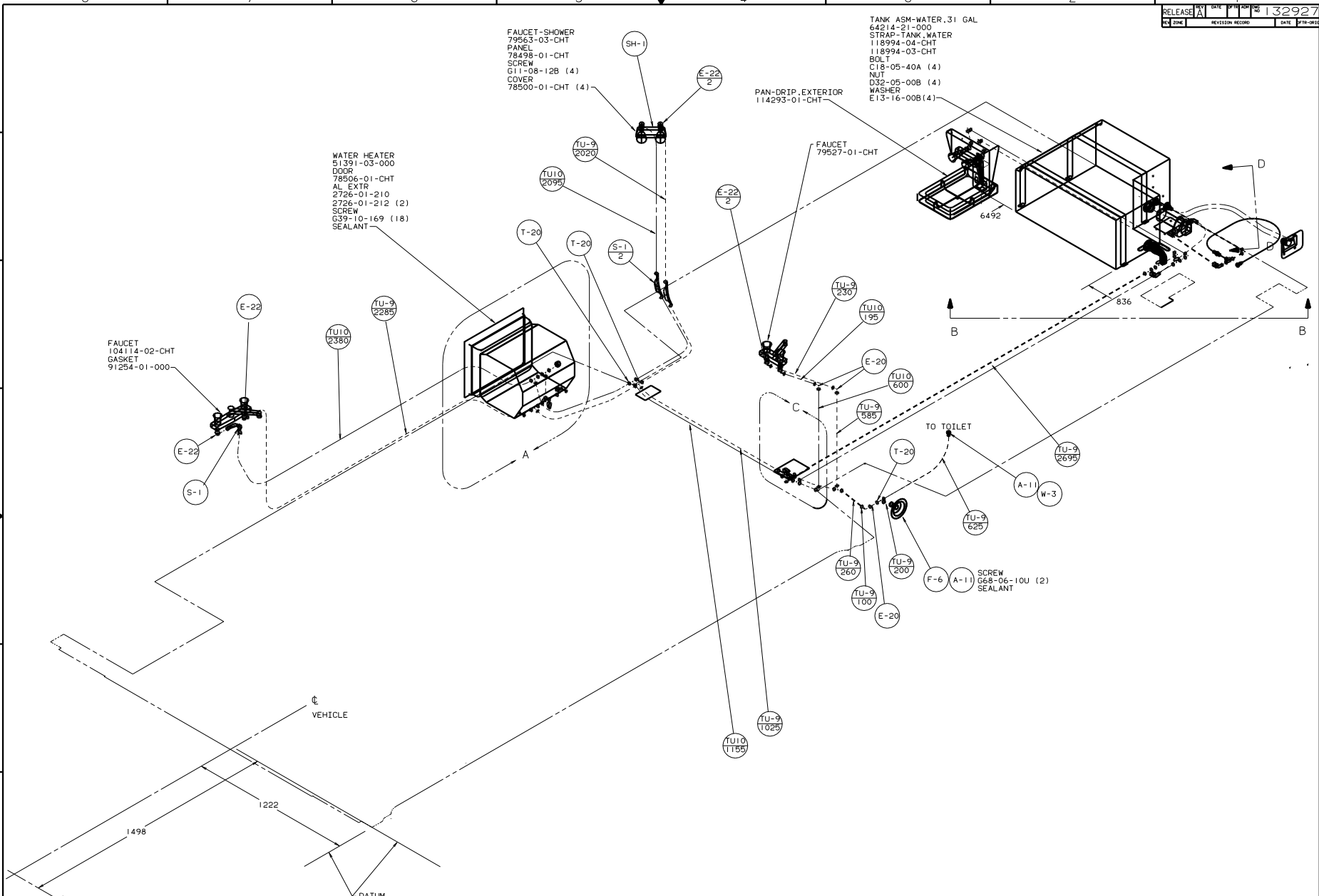
△(3) (23T) PAD-HEATER, HOLDING TANK, 40 GAL
133972-01-000



VIEW E-E

00 331C/T

TITLE: DRAINAGE SYSTEM INSUL		JOB NO: 134355	
DATE: 3/03	DRAWN BY: J.E.	CHECKED BY:	DATE:
SHEET 3 OF 3			



FAUCET-SHOWER
 79563-03-CHT
 PANEL
 78498-01-CHT
 SCREW
 G11-08-12B (4)
 COVER
 78500-01-CHT (4)

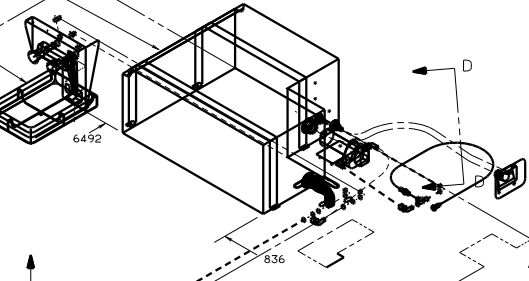
TANK ASM-WATER, 31 GAL
 64214-21-000
 STRAP-TANK, WATER
 118994-04-CHT
 118994-03-CHT
 BOLT
 C18-05-40A (4)
 NUT
 D32-05-00B (4)
 WASHER
 E13-16-00B(4)

WATER HEATER
 51391-03-000
 DOOR
 78506-01-CHT
 AL. EXTR
 2726-01-210
 2726-01-212 (2)
 SCREW
 G39-10-169 (18)
 SEALANT

FAUCET
 104114-02-CHT
 GASKET
 91254-01-000

PAN-DRIP, EXTERIOR
 114293-01-CHT

FAUCET
 79627-01-CHT



- NOTES:
- ④ ADD TEFLON TAPE 10405-01-000 TO FITTING.
 - ⑤ ADD TEFLON TAPE 10405-02-000 TO FITTING.
 - ④ CAP SEAL. SEE SEALANT MANUAL.
 3. ALL TUBING TO BE SECURED AT 1200 INTERVALS MAX WITH CLAMP 10495-01-000 OR CLIP 91951-01-000 AND SCREW G67-10-12B.
 2. TUBING TO BE INSTALLED WITH SUFFICIENT SLOPE TO PROVIDE DRAINAGE TO NEAREST VALVE.
 1. PLASTIC FITTINGS TO BE SEALED WITH SEALANT 84456-01-000.

(X-X) FOR WATER CALLOUTS SEE DWG NO 116230-01-000

LEGEND	
HOT	—●—●—●—
COLD	—●—●—●—

(64R) EXTERIOR WASH STATION

WINNEBAGO 00 331C/T

DATE	UNDESIGNED TOLERANCES ARE:	MATERIAL
DATE	WHOLE DIM (IN)	
DATE	ONE-PLACE (IN.X)	
DATE	TWO-PLACE (IN.XX)	
DATE	THREE-PLACE (IN.XXX)	
DATE	INDIC. W/ANGLE PROJECTION	

LAYOUT NO. DATE TITLE: WATER SYSTEM INSTL
 DIA # SCALE: NONE TO THE SCALE SHOWN: 1:1
 ALL DIMENSIONS ARE IN MILLIMETERS SHEET 1 OF 3 FIG NO 132927

