

- (1) CADDY-SHOWER 105707-01-CHT
- (1) PANEL-REINF 102028-03-000
- (1) TAPE 76322-01-000
- (1) SCREW G11-08-12B (16)
- (1) COVER 78500-01-CHT (16)

- (1) SHOWER PAN 127586-02-CHT
- (1) SCREW G11-08-12B (16)
- (1) COVER 78500-01-CHT (16)
- (43F) SHOWER INSTL-ENCLOSURE 134582-02-000
- (1) STRAINER 66440-01-000
- (1) SEALER 69640-01-000
- (1) NUT 130403-01-000
- (1) WASHER-RUBBER 127440-02-CHT
- (1) TAILPIECE 11069-02-000

- TANK-HOLDING 34 GAL 127519-02-000
- CRADLE ASM 103227-09-000
- BOLT C18-05-40A (4)
- NUT D39-05-00B (4)
- WASHER E13-16-00B (4)

- CLAMP 62401-05-000(2)
- BRACKET 95061-01-000(4)
- SCREW G67-10-12B(4)

- SINK 104113-01-000
- STRAINER 92303-01-000(2)
- SEAL 91255-02-000(A/R)
- RETAINER 105497-01-000 (2)
- SCREW 105497-02-000 (2)
- SCREW G67-10-12G (20)

- SINK 96927-01-CHT
- SEAL 91255-02-000(A/R)

- TANK-HOLDING 34 GAL 127489-02-000
- CRADLE ASM 56076-37-000
- BOLT C18-05-96A (4)
- NUT D39-05-00B (4)
- WASHER E13-16-00B (4)

- (43F) SHOWER SURROUND
- (231) HEATED HOLDING TANKS-PACKAGE

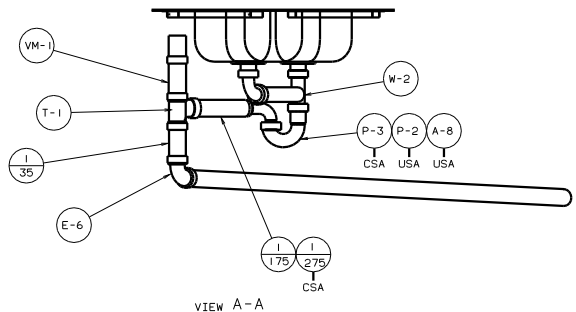
1. SLOPE OF HORIZONTAL PIPING TO BE 6 PER 305 MIN.
2. SLOPE OF TRAP ARM MUST BE 6 PER 305.
3. ALL PIPE AND FITTINGS TO BE ASSEMBLED WITH SOLVENT 4020-01-000.
4. ALL EXTERIOR OPENINGS AROUND PIPE TO BE SEALED WITH 11074-01-000.
5. EXPOSED PIPE ABOVE ROOF TO BE PAINTED WITH 37163-01-000.
6. FOR CANADIAN UNITS EACH HOLDING TANK SHALL HAVE A CSA APPROVAL STAMPED NEAR THE IAMPO APPROVAL.
7. SEAL ALL AROUND SHOWER WITH SILICONE.
8. SEE DWG 61607-01-000 FOR INSTL OF GROMMETS.

- (14) WRAP PAD AROUND ON THE SIDES OF THE TANK.
- (13) SEE WIRING INSTL-BODY, 12 V FOR ELECTRICAL CONNECTIONS.
- 12. SECURE PIPES TO CABINET USING WIRE TIE 108046-02-000 AND SCREW G67-10-12U(8).
- (1) NOT USED WITH 43G INTERIOR UPGRADE PACKAGE.

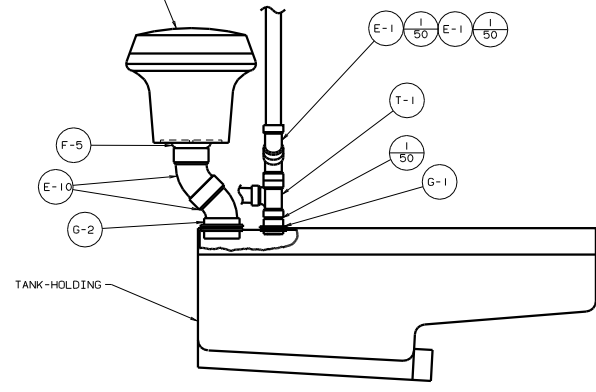
FOR DRAINAGE CALLOUTS SEE DWG NO. 116229-01-000

DATE		UNSPECIFIED TOLERANCES ARE:		INTERVAL:	
DATE	DATE	FRAC	DEC	MIN	MAX
DATE	DATE	1/16	1/32	0.005	0.010
DATE	DATE	1/8	1/16	0.010	0.015
DATE	DATE	3/16	1/4	0.015	0.020
DATE	DATE	1/2	3/4	0.020	0.025
DATE	DATE	1	2	0.025	0.030
DATE	DATE	2	3	0.030	0.035
DATE	DATE	3	4	0.035	0.040
DATE	DATE	4	5	0.040	0.045
DATE	DATE	5	6	0.045	0.050
DATE	DATE	6	7	0.050	0.055
DATE	DATE	7	8	0.055	0.060
DATE	DATE	8	9	0.060	0.065
DATE	DATE	9	10	0.065	0.070
DATE	DATE	10	11	0.070	0.075
DATE	DATE	11	12	0.075	0.080
DATE	DATE	12	13	0.080	0.085
DATE	DATE	13	14	0.085	0.090
DATE	DATE	14	15	0.090	0.095
DATE	DATE	15	16	0.095	0.100
DATE	DATE	16	17	0.100	0.105
DATE	DATE	17	18	0.105	0.110
DATE	DATE	18	19	0.110	0.115
DATE	DATE	19	20	0.115	0.120
DATE	DATE	20	21	0.120	0.125
DATE	DATE	21	22	0.125	0.130
DATE	DATE	22	23	0.130	0.135
DATE	DATE	23	24	0.135	0.140
DATE	DATE	24	25	0.140	0.145
DATE	DATE	25	26	0.145	0.150
DATE	DATE	26	27	0.150	0.155
DATE	DATE	27	28	0.155	0.160
DATE	DATE	28	29	0.160	0.165
DATE	DATE	29	30	0.165	0.170
DATE	DATE	30	31	0.170	0.175
DATE	DATE	31	32	0.175	0.180
DATE	DATE	32	33	0.180	0.185
DATE	DATE	33	34	0.185	0.190
DATE	DATE	34	35	0.190	0.195
DATE	DATE	35	36	0.195	0.200
DATE	DATE	36	37	0.200	0.205
DATE	DATE	37	38	0.205	0.210
DATE	DATE	38	39	0.210	0.215
DATE	DATE	39	40	0.215	0.220
DATE	DATE	40	41	0.220	0.225
DATE	DATE	41	42	0.225	0.230
DATE	DATE	42	43	0.230	0.235
DATE	DATE	43	44	0.235	0.240
DATE	DATE	44	45	0.240	0.245
DATE	DATE	45	46	0.245	0.250
DATE	DATE	46	47	0.250	0.255
DATE	DATE	47	48	0.255	0.260
DATE	DATE	48	49	0.260	0.265
DATE	DATE	49	50	0.265	0.270
DATE	DATE	50	51	0.270	0.275
DATE	DATE	51	52	0.275	0.280
DATE	DATE	52	53	0.280	0.285
DATE	DATE	53	54	0.285	0.290
DATE	DATE	54	55	0.290	0.295
DATE	DATE	55	56	0.295	0.300
DATE	DATE	56	57	0.300	0.305
DATE	DATE	57	58	0.305	0.310
DATE	DATE	58	59	0.310	0.315
DATE	DATE	59	60	0.315	0.320
DATE	DATE	60	61	0.320	0.325
DATE	DATE	61	62	0.325	0.330
DATE	DATE	62	63	0.330	0.335
DATE	DATE	63	64	0.335	0.340
DATE	DATE	64	65	0.340	0.345
DATE	DATE	65	66	0.345	0.350
DATE	DATE	66	67	0.350	0.355
DATE	DATE	67	68	0.355	0.360
DATE	DATE	68	69	0.360	0.365
DATE	DATE	69	70	0.365	0.370
DATE	DATE	70	71	0.370	0.375
DATE	DATE	71	72	0.375	0.380
DATE	DATE	72	73	0.380	0.385
DATE	DATE	73	74	0.385	0.390
DATE	DATE	74	75	0.390	0.395
DATE	DATE	75	76	0.395	0.400
DATE	DATE	76	77	0.400	0.405
DATE	DATE	77	78	0.405	0.410
DATE	DATE	78	79	0.410	0.415
DATE	DATE	79	80	0.415	0.420
DATE	DATE	80	81	0.420	0.425
DATE	DATE	81	82	0.425	0.430
DATE	DATE	82	83	0.430	0.435
DATE	DATE	83	84	0.435	0.440
DATE	DATE	84	85	0.440	0.445
DATE	DATE	85	86	0.445	0.450
DATE	DATE	86	87	0.450	0.455
DATE	DATE	87	88	0.455	0.460
DATE	DATE	88	89	0.460	0.465
DATE	DATE	89	90	0.465	0.470
DATE	DATE	90	91	0.470	0.475
DATE	DATE	91	92	0.475	0.480
DATE	DATE	92	93	0.480	0.485
DATE	DATE	93	94	0.485	0.490
DATE	DATE	94	95	0.490	0.495
DATE	DATE	95	96	0.495	0.500
DATE	DATE	96	97	0.500	0.505
DATE	DATE	97	98	0.505	0.510
DATE	DATE	98	99	0.510	0.515
DATE	DATE	99	100	0.515	0.520
DATE	DATE	100	101	0.520	0.525
DATE	DATE	101	102	0.525	0.530
DATE	DATE	102	103	0.530	0.535
DATE	DATE	103	104	0.535	0.540
DATE	DATE	104	105	0.540	0.545
DATE	DATE	105	106	0.545	0.550
DATE	DATE	106	107	0.550	0.555
DATE	DATE	107	108	0.555	0.560
DATE	DATE	108	109	0.560	0.565
DATE	DATE	109	110	0.565	0.570
DATE	DATE	110	111	0.570	0.575
DATE	DATE	111	112	0.575	0.580
DATE	DATE	112	113	0.580	0.585
DATE	DATE	113	114	0.585	0.590
DATE	DATE	114	115	0.590	0.595
DATE	DATE	115	116	0.595	0.600
DATE	DATE	116	117	0.600	0.605
DATE	DATE	117	118	0.605	0.610
DATE	DATE	118	119	0.610	0.615
DATE	DATE	119	120	0.615	0.620
DATE	DATE	120	121	0.620	0.625
DATE	DATE	121	122	0.625	0.630
DATE	DATE	122	123	0.630	0.635
DATE	DATE	123	124	0.635	0.640
DATE	DATE	124	125	0.640	0.645
DATE	DATE	125	126	0.645	0.650
DATE	DATE	126	127	0.650	0.655
DATE	DATE	127	128	0.655	0.660
DATE	DATE	128	129	0.660	0.665
DATE	DATE	129	130	0.665	0.670
DATE	DATE	130	131	0.670	0.675
DATE	DATE	131	132	0.675	0.680
DATE	DATE	132	133	0.680	0.685
DATE	DATE	133	134	0.685	0.690
DATE	DATE	134	135	0.690	0.695
DATE	DATE	135	136	0.695	0.700
DATE	DATE	136	137	0.700	0.705
DATE	DATE	137	138	0.705	0.710
DATE	DATE	138	139	0.710	0.715
DATE	DATE	139	140	0.715	0.720
DATE	DATE	140	141	0.720	0.725
DATE	DATE	141	142	0.725	0.730
DATE	DATE	142	143	0.730	0.735
DATE	DATE	143	144	0.735	0.740
DATE	DATE	144	145	0.740	0.745
DATE	DATE	145	146	0.745	0.750
DATE	DATE	146	147	0.750	0.755
DATE	DATE	147	148	0.755	0.760
DATE	DATE	148	149	0.760	0.765
DATE	DATE	149	150	0.765	0.770
DATE	DATE	150	151	0.770	0.775
DATE	DATE	151	152	0.775	0.780
DATE	DATE	152	153	0.780	0.785
DATE	DATE	153	154	0.785	0.790
DATE	DATE	154	155	0.790	0.795
DATE	DATE	155	156	0.795	0.800
DATE	DATE	156	157	0.800	0.805
DATE	DATE	157	158	0.805	0.810
DATE	DATE	158	159	0.810	0.815
DATE	DATE	159	160	0.815	0.820
DATE	DATE	160	161	0.820	0.825
DATE	DATE	161	162	0.825	0.830
DATE	DATE	162	163	0.830	0.835
DATE	DATE	163	164	0.835	0.840
DATE	DATE	164	165	0.840	0.845
DATE	DATE	165	166	0.845	0.850
DATE	DATE	166	167	0.850	0.855
DATE	DATE	167	168	0.855	0.860
DATE	DATE	168	169	0.860	0.865
DATE	DATE	169	170		

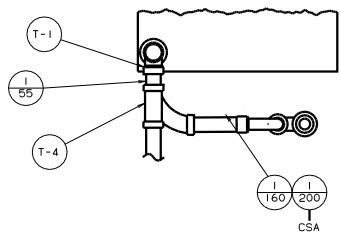
TOILET-SHORTY, AQUA IV
84738-01-CHT
(HAND FLUSH)
SCREW
87721-01-000 (6)
84738-02-CHT
(FOOT FLUSH)



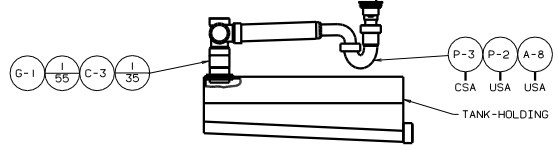
VIEW A-A



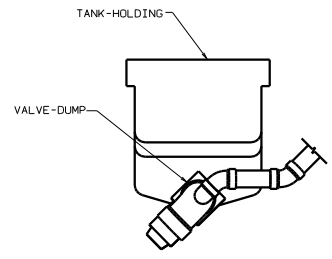
VIEW B-B



TAILPIECE

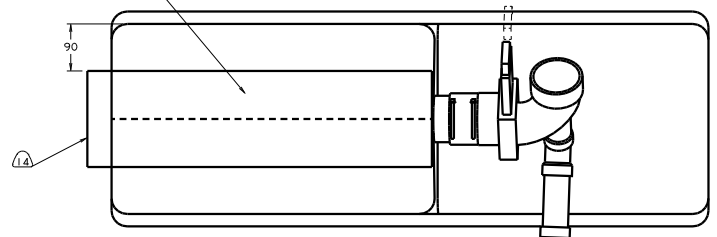


VIEW C-C



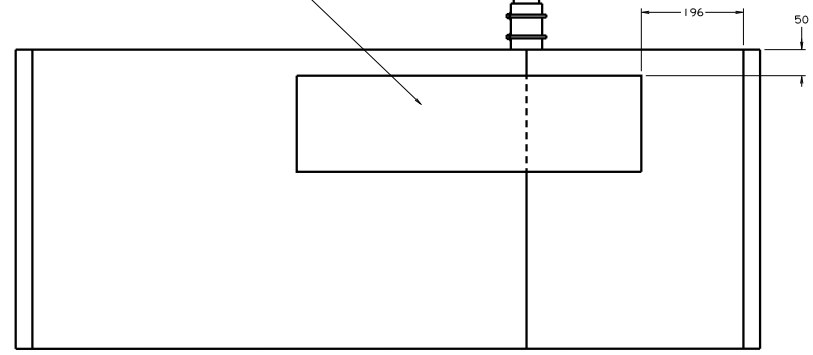
VIEW D-D

△(3) (23T) PAD-HEATER, HOLDING TANK, 40 GAL
133972-01-000



PAD-HEATER, ELBOW, 1.50
133972-03-000 △(3) (23T)

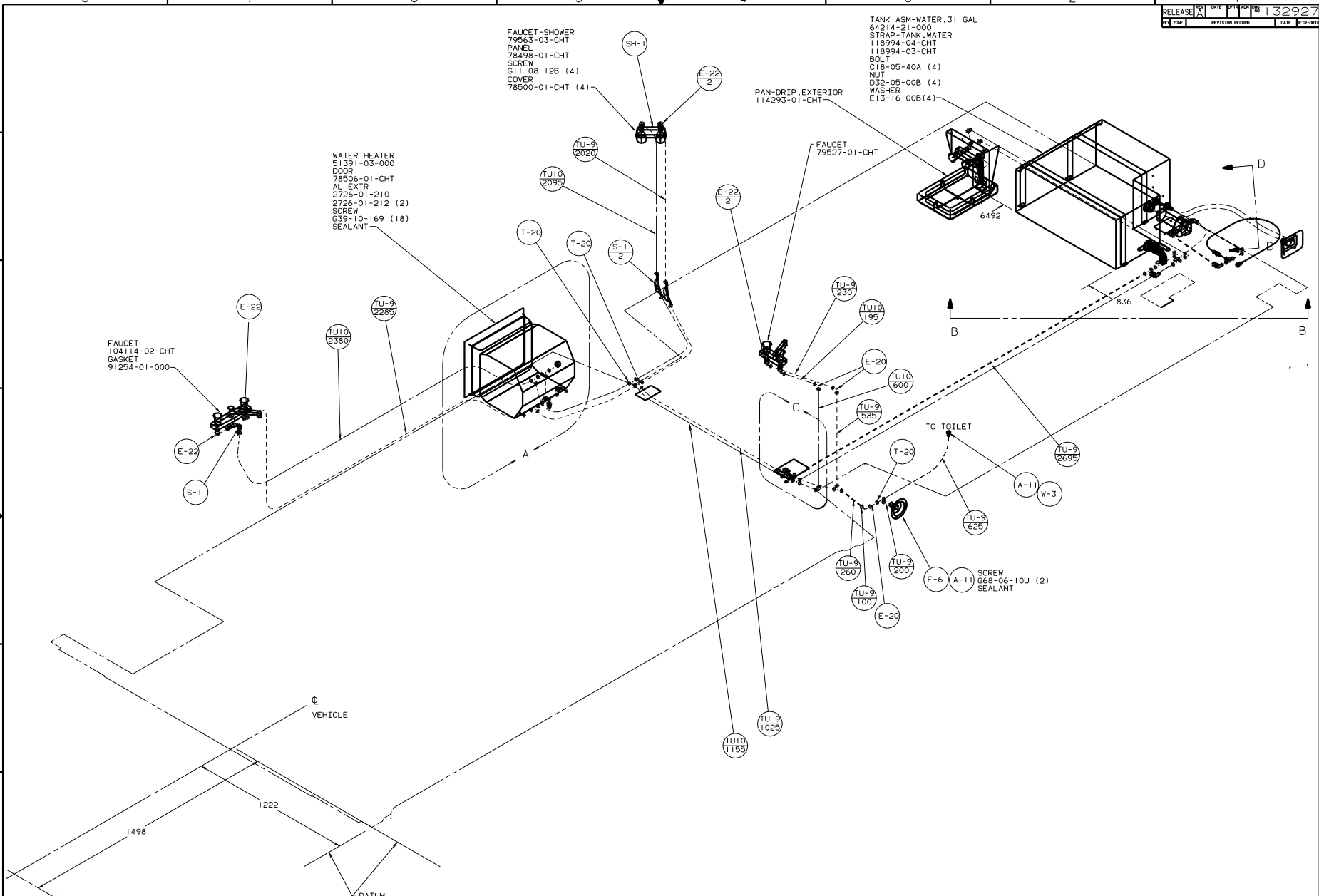
△(3) (23T) PAD-HEATER, HOLDING TANK, 40 GAL
133972-01-000



VIEW E-E

00 331C/T

TITLE: DRAINAGE SYSTEM INSL		DWG NO: 134355	
NO. OF SHEETS	OF	SHEET	NO.
3	OF	3	3



FAUCET-SHOWER
 79563-03-CHT
 PANEL
 78498-01-CHT
 SCREW
 G11-08-12B (4)
 COVER
 78500-01-CHT (4)

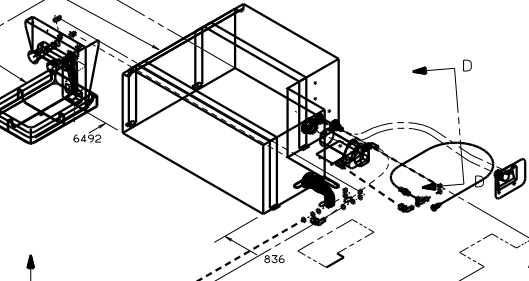
TANK ASM-WATER, 31 GAL
 64214-21-000
 STRAP-TANK, WATER
 118994-04-CHT
 118994-03-CHT
 BOLT
 C18-05-40A (4)
 NUT
 D32-05-00B (4)
 WASHER
 E13-16-00B(4)

WATER HEATER
 51391-03-000
 DOOR
 78506-01-CHT
 AL. EXTR
 2726-01-210
 2726-01-212 (2)
 SCREW
 G39-10-169 (18)
 SEALANT

FAUCET
 104114-02-CHT
 GASKET
 91254-01-000

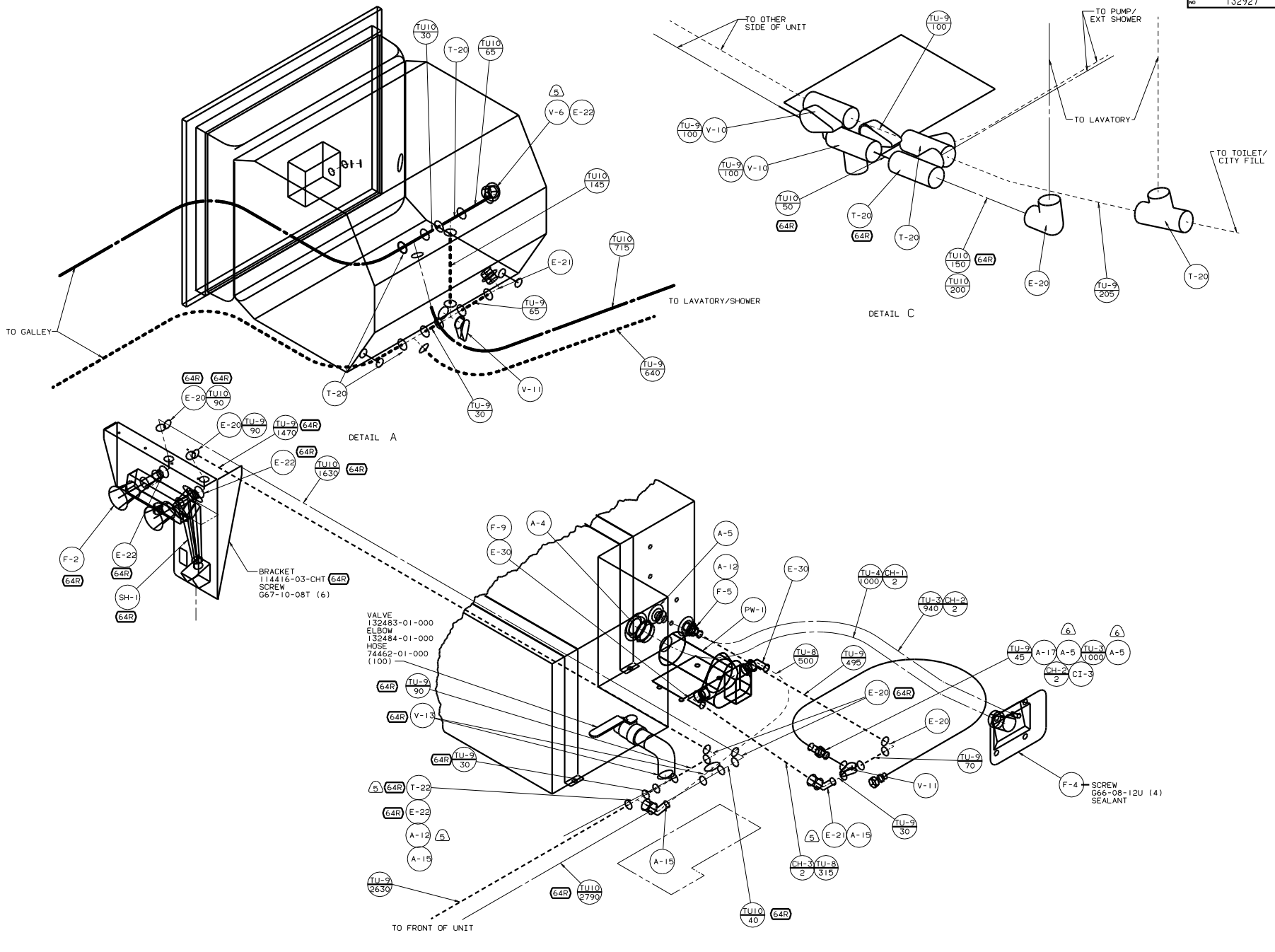
PAN-DRIP, EXTERIOR
 114293-01-CHT

FAUCET
 79627-01-CHT

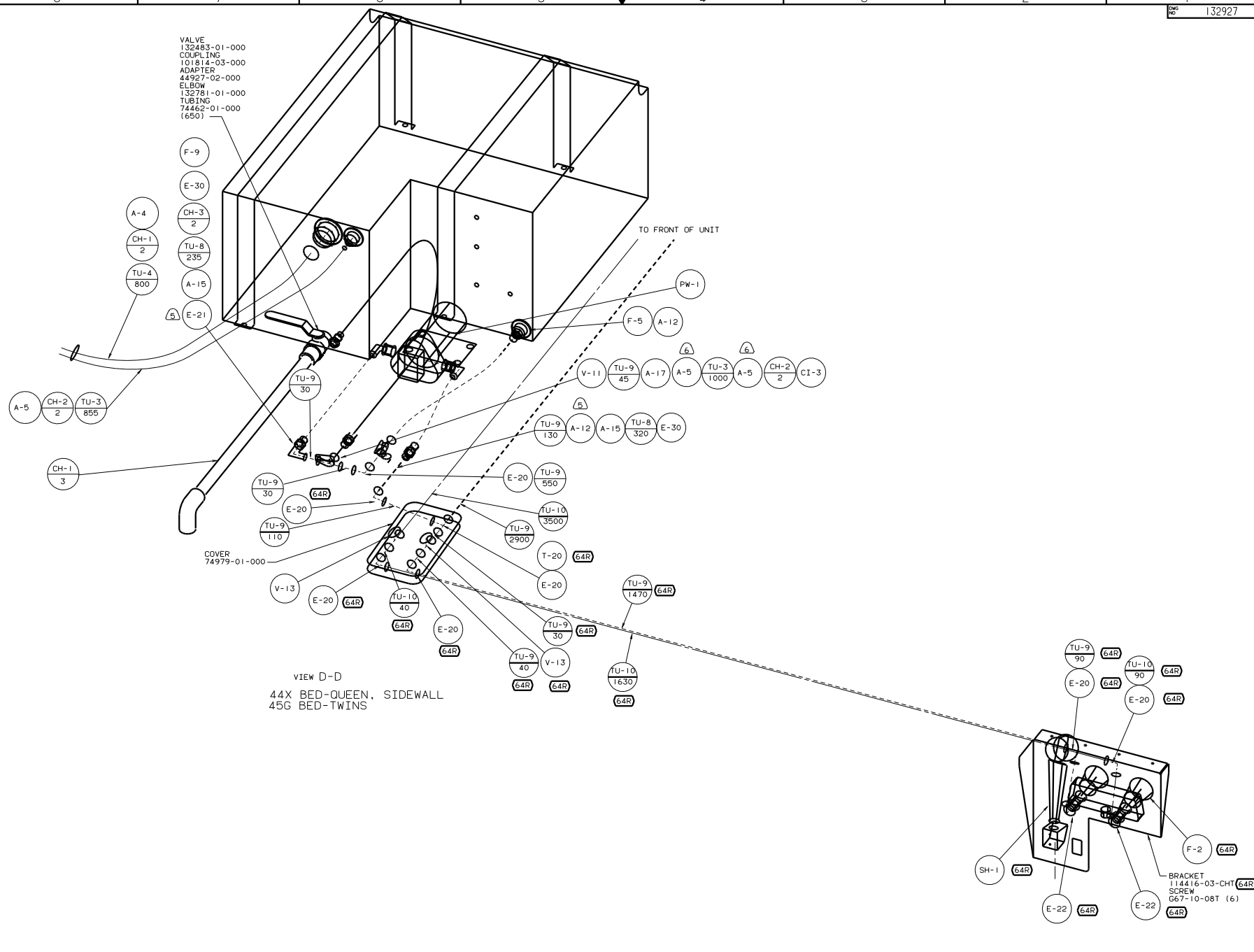


- NOTES:
1. PLASTIC FITTINGS TO BE SEALED WITH SEALANT 84456-01-000.
 2. TUBING TO BE INSTALLED WITH SUFFICIENT SLOPE TO PROVIDE DRAINAGE TO NEAREST VALVE.
 3. ALL TUBING TO BE SECURED AT 1200 INTERVALS MAX WITH CLAMP 10495-01-000 OR CLIP 91951-01-000 AND SCREW G67-10-12B.
 4. CAP SEAL. SEE SEALANT MANUAL.
 5. ADD TEFLON TAPE 10405-02-000 TO FITTING.
 6. ADD TEFLON TAPE 10405-01-000 TO FITTING.

(X-X) FOR WATER CALLOUTS SEE DWG NO 116230-01-000		(64R) EXTERIOR WASH STATION	
LEGEND HOT: —●—●—●— COLD: —●—●—●—		WINNEBAGO 00 331C/T	
PART NO. DATE UNDESIGNED TOLERANCES ARE: MATERIAL: CHG DATE ONE-PLACE (X.X) : P/E DATE TWO-PLACE (X.XX) : D/E DATE ANGLES : CORR DATE INDIC. W/ANGLE PROJECTION	WATER SYSTEM INSTL		
DRAWN BY: SCALE: NOTE: TO THE SCALE SHOWN: SHEET 1 OF 3	REF: 130333 E I 132927		



- VALVE 132483-01-000
- COUPLING 101814-03-000
- ADAPTER 44927-02-000
- ELBOW 132781-01-000
- TUBING 74462-01-000 (650)



00 331C/T

TITLE: WATER SYSTEM INSTL	
30 000 SCALE 1:1	132927
SHEET 3 OF 3	1 E