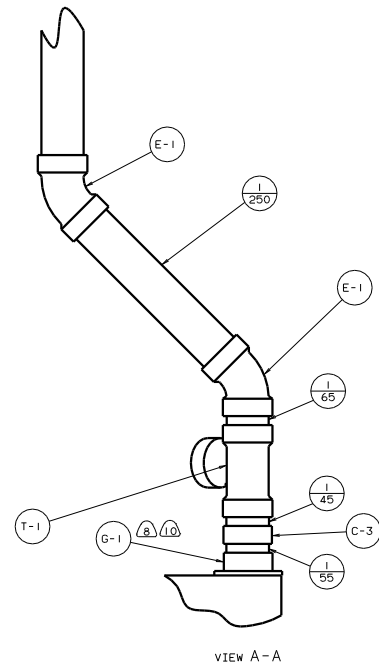


- 14 SEE WIRING INSTL-BODY, 12 V FOR ELECTRICAL CONNECTIONS.
- 13 SECURE PIPES TO CABINET USING WIRE TIE 108046-02-000 AND SCREW G67-10-12U (8)
- 12 TRIM P-TRAP EXTENSION TO FIT.
- 11 CLEAN AND APPLY ADHESIVE PROMOTER 87211-01-000 TO BOTH SURFACES AND BOND WITH TAPE.
- 10 SECURE VENT TUBES TO FLOOR.
- 9 VENT PIPE MUST PROJECT 51 MIN AND 64 MAX ABOVE ROOF FOR PROPER FIT AND FUNCTION.
- 8 SEE DWG 61607-01-000 FOR INSTL OF GROMMET.
- 7 SEAL ALL AROUND SHOWER WITH SILICONE 78474-01-CHT.
- 6 FOR CAN UNITS EACH HOLDING TANK SHALL HAVE A CSA APPROVAL STAMPED NEAR THE IAMPO APPROVAL.
- 5. EXPOSED PIPE ABOVE ROOF TO BE PAINTED 37163-01-000.
- 4. ALL EXTERIOR OPENINGS AROUND PIPE TO BE SEALED.
- 3. ALL PIPE AND FITTINGS TO BE ASSEMBLED WITH SOLVENT 4020-01-000.
- 2. SLOPE OF TRAP ARM MUST BE 6 PER 305.
- 1. SLOPE OF HORIZONTAL PIPING TO BE 6 PER 305 MIN.

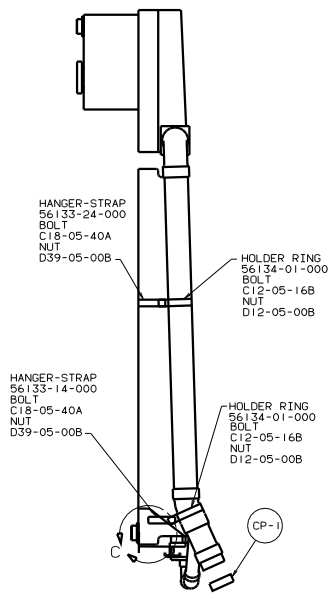
23T HEATED HOLDING TANKS-PACKAGE
 43F SHOWER SURROUND-ABS

X-X FOR DRAINAGE CALLOUTS SEE DWG NO. 116229-01-000

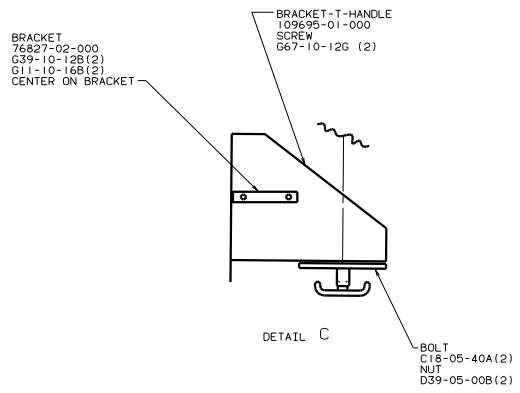
DATE		UNDESIGNED TOLERANCES ARE:	IN MATERIAL
DATE	DATE	WHOLE DIM (IN)	+ .15
DATE	DATE	ONE-PLACE (IN.X)	- .01
DATE	DATE	TWO-PLACE (IN.XXX)	- .005
DATE	DATE	THREE-PLACE (IN.XXXX)	- .001
DATE	DATE	ALL DIMENSIONS ARE IN MILLIMETERS	
DRAWN BY		SCALE	
CHECKED BY		DATE	
TITLE		SHEET	
DRAINAGE SYSTEM INSTL		1 OF 3	
REF: 130696 E		134356	



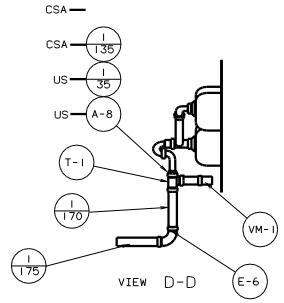
VIEW A-A



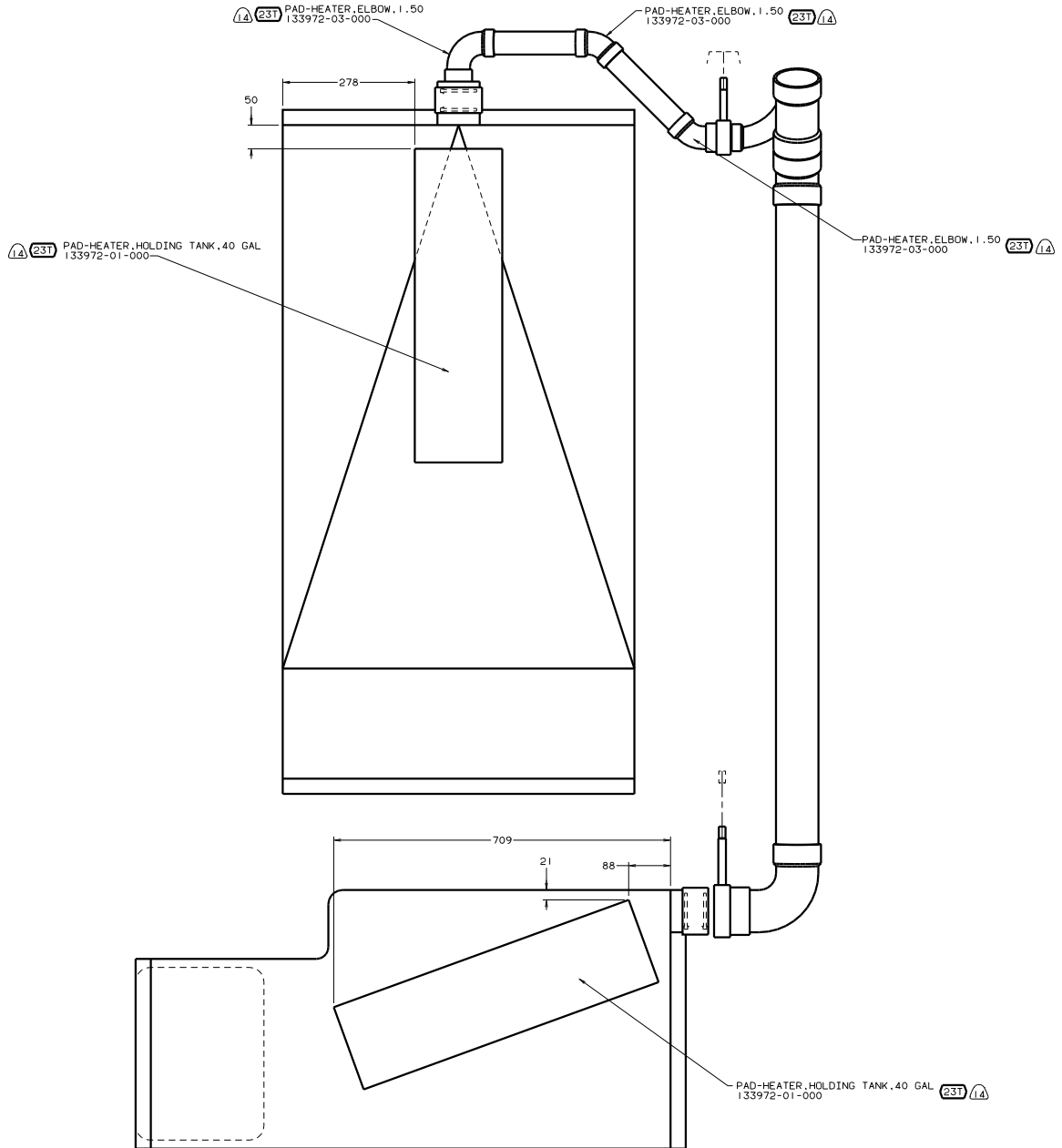
VIEW B-B



DETAIL C



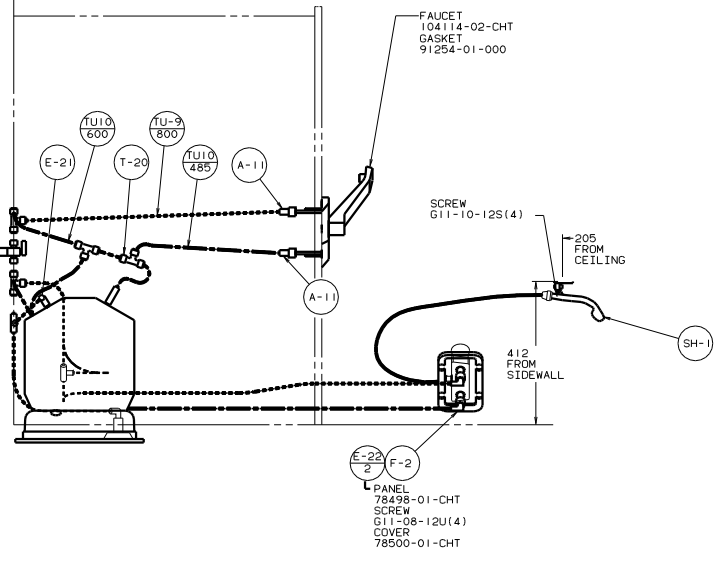
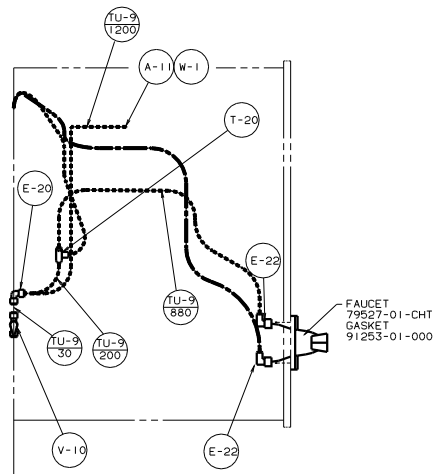
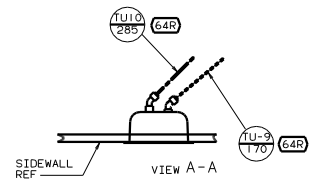
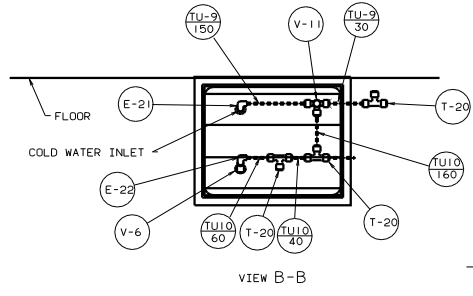
VIEW D-D



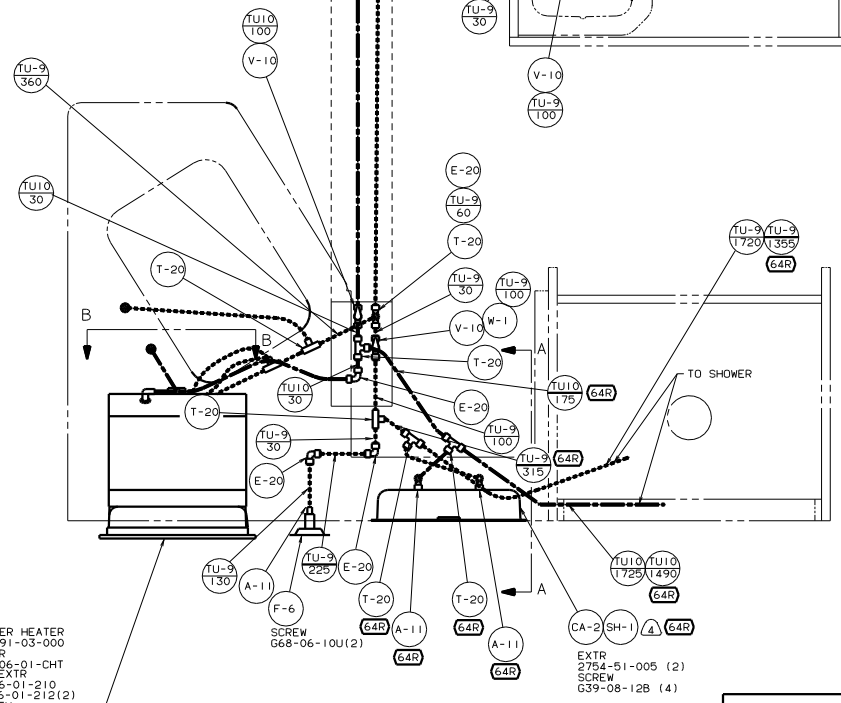
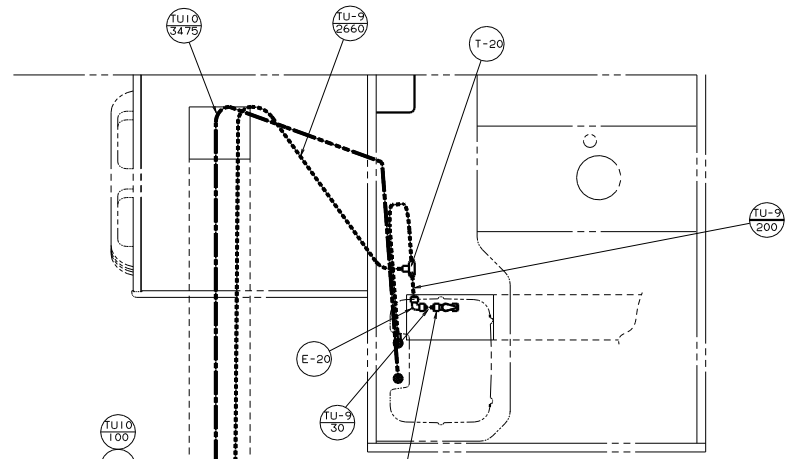
VIEW E-E

00 329N

TITLE: DRAINAGE SYSTEM INSTL	
30 001 0000 0000	134356
SHEET 3 OF 3	134356



○
 FRONT AXLE



WATER HEATER
 51391-03-000
 DOOR 78506-01-CHT
 AL EXTR 2726-01-210
 2726-01-212(2)
 SCREW G39-10-169(18)
 SEALANT

(64R) EXTERIOR WASH STATION

(X-X) FOR WATER CALLOUTS SEE DWG NO. 116230-01-000

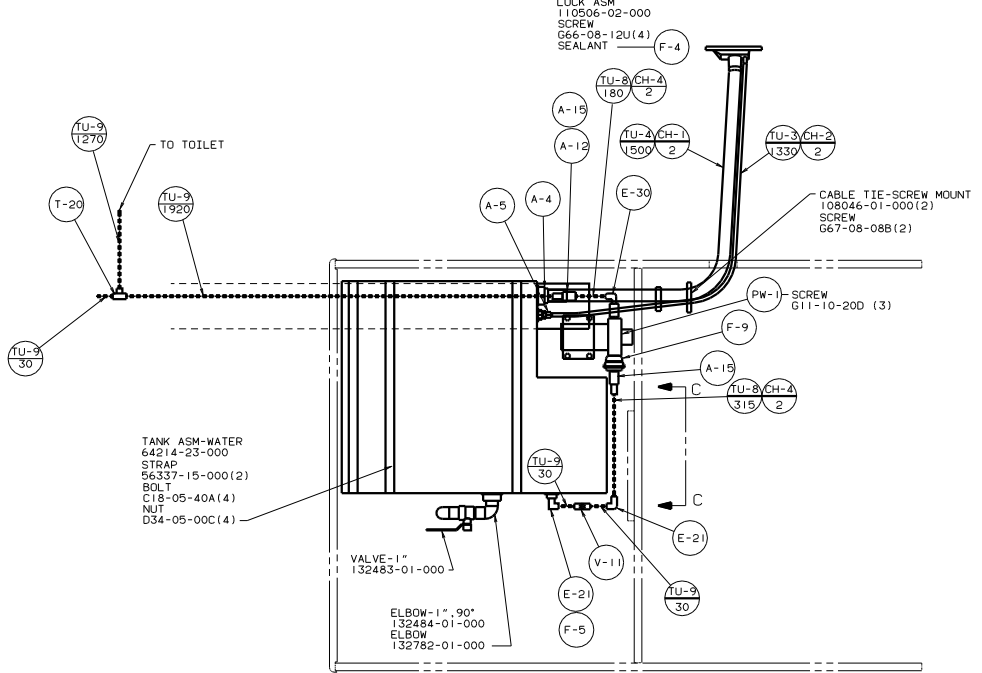
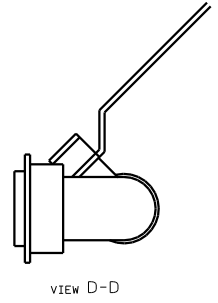
- 1. PLASTIC FITTINGS TO BE SEALED WITH SEALANT 84456-01-000.
- 2. TUBING TO BE INSTALLED WITH SUFFICIENT SLOPE TO PROVIDE DRAINAGE TO NEAREST VALVE.
- 3. ALL TUBING TO BE SECURED AT 1200 INTERVALS MAX WITH CLAMP 10495-01-000 OR CLIP 91951-01-000 AND SCREW G67-10-12B.
- (S) USE STAPLE 8402-01-000 TO ATTACH TO SIDEWALL.
- (A) CAPSEAL SEE SEALANT MANUAL.

LEGEND	
HOT	-----
COLD	-----

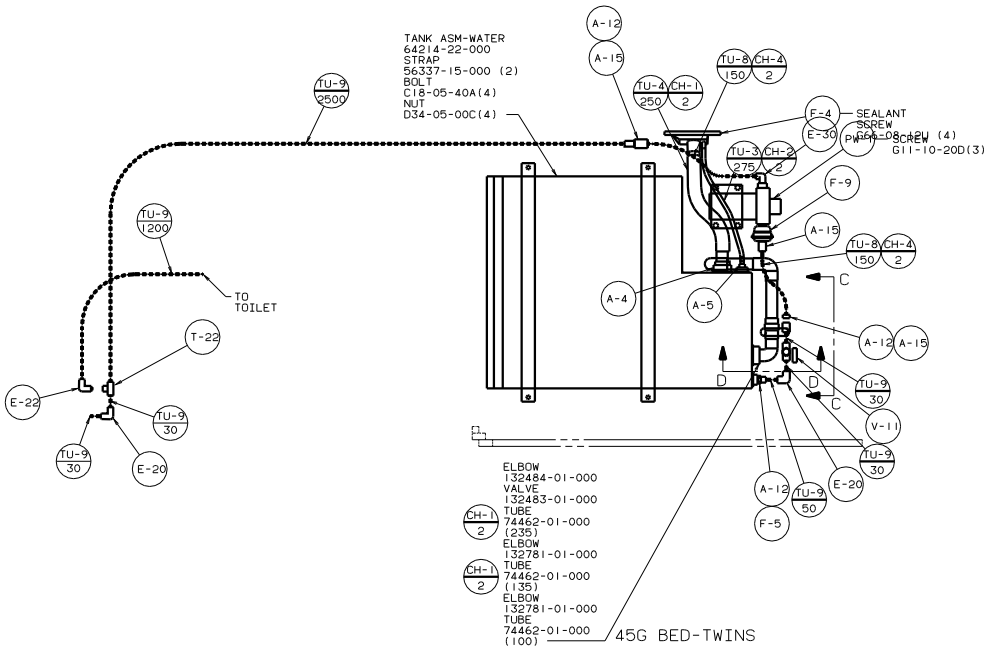
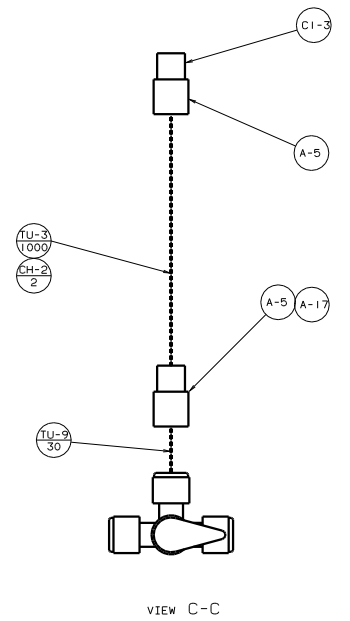
WINNEBAGO 00 329N

OPTR	DATE	UNSPECIFIED TOLERANCES ARE:	MATERIAL
CHRP	DATE	WHOLE DIM (IN)	F.F.
DFE	DATE	ONE-PLACE (IN.XI)	
D/E	DATE	TWO-PLACE (IN.XXX)	
DATE	DATE	MIXED	
DATE	DATE	THIRD WHOLE	
DATE	DATE	PRODUCTION	

LAND: TITLE: WATER SYSTEM INSTL
 DIA # SCALE: NONE TO THE SCALE SHOWN: 1:1
 ALL DIMENSIONS ARE IN MILLIMETERS SHEET 1 OF 2 DWG NO. 132951



49X BED-QUEEN BACKWALL



45G BED-TWINS