

- SINK
- 104113-01-000
- STRAINER
- 92303-01-000 (2)
- SEAL
- 91255-02-000 (A/R)
- RETAINER
- 105497-01-000 (2)
- 105497-02-000 (2)
- SCREW
- G67-10-126 (20)

- SHOWER PAN
- 115611-02-CHT
- SHOWER ENCLOSURE INSTL (43F)
- 116119-01-000
- TAILPIECE
- 11069-01-000
- NUT
- 130403-01-000
- WASHER
- 127440-02-CHT
- STRAINER
- 66729-01-000
- SEALANT

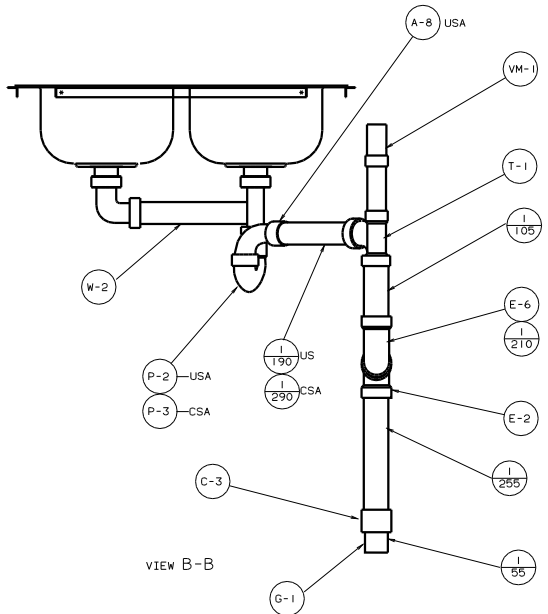
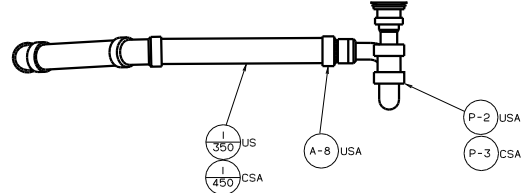
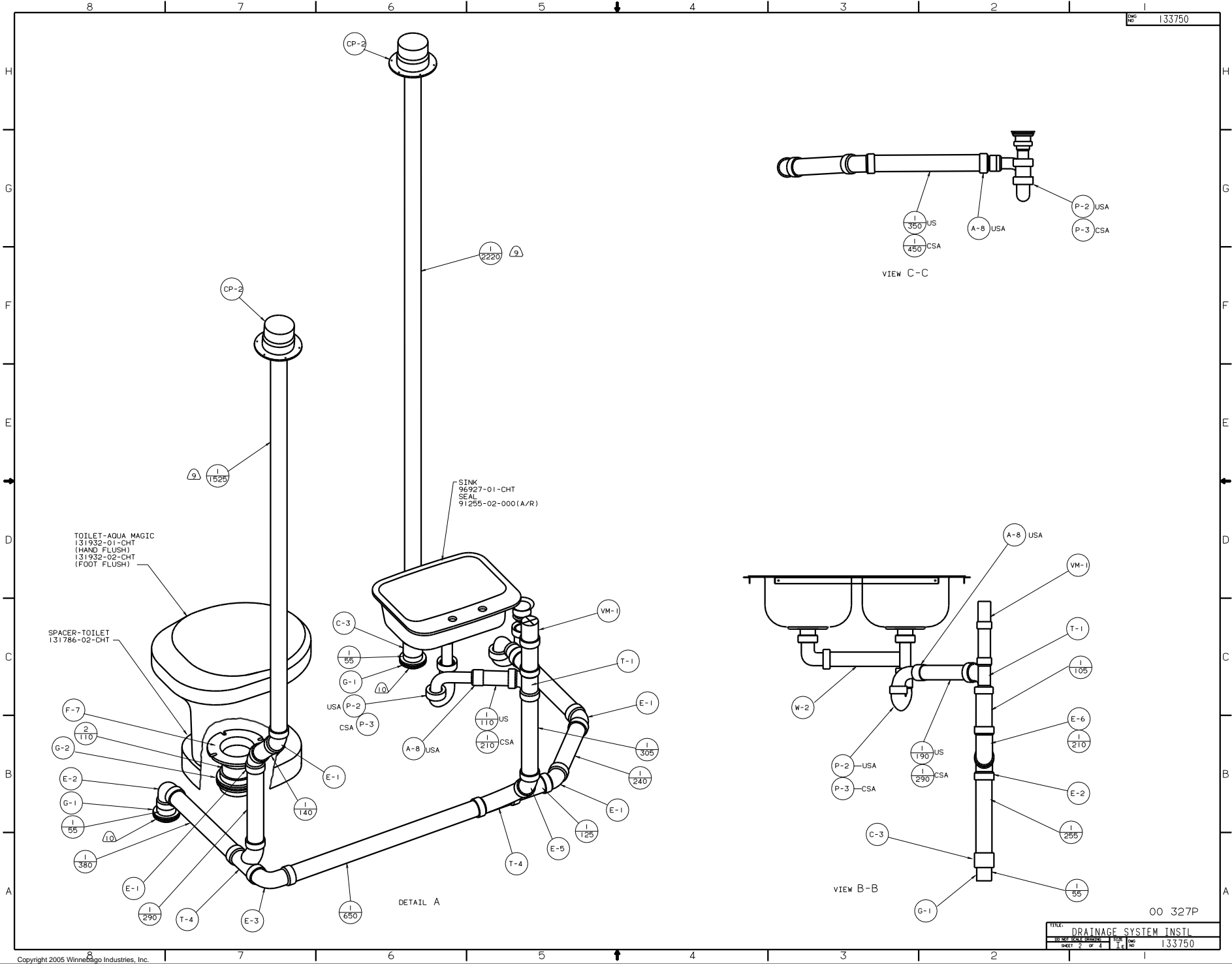
- HOLDER-RING
- 56134-02-000
- BOLT
- C12-05-16B
- NUT
- D12-05-00B
- HANGER-STRAP
- 56133-13-000
- BOLT
- C18-05-40A
- NUT
- D39-05-00B

- 13 SEE WIRING INSTL-BODY. 12V FOR ELECTRICAL CONNECTIONS.
- 12 SECURE PIPES TO CABINET USING WIRE TIE 108046-02-000 AND SCREW G67-10-12U(8).
- 11 TRIM P-TRAP EXTENSION TO FIT.
- 10 SECURE VENT TUBES TO FLOOR WITH BRACKET 95061-01-000(2), CLAMP 62401-02-000, SCREW G67-10-12B(2).
- 9 VENT PIPE MUST PROJECT 51 MM MIN AND 64 MM MAX ABOVE ROOF FOR PROPER FIT AND FUNCTION.
- 8 SEE DWG 61607-01-000 FOR INSTL OF GROMMETS.
- 7 SEAL ALL AROUND SHOWER WITH SILICONE.
- 6 FOR CAN UNITS EACH HOLDING TANK SHALL HAVE A CSA APPROVAL STAMPED NEAR THE IAMPO APPROVAL.
- 5 EXPOSED PIPE ABOVE ROOF TO BE PAINTED 37163-01-000.
- 4 ALL EXTERIOR OPENINGS AROUND PIPE TO BE SEALED WITH 110744-01-000.
- 3 ALL PIPE AND FITTINGS TO BE ASSEMBLED WITH SOLVENT 4020-01-000.
- 2 SLOPE OF TRAP ARM MUST BE 6 PER 305.
- 1 SLOPE OF HORIZONTAL PIPING TO BE 6 PER 305 MIN.

(23T) HEATED HOLDING TANK-PACKAGE  
 (43F) SHOWER SURROUND

DPRN		DATE	UNDESIGNED TOLERANCES ARE:	MATERIAL:
DWG	DATE	NO. IN PLACE (1)	± .7	
P.E.	DATE	TWO IN PLACE (1)	± .1	
DWG	DATE	THIRD IN PLACE	± .1	
DATE	DATE	PROJECTION		
LAYER NO.	---	TITLE:		
DWG NO.	116229-01-000	DRAINAGE SYSTEM INSTL		
SCALE:	NONE	NO SCALE RECORDING		
SHEET	1 OF 4	REV		
NO.	133750			

(X-X)  
 FOR DRAINAGE CALLOUTS SEE DWG NO. 116229-01-000



SINK  
96927-01-CHT  
SEAL  
91255-02-000 (A/R)

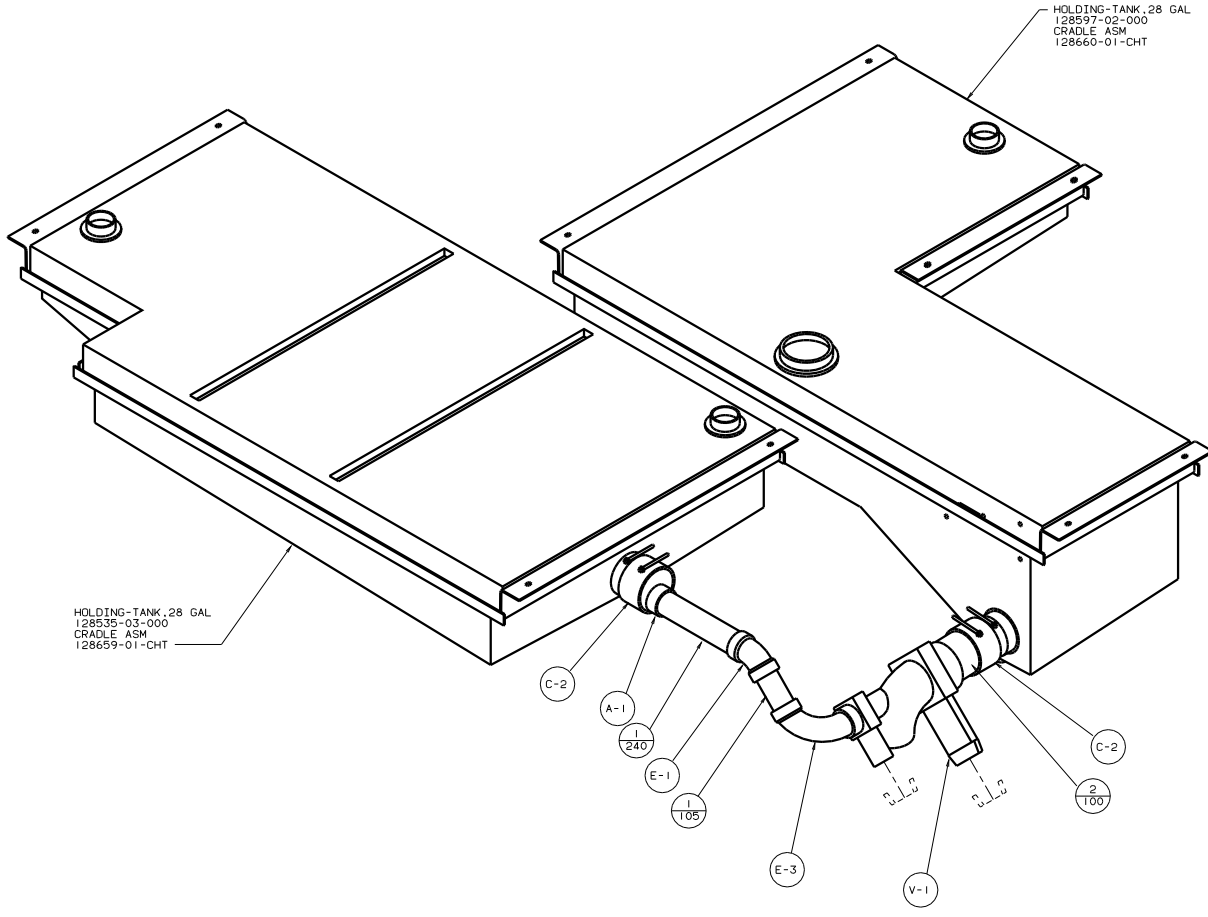
TOILET-AQUA MAGIC  
131932-01-CHT  
(HAND FLUSH)  
131932-02-CHT  
(FOOT FLUSH)

SPACER-TOILET  
131786-02-CHT

DETAIL A

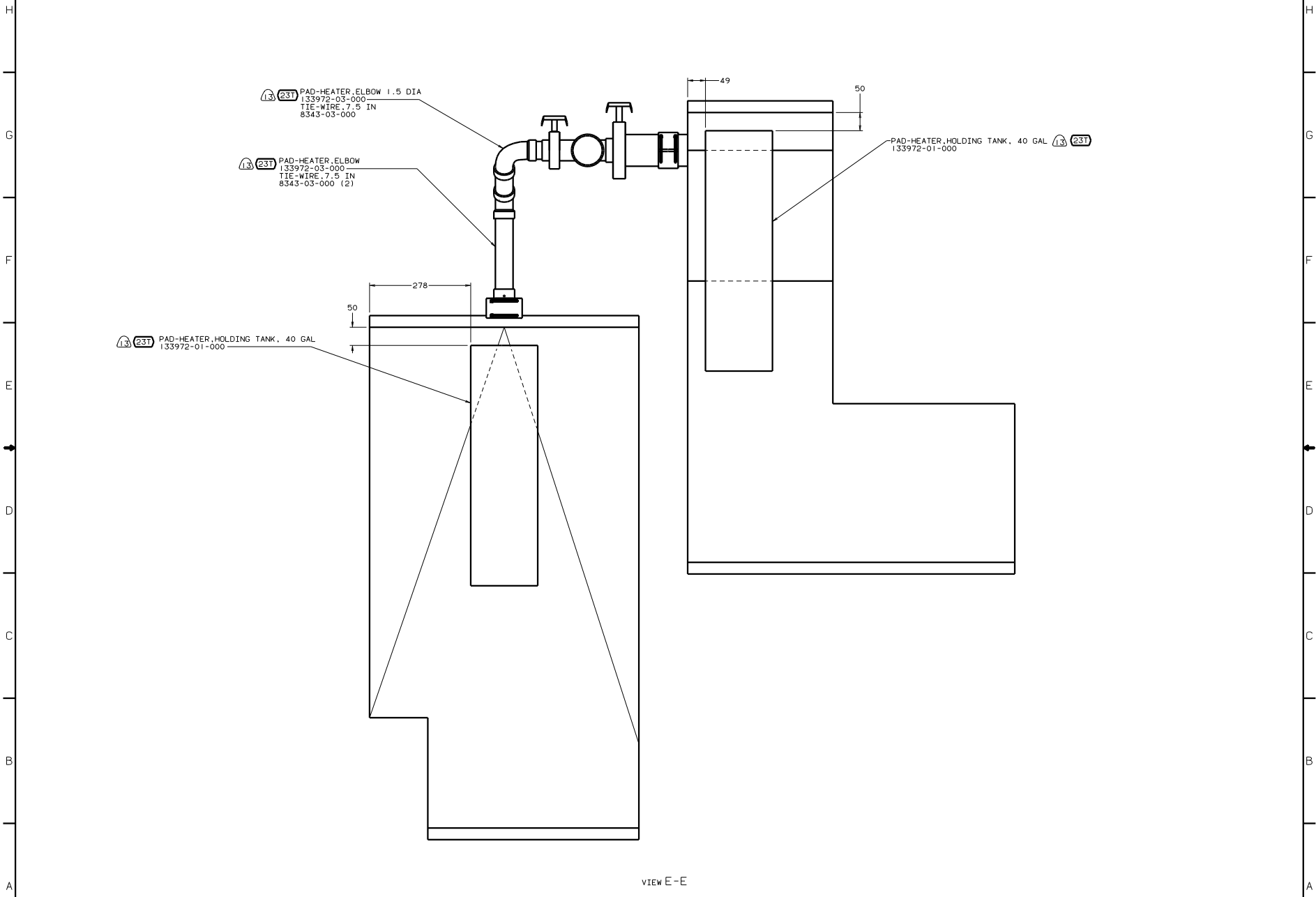
00 327P

TITLE: DRAINAGE SYSTEM INSTL	
NO. OF SHEETS: 4	SHEET NO: 2
DATE: 11/05	REV: 1
133750	



00 327P

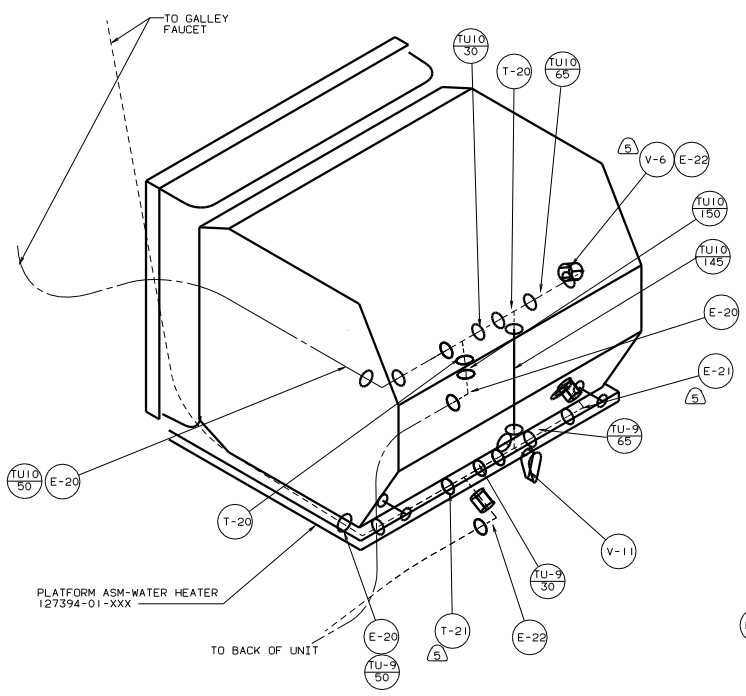
TITLE: DRAINAGE SYSTEM INSL		FIG. NO. 133750	
NO. OF SHEETS	OF	SHEET	NO.
3	OF	4	



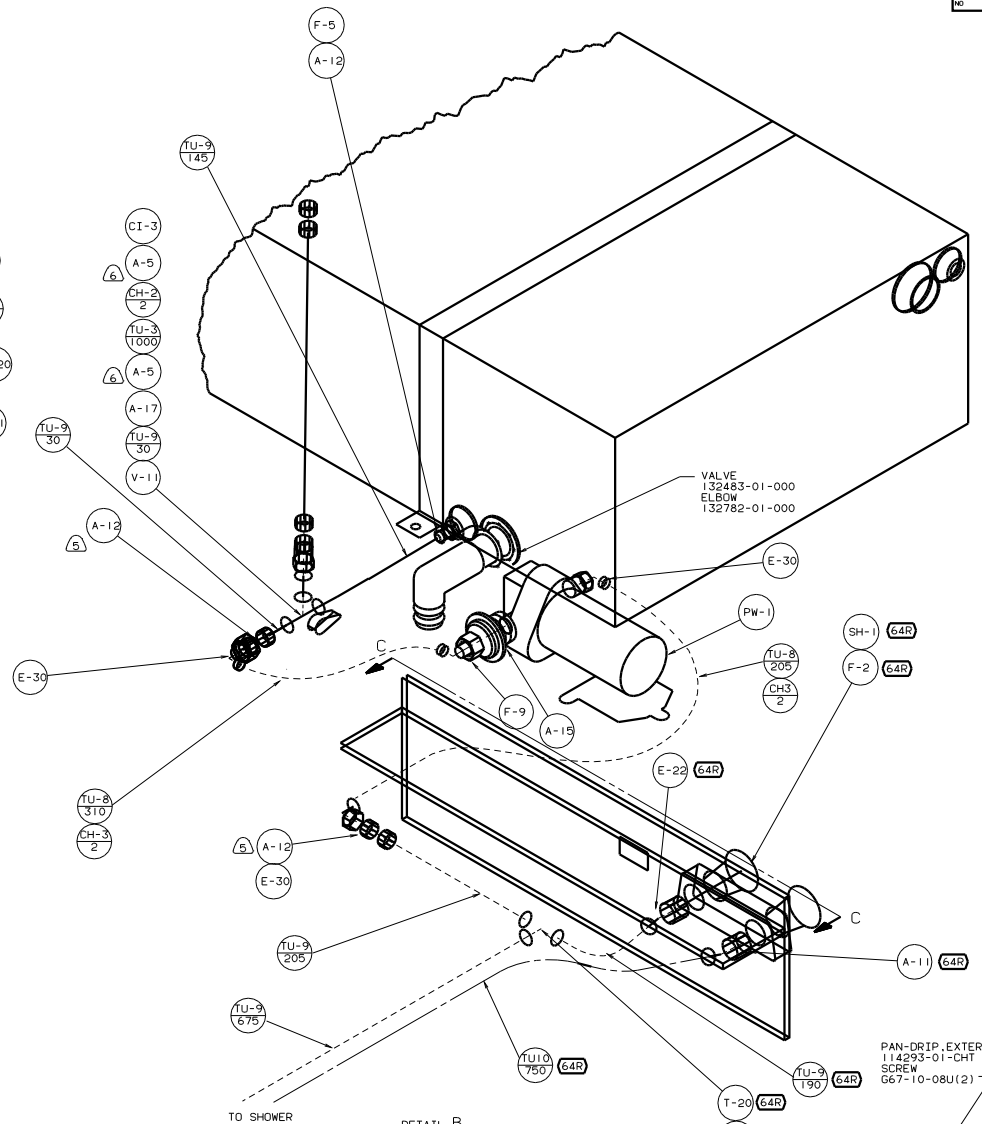
00 327P

TITLE: DRAINAGE SYSTEM INSL	
DATE: 133750	FIG. NO: 1
SHEET 4 OF 4	FIG. NO: 133750

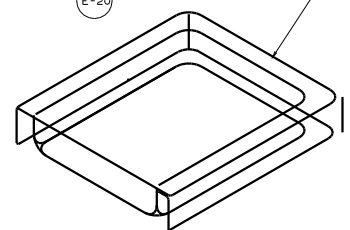




DETAIL A



DETAIL B  
(44V)



00 327P

TITLE		WATER SYSTEM INSTL	
30	NO SCALE DRAWING	1/2	1.0
SHEET 2 OF 3		133780	

