

- (13) SEE WIRING INSTL-BODY, 12V FOR ELECTRICAL CONNECTIONS.
 - (14) SECURE PIPES TO CABINETS USING WIRE TIE 108046-02-000 AND SCREW G67-10-12U (8).
 - (1) NOT USED WITH 43F SHOWER SURROUND.
 - (10) SECURE DRAIN TUBES TO FLOOR.
 - (9) VENT PIPE MUST PROJECT 51 MM MIN AND 64 MM MAX ABOVE ROOF FOR PROPER FIT AND FUNCTION.
 - (8) SEE DWG 61607-01-000 FOR INSTL OF GROMMETS.
 - (7) SEAL ALL AROUND SHOWER WITH SILICONE 78474-01-CHT.
6. FOR CANADIAN UNITS EACH HOLDING TANK SHALL HAVE A CSA APPROVAL STAMPED NEAR THE IAMPO APPROVAL.
 5. EXPOSED PIPE ABOVE ROOF TO BE PAINTED WITH 37163-01-000.
 4. ALL EXTERIOR OPENINGS AROUND PIPE TO BE SEALED WITH 11074-01-000.
 3. ALL PIPE AND FITTINGS TO BE ASSEMBLED WITH SOLVENT 4020-01-000.
 2. SLOPE OF TRAP ARM MUST BE 6 PER 305.
 1. SLOPE OF HORIZONTAL PIPING TO BE 6 PER 305 MIN.
- NOTES:

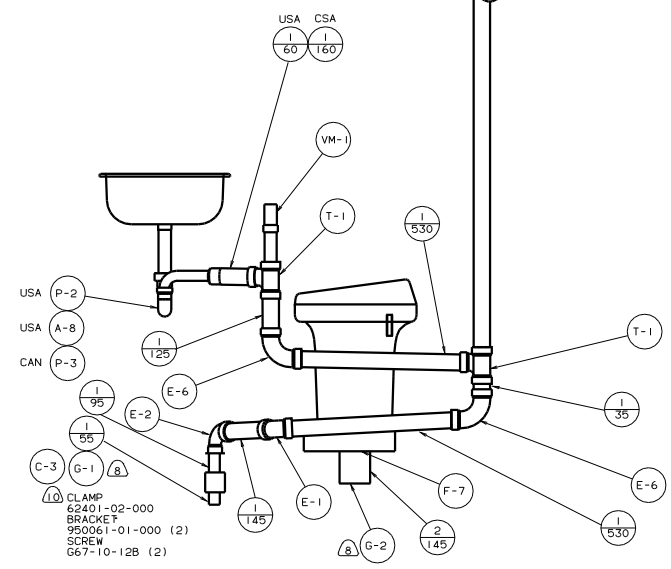
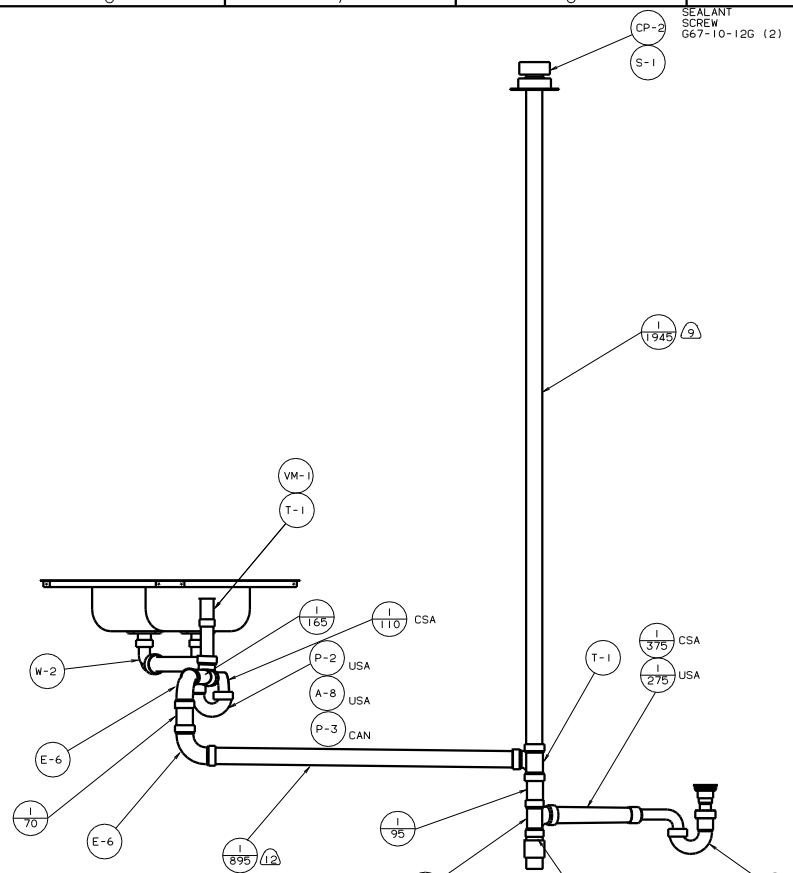
(23) HEATED HOLDING TANKS-PACKAGE
 (4.3F) SHOWER SURROUND



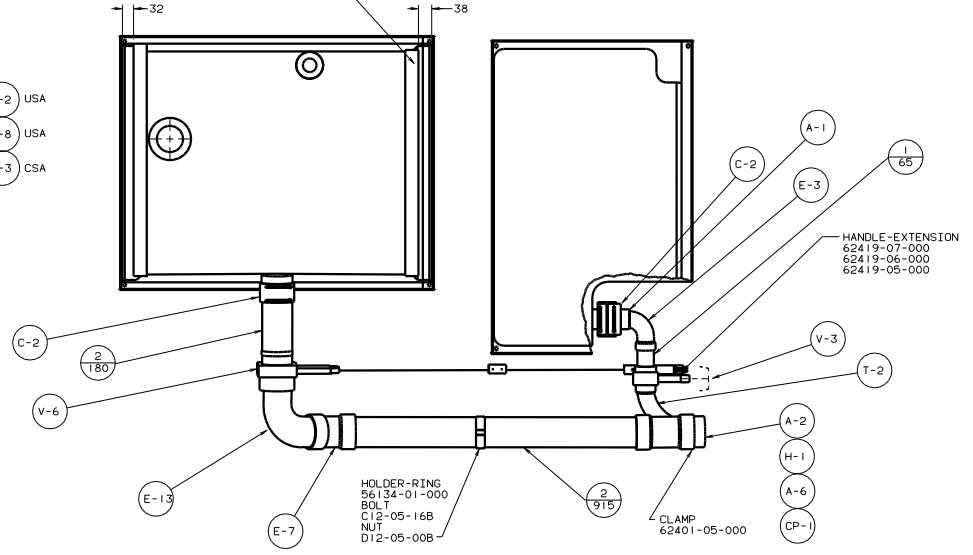
FOR DRAINAGE CALLOUTS SEE DWG NO. 116229-01-000

PART NO.		DATE		UNDESIGNED TOLERANCES ARE:		INTERVAL:	
DRWD		DATE		WHOLE DIM (H)	+	0	
DTE		DATE		ONE-PLACE (H, H1)	-	0	
WTE		DATE		TWO-PLACE (H, H1)	-	0	
DATE		DATE		ANGLE	-	0	
DRWD		DATE		THIRD PLACE	-	0	
LARGE 322R		FILE:		TO DIM SCALE (INDICATED)		TEXT NO	
NO.		NO.		SHEET 1 OF 3		NO	
WINNEBAGO				00 322R			
DRAINAGE SYSTEM INSTL				131915			

SEALANT
SCREW
G67-10-126 (2)

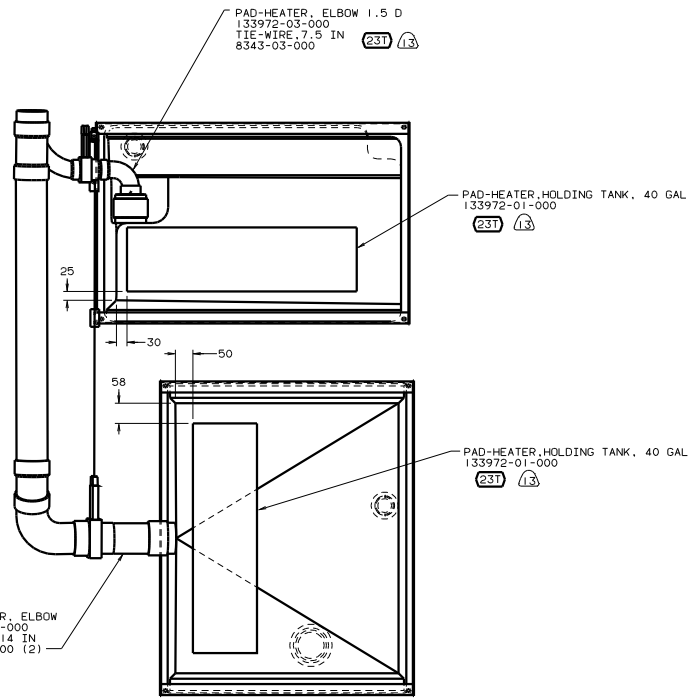


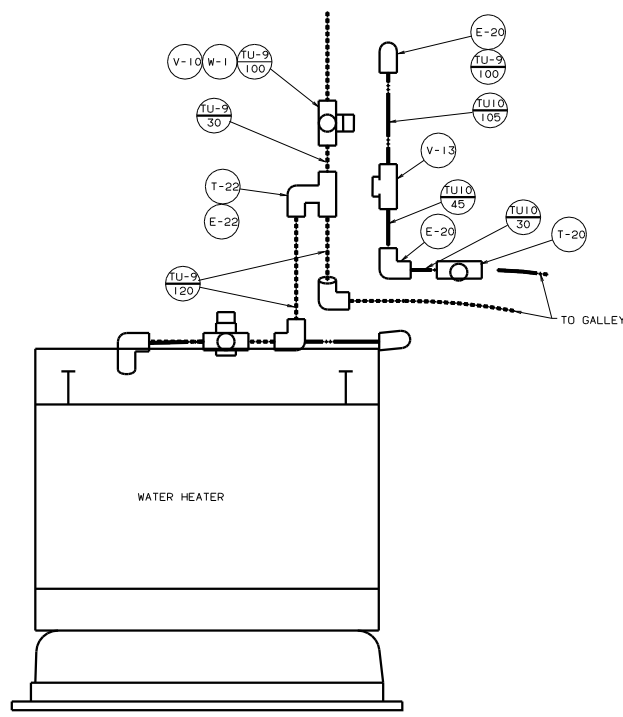
EXTR TUBE
64240-51-046 (2)
(38 X 38 X 650)



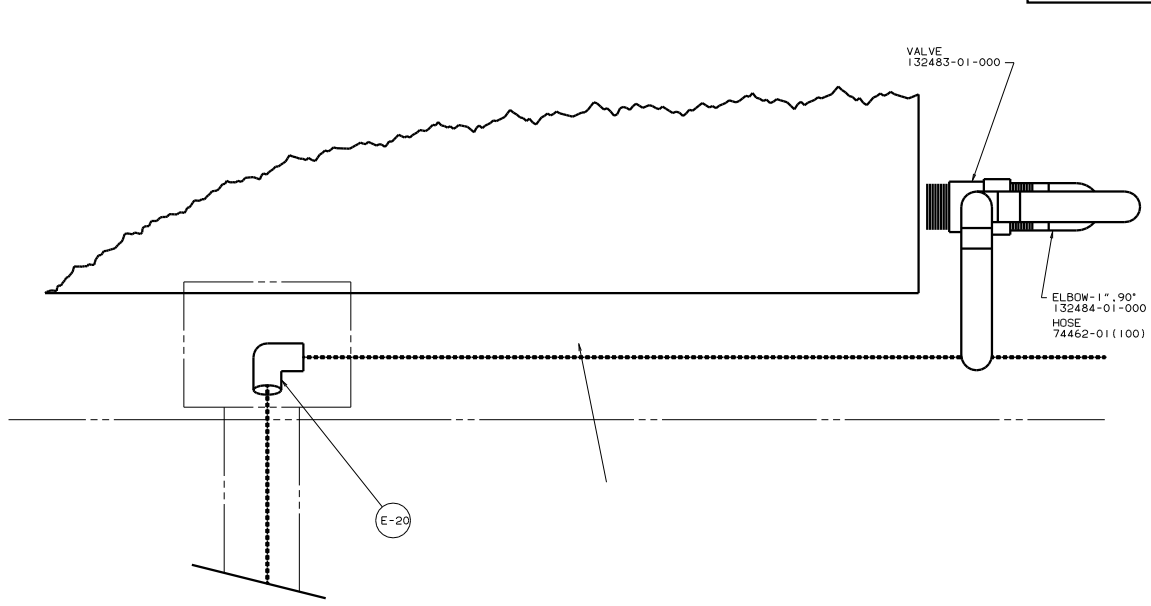
CLAMP
62401-02-000
BRACKET
95061-01-000 (2)
SCREW
G67-10-126 (2)

HOLDER-RING
56134-01-000
BOLT
C12-05-16B
NUT
D12-05-00B

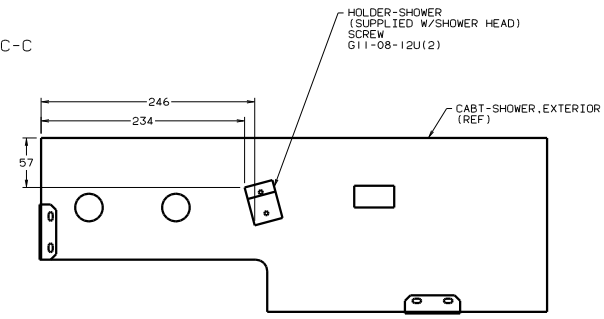




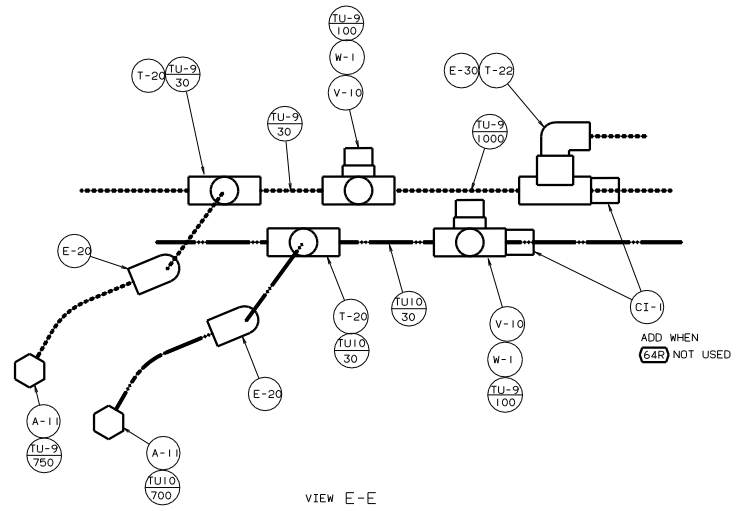
VIEW B-B



VIEW C-C

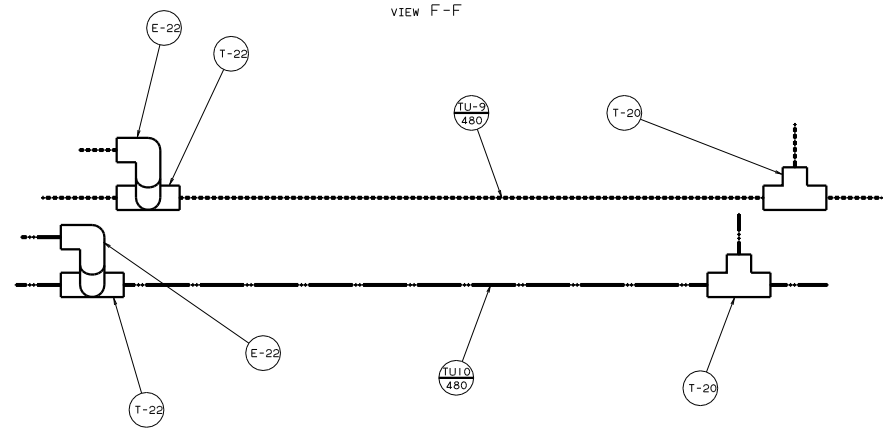


VIEW F-F



VIEW E-E

ADD WHEN
64R NOT USED



VIEW D-D

00 322R

TITLE		WATER SYSTEM INSTL	
NO	SCALE	REV	DATE
1		1	11/01
SHEET 2 OF 2		131957	