

SINK  
10255-01-000  
STRAINER  
92303-01-000 (2)  
SEAL  
92155-02-000 (A/R)  
ANGLE-SINK\_RETAINER  
105497-01-000 (2)  
105497-02-000 (2)  
SCREW  
G67-10-12G (22)

CP-2  
S-1  
SEALANT  
SCREW  
G67-10-12G (6)

CRADLE ASM (FORD)  
56076-36-000  
CRADLE ASM (CHEVY)  
56076-22-000  
BOLT  
65115-04-000 (4)  
NUT  
D39-05-00B (4)

TANK-HOLDING  
74861-12-000

EXTR-TUBE  
64241-51-005 (2)

EXTR-TUBE  
64241-51-005

TANK-HOLDING  
74870-09-000

EXTR-TUBE  
64241-51-004

CP-2  
S-1  
SEALANT  
SCREW  
G67-10-12G (6)

A-1

C-2

E-3

I 680

E-1

BRACKET  
109695-03-000  
SCREW  
G39-10-12B (2)  
G11-10-16B (2)  
BRACKET  
76827-02-000

HANDLE-EXTENSION  
52419-05-000  
62419-06-000  
62419-07-000

VALVE ASM  
72346-01-000

A-2

H-1

CP-1

CRADLE ASM  
74877-01-000  
BOLT  
65115-04-000 (5)  
NUT  
D39-05-00B (5)

W-2

USA P-2

CSA P-3

A-8 USA

E-3

I 190

T-1

SHOWER PAN  
104465-01-CHT  
SHOWER INSTL-ENCLOSURE  
104466-01-000  
SEALANT  
TAILPIECE  
11069-02-000  
NUT  
130403-01-000  
WASHER-RUBBER  
127440-02-CHT  
STRAINER  
66440-01-000

STRAP  
8406-01-000

I 43F

I 420

USA CSA  
I 320 I 350

T-1

C-3

I 75

BRACKET-PIPE\_VENT  
95061-01-000 (2)  
CLAMP-HOSE  
62401-02-000  
SCREW  
G67-10-12B (2)

I 55

G-1

A-8 USA

P-2 USA  
P-3 CSA

DETAIL A

A-8 USA

E-1

SINK  
96927-01-CHT  
SEAL  
91255-02-000 (A/R)

P-2 USA  
P-3 CSA

I 400

I 220

T-1

I 200

E-1

I 125 I 450  
USA CSA

E-6

I 470

BRACKET-PIPE\_VENT  
95061-01-000 (2)  
CLAMP-HOSE  
62401-02-000  
SCREW  
G67-10-12B (2)

DETAIL B

TOILET-HIGH  
131932-01-CHT (HAND FLUSH)  
131932-02-CHT (FOOT FLUSH)

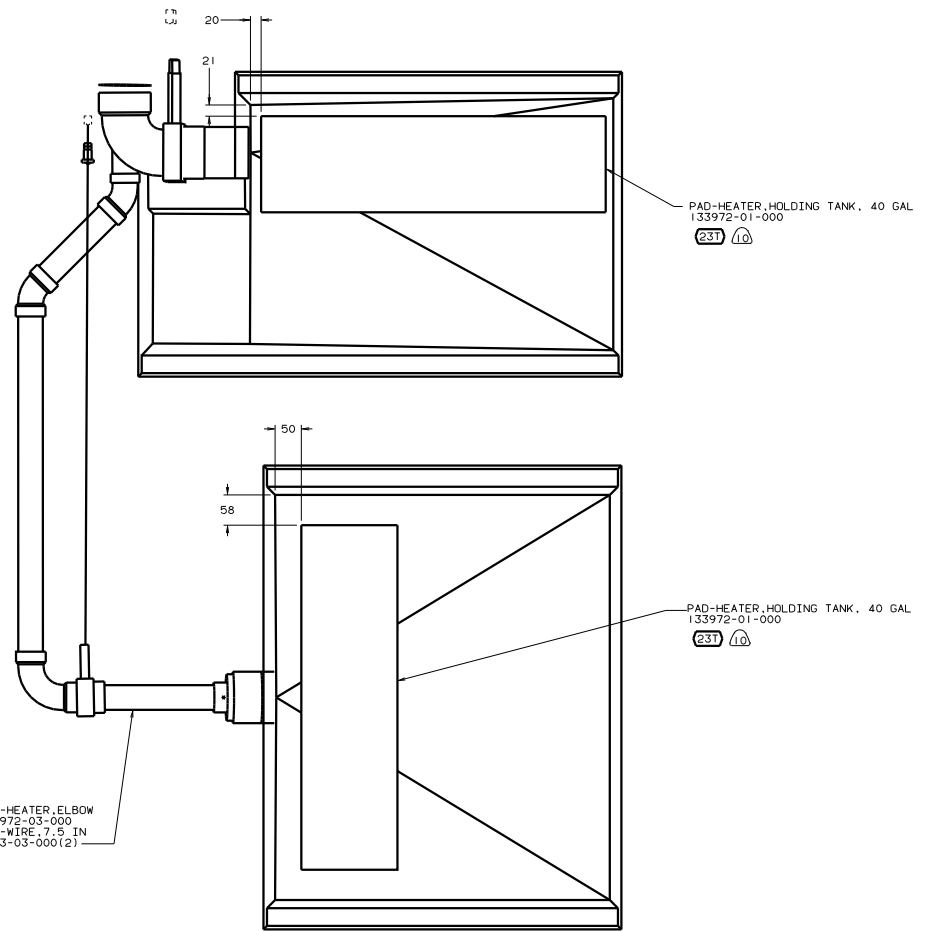
F-7

SPACER-TOILET  
131786-02-CHT  
SCREW  
G57-14-64B (8)

I 160

G-2

DETAIL D



VIEW E-E

00 322E

TITLE: DRAINAGE SYSTEM INSTL	
DATE: 11/11/05	FIG. NO: 1.1
SHEET 3 OF 3	134101

