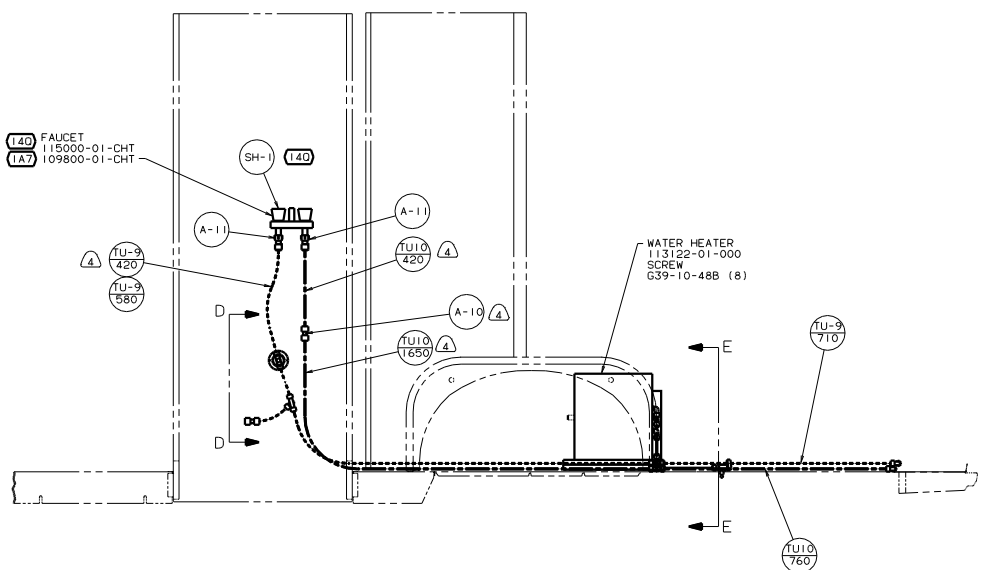


VIEW D-D



- NOT REQUIRED WITH EXTERIOR SHOWER.
- ALL TUBING TO BE SECURED AT 1200 INTERVALS MAXIMUM WITH CLAMP 10495-01-000 OR CLIP 91951-01-000 AND SCREW G67-10-12B.
  - TUBING TO BE INSTALLED WITH SUFFICIENT SLOPE TO PROVIDE DRAINAGE TO NEAREST VALVE.
  - PLASTIC FITTINGS TO BE SEALED WITH SEALANT 84456-01-000.

X-X	FOR WATER CALLOUTS SEE DWG NO. 116230-01-000	LEGEND	
		HOT	-----
		COLD	-----

- 64R EXTERIOR WASH STATION
- 1A7 SHOWER PACKAGE-WITHOUT
- 140 SHOWER PACKAGE

WINNEBAGO		00 22200
DATE	UNDESIGNED TOLERANCES ARE:	MATERIAL
DATE	WHOLE DIM (IN)	F
DATE	ONE-PLACE (IN.XI)	.
DATE	TWO-PLACE (IN.XX)	.
DATE	THREE-PLACE (IN.XXX)	.
DATE	ANGLE	
DATE	INDUS. WELD	
DATE	PROTECTION	
LAYOUT NO. 22200	TITLE WATER SYSTEM INSTL	
DWG #	SCALE	NOTE
1	1:1	NO NET SCALE REQUIRED
ALL DIMENSIONS ARE IN MILLIMETERS	SHEET 1 OF 2	DWG NO. 133334

