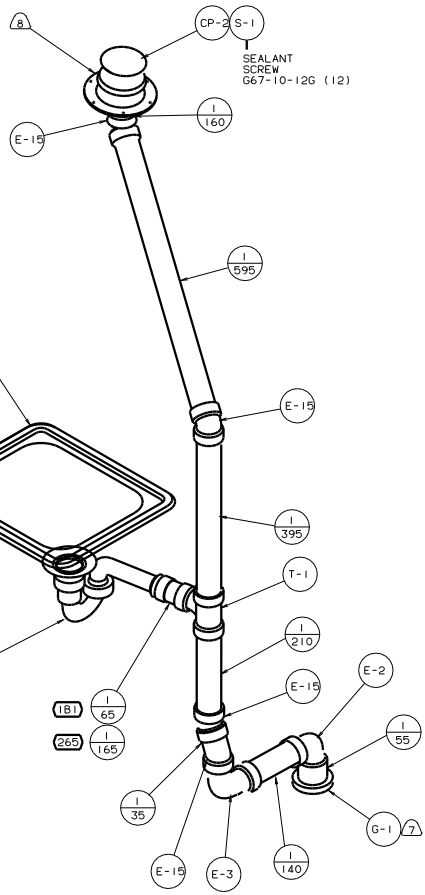
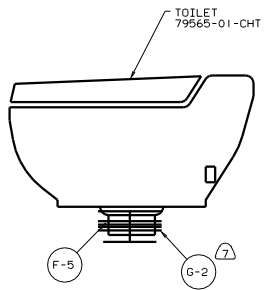


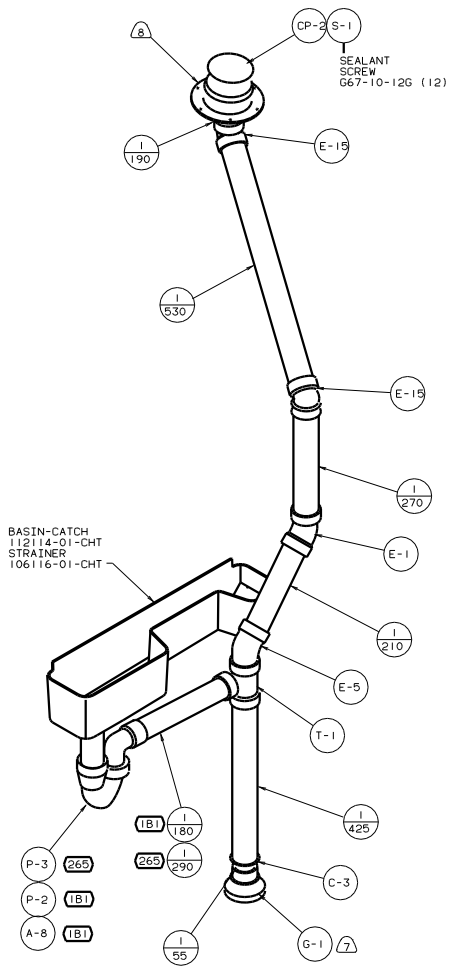
SINK
 11029-03-000
 STRAINER
 66437-02-000
 SEALER
 69640-03-000
 TAILPIECE
 11069-03-000
 ANGLE
 107659-01-000(12)
 SCREW
 667-10-16B(8)



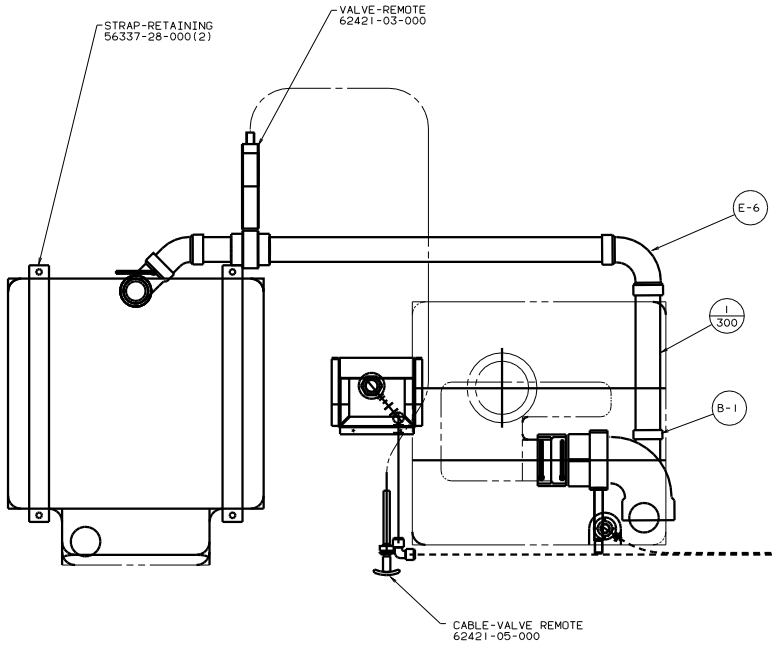
DETAIL A



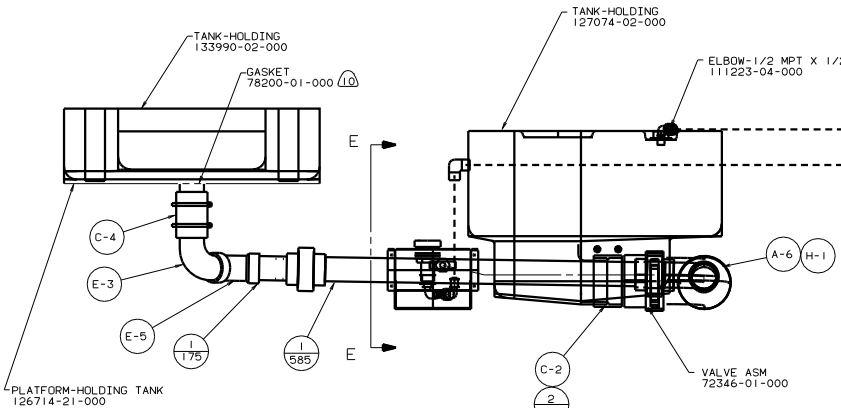
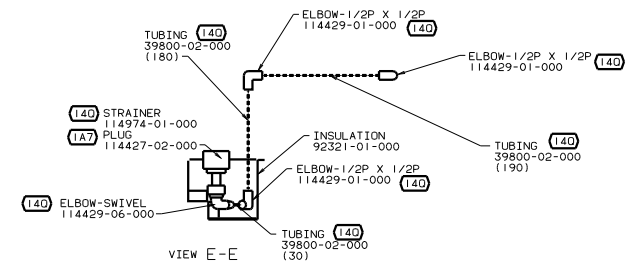
DETAIL B



DETAIL C



VIEW D-D



VIEW F-F

