

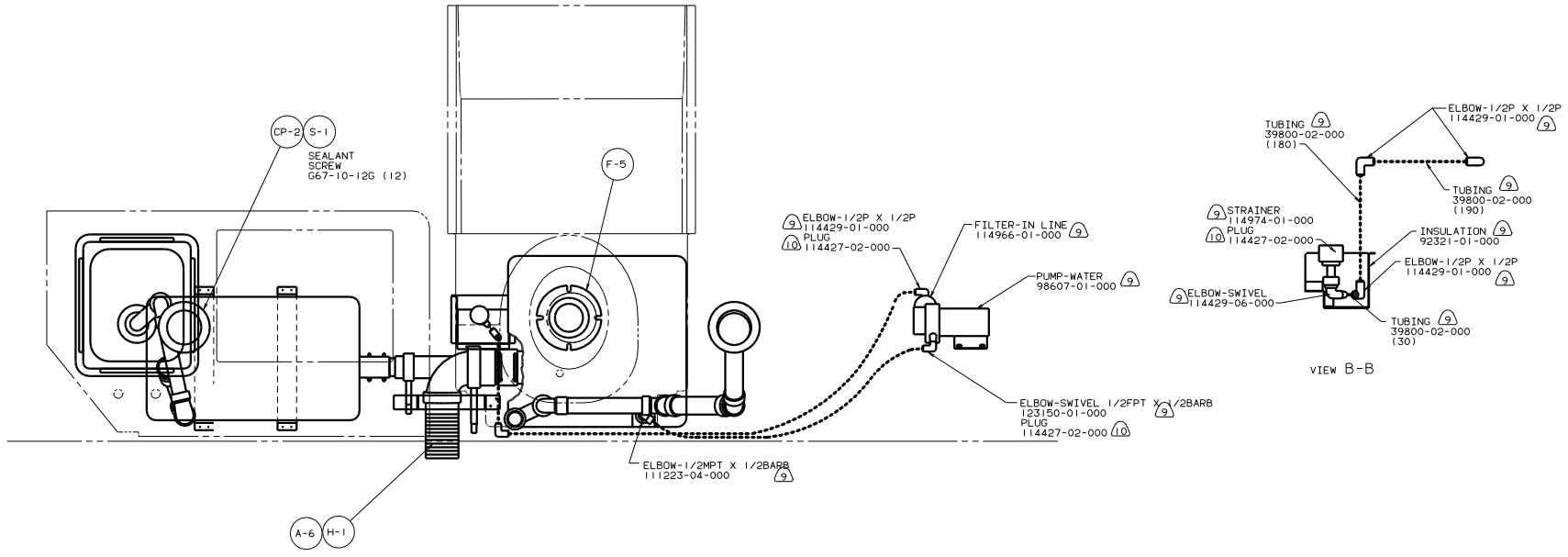
- 5. EXPOSED PIPE ABOVE ROOF TO BE PAINTED 37163-01-000.
 - 4. ALL EXTERIOR OPENINGS AROUND PIPE TO BE SEALED WITH 69637-01-000.
 - 3. ALL PIPE AND FITTINGS TO BE ASSEMBLED WITH SOLVENT 4020-01-000.
 - 2. SLOPE OF TRAP ARM MUST BE 6 PER 305.
 - 1. SLOPE OF HORIZONTAL PIPING TO BE 6 PER 305 MIN.
- (10) 1A7 SHOWER PACKAGE WITHOUT.
 - (9) 1A0 SHOWER PACKAGE.
 - (8) VENT PIPE MUST PROJECT 51 MM MIN AND 63.5 MM MAX ABOVE ROOF FOR PROPER FIT AND FUNCTION.
 - (7) SEE DWG 61607-01-000 FOR INSTALLATION OF GROMMET.
 - 6. FOR CANADIAN UNITS EACH HOLDING TANK SHALL HAVE A CSA APPROVAL STAMPED NEAR THE TAMPO APPROVAL.

- 13. SECURE PIPES TO CABINET USING WIRE TIE 108046-02-000 AND SCREW G67-10-12U (8).
- (12) NOT USED ON CANADIAN UNIT.
- (11) USE SCRAP CLOSED CELL NEOPRENE FROM 77075-01-02 OR -03 ON BRACKETS FOR VIBRATION DAMPENING.

222RC/RT US/CANADIAN
 181 CODE STANDARDS-USA
 265 CODE STANDARDS-CSA

FOR DRAINAGE CALLOUTS SEE DWG NO. 116229-01-000

DRAWING NO. 2221R16		TITLE: DRAINAGE SYSTEM INSTL	
DATE	DATE	UNDESIGNED TOLERANCES ARE:	MATERIAL:
DATE	DATE	WHOLE DIM (1:1)	F
DATE	DATE	ONE-PLACE (1:1)	F
DATE	DATE	TWO-PLACE (1:1)	F
DATE	DATE	THREE-PLACE (1:1)	F
DATE	DATE	FOUR-PLACE (1:1)	F
DATE	DATE	FIVE-PLACE (1:1)	F
DATE	DATE	SIX-PLACE (1:1)	F
DATE	DATE	SEVEN-PLACE (1:1)	F
DATE	DATE	EIGHT-PLACE (1:1)	F
DATE	DATE	NINE-PLACE (1:1)	F
DATE	DATE	TEN-PLACE (1:1)	F
DATE	DATE	ELEVEN-PLACE (1:1)	F
DATE	DATE	TWELVE-PLACE (1:1)	F
DATE	DATE	THIRTEEN-PLACE (1:1)	F
DATE	DATE	FOURTEEN-PLACE (1:1)	F
DATE	DATE	FIFTEEN-PLACE (1:1)	F
DATE	DATE	SIXTEEN-PLACE (1:1)	F
DATE	DATE	SEVENTEEN-PLACE (1:1)	F
DATE	DATE	EIGHTEEN-PLACE (1:1)	F
DATE	DATE	NINETEEN-PLACE (1:1)	F
DATE	DATE	TWENTY-PLACE (1:1)	F
DATE	DATE	TWENTY-ONE PLACE (1:1)	F
DATE	DATE	TWENTY-TWO PLACE (1:1)	F
DATE	DATE	TWENTY-THREE PLACE (1:1)	F
DATE	DATE	TWENTY-FOUR PLACE (1:1)	F
DATE	DATE	TWENTY-FIVE PLACE (1:1)	F
DATE	DATE	TWENTY-SIX PLACE (1:1)	F
DATE	DATE	TWENTY-SEVEN PLACE (1:1)	F
DATE	DATE	TWENTY-EIGHT PLACE (1:1)	F
DATE	DATE	TWENTY-NINE PLACE (1:1)	F
DATE	DATE	THIRTY PLACE (1:1)	F
DATE	DATE	THIRTY-ONE PLACE (1:1)	F
DATE	DATE	THIRTY-TWO PLACE (1:1)	F
DATE	DATE	THIRTY-THREE PLACE (1:1)	F
DATE	DATE	THIRTY-FOUR PLACE (1:1)	F
DATE	DATE	THIRTY-FIVE PLACE (1:1)	F
DATE	DATE	THIRTY-SIX PLACE (1:1)	F
DATE	DATE	THIRTY-SEVEN PLACE (1:1)	F
DATE	DATE	THIRTY-EIGHT PLACE (1:1)	F
DATE	DATE	THIRTY-NINE PLACE (1:1)	F
DATE	DATE	FOURTY PLACE (1:1)	F
DATE	DATE	FOURTY-ONE PLACE (1:1)	F
DATE	DATE	FOURTY-TWO PLACE (1:1)	F
DATE	DATE	FOURTY-THREE PLACE (1:1)	F
DATE	DATE	FOURTY-FOUR PLACE (1:1)	F
DATE	DATE	FOURTY-FIVE PLACE (1:1)	F
DATE	DATE	FOURTY-SIX PLACE (1:1)	F
DATE	DATE	FOURTY-SEVEN PLACE (1:1)	F
DATE	DATE	FOURTY-EIGHT PLACE (1:1)	F
DATE	DATE	FOURTY-NINE PLACE (1:1)	F
DATE	DATE	FIFTY PLACE (1:1)	F
DATE	DATE	FIFTY-ONE PLACE (1:1)	F
DATE	DATE	FIFTY-TWO PLACE (1:1)	F
DATE	DATE	FIFTY-THREE PLACE (1:1)	F
DATE	DATE	FIFTY-FOUR PLACE (1:1)	F
DATE	DATE	FIFTY-FIVE PLACE (1:1)	F
DATE	DATE	FIFTY-SIX PLACE (1:1)	F
DATE	DATE	FIFTY-SEVEN PLACE (1:1)	F
DATE	DATE	FIFTY-EIGHT PLACE (1:1)	F
DATE	DATE	FIFTY-NINE PLACE (1:1)	F
DATE	DATE	SIXTY PLACE (1:1)	F
DATE	DATE	SIXTY-ONE PLACE (1:1)	F
DATE	DATE	SIXTY-TWO PLACE (1:1)	F
DATE	DATE	SIXTY-THREE PLACE (1:1)	F
DATE	DATE	SIXTY-FOUR PLACE (1:1)	F
DATE	DATE	SIXTY-FIVE PLACE (1:1)	F
DATE	DATE	SIXTY-SIX PLACE (1:1)	F
DATE	DATE	SIXTY-SEVEN PLACE (1:1)	F
DATE	DATE	SIXTY-EIGHT PLACE (1:1)	F
DATE	DATE	SIXTY-NINE PLACE (1:1)	F
DATE	DATE	SEVENTY PLACE (1:1)	F
DATE	DATE	SEVENTY-ONE PLACE (1:1)	F
DATE	DATE	SEVENTY-TWO PLACE (1:1)	F
DATE	DATE	SEVENTY-THREE PLACE (1:1)	F
DATE	DATE	SEVENTY-FOUR PLACE (1:1)	F
DATE	DATE	SEVENTY-FIVE PLACE (1:1)	F
DATE	DATE	SEVENTY-SIX PLACE (1:1)	F
DATE	DATE	SEVENTY-SEVEN PLACE (1:1)	F
DATE	DATE	SEVENTY-EIGHT PLACE (1:1)	F
DATE	DATE	SEVENTY-NINE PLACE (1:1)	F
DATE	DATE	EIGHTY PLACE (1:1)	F
DATE	DATE	EIGHTY-ONE PLACE (1:1)	F
DATE	DATE	EIGHTY-TWO PLACE (1:1)	F
DATE	DATE	EIGHTY-THREE PLACE (1:1)	F
DATE	DATE	EIGHTY-FOUR PLACE (1:1)	F
DATE	DATE	EIGHTY-FIVE PLACE (1:1)	F
DATE	DATE	EIGHTY-SIX PLACE (1:1)	F
DATE	DATE	EIGHTY-SEVEN PLACE (1:1)	F
DATE	DATE	EIGHTY-EIGHT PLACE (1:1)	F
DATE	DATE	EIGHTY-NINE PLACE (1:1)	F
DATE	DATE	NINETY PLACE (1:1)	F
DATE	DATE	NINETY-ONE PLACE (1:1)	F
DATE	DATE	NINETY-TWO PLACE (1:1)	F
DATE	DATE	NINETY-THREE PLACE (1:1)	F
DATE	DATE	NINETY-FOUR PLACE (1:1)	F
DATE	DATE	NINETY-FIVE PLACE (1:1)	F
DATE	DATE	NINETY-SIX PLACE (1:1)	F
DATE	DATE	NINETY-SEVEN PLACE (1:1)	F
DATE	DATE	NINETY-EIGHT PLACE (1:1)	F
DATE	DATE	NINETY-NINE PLACE (1:1)	F
DATE	DATE	HUNDRED PLACE (1:1)	F



VIEW A-A

VIEW B-B

WATER HEATER
113122-01-000
SCREW
639-10-48B (8)

FITTING
90338-03-000
HOSE
7108-02-000 (400)
CLAMP
62401-04-000

ELBOW
132484-01-000

VALVE
132483-01-000

CH-1 TUBE
74462-01-000
2 (100)

ELBOW
132781-01-000

DETAIL B

COMPARTMENT ASM-SHOWER EXT
106217-04-XXX
SHOWER HEAD W/60" HOSE
103092-05-000
103092-06-000
EXTR
2724-51-005(2)
SCREW
639-08-12B(4)

VIEW A-A

VIEW C-C (64R)
WITH EXTERIOR SHOWER

00 222FD

TITLE		WATER SYSTEM INSTL	
30	NO	SCALE	DATE
2	OF 2	1:1	133333