



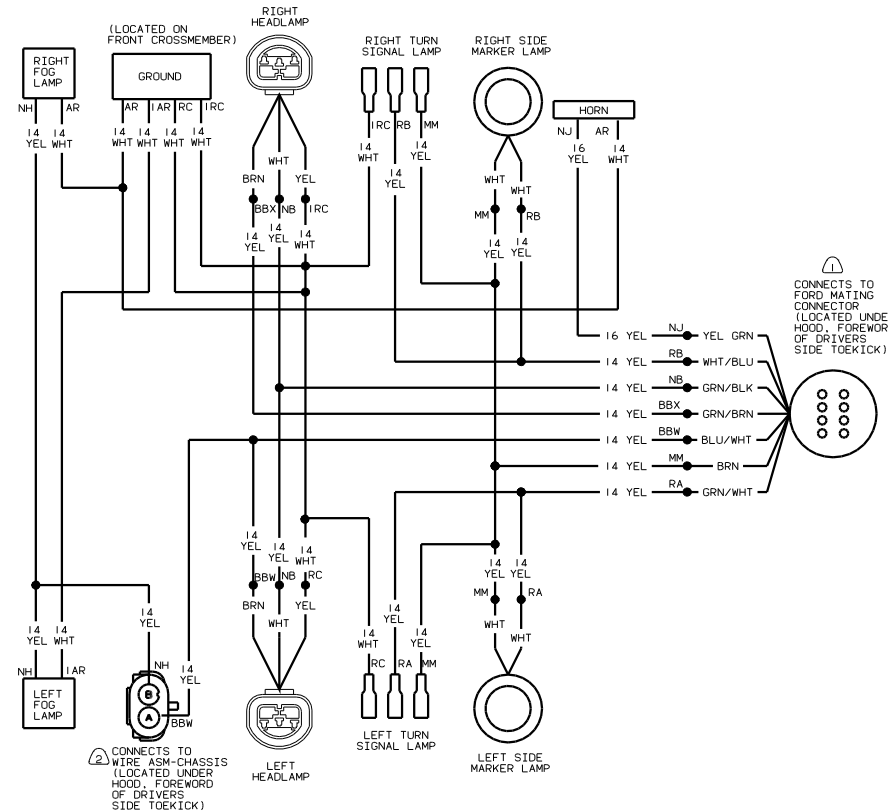
**DANGER**

**Danger of electrical shock, burns or death.** Always remove all power sources before attempting any repair, service or diagnostic work. Power can be present from shore power, generator, inverter or battery. All power sources must be disabled and secured before performing any service.



**CAUTION**

If you lack the skills, tools or equipment to perform diagnostic or repair work leave such work to an authorized Winnebago Industries dealer or other qualified shop.



WIRING DIAGRAM-HEADLAMP  
 (FORD CHASSIS)  
 (WIRE ASM 126816-04)

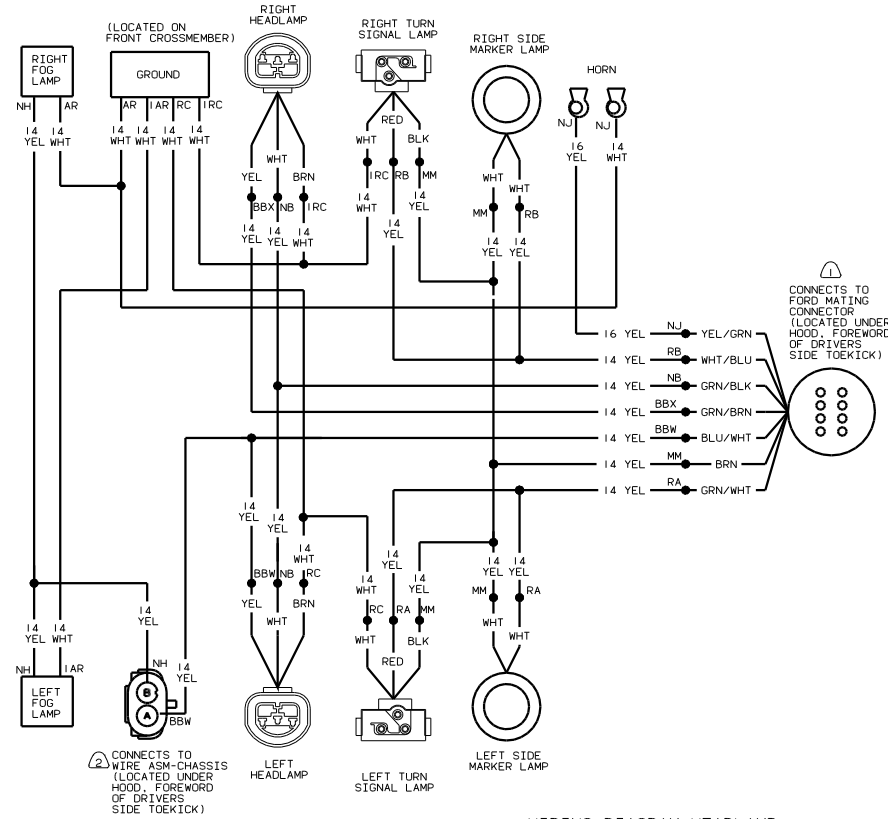
② CONNECTS TO WIRE ASM-CHASSIS (LOCATED UNDER HOOD, FOREWORD OF DRIVERS SIDE TOEKICK)

① CONNECTS TO FORD MATING CONNECTOR (LOCATED UNDER HOOD, FOREWORD OF DRIVERS SIDE TOEKICK)

② SEE WIRING DIAGRAM-BODY FOR ADDITIONAL INFORMATION.  
 ① SEE MANUFACTURER'S DIAGRAM FOR ADDITIONAL INFORMATION.

WINNEBAGO

WINNEBAGO		OO L-SERIES	
OF IN	DATE	UNSPECIFIED TOLERANCES ARE:	MATERIAL
CHP	DATE	HALF DIM IN	
D/E	DATE	ONE-PLACE IN IN	
D/E	DATE	TWO-PLACE IN IN	
D/E	DATE	THREE-PLACE IN IN	
D/E	DATE	FOUR-PLACE IN IN	
D/E	DATE	FIVE-PLACE IN IN	
D/E	DATE	SIX-PLACE IN IN	
D/E	DATE	SEVEN-PLACE IN IN	
D/E	DATE	EIGHT-PLACE IN IN	
D/E	DATE	NINE-PLACE IN IN	
D/E	DATE	TEN-PLACE IN IN	
D/E	DATE	ELEVEN-PLACE IN IN	
D/E	DATE	TWELVE-PLACE IN IN	
D/E	DATE	THIRTEEN-PLACE IN IN	
D/E	DATE	FOURTEEN-PLACE IN IN	
D/E	DATE	FIFTEEN-PLACE IN IN	
D/E	DATE	SIXTEEN-PLACE IN IN	
D/E	DATE	SEVENTEEN-PLACE IN IN	
D/E	DATE	EIGHTEEN-PLACE IN IN	
D/E	DATE	NINETEEN-PLACE IN IN	
D/E	DATE	TWENTY-PLACE IN IN	
D/E	DATE	TWENTY-ONE PLACE IN IN	
D/E	DATE	TWENTY-TWO PLACE IN IN	
D/E	DATE	TWENTY-THREE PLACE IN IN	
D/E	DATE	TWENTY-FOUR PLACE IN IN	
D/E	DATE	TWENTY-FIVE PLACE IN IN	
D/E	DATE	TWENTY-SIX PLACE IN IN	
D/E	DATE	TWENTY-SEVEN PLACE IN IN	
D/E	DATE	TWENTY-EIGHT PLACE IN IN	
D/E	DATE	TWENTY-NINE PLACE IN IN	
D/E	DATE	THIRTY PLACE IN IN	
D/E	DATE	THIRTY-ONE PLACE IN IN	
D/E	DATE	THIRTY-TWO PLACE IN IN	
D/E	DATE	THIRTY-THREE PLACE IN IN	
D/E	DATE	THIRTY-FOUR PLACE IN IN	
D/E	DATE	THIRTY-FIVE PLACE IN IN	
D/E	DATE	THIRTY-SIX PLACE IN IN	
D/E	DATE	THIRTY-SEVEN PLACE IN IN	
D/E	DATE	THIRTY-EIGHT PLACE IN IN	
D/E	DATE	THIRTY-NINE PLACE IN IN	
D/E	DATE	FORTY PLACE IN IN	
D/E	DATE	FORTY-ONE PLACE IN IN	
D/E	DATE	FORTY-TWO PLACE IN IN	
D/E	DATE	FORTY-THREE PLACE IN IN	
D/E	DATE	FORTY-FOUR PLACE IN IN	
D/E	DATE	FORTY-FIVE PLACE IN IN	
D/E	DATE	FORTY-SIX PLACE IN IN	
D/E	DATE	FORTY-SEVEN PLACE IN IN	
D/E	DATE	FORTY-EIGHT PLACE IN IN	
D/E	DATE	FORTY-NINE PLACE IN IN	
D/E	DATE	FIFTY PLACE IN IN	
D/E	DATE	FIFTY-ONE PLACE IN IN	
D/E	DATE	FIFTY-TWO PLACE IN IN	
D/E	DATE	FIFTY-THREE PLACE IN IN	
D/E	DATE	FIFTY-FOUR PLACE IN IN	
D/E	DATE	FIFTY-FIVE PLACE IN IN	
D/E	DATE	FIFTY-SIX PLACE IN IN	
D/E	DATE	FIFTY-SEVEN PLACE IN IN	
D/E	DATE	FIFTY-EIGHT PLACE IN IN	
D/E	DATE	FIFTY-NINE PLACE IN IN	
D/E	DATE	SIXTY PLACE IN IN	
D/E	DATE	SIXTY-ONE PLACE IN IN	
D/E	DATE	SIXTY-TWO PLACE IN IN	
D/E	DATE	SIXTY-THREE PLACE IN IN	
D/E	DATE	SIXTY-FOUR PLACE IN IN	
D/E	DATE	SIXTY-FIVE PLACE IN IN	
D/E	DATE	SIXTY-SIX PLACE IN IN	
D/E	DATE	SIXTY-SEVEN PLACE IN IN	
D/E	DATE	SIXTY-EIGHT PLACE IN IN	
D/E	DATE	SIXTY-NINE PLACE IN IN	
D/E	DATE	SEVENTY PLACE IN IN	
D/E	DATE	SEVENTY-ONE PLACE IN IN	
D/E	DATE	SEVENTY-TWO PLACE IN IN	
D/E	DATE	SEVENTY-THREE PLACE IN IN	
D/E	DATE	SEVENTY-FOUR PLACE IN IN	
D/E	DATE	SEVENTY-FIVE PLACE IN IN	
D/E	DATE	SEVENTY-SIX PLACE IN IN	
D/E	DATE	SEVENTY-SEVEN PLACE IN IN	
D/E	DATE	SEVENTY-EIGHT PLACE IN IN	
D/E	DATE	SEVENTY-NINE PLACE IN IN	
D/E	DATE	EIGHTY PLACE IN IN	
D/E	DATE	EIGHTY-ONE PLACE IN IN	
D/E	DATE	EIGHTY-TWO PLACE IN IN	
D/E	DATE	EIGHTY-THREE PLACE IN IN	
D/E	DATE	EIGHTY-FOUR PLACE IN IN	
D/E	DATE	EIGHTY-FIVE PLACE IN IN	
D/E	DATE	EIGHTY-SIX PLACE IN IN	
D/E	DATE	EIGHTY-SEVEN PLACE IN IN	
D/E	DATE	EIGHTY-EIGHT PLACE IN IN	
D/E	DATE	EIGHTY-NINE PLACE IN IN	
D/E	DATE	NINETY PLACE IN IN	
D/E	DATE	NINETY-ONE PLACE IN IN	
D/E	DATE	NINETY-TWO PLACE IN IN	
D/E	DATE	NINETY-THREE PLACE IN IN	
D/E	DATE	NINETY-FOUR PLACE IN IN	
D/E	DATE	NINETY-FIVE PLACE IN IN	
D/E	DATE	NINETY-SIX PLACE IN IN	
D/E	DATE	NINETY-SEVEN PLACE IN IN	
D/E	DATE	NINETY-EIGHT PLACE IN IN	
D/E	DATE	NINETY-NINE PLACE IN IN	
D/E	DATE	HUNDRED PLACE IN IN	

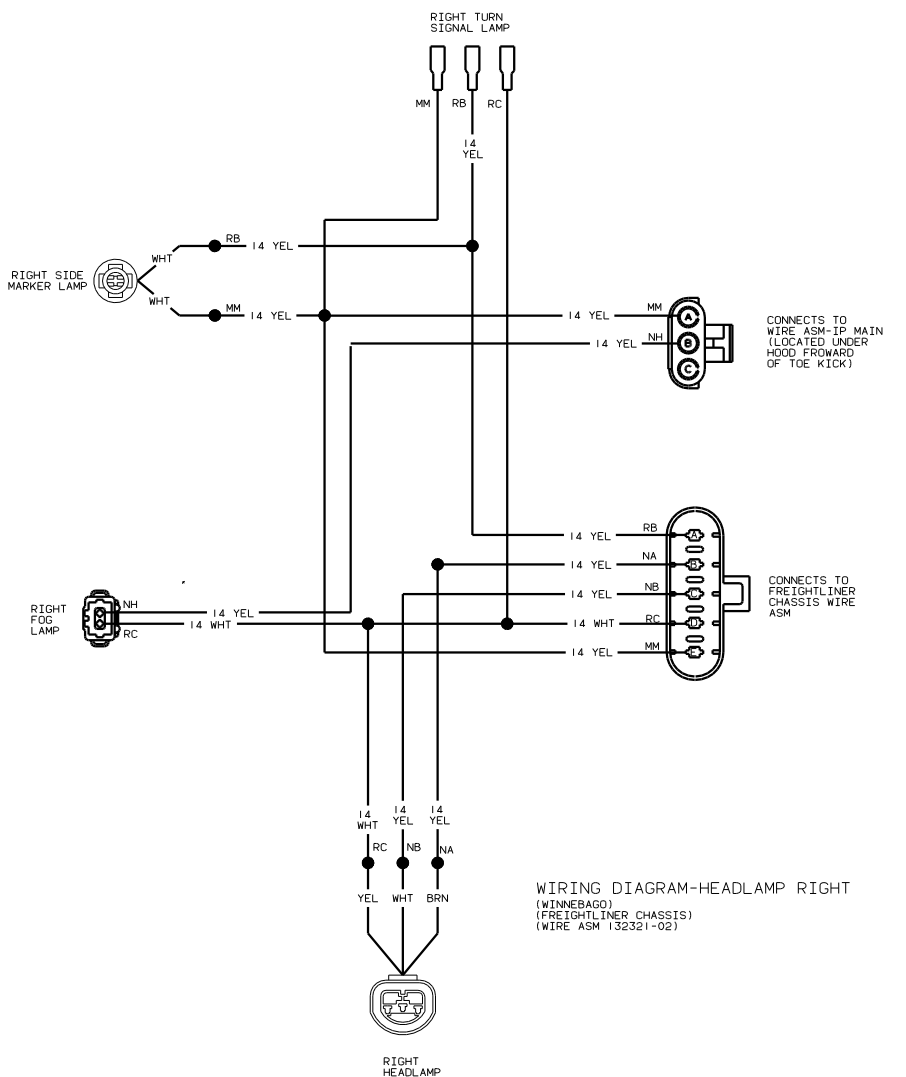
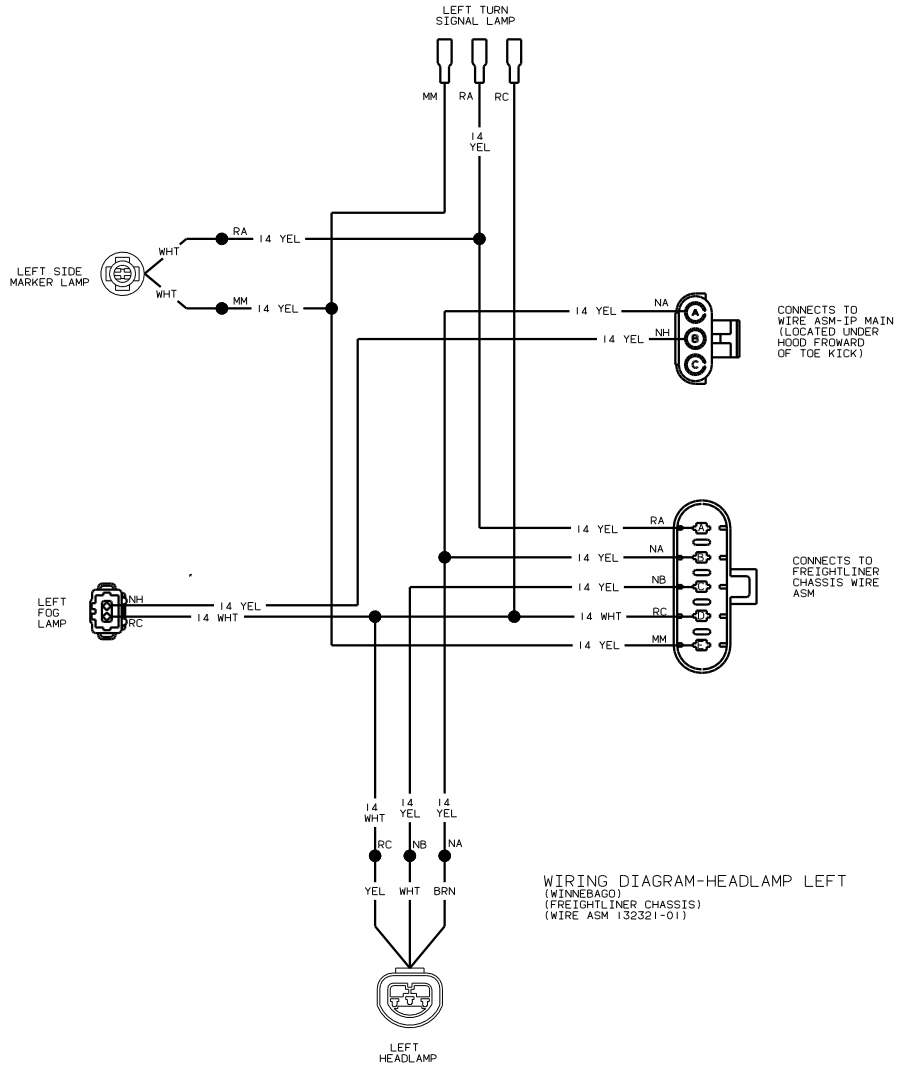


WIRING DIAGRAM-HEADLAMP  
 (FORD CHASSIS)  
 (WIRE ASM 12665-04)

(2) CONNECTS TO WIRE ASM-CHASSIS (LOCATED UNDER HOOD, FOREWORD OF DRIVERS SIDE TOEKICK)

(1) CONNECTS TO FORD MATING CONNECTOR (LOCATED UNDER HOOD, FOREWORD OF DRIVERS SIDE TOEKICK)

(2) SEE WIRING DIAGRAM-AUTO FOR ADDITIONAL INFORMATION.  
 (1) SEE MANUFACTURERS DIAGRAM FOR ADDITIONAL INFORMATION.

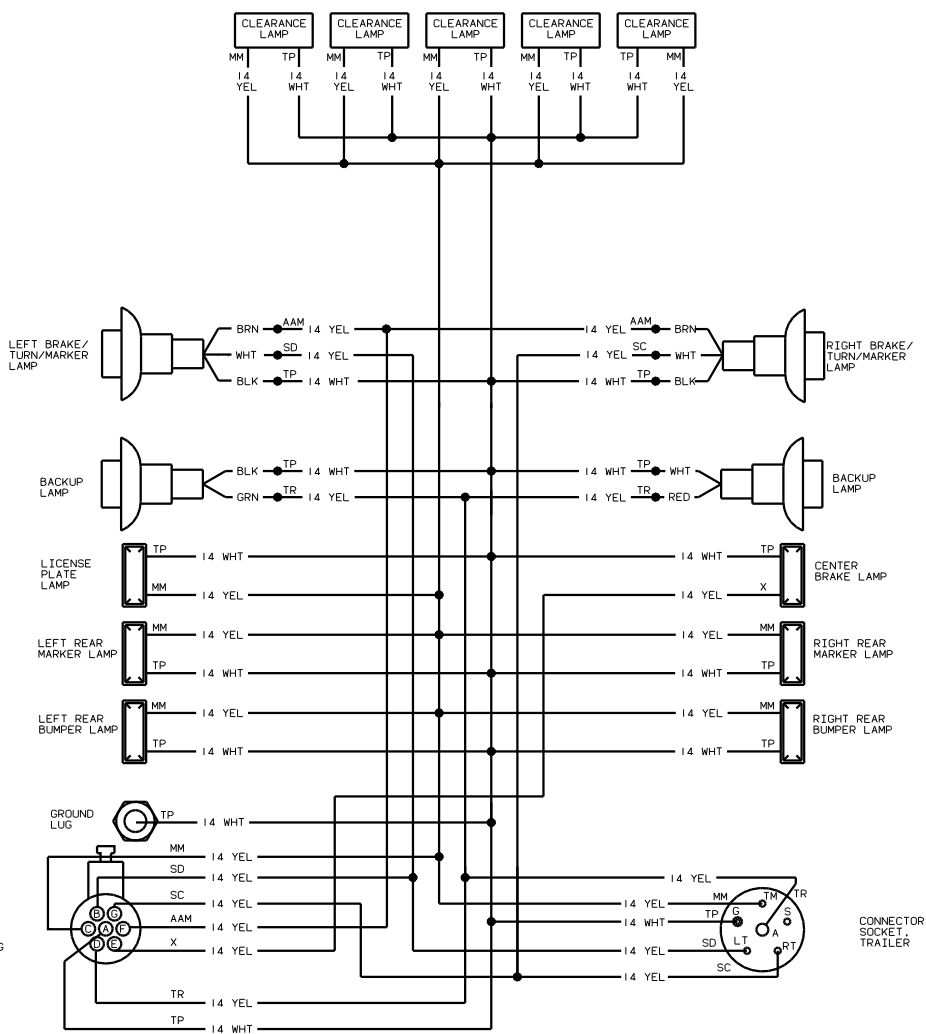


SEE WIRING DIAGRAM-AUTO FOR ADDITIONAL INFORMATION.

NOTES:

00 L-SERIES

TITLE		WIRING DIAGRAM-AUTO LAMPS	
SCALE	DATE	REV	1
3 OF 5		1 E	135384



WIRING DIAGRAM-BACKWALL  
 (FREIGHTLINER CHASSIS)  
 (WIRE ASM-129777-06-000)

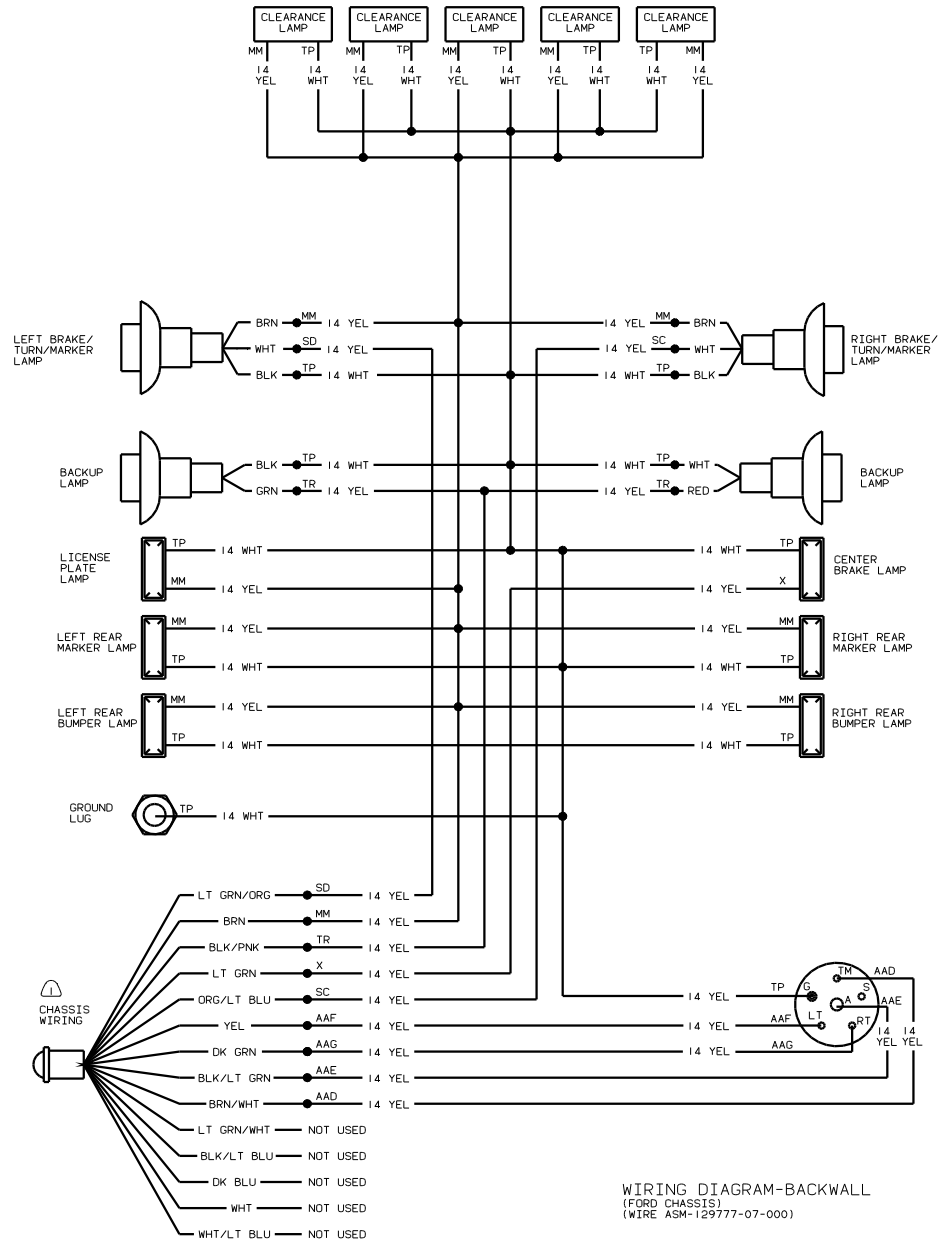
CONNECTS TO  
 CHASSIS WIRING

CONNECTOR-  
 SOCKET-  
 TRAILER

SEE MANUFACTURER'S DIAGRAM FOR ADDITIONAL INFORMATION.

00 L-SERIES

TITLE		WIRING DIAGRAM-AUTO LAMPS	
NO. OF SHEETS	5	OF	5
SHEET	4	OF	5
REV.	1	DATE	11/6
135384		135384	



WIRING DIAGRAM-BACKWALL (FORD CHASSIS) (WIRE ASM-129777-07-000)

00 L-SERIES

NOTES: SEE MANUFACTURER'S DIAGRAM FOR ADDITIONAL INFORMATION.