



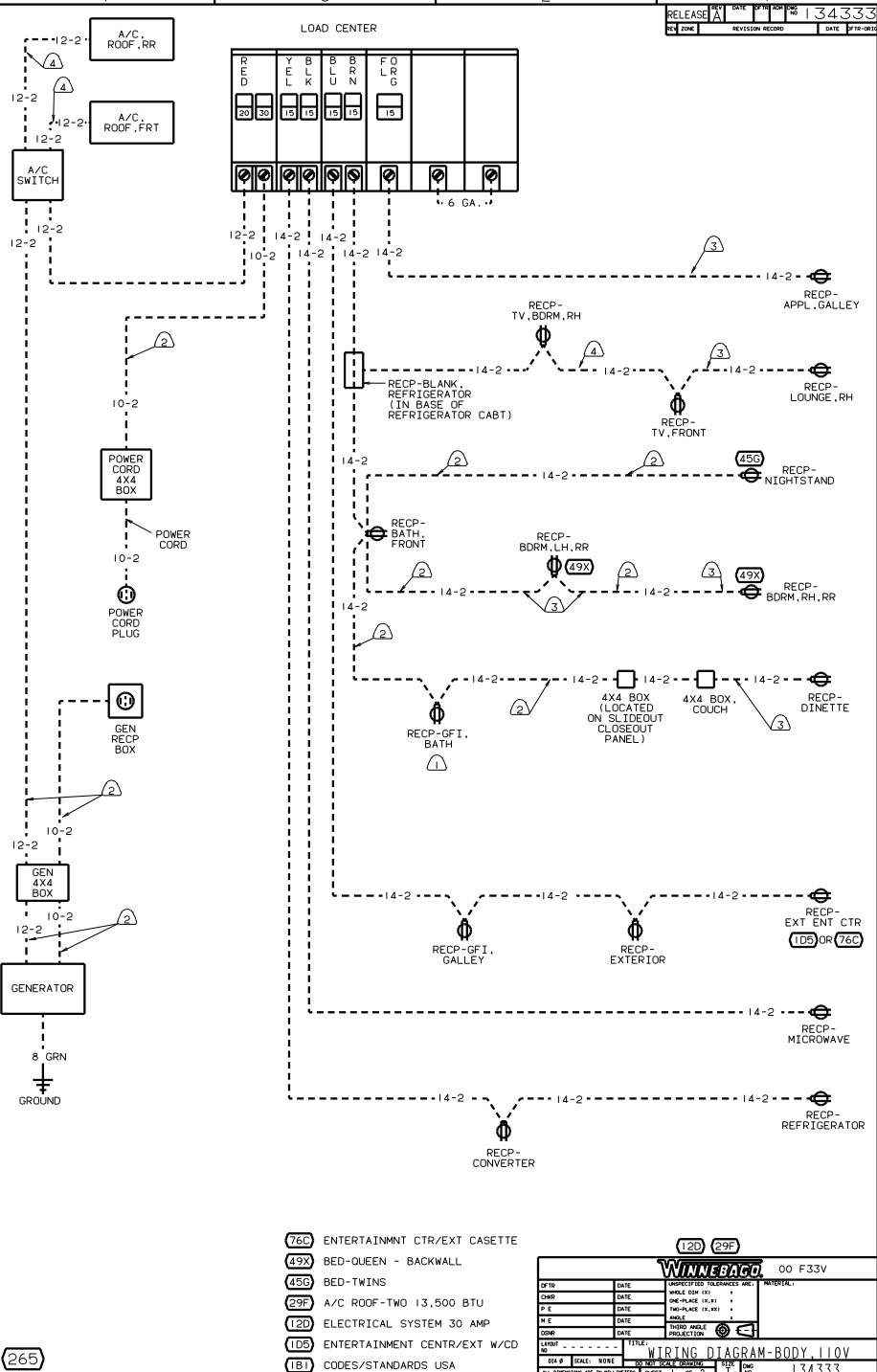
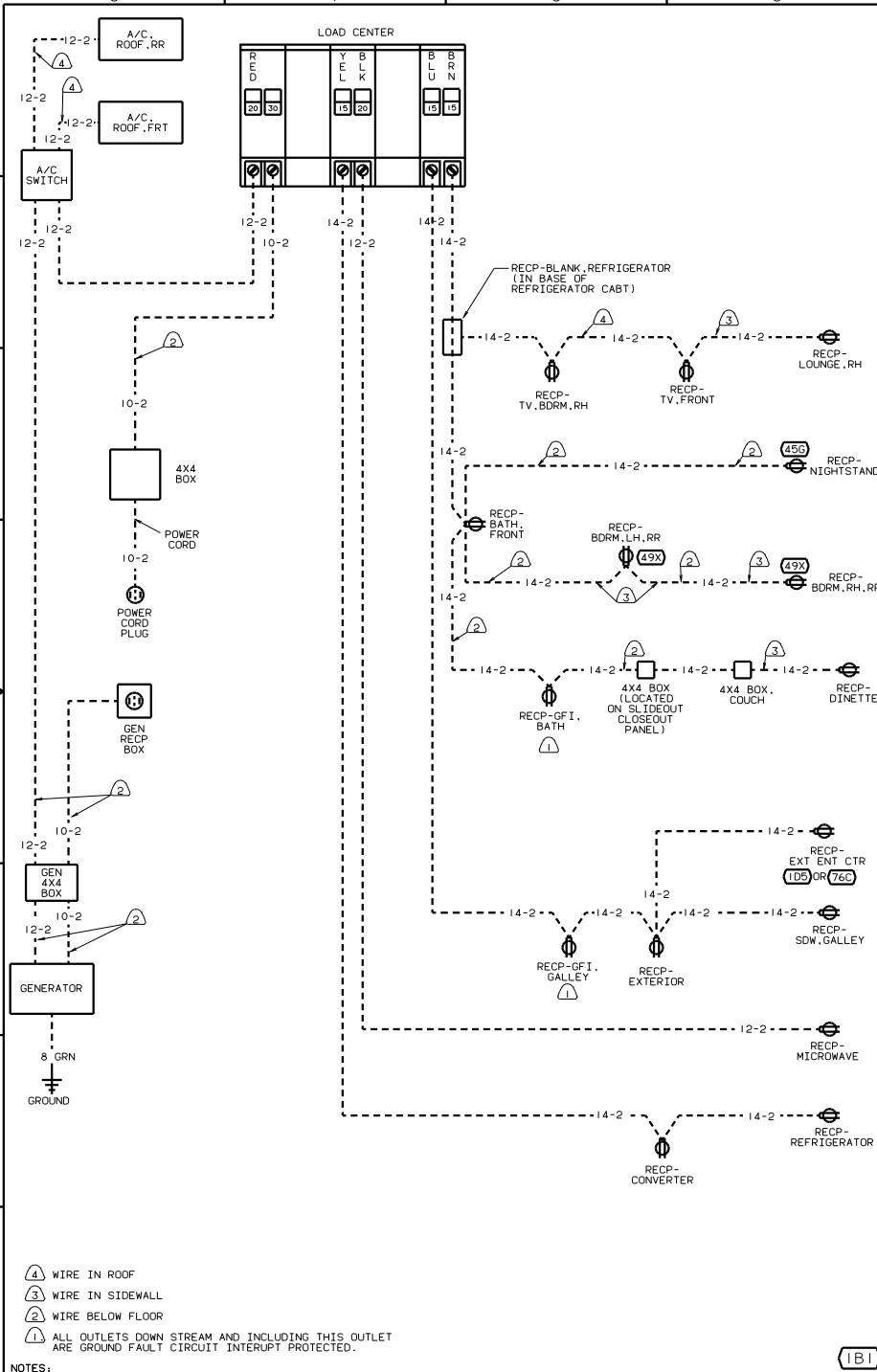
DANGER

Danger of electrical shock, burns or death. Always remove all power sources before attempting any repair, service or diagnostic work. Power can be present from shore power, generator, inverter or battery. All power sources must be disabled and secured before performing any service.



CAUTION

If you lack the skills, tools or equipment to perform diagnostic or repair work leave such work to an authorized Winnebago Industries dealer or other qualified shop.



- NOTES:
- (4) WIRE IN ROOF
 - (3) WIRE IN SIDEWALL
 - (2) WIRE BELOW FLOOR
 - (1) ALL OUTLETS DOWN STREAM AND INCLUDING THIS OUTLET ARE GROUND FAULT CIRCUIT INTERRUPT PROTECTED.

- (76C) ENTERTAINMENT CTR/EXT CASSETTE
- (49X) BED-QUEEN - BACKWALL
- (45B) BED-TWINS
- (29F) A/C ROOF-TWO 13,500 BTU
- (12D) ELECTRICAL SYSTEM 30 AMP
- (1D5) ENTERTAINMENT CENTR/EXT W/CD
- (1B1) CODES/STANDARDS USA

(12D) (29F)

WINNEBAGO 00 F33V

QTY	DATE	UNSPECIFIED TOLERANCES ARE:	MATERIAL
CHP	DATE	WHOLE OR 1/2"	
D/E	DATE	ONE-PLACE (1/8, 1/4)	
D/E	DATE	TWO-PLACE (1/8, 1/4)	
COMP	DATE	INDIC. W/ANGLE PROJECTION	

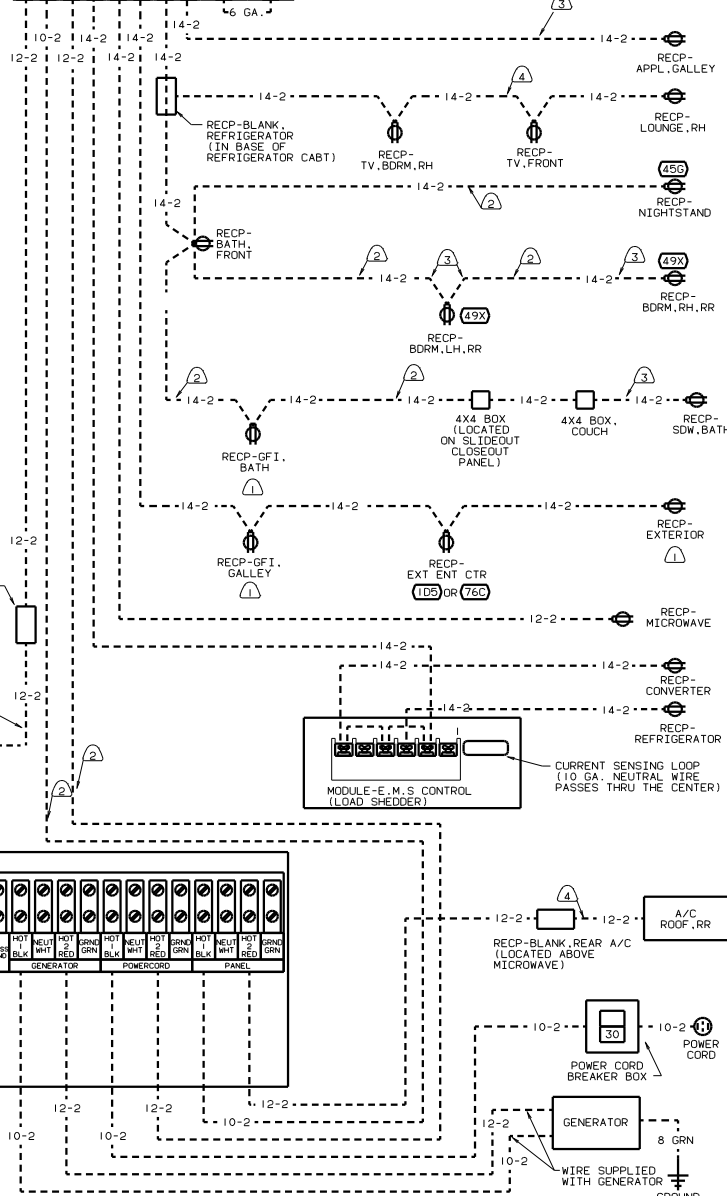
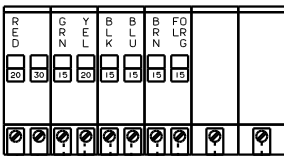
TITLE: WIRING DIAGRAM-BODY, 110V

SHEET 1 OF 2

134333

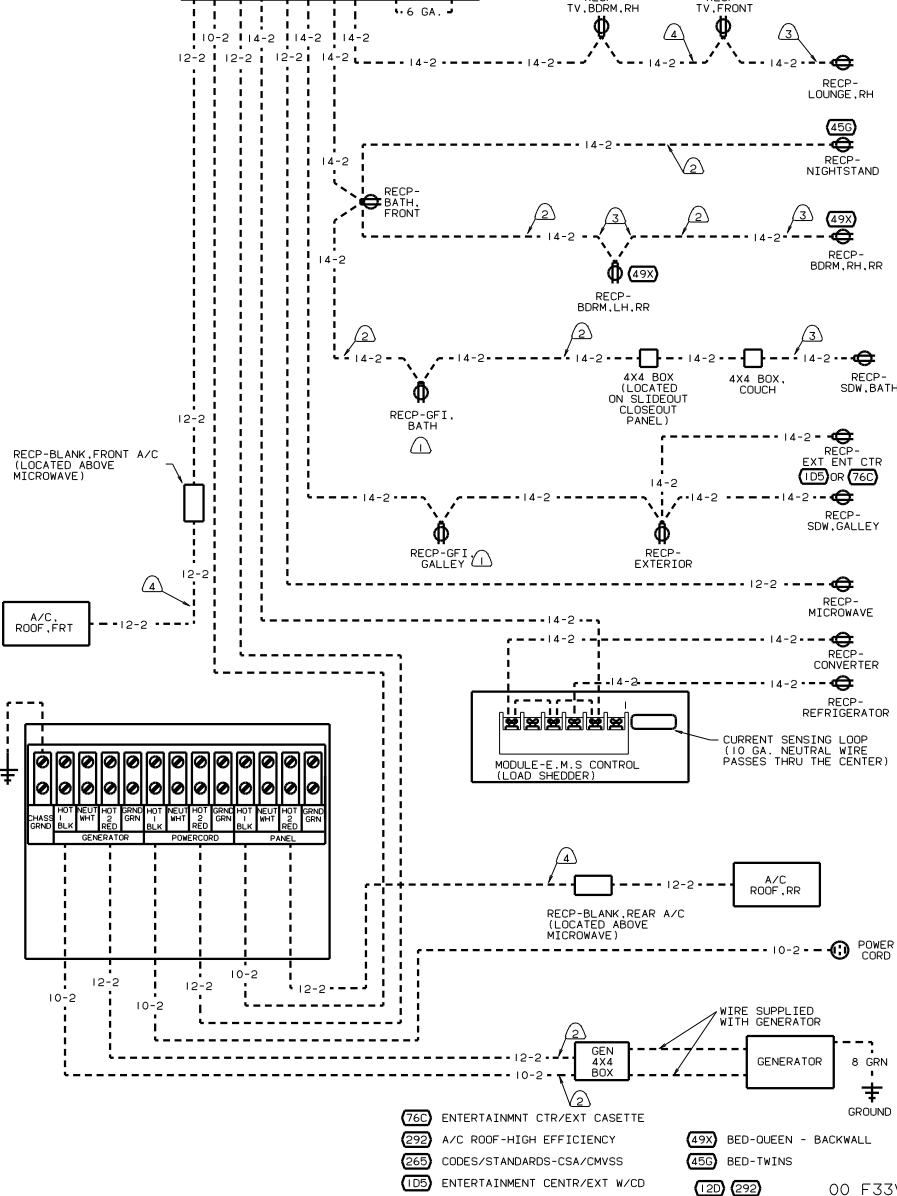
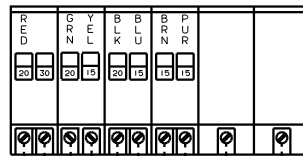
(1B1) (265)

LOAD CENTER



- ④ WIRE IN ROOF
- ③ WIRE IN SIDEWALL
- ② WIRE BELOW FLOOR
- ⚠ ALL OUTLETS DOWN STREAM AND INCLUDING THIS OUTLET ARE GROUND FAULT CIRCUIT INTERRUPT PROTECTED.

LOAD CENTER



- ⑦⑥C ENTERTAINMENT CTR/EXT CASSETTE
- ②⑨② A/C ROOF-HIGH EFFICIENCY
- ②⑥⑤ CODES/STANDARDS-CSA/CMSS
- ①②⑤ ENTERTAINMENT CTR/EXT W/CD
- ①②① CODES/STANDARDS USA
- ①②② ELECTRICAL SYSTEM 30 AMP
- ④⑨③ BED-QUEEN - BACKWALL
- ④⑤⑥ BED-TWINS
- ①②② ②⑨② 00 F33V