



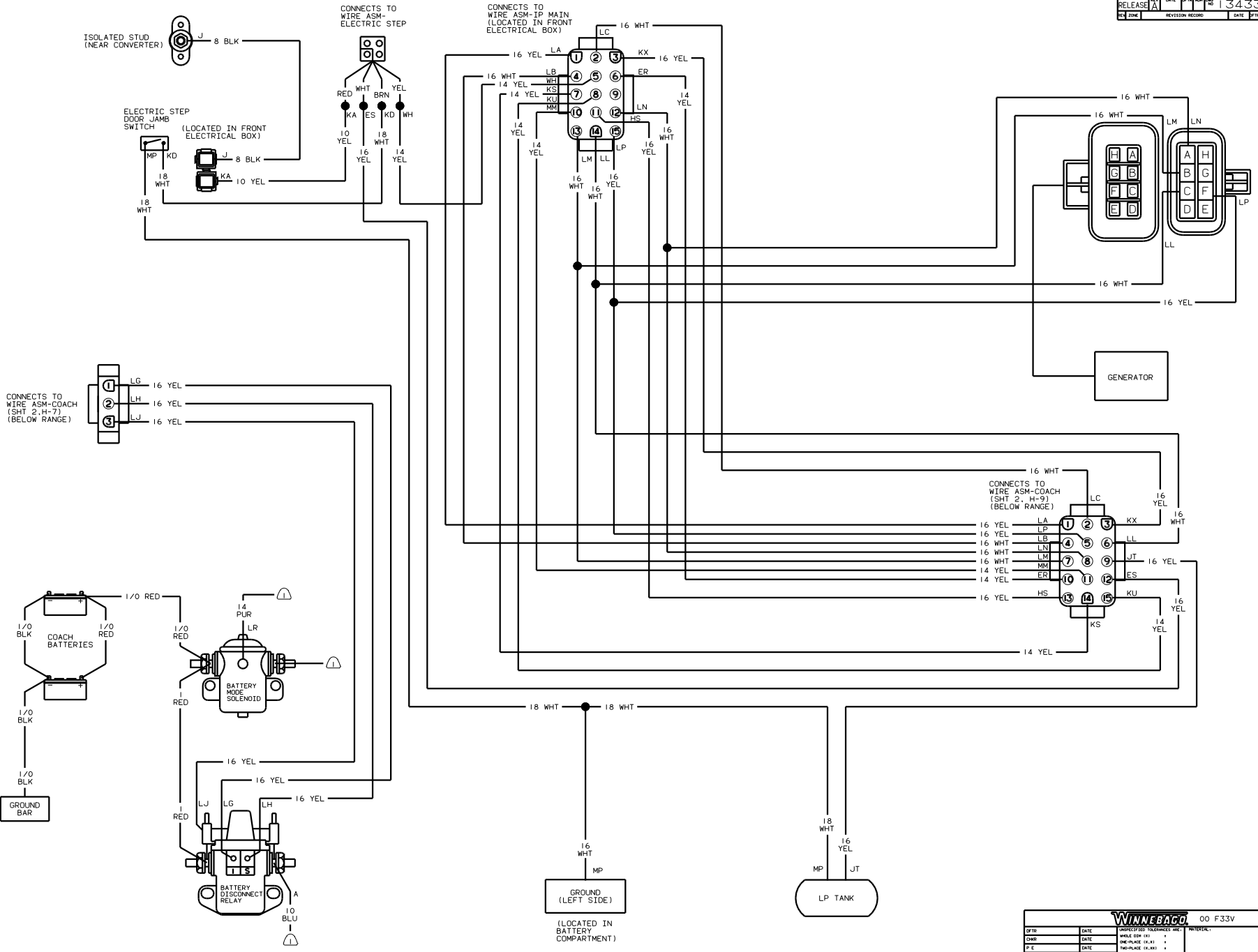
DANGER

Danger of electrical shock, burns or death. Always remove all power sources before attempting any repair, service or diagnostic work. Power can be present from shore power, generator, inverter or battery. All power sources must be disabled and secured before performing any service.



CAUTION

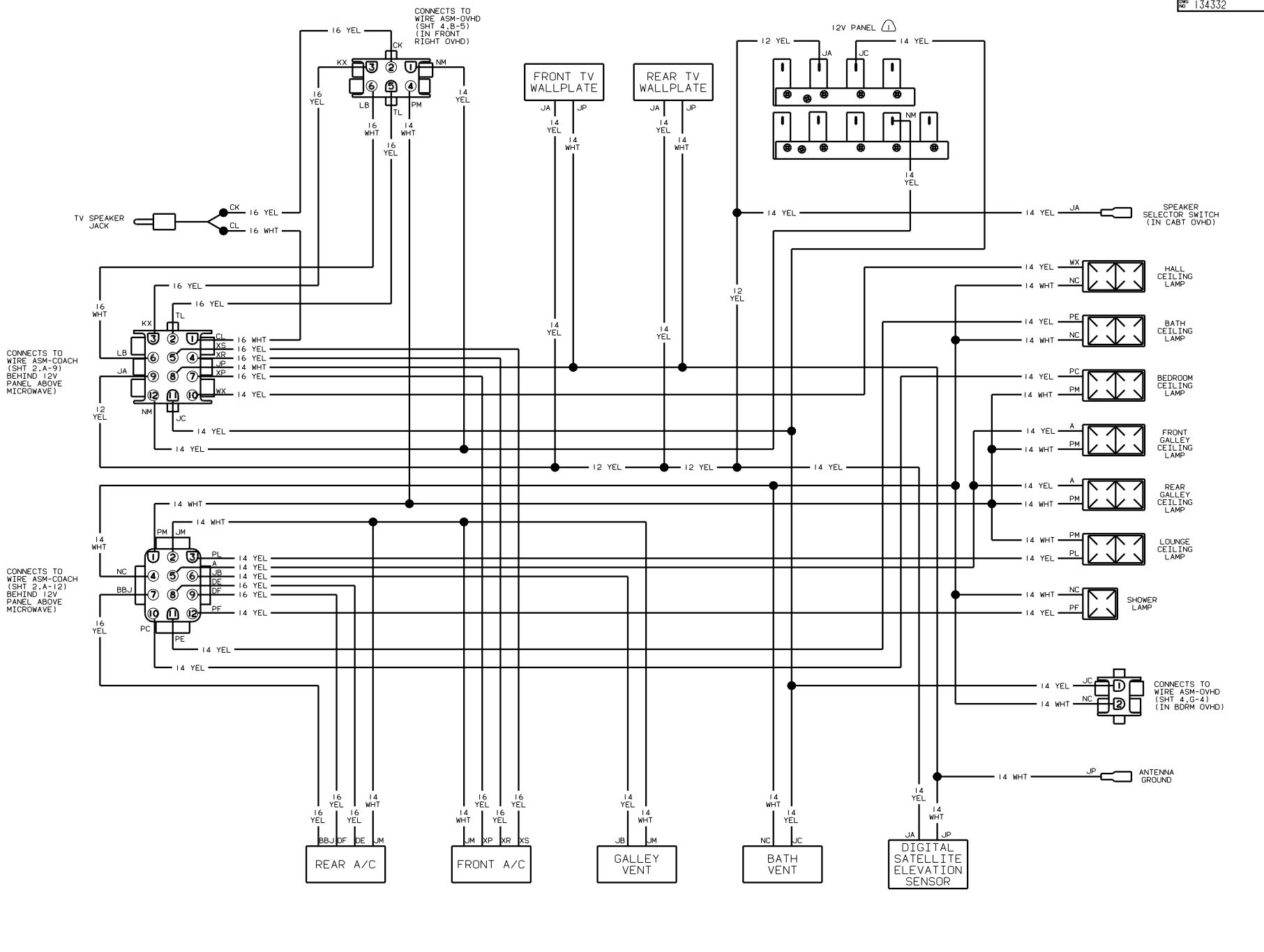
If you lack the skills, tools or equipment to perform diagnostic or repair work leave such work to an authorized Winnebago Industries dealer or other qualified shop.



NOTES:
 ⚠ SEE WIRING DIAGRAM-AUTOMOTIVE FOR ADDITIONAL WIRING.

WIRING DIAGRAM-CHASSIS
 (WIRE ASM 134327)

| | | |
|-------|------|--------------------------------------|
| | | 00 F33V |
| OF IN | DATE | UNDESIGNED TOLERANCES ARE: |
| CHP | DATE | WHOLE DIM (IN) |
| DR | DATE | ONE-PLACE (IN.X1) |
| DE | DATE | TWO-PLACE (IN.XX) |
| COM | DATE | THREE-PLACE (IN.XXX) |
| DR | DATE | FOUR-PLACE (IN.XXXX) |
| DR | DATE | FIVE-PLACE (IN.XXXXX) |
| DR | DATE | SIX-PLACE (IN.XXXXXX) |
| DR | DATE | SEVEN-PLACE (IN.XXXXXXX) |
| DR | DATE | EIGHT-PLACE (IN.XXXXXXXX) |
| DR | DATE | NINE-PLACE (IN.XXXXXXXXX) |
| DR | DATE | TEN-PLACE (IN.XXXXXXXXXX) |
| DR | DATE | ELEVEN-PLACE (IN.XXXXXXXXXXX) |
| DR | DATE | TWELVE-PLACE (IN.XXXXXXXXXXX) |
| DR | DATE | THIRTEEN-PLACE (IN.XXXXXXXXXXX) |
| DR | DATE | FOURTEEN-PLACE (IN.XXXXXXXXXXX) |
| DR | DATE | FIFTEEN-PLACE (IN.XXXXXXXXXXX) |
| DR | DATE | SIXTEEN-PLACE (IN.XXXXXXXXXXX) |
| DR | DATE | SEVENTEEN-PLACE (IN.XXXXXXXXXXX) |
| DR | DATE | EIGHTEEN-PLACE (IN.XXXXXXXXXXX) |
| DR | DATE | NINETEEN-PLACE (IN.XXXXXXXXXXX) |
| DR | DATE | TWENTY-PLACE (IN.XXXXXXXXXXX) |
| DR | DATE | TWENTY-ONE-PLACE (IN.XXXXXXXXXXX) |
| DR | DATE | TWENTY-TWO-PLACE (IN.XXXXXXXXXXX) |
| DR | DATE | TWENTY-THREE-PLACE (IN.XXXXXXXXXXX) |
| DR | DATE | TWENTY-FOUR-PLACE (IN.XXXXXXXXXXX) |
| DR | DATE | TWENTY-FIVE-PLACE (IN.XXXXXXXXXXX) |
| DR | DATE | TWENTY-SIX-PLACE (IN.XXXXXXXXXXX) |
| DR | DATE | TWENTY-SEVEN-PLACE (IN.XXXXXXXXXXX) |
| DR | DATE | TWENTY-EIGHT-PLACE (IN.XXXXXXXXXXX) |
| DR | DATE | TWENTY-NINE-PLACE (IN.XXXXXXXXXXX) |
| DR | DATE | THIRTY-PLACE (IN.XXXXXXXXXXX) |
| DR | DATE | THIRTY-ONE-PLACE (IN.XXXXXXXXXXX) |
| DR | DATE | THIRTY-TWO-PLACE (IN.XXXXXXXXXXX) |
| DR | DATE | THIRTY-THREE-PLACE (IN.XXXXXXXXXXX) |
| DR | DATE | THIRTY-FOUR-PLACE (IN.XXXXXXXXXXX) |
| DR | DATE | THIRTY-FIVE-PLACE (IN.XXXXXXXXXXX) |
| DR | DATE | THIRTY-SIX-PLACE (IN.XXXXXXXXXXX) |
| DR | DATE | THIRTY-SEVEN-PLACE (IN.XXXXXXXXXXX) |
| DR | DATE | THIRTY-EIGHT-PLACE (IN.XXXXXXXXXXX) |
| DR | DATE | THIRTY-NINE-PLACE (IN.XXXXXXXXXXX) |
| DR | DATE | FOURTY-PLACE (IN.XXXXXXXXXXX) |
| DR | DATE | FOURTY-ONE-PLACE (IN.XXXXXXXXXXX) |
| DR | DATE | FOURTY-TWO-PLACE (IN.XXXXXXXXXXX) |
| DR | DATE | FOURTY-THREE-PLACE (IN.XXXXXXXXXXX) |
| DR | DATE | FOURTY-FOUR-PLACE (IN.XXXXXXXXXXX) |
| DR | DATE | FOURTY-FIVE-PLACE (IN.XXXXXXXXXXX) |
| DR | DATE | FOURTY-SIX-PLACE (IN.XXXXXXXXXXX) |
| DR | DATE | FOURTY-SEVEN-PLACE (IN.XXXXXXXXXXX) |
| DR | DATE | FOURTY-EIGHT-PLACE (IN.XXXXXXXXXXX) |
| DR | DATE | FOURTY-NINE-PLACE (IN.XXXXXXXXXXX) |
| DR | DATE | FIFTY-PLACE (IN.XXXXXXXXXXX) |
| DR | DATE | FIFTY-ONE-PLACE (IN.XXXXXXXXXXX) |
| DR | DATE | FIFTY-TWO-PLACE (IN.XXXXXXXXXXX) |
| DR | DATE | FIFTY-THREE-PLACE (IN.XXXXXXXXXXX) |
| DR | DATE | FIFTY-FOUR-PLACE (IN.XXXXXXXXXXX) |
| DR | DATE | FIFTY-FIVE-PLACE (IN.XXXXXXXXXXX) |
| DR | DATE | FIFTY-SIX-PLACE (IN.XXXXXXXXXXX) |
| DR | DATE | FIFTY-SEVEN-PLACE (IN.XXXXXXXXXXX) |
| DR | DATE | FIFTY-EIGHT-PLACE (IN.XXXXXXXXXXX) |
| DR | DATE | FIFTY-NINE-PLACE (IN.XXXXXXXXXXX) |
| DR | DATE | SIXTY-PLACE (IN.XXXXXXXXXXX) |
| DR | DATE | SIXTY-ONE-PLACE (IN.XXXXXXXXXXX) |
| DR | DATE | SIXTY-TWO-PLACE (IN.XXXXXXXXXXX) |
| DR | DATE | SIXTY-THREE-PLACE (IN.XXXXXXXXXXX) |
| DR | DATE | SIXTY-FOUR-PLACE (IN.XXXXXXXXXXX) |
| DR | DATE | SIXTY-FIVE-PLACE (IN.XXXXXXXXXXX) |
| DR | DATE | SIXTY-SIX-PLACE (IN.XXXXXXXXXXX) |
| DR | DATE | SIXTY-SEVEN-PLACE (IN.XXXXXXXXXXX) |
| DR | DATE | SIXTY-EIGHT-PLACE (IN.XXXXXXXXXXX) |
| DR | DATE | SIXTY-NINE-PLACE (IN.XXXXXXXXXXX) |
| DR | DATE | SEVENTY-PLACE (IN.XXXXXXXXXXX) |
| DR | DATE | SEVENTY-ONE-PLACE (IN.XXXXXXXXXXX) |
| DR | DATE | SEVENTY-TWO-PLACE (IN.XXXXXXXXXXX) |
| DR | DATE | SEVENTY-THREE-PLACE (IN.XXXXXXXXXXX) |
| DR | DATE | SEVENTY-FOUR-PLACE (IN.XXXXXXXXXXX) |
| DR | DATE | SEVENTY-FIVE-PLACE (IN.XXXXXXXXXXX) |
| DR | DATE | SEVENTY-SIX-PLACE (IN.XXXXXXXXXXX) |
| DR | DATE | SEVENTY-SEVEN-PLACE (IN.XXXXXXXXXXX) |
| DR | DATE | SEVENTY-EIGHT-PLACE (IN.XXXXXXXXXXX) |
| DR | DATE | SEVENTY-NINE-PLACE (IN.XXXXXXXXXXX) |
| DR | DATE | EIGHTY-PLACE (IN.XXXXXXXXXXX) |
| DR | DATE | EIGHTY-ONE-PLACE (IN.XXXXXXXXXXX) |
| DR | DATE | EIGHTY-TWO-PLACE (IN.XXXXXXXXXXX) |
| DR | DATE | EIGHTY-THREE-PLACE (IN.XXXXXXXXXXX) |
| DR | DATE | EIGHTY-FOUR-PLACE (IN.XXXXXXXXXXX) |
| DR | DATE | EIGHTY-FIVE-PLACE (IN.XXXXXXXXXXX) |
| DR | DATE | EIGHTY-SIX-PLACE (IN.XXXXXXXXXXX) |
| DR | DATE | EIGHTY-SEVEN-PLACE (IN.XXXXXXXXXXX) |
| DR | DATE | EIGHTY-EIGHT-PLACE (IN.XXXXXXXXXXX) |
| DR | DATE | EIGHTY-NINE-PLACE (IN.XXXXXXXXXXX) |
| DR | DATE | NINETY-PLACE (IN.XXXXXXXXXXX) |
| DR | DATE | NINETY-ONE-PLACE (IN.XXXXXXXXXXX) |
| DR | DATE | NINETY-TWO-PLACE (IN.XXXXXXXXXXX) |
| DR | DATE | NINETY-THREE-PLACE (IN.XXXXXXXXXXX) |
| DR | DATE | NINETY-FOUR-PLACE (IN.XXXXXXXXXXX) |
| DR | DATE | NINETY-FIVE-PLACE (IN.XXXXXXXXXXX) |
| DR | DATE | NINETY-SIX-PLACE (IN.XXXXXXXXXXX) |
| DR | DATE | NINETY-SEVEN-PLACE (IN.XXXXXXXXXXX) |
| DR | DATE | NINETY-EIGHT-PLACE (IN.XXXXXXXXXXX) |
| DR | DATE | NINETY-NINE-PLACE (IN.XXXXXXXXXXX) |
| DR | DATE | HUNDRED-PLACE (IN.XXXXXXXXXXX) |



CONNECTS TO WIRE ASM-COACH (SHT 2, A-9) BEHIND 12V PANEL ABOVE MICROWAVE)

CONNECTS TO WIRE ASM-OVHD (SHT 4, B-5) (IN FRONT RIGHT OVHD)

CONNECTS TO WIRE ASM-COACH (SHT 2, A-12) BEHIND 12V PANEL ABOVE MICROWAVE)

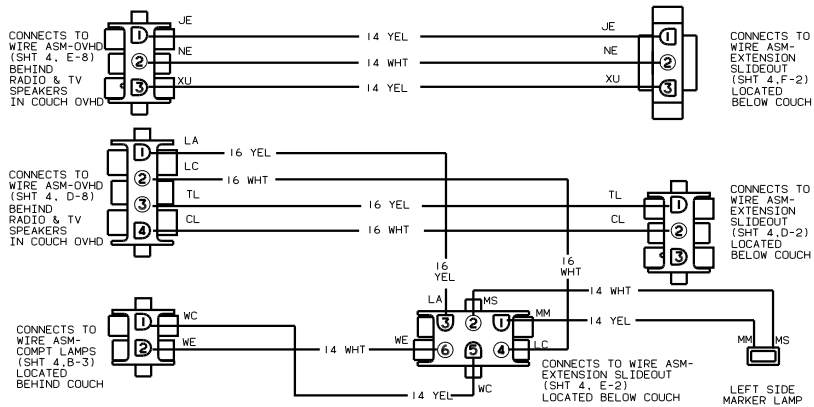
CONNECTS TO WIRE ASM-OVHD (SHT 4, G-1) (IN BDRM OVHD)

SEE SHEET 2 FOR ADDITIONAL INFORMATION.

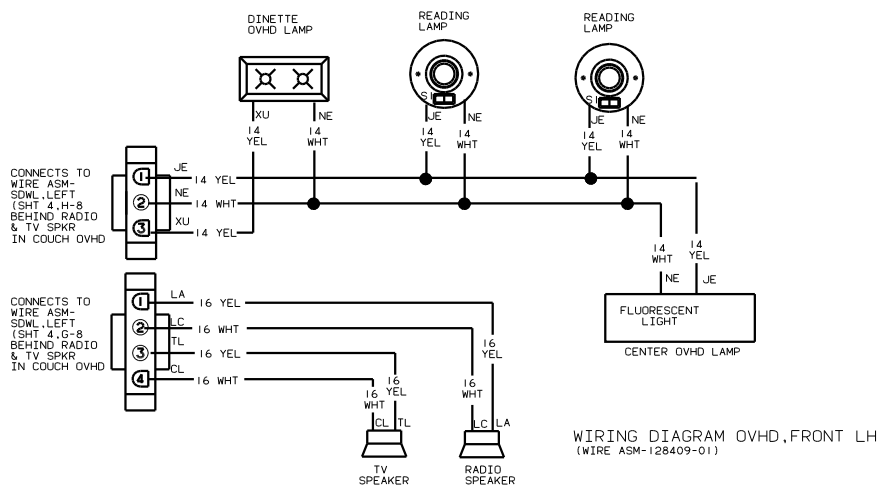
WIRING DIAGRAM-ROOF (WIRE ASM-134354-01)

00 F33V

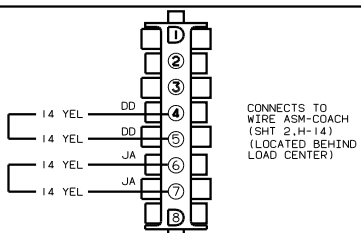
| | |
|--------------------------|---------|
| TITLE: WIRE DIAGRAM-ROOF | |
| DO NOT SCALE DRAWING | REV 1.0 |
| SHEET 3 OF 4 | 134332 |



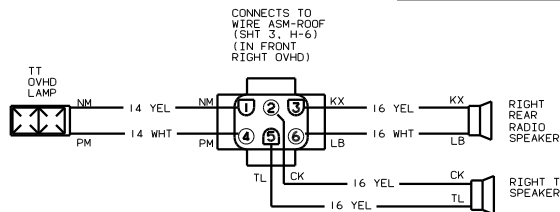
WIRING DIAGRAM-SIDEWALL, LEFT (WIRE ASM-132423-04)



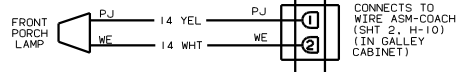
WIRING DIAGRAM OVHD, FRONT LH (WIRE ASM-128409-01)



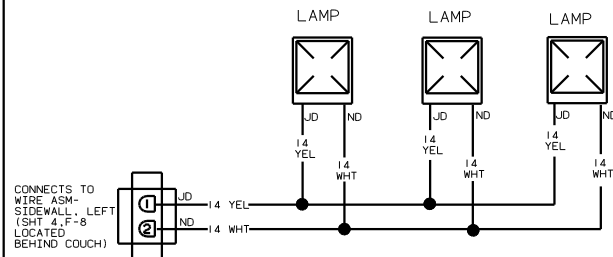
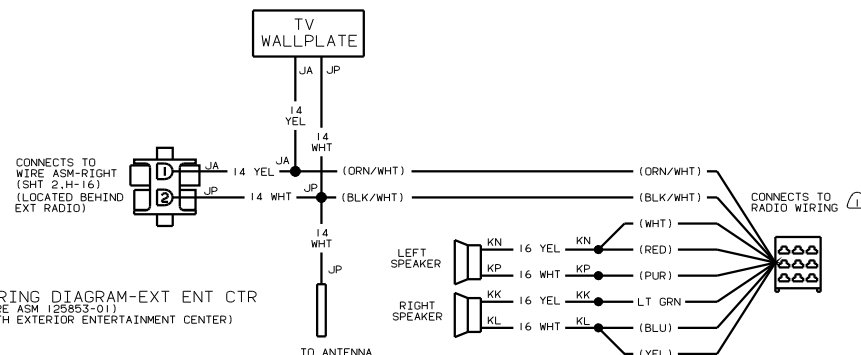
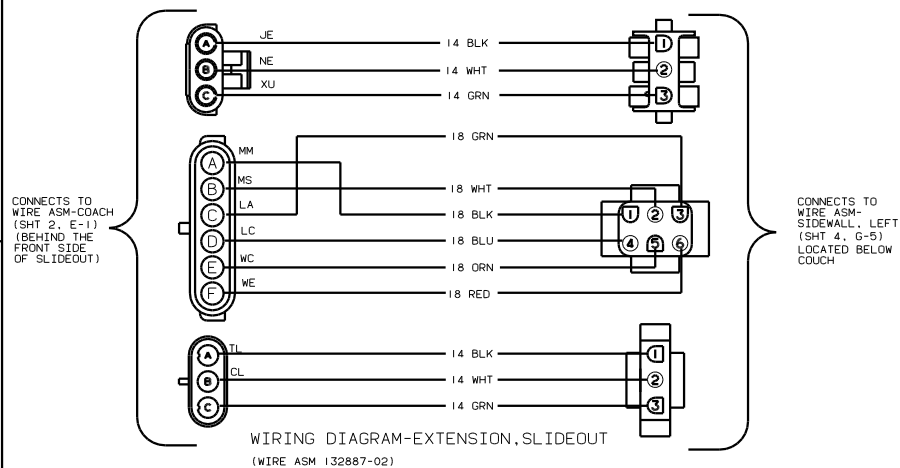
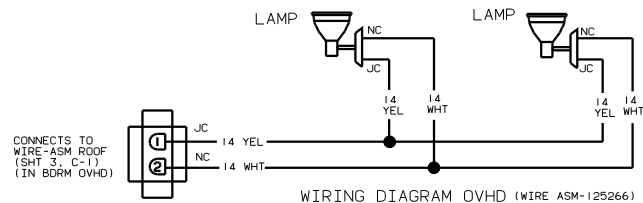
WIRING DIAGRAM-JUMPER (WIRE ASM-130106) WITHOUT LOAD SHEDDAR



WIRING DIAGRAM-OVHD SPKRS (WIRE ASM-129825)



WIRING DIAGRAM-PORCH LIGHT (WIRE ASM-133572)



WIRING DIAGRAM COMPT SLIDEOUT (WIRE ASM-129295-01)