



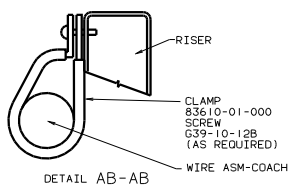
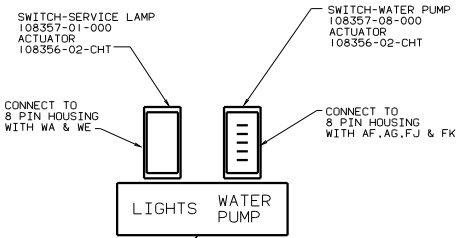
DANGER

Danger of electrical shock, burns or death. Always remove all power sources before attempting any repair, service or diagnostic work. Power can be present from shore power, generator, inverter or battery. All power sources must be disabled and secured before performing any service.

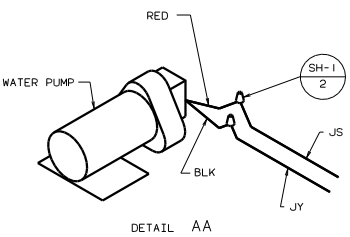
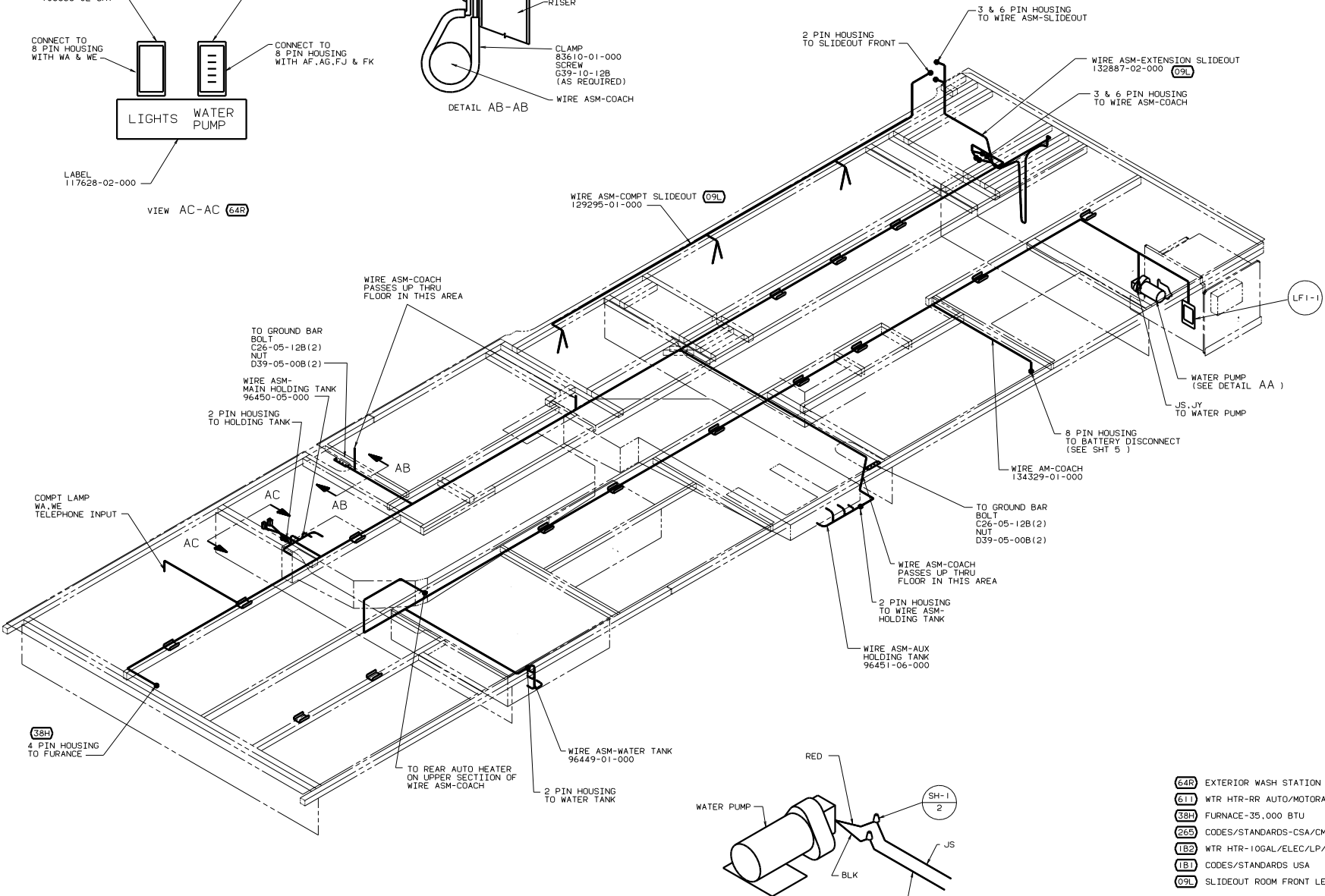


CAUTION

If you lack the skills, tools or equipment to perform diagnostic or repair work leave such work to an authorized Winnebago Industries dealer or other qualified shop.



LABEL 117628-02-000
 VIEW AC-AC (64R)



- (64R) EXTERIOR WASH STATION
- (61I) WTR HTR-RR AUTO/MOTORAID
- (38H) FURNACE-35,000 BTU
- (265) CODES/STANDARDS-CSA/CMVSS
- (182) WTR HTR-10GAL/ELEC/LP/MTR AID
- (1B1) CODES/STANDARDS USA
- (09L) SLIDEOUT ROOM FRONT LEFT

3. WIRES THAT REST ON WIRE TRAYS ARE TO BE TIED DOWN WITH WIRE TIE 8343-02-000.
2. CLAMP TO FLOOR SUPPORT TUBES AS NECESSARY WITH CLAMP 10497-01-000
1. ALL WIRE TO BE CLAMPED WITH CLAMP 10495-01-000 OR CLIP 80734-01-000 EVERY 700. USE SCREW G67-10-12B UNLESS OTHERWISE SPECIFIED.

NOTES:

FOR ELECTRICAL TORQUE SPECIFICATIONS SEE DWG NO. 128783-01-000

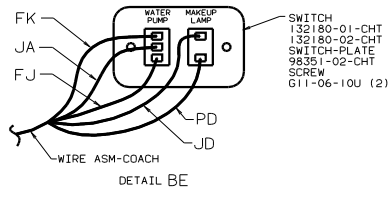
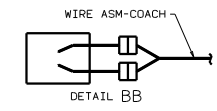
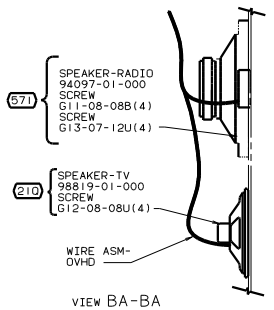
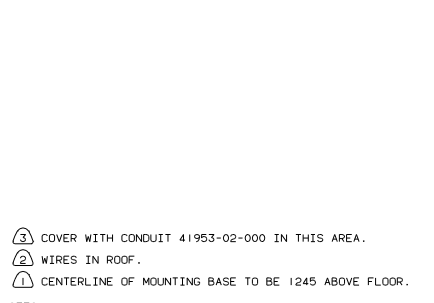
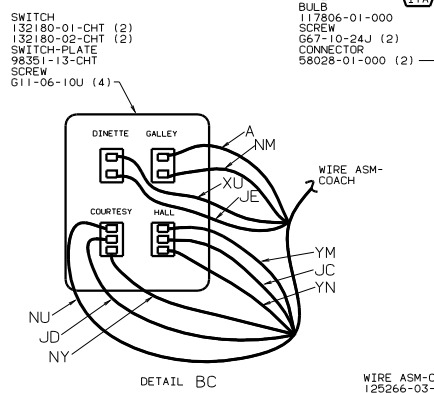
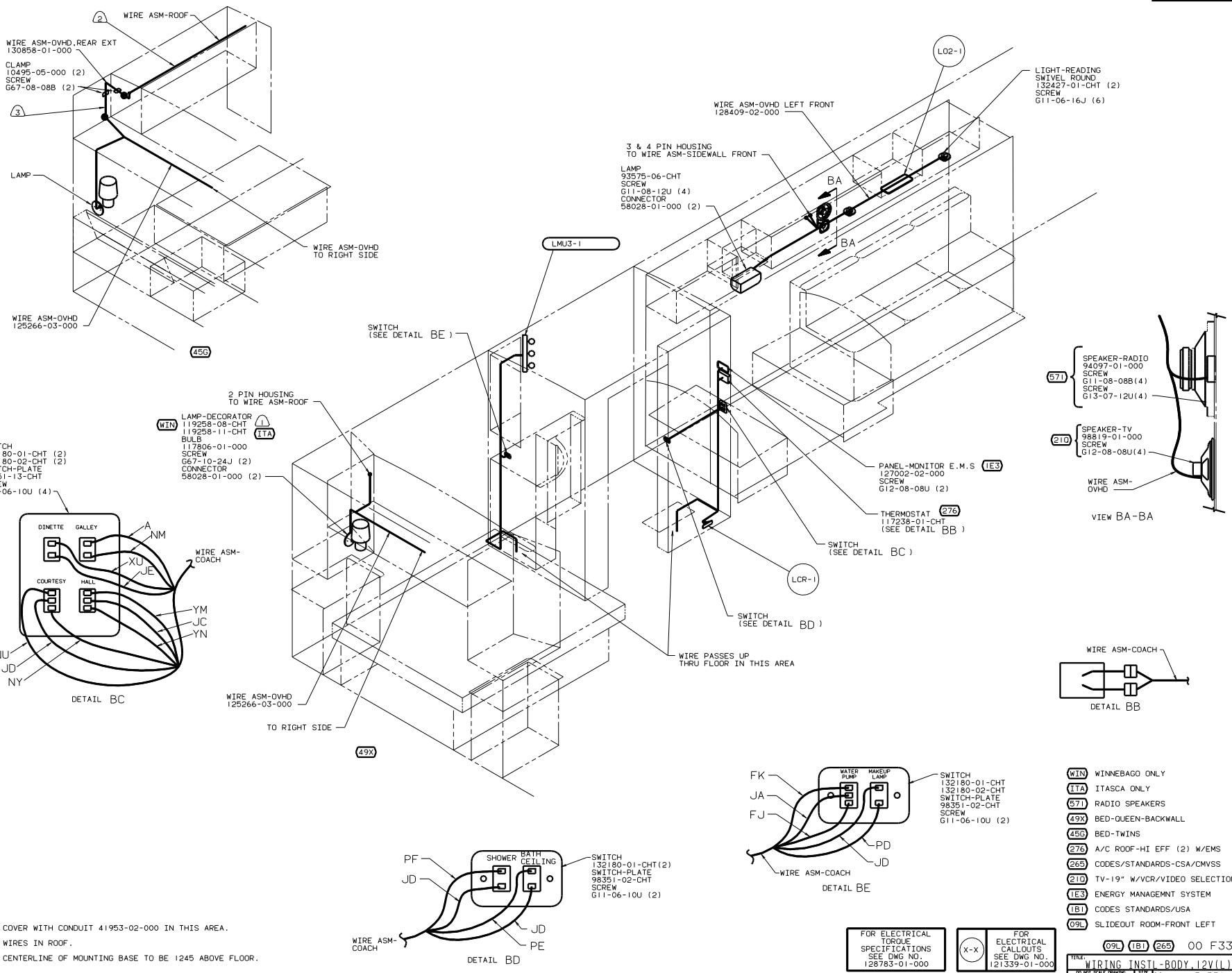
FOR ELECTRICAL CALLOUTS SEE DWG NO. 121339-01-000

(181) (265) WINNEBAGO 00 F33V

| OF IN | DATE | UNSPECIFIED TOLERANCES ARE: | MATERIAL |
|-------|------|-----------------------------|----------|
| COMP | DATE | WHOLE OR 1/16" | |
| FPC | DATE | ONE-PLACE (1/32)" | |
| D/E | DATE | TWO-PLACE (1/64)" | |
| MFG | DATE | MILLS | |
| COMP | DATE | THRU WHOLE PRODUCTION | |

WIRING INSTL-BODY 12V(BF)

SHEET 1 OF 7



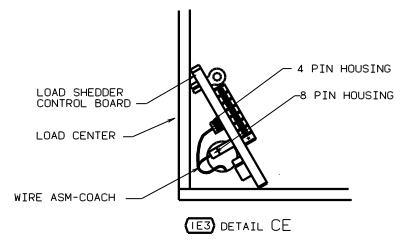
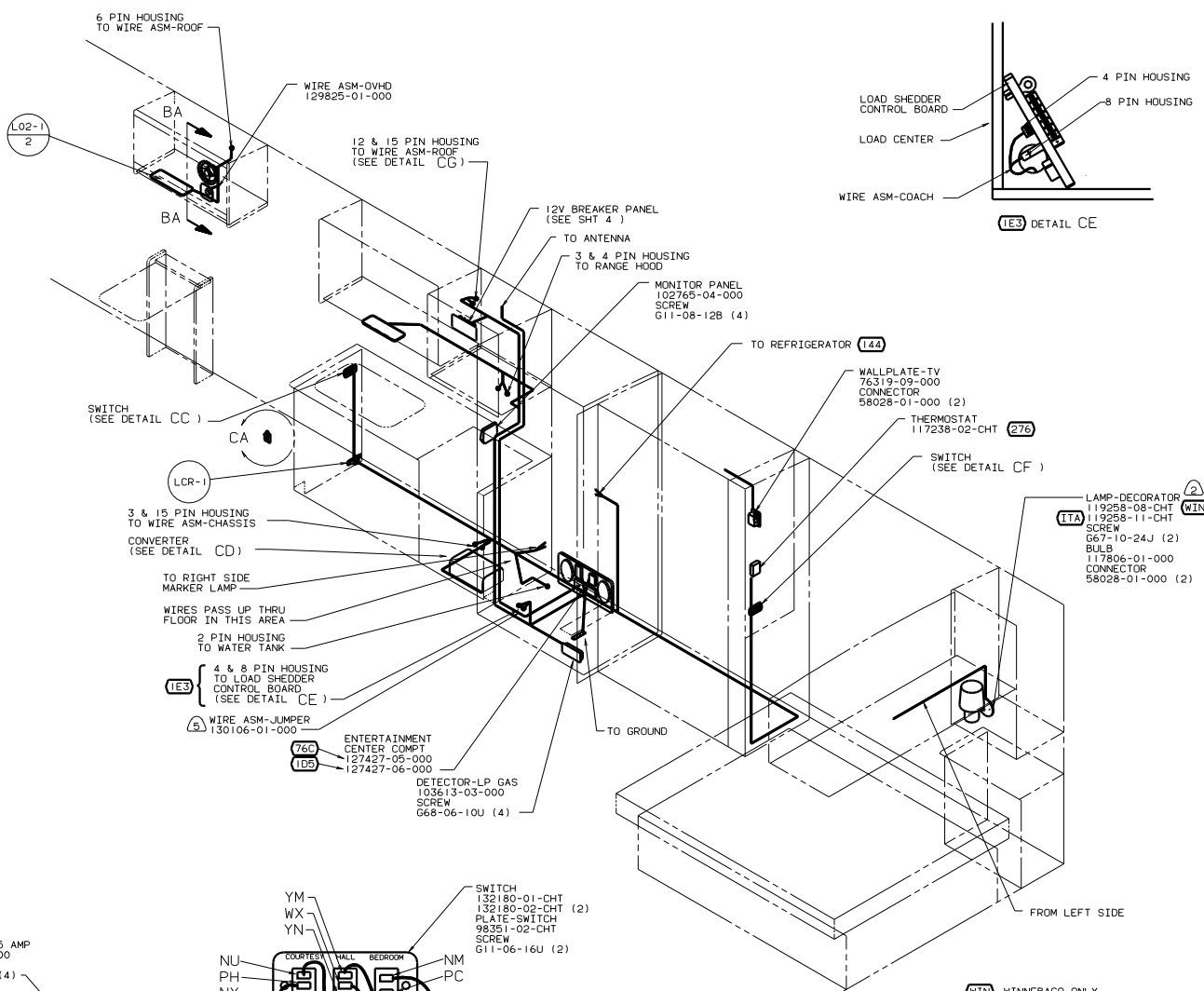
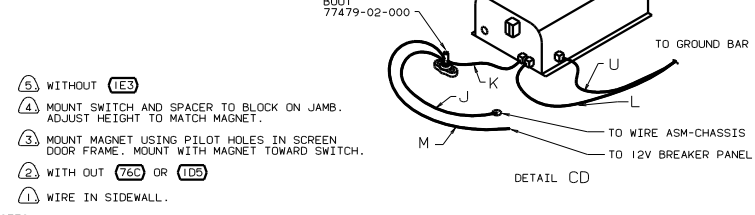
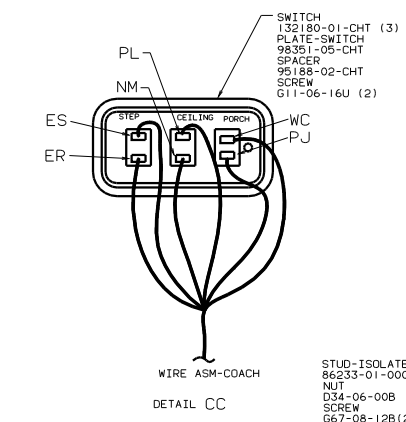
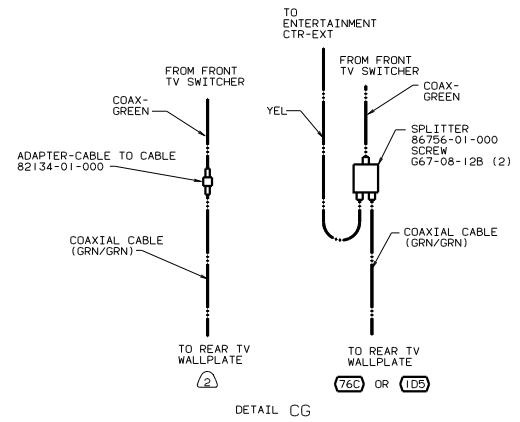
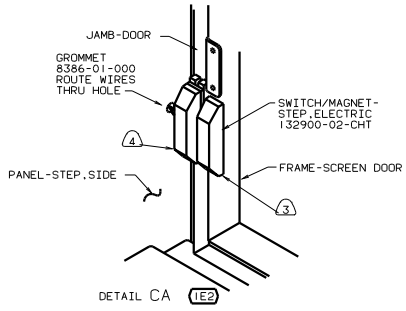
NOTES:
 ③ COVER WITH CONDUIT 41953-02-000 IN THIS AREA.
 ② WIRES IN ROOF.
 ① CENTERLINE OF MOUNTING BASE TO BE 1245 ABOVE FLOOR.

FOR ELECTRICAL TORQUE SPECIFICATIONS SEE DWG NO. 128783-01-000

FOR ELECTRICAL CALLOUTS SEE DWG NO. 121339-01-000

- (WIN) WINNEBAGO ONLY
- (ITA) ITASCA ONLY
- (571) RADIO SPEAKERS
- (49X) BED-QUEEN-BACKWALL
- (45G) BED-TWINS
- (27G) A/C ROOF-HI EFF (2) W/EMS
- (26S) CODES/STANDARDS-CSA/CMVSS
- (21D) TV-19" W/VCR/VIDEO SELECTION
- (IE3) ENERGY MANAGMNT SYSTEM
- (IB1) CODES STANDARDS/USA
- (09L) SLIDEOUT ROOM-FRONT LEFT

| | | | |
|---------------------------------|----------|-----------|---------|
| 09L | IB1 | 26S | 00 F33V |
| TITLE: WIRING INSTL-BODY.12V(L) | | | |
| DATE: 10/10/84 | BY: J.E. | CHK: J.E. | 134330 |
| SHEET 2 OF 7 | | FIG 1 | |

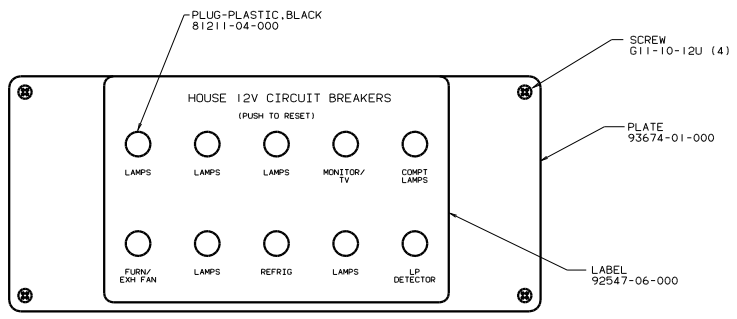


- ③ WITHOUT 1E3
- ④ MOUNT SWITCH AND SPACER TO BLOCK ON JAMB. ADJUST HEIGHT TO MATCH MAGNET.
- ③ MOUNT MAGNET USING PILOT HOLES IN SCREEN DOOR FRAME. MOUNT WITH MAGNET TOWARD SWITCH.
- ② WITH OUT 76C OR 1D5
- ① WIRE IN SIDEWALL.

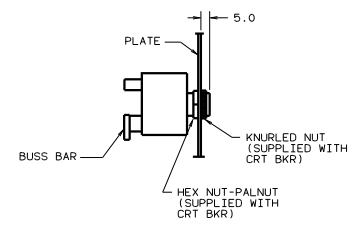
- (WIN) WINNEBAGO ONLY
- (ITA) ITASCA ONLY
- (76C) ENTERTAINMENT CTR/EXT CSETTE
- (49X) BED-QUEEN - BACKWALL
- (276) A/C ROOF-HI EFF (2) W/EMS
- (265) CODES/STANDARDS-CSA/CMVSS
- (1E3) ENERGY MANAGEMENT SYSTEM
- (1E2) ENTRANCE STEP-ELEC.
- (1D5) ENTERTAINMENT CTR-EXT-W/CD
- (1B1) CODES STANDARDS/USA
- (144) REFRIGERATOR-DOUBLE DOOR

FOR ELECTRICAL TORQUE SPECIFICATIONS SEE DWG NO. 128783-01-000

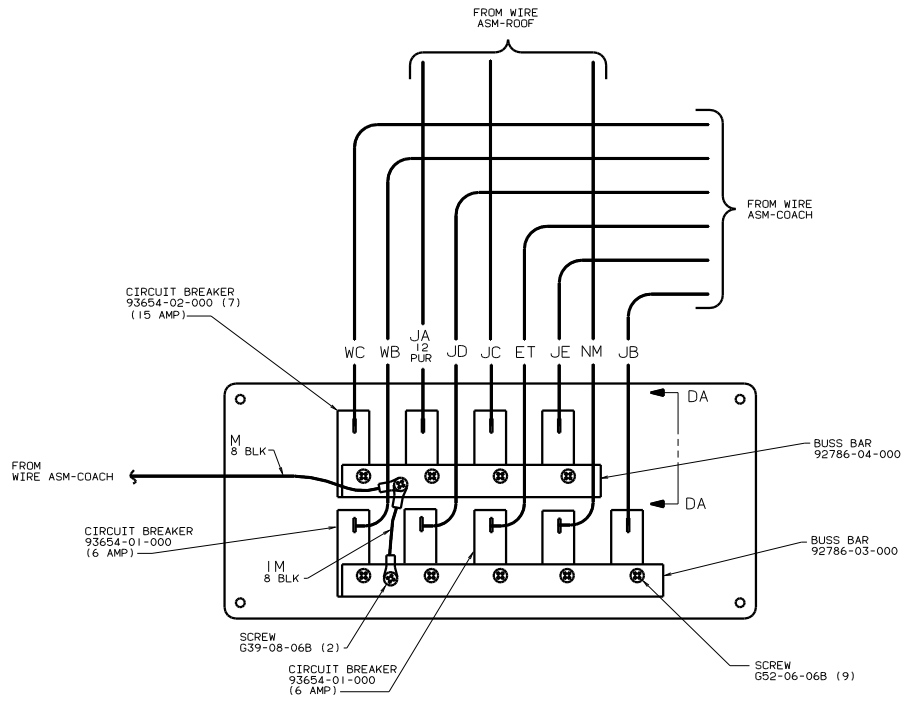
FOR ELECTRICAL CALLOUTS SEE DWG NO. 121339-01-000



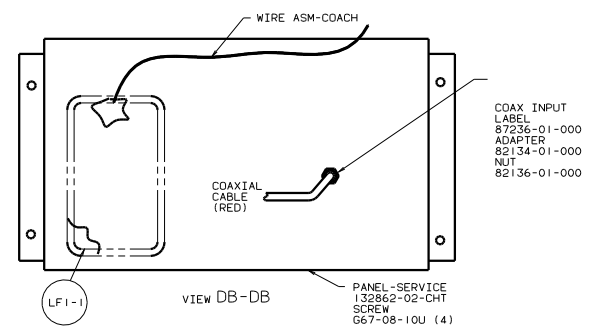
PNL-BRKR, 12V
(FRONT VIEW)



VIEW DA-DA



PNL-BRKR, 12V
(BACK VIEW)

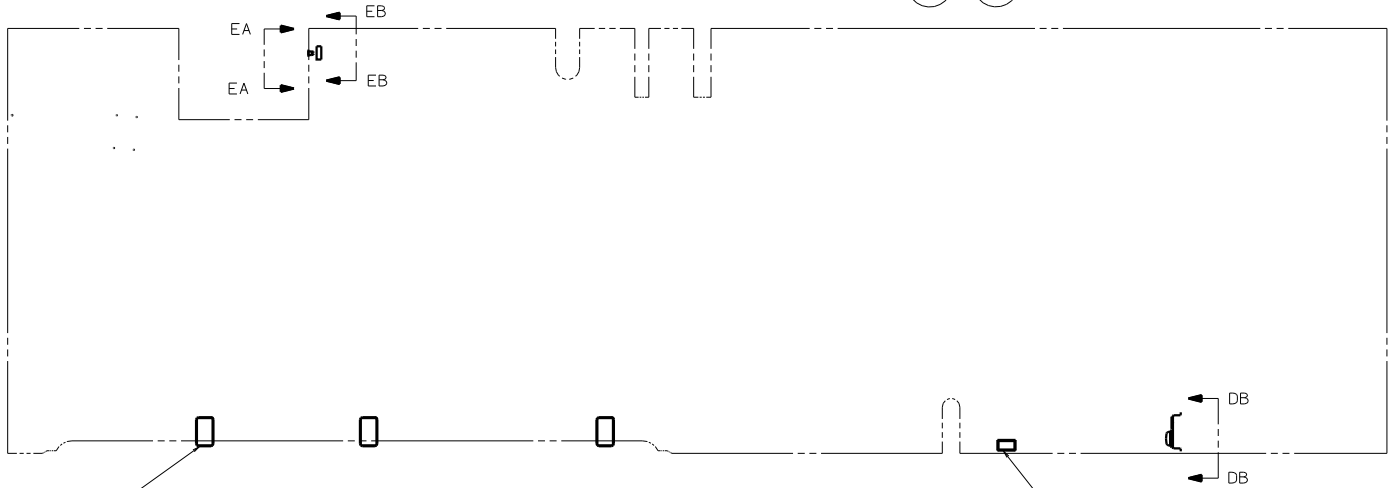
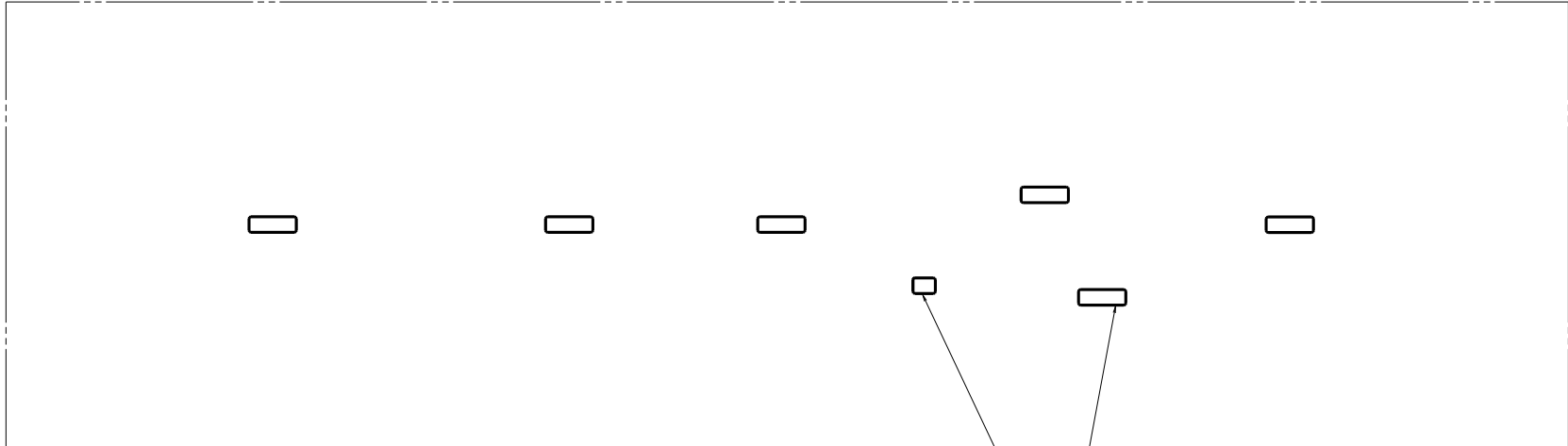


VIEW DB-DB

FOR ELECTRICAL
TORQUE
SPECIFICATIONS
SEE DWG NO
128783-01-000

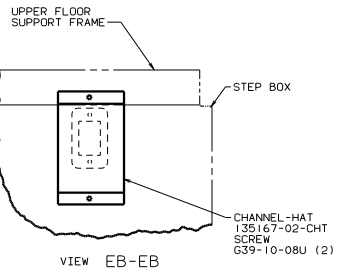
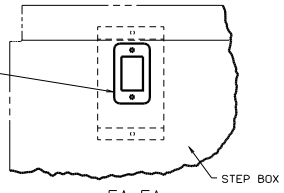
(265) CODES/STANDARDS-CSA/CMVSS
(1B1) CODES/STANDARDS USA
(1B1) (265) 00 F33V

WIRING INSTL-BODY, 12V(BP)
SHEET 4 of 8



LF1-1
3

SWITCH-BATTERY DISC
108357-06-000
ACTUATOR-SWITCH
108356-11-CHT
PLATE-SWITCH
98351-07-CHT
SCREW
G11-06-16U (2)



LAMP-COMPARTMENT
TORQUE
86280-01-CHT
SCREW
G11-08-12B (2)
CONNECTOR
58028-01-000

⚠ LAMPS TO BE MOUNTED WITH SWITCH OUTBOARD AND 75 +/- 15 FROM EDGE OF FLOOR, UNLESS OTHERWISE SPECIFIED.

NOTES:

FOR ELECTRICAL TORQUE SPECIFICATIONS SEE DWG NO. 128783-01-000

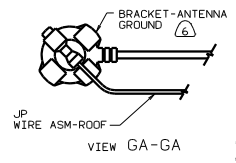
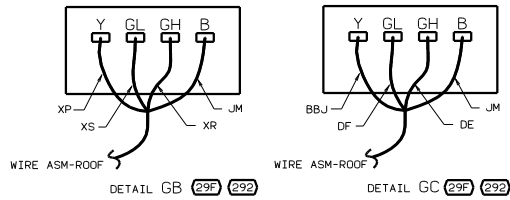
(X-X)

FOR ELECTRICAL CALLOUTS SEE DWG NO. 121339-01-000

(265) CODES/STANDARDS-CSA/CMVSS
(1B1) CODES STANDARDS/USA

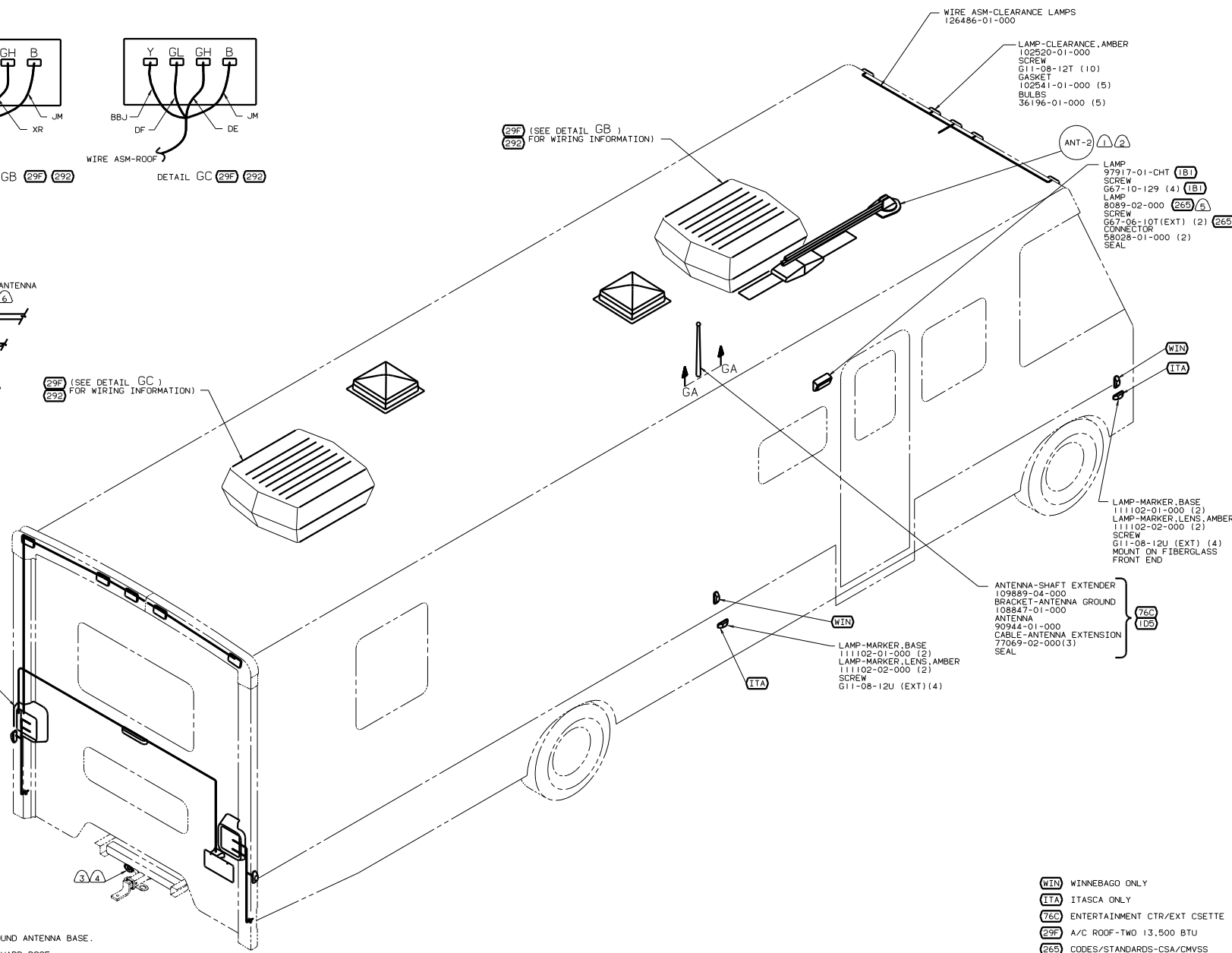
(1B1) (265) 00 F33V

FILE: WIRING INSTL-BODY.12V(LAMPS)
SHEET 5 OF 7
134330



(29F) (SEE DETAIL GC) FOR WIRING INFORMATION

(29F) (SEE DETAIL GB) FOR WIRING INFORMATION



SEE SHEET 7 FOR ADDITION INFORMATION

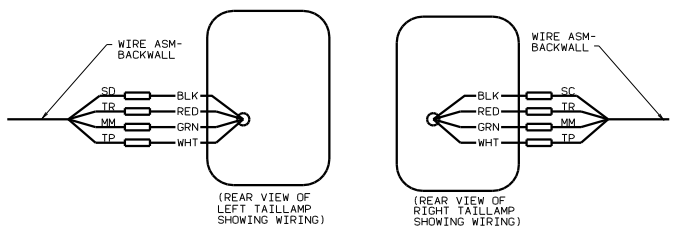
- NOTES:
- (A) WRAP BRACKET LEGS AROUND ANTENNA BASE.
 - (B) INSTALL WITH WIRES TOWARD ROOF.
 - (C) CONNECTOR-PLUG, TRAILER 113589-01-000 TO BE SUPPLIED LOOSE IN COACH WITH TRAILER TOWING PACKAGE.
 - (D) INSTALL RUBBER BOOT, SUPPLIED WITH CONNECTOR SOCKET ON WIRE ASM BEFORE WIRING SOCKET.
 - (E) ADD RUBBER BUMPER TO ANTENNA UNDER EACH END OF ANTENNA WHEN IN DOWN POSITION WHICH MAY COME IN CONTACT WITH ROOF.
 - (F) SEE DRAWING 76319-01-000 FOR INSTALLATION OF TV ANTENNA.

- (WIN) WINNEBAGO ONLY
- (ITA) ITASCA ONLY
- (76C) ENTERTAINMENT CTR/EXT CSETTE
- (29F) A/C ROOF-TWO 13,500 BTU
- (265) CODES/STANDARDS-CSA/CMVSS
- (292) A/C ROOF-HIGH EFFICIENCY
- (1D5) ENTERTAINMENT CTR-EXT-W/CD
- (1B1) CODES STANDARDS/JUSA

(X-X) FOR ELECTRICAL CALLOUTS SEE DWG NO. 121339-01-000

FOR ELECTRICAL TORQUE SPECIFICATIONS SEE DWG NO. 126783-01-000

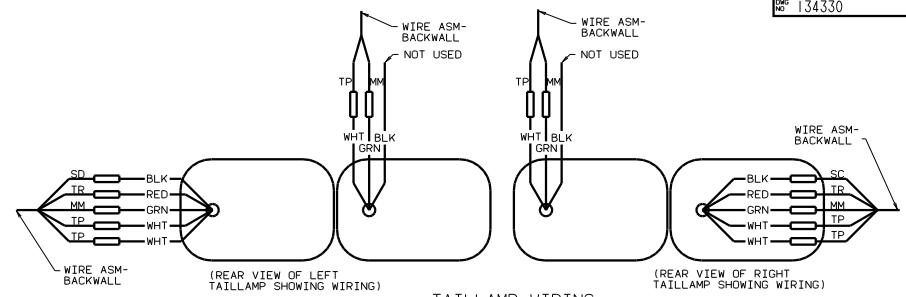
(1B1) (265) 00 F33V
TITLE: WIRING INSTL - BODY, 12V (EXT)
DRAWN BY: [blank] DATE: [blank]
CHECKED BY: [blank] DATE: [blank]
SHEET 6 OF 7 FILE NO. 134330



(REAR VIEW OF LEFT TAILLAMP SHOWING WIRING)

(REAR VIEW OF RIGHT TAILLAMP SHOWING WIRING)

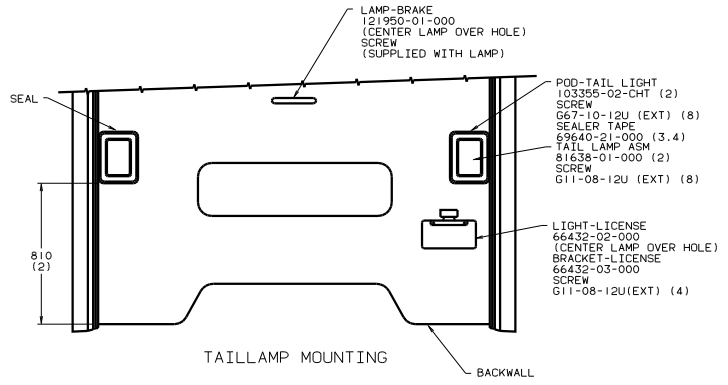
TAILLAMP WIRING



(REAR VIEW OF LEFT TAILLAMP SHOWING WIRING)

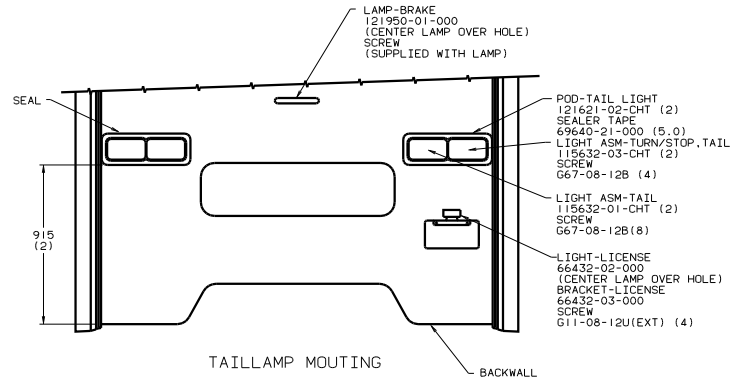
(REAR VIEW OF RIGHT TAILLAMP SHOWING WIRING)

TAILLAMP WIRING



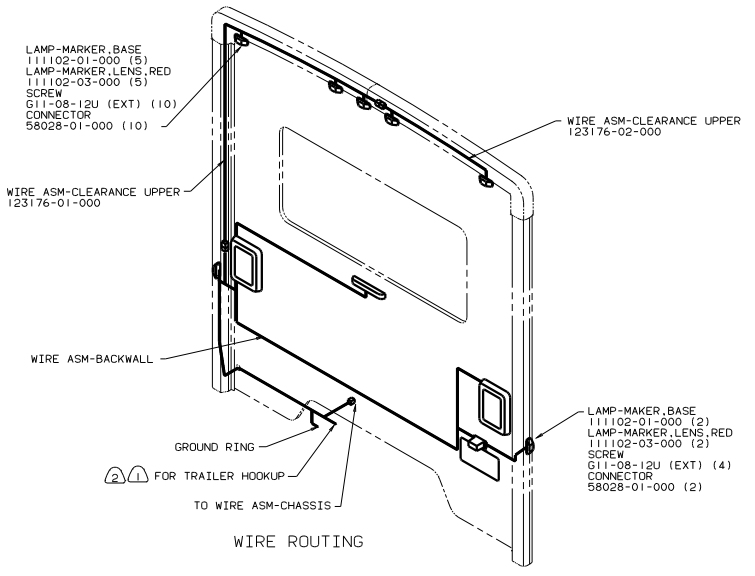
TAILLAMP MOUNTING

BACKWALL

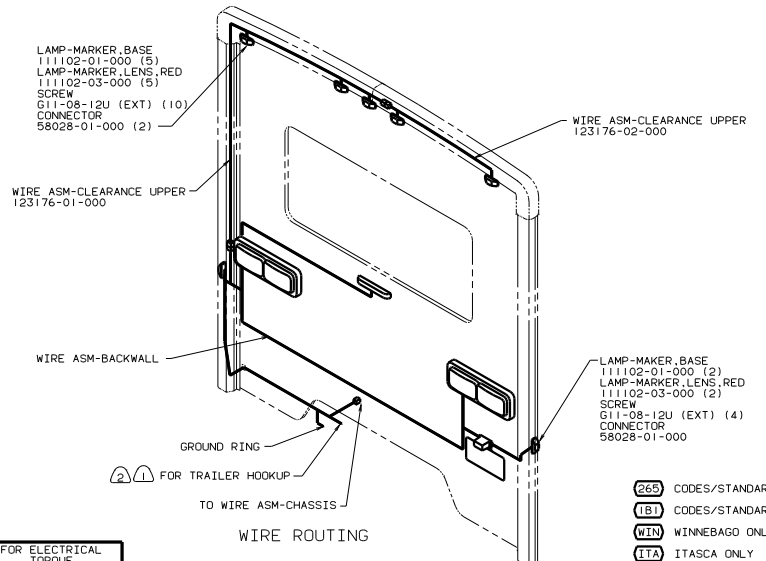


TAILLAMP MOUNTING

BACKWALL



WIRE ROUTING



WIRE ROUTING

- (2) CONNECTOR-PLUG, TRAILER 113589-01-000 TO BE SUPPLIED LOOSE IN COACH WITH TRAILER TOWING PACKAGE.
- (1) TAPE BRANCH BACK ALONG WIRE ASM WITH TAPE 8363-01-000.

WIN

FOR ELECTRICAL TORQUE SPECIFICATIONS SEE DWG NO. 128783-01-000

ITA

- (265) CODES/STANDARDS-CSA/CMVSS
- (IB1) CODES/STANDARDS USA
- (WIN) WINNEBAGO ONLY
- (ITA) ITASCA ONLY