



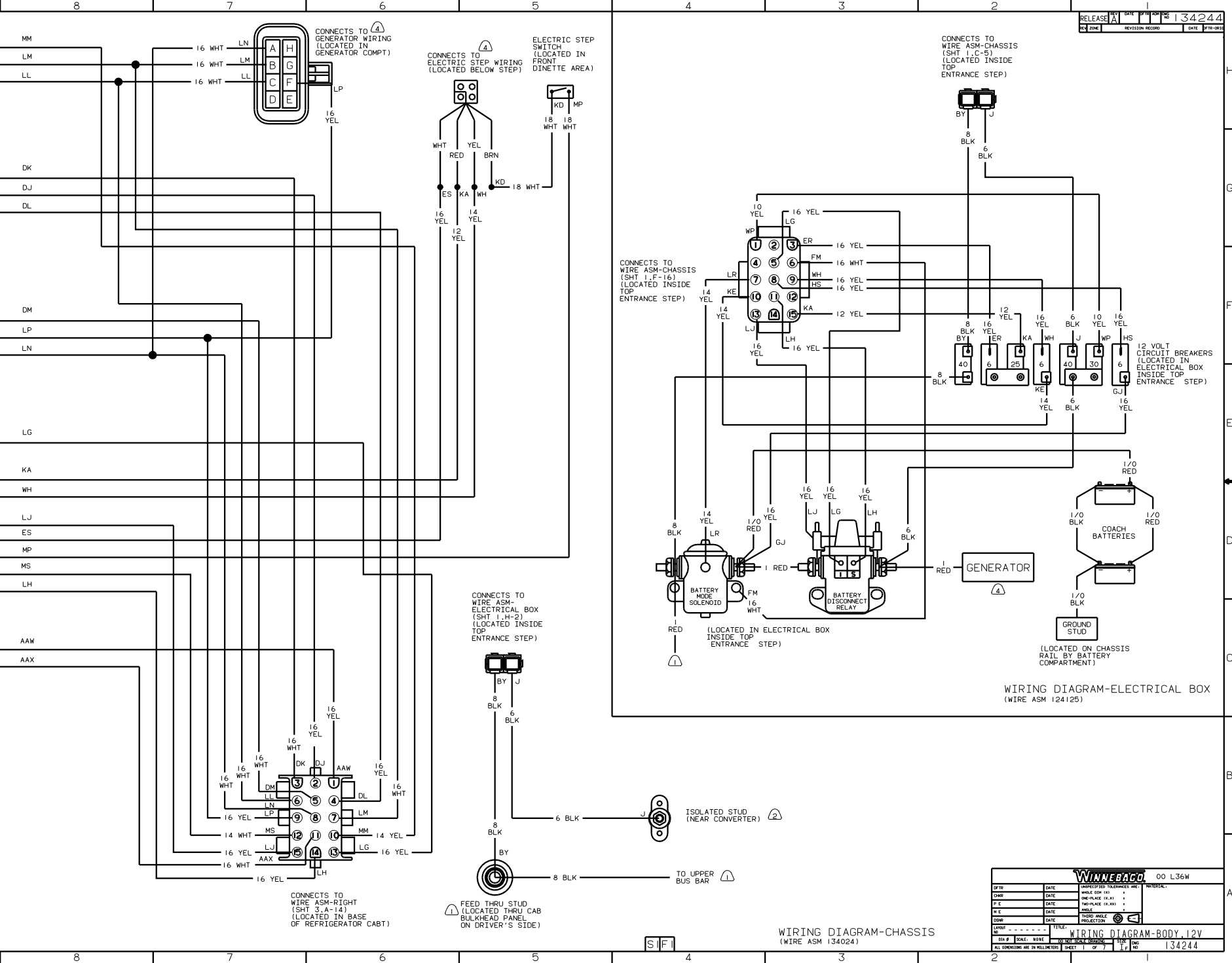
DANGER

Danger of electrical shock, burns or death. Always remove all power sources before attempting any repair, service or diagnostic work. Power can be present from shore power, generator, inverter or battery. All power sources must be disabled and secured before performing any service.



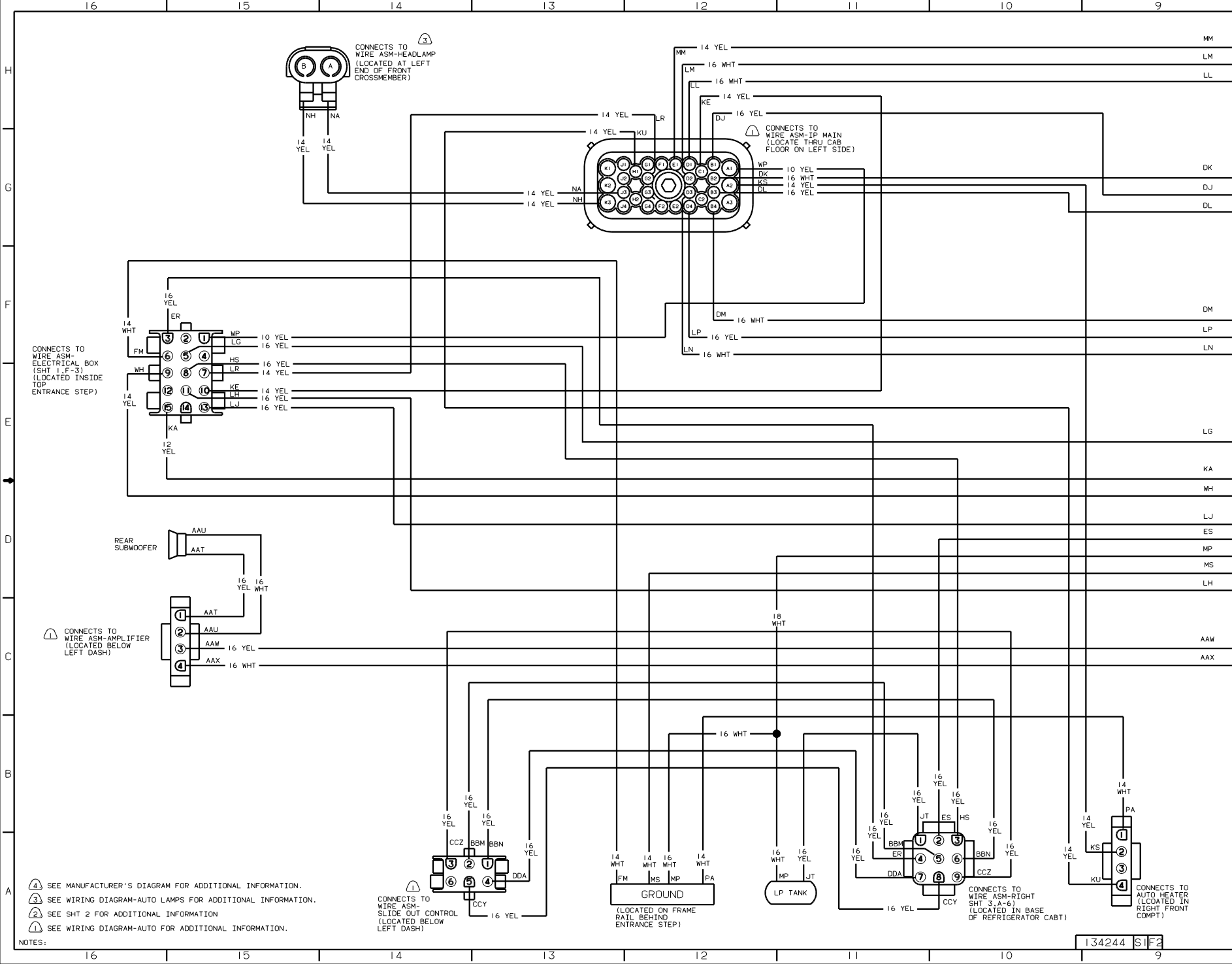
CAUTION

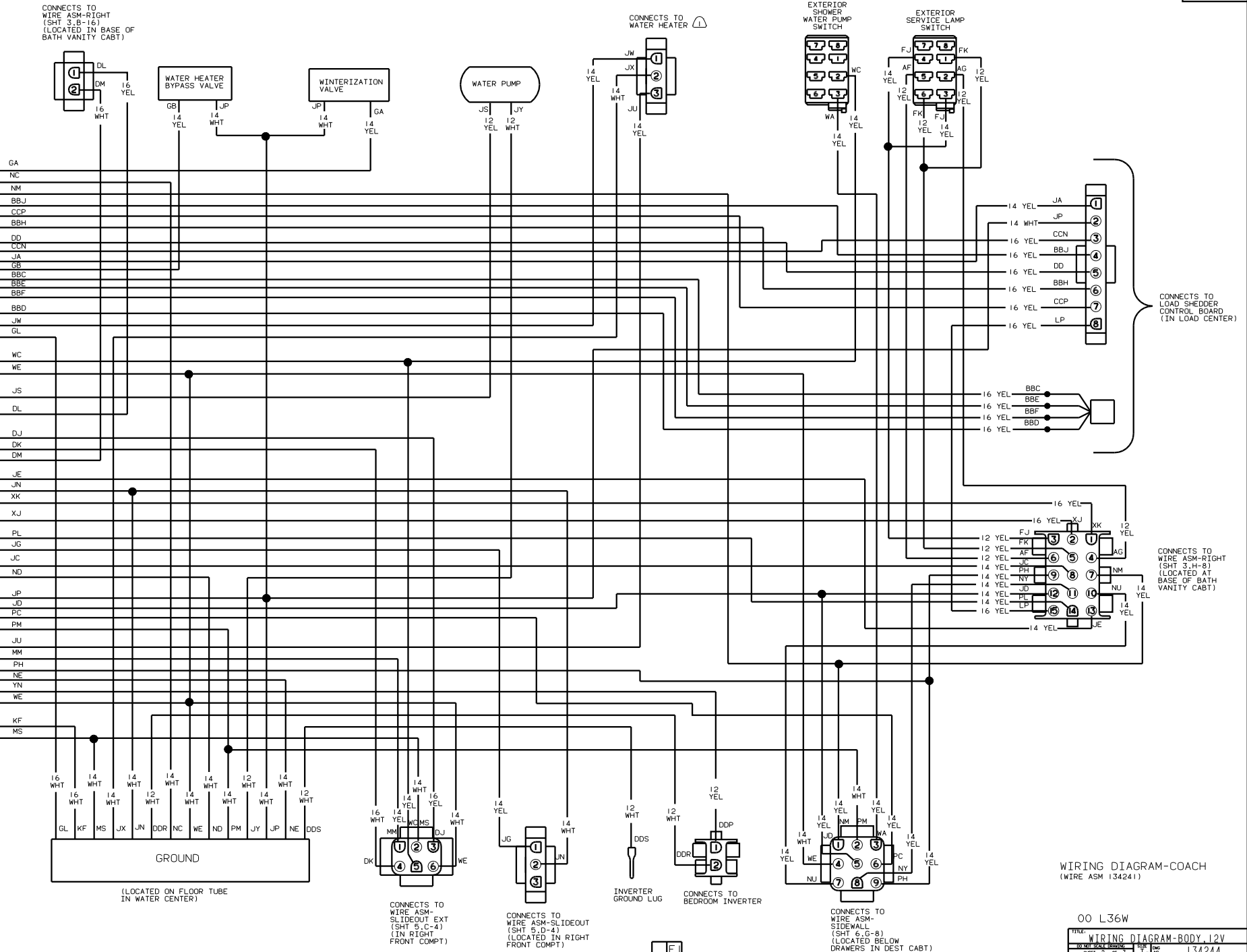
If you lack the skills, tools or equipment to perform diagnostic or repair work leave such work to an authorized Winnebago Industries dealer or other qualified shop.

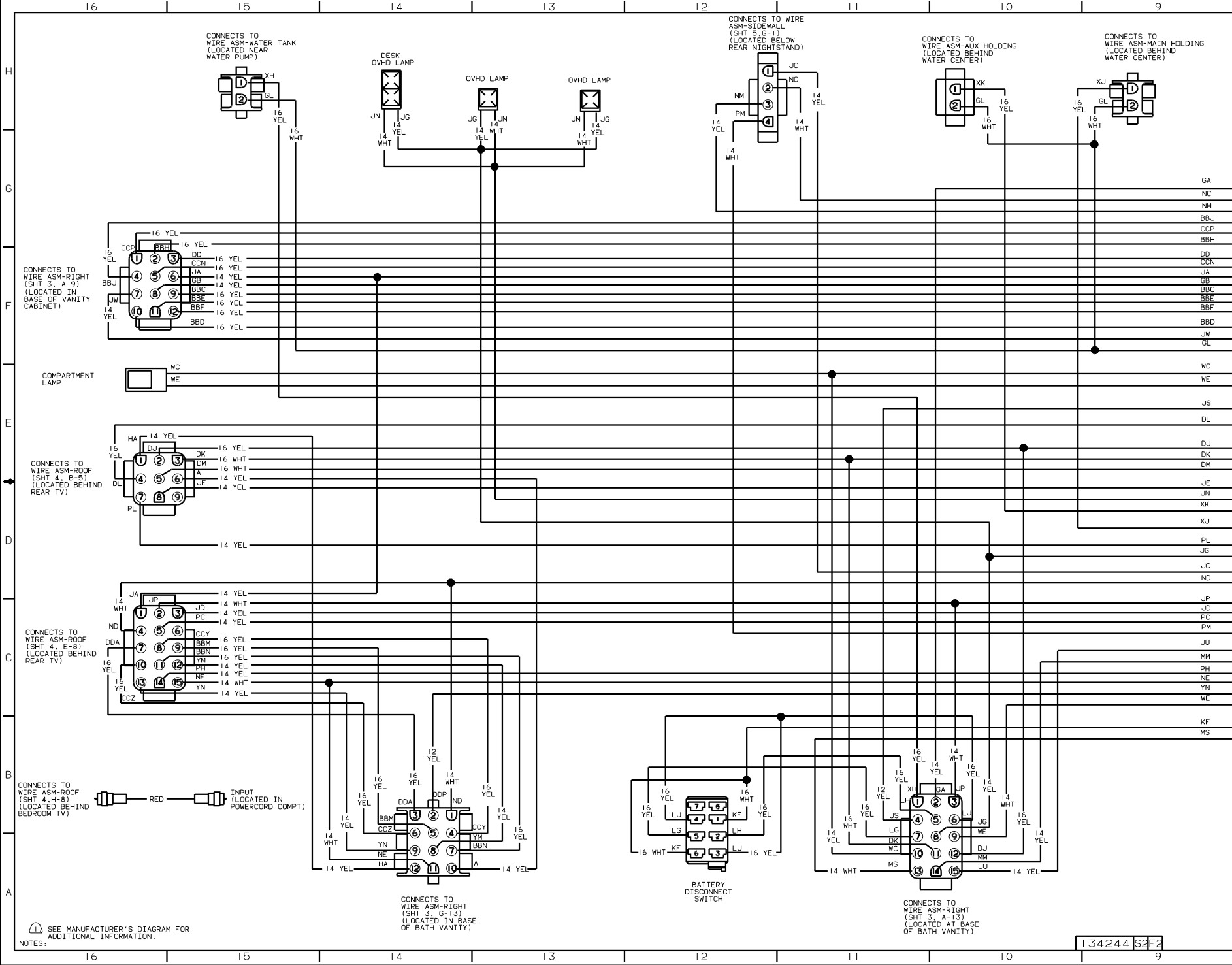


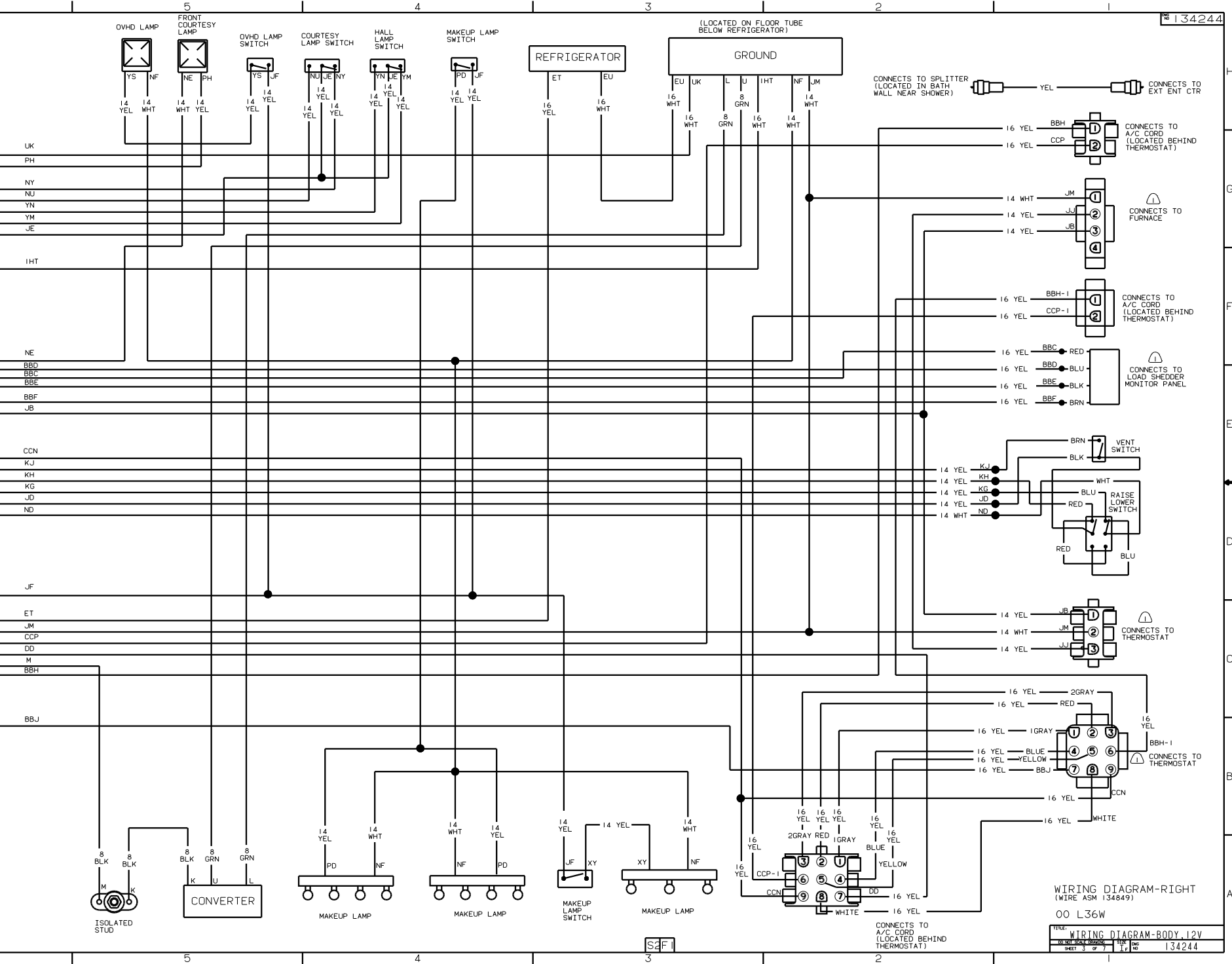
DPTD		DATE	UNDESIGNED TOLERANCES ARE	MATERIAL
CHKD	DATE	BY	WALE FOR (1)	
P.E.	DATE	BY	WALE FOR (1)	
WTE	DATE	BY	WALE FOR (1)	
CHKD	DATE	BY	WALE FOR (1)	
CHKD	DATE	BY	WALE FOR (1)	
LAYOUT		TITLE		
SHEET 1 OF 7		WIRING DIAGRAM-BODY.12V		
ALL DIMENSIONS ARE IN MILLIMETERS		SHEET 1 OF 7		

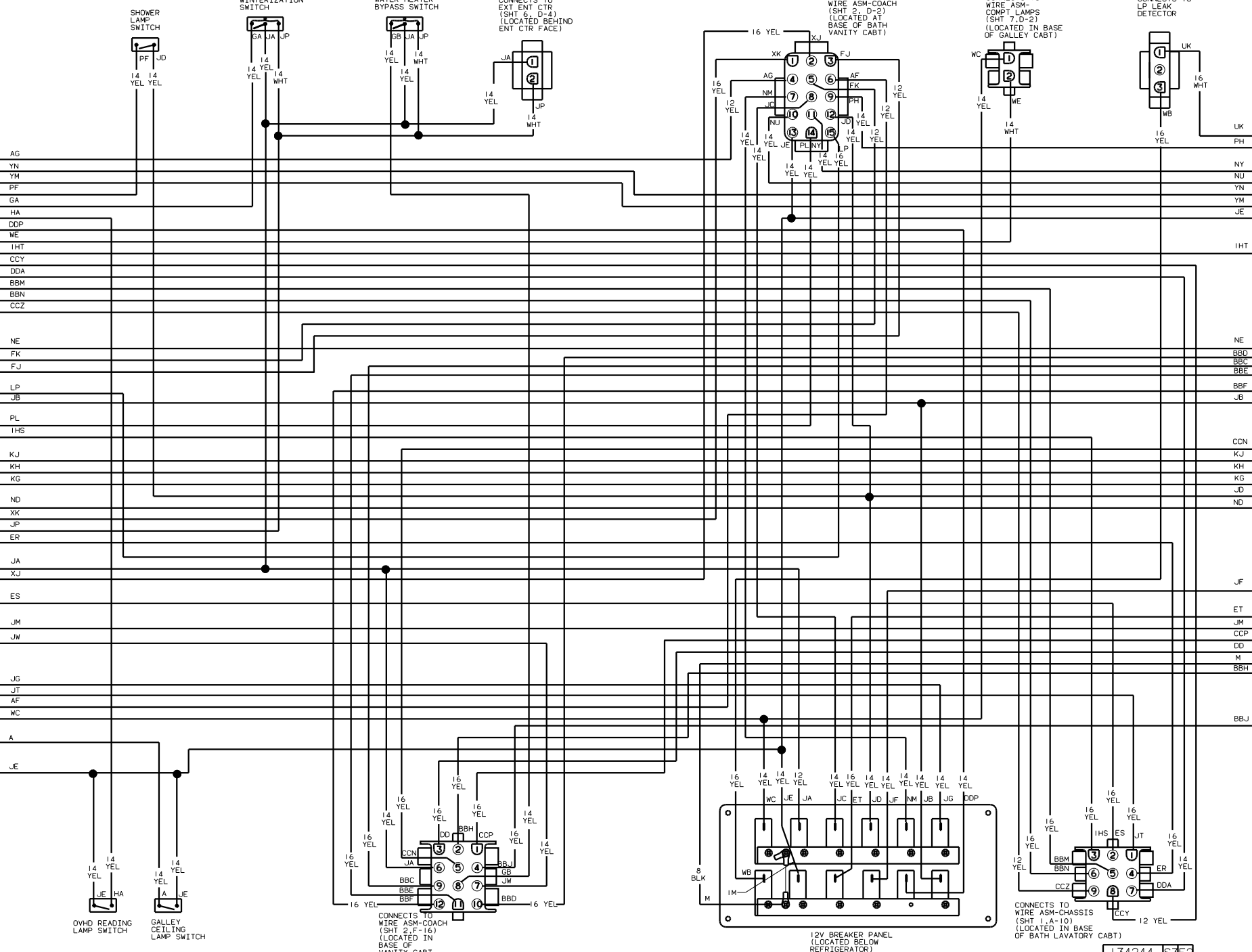
SFI

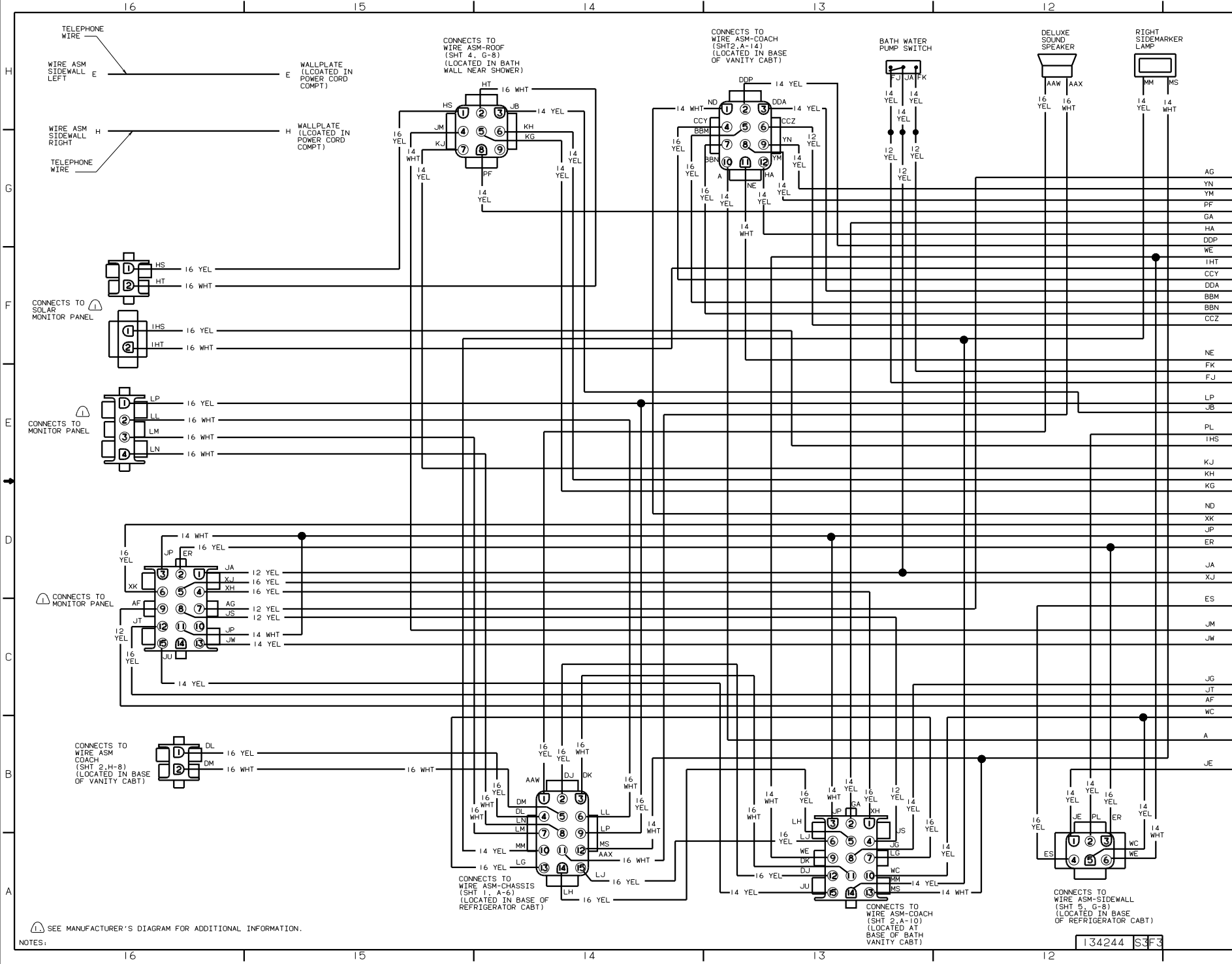












TELEPHONE WIRE

WIRE ASM SIDEWALL LEFT

WALLPLATE (LOCATED IN POWER CORD COMPT)

WIRE ASM SIDEWALL RIGHT

TELEPHONE WIRE

WALLPLATE (LOCATED IN POWER CORD COMPT)

CONNECTS TO WIRE ASM-ROOF (SHT 4, G-8) (LOCATED IN BATH WALL NEAR SHOWER)

CONNECTS TO WIRE ASM-COACH (SHT2,A-14) (LOCATED IN BASE OF VANITY CABT)

BATH WATER PUMP SWITCH

DELUXE SOUND SPEAKER

RIGHT SIDEMARKER LAMP

CONNECTS TO SOLAR MONITOR PANEL

CONNECTS TO MONITOR PANEL

CONNECTS TO MONITOR PANEL

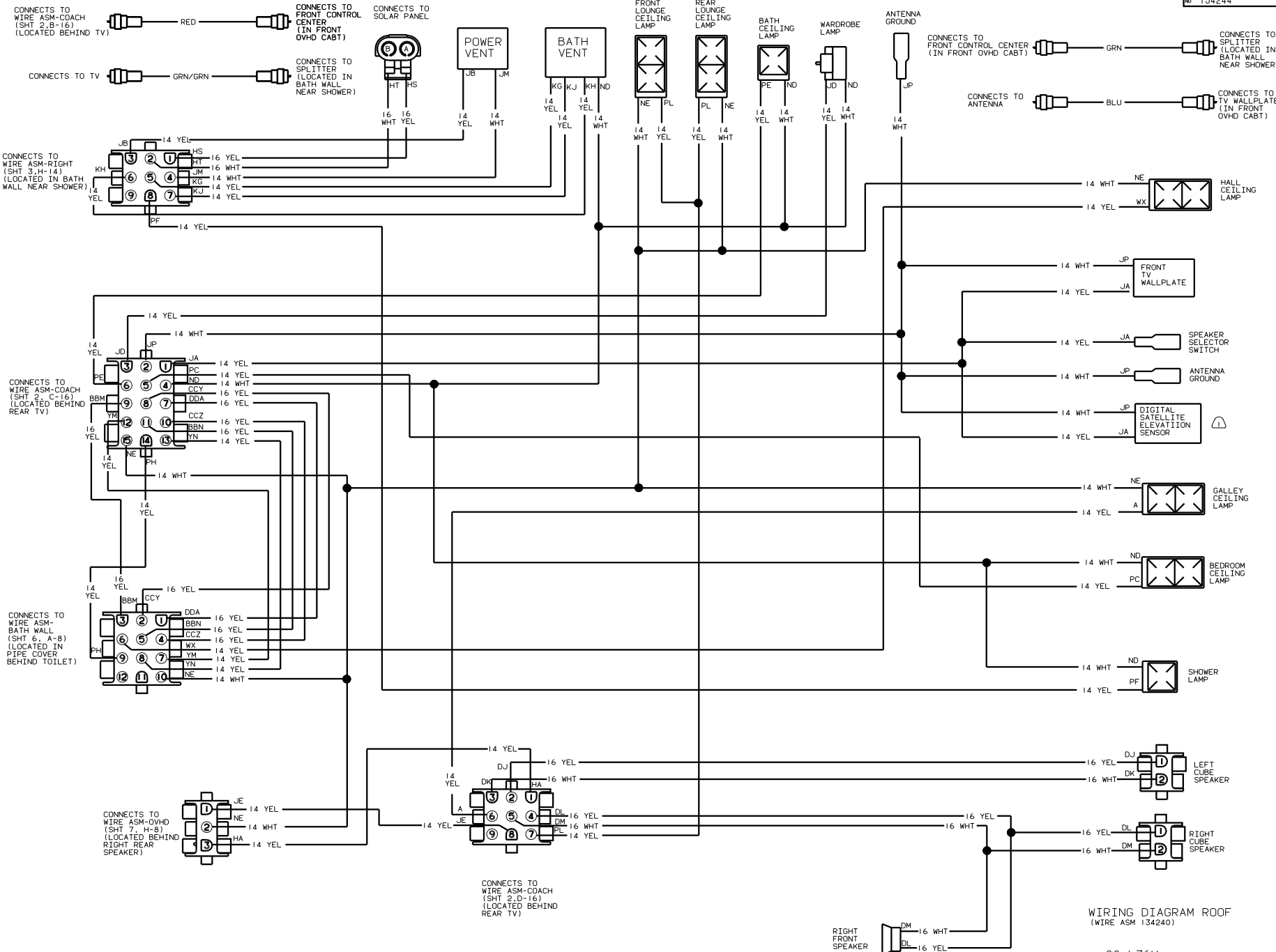
CONNECTS TO WIRE ASM-COACH (SHT 2,H-8) (LOCATED IN BASE OF VANITY CABT)

CONNECTS TO WIRE ASM-CHASSIS (SHT 1, A-6) (LOCATED IN BASE OF REFRIGERATOR CABT)

CONNECTS TO WIRE ASM-COACH (SHT 2 A-10) (LOCATED AT BASE OF BATH VANITY CABT)

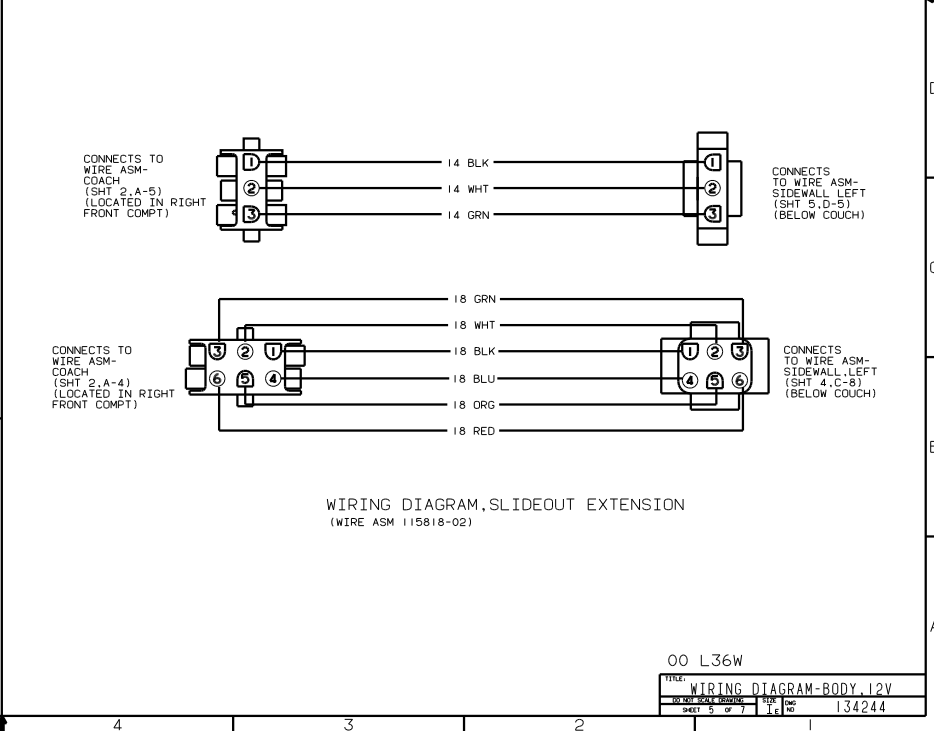
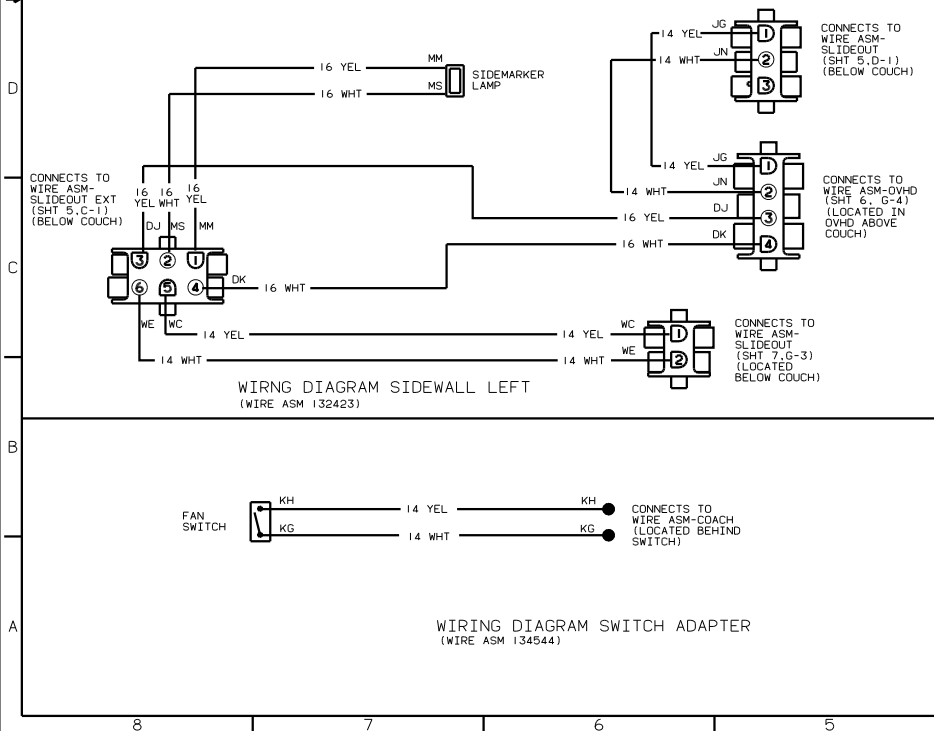
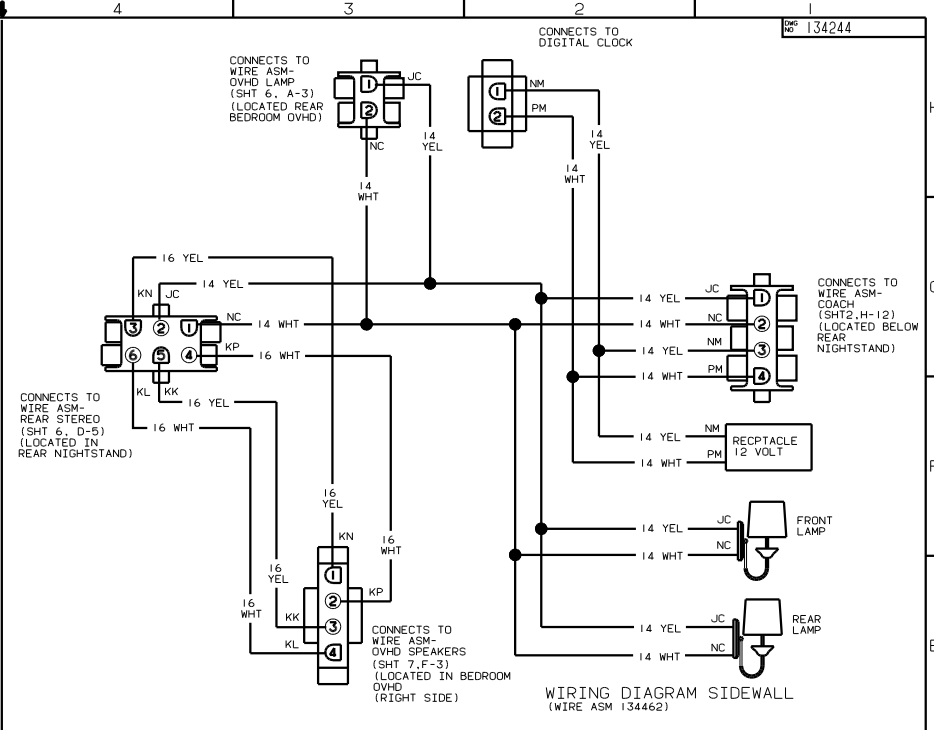
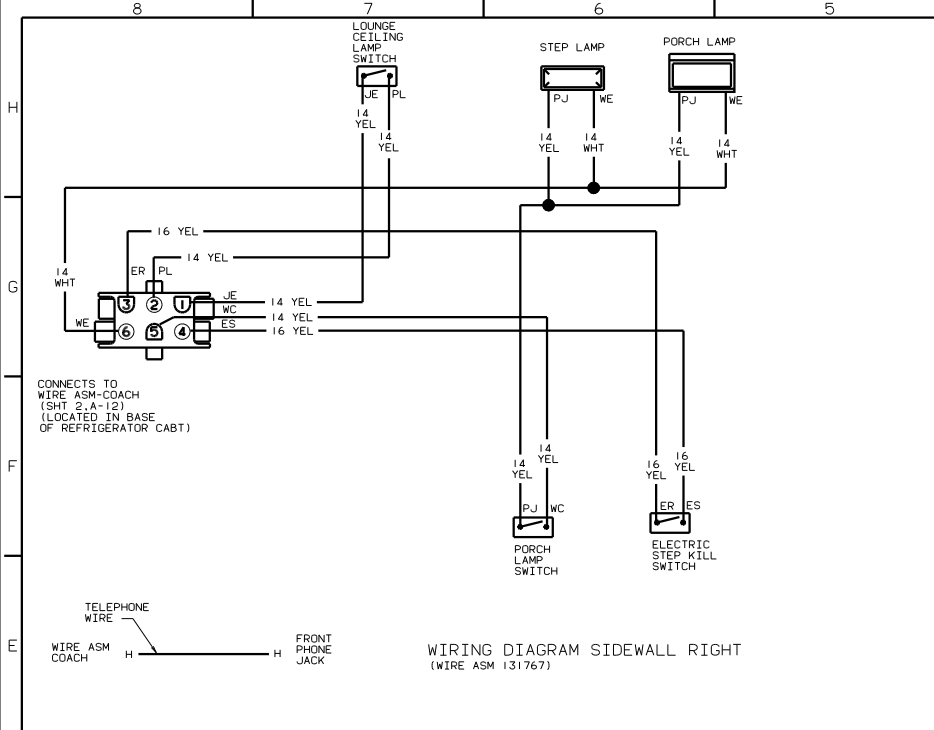
CONNECTS TO WIRE ASM-SIDEWALL (SHT 5, G-8) (LOCATED IN BASE OF REFRIGERATOR CABT)

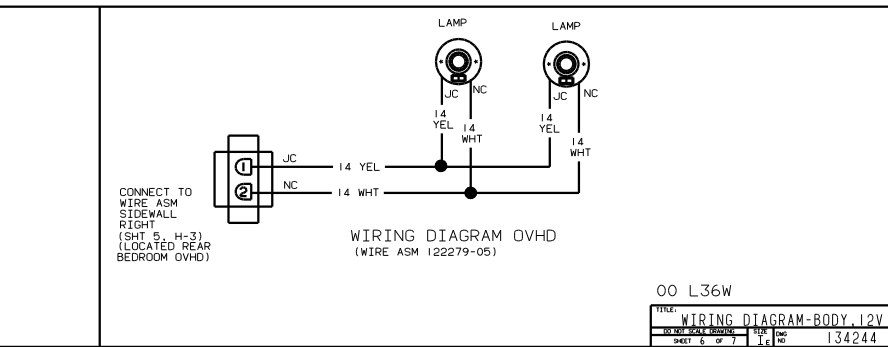
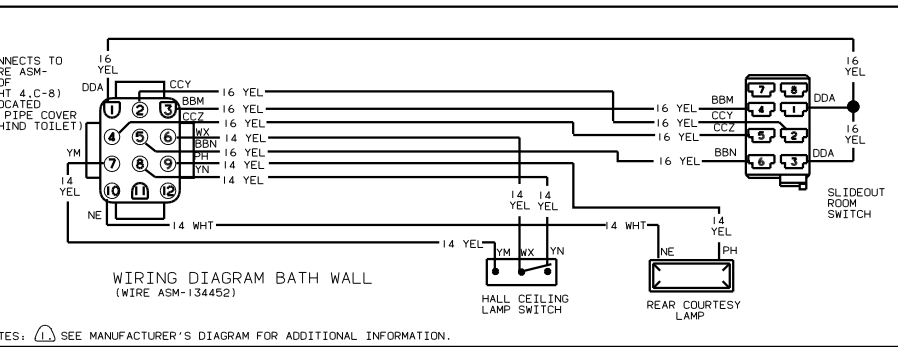
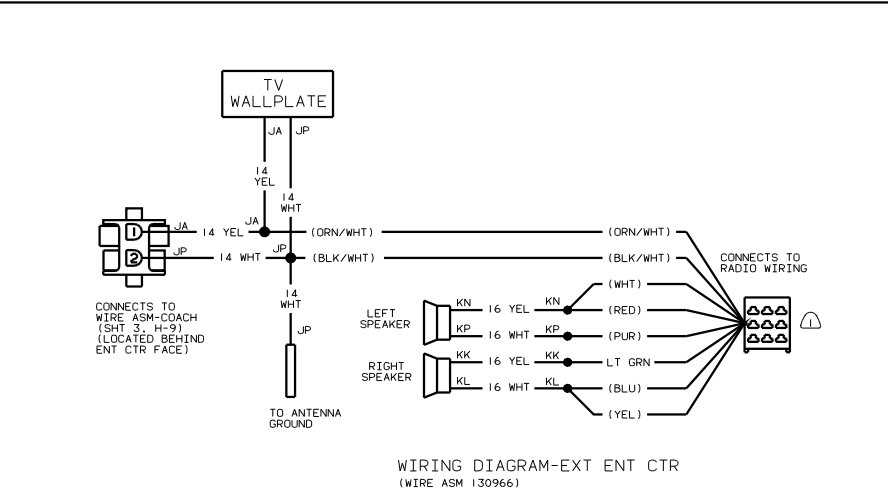
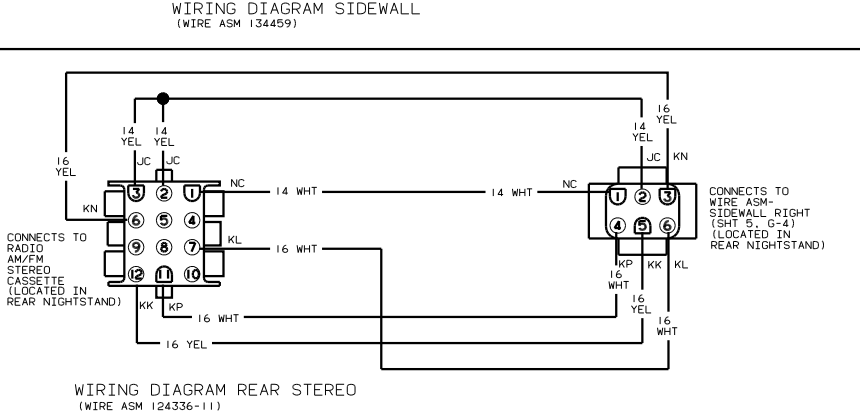
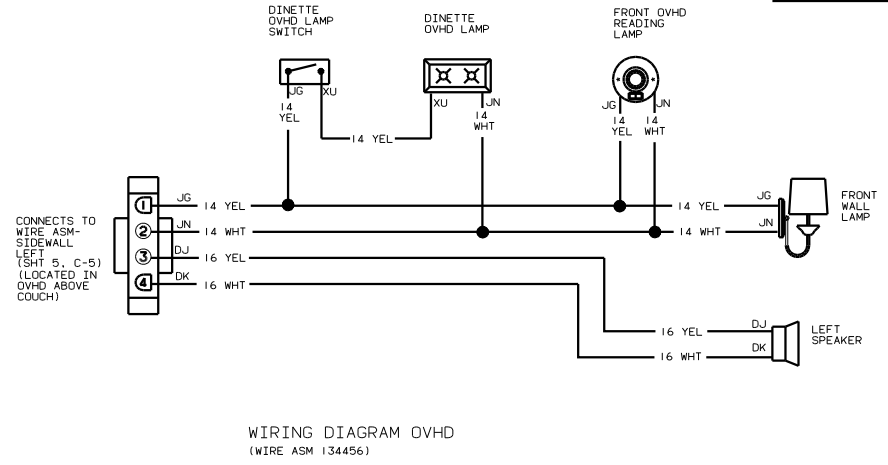
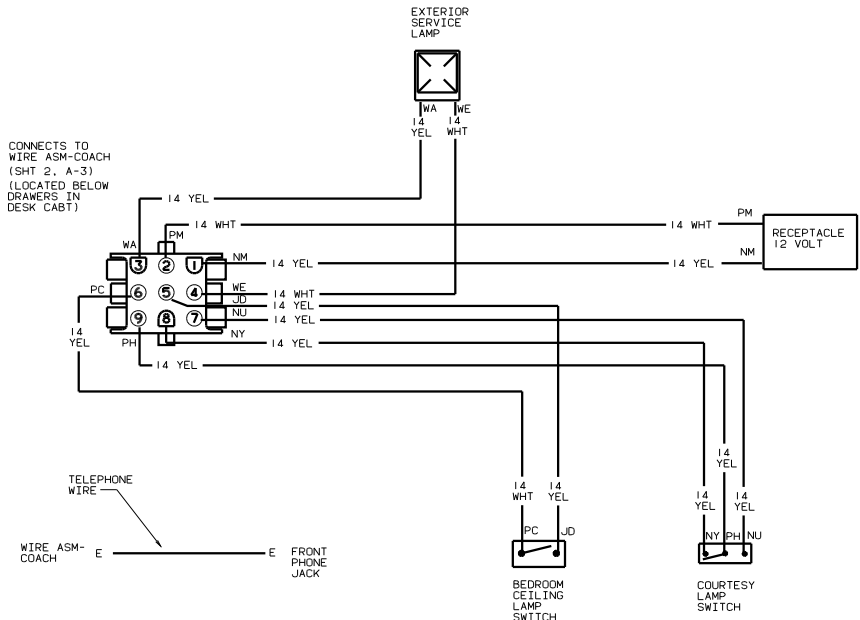
NOTES: SEE MANUFACTURER'S DIAGRAM FOR ADDITIONAL INFORMATION.



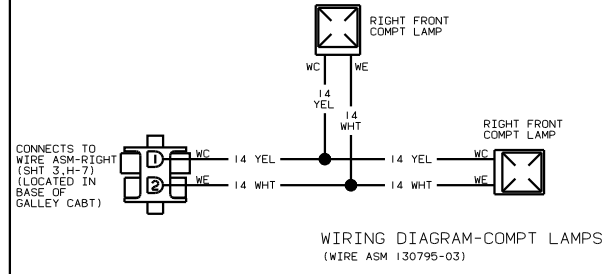
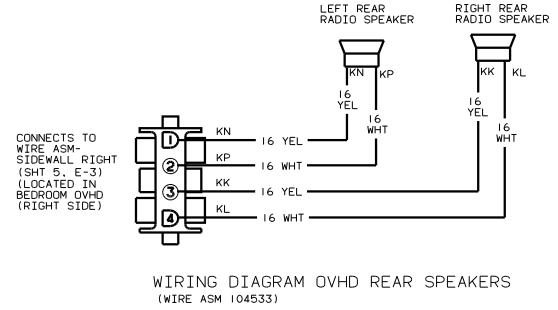
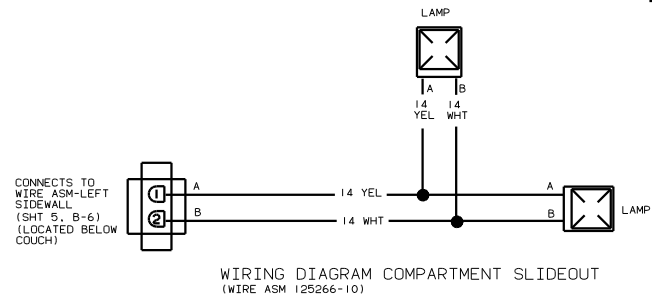
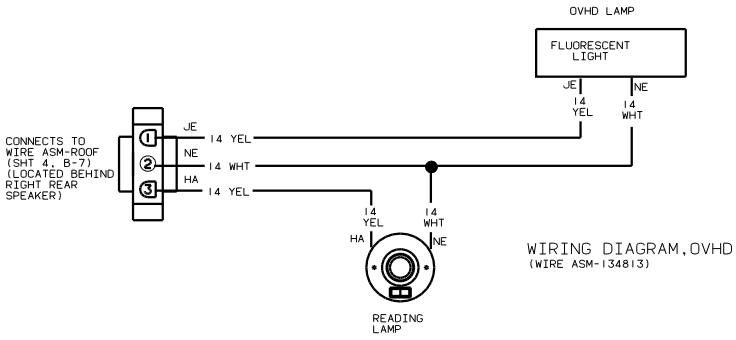
WIRING DIAGRAM ROOF (WIRE ASM 134240)

NOTES: SEE MANUFACTURER'S DIAGRAM FOR ADDITIONAL INFORMATION.





NOTES: SEE MANUFACTURER'S DIAGRAM FOR ADDITIONAL INFORMATION.



00 L36W