



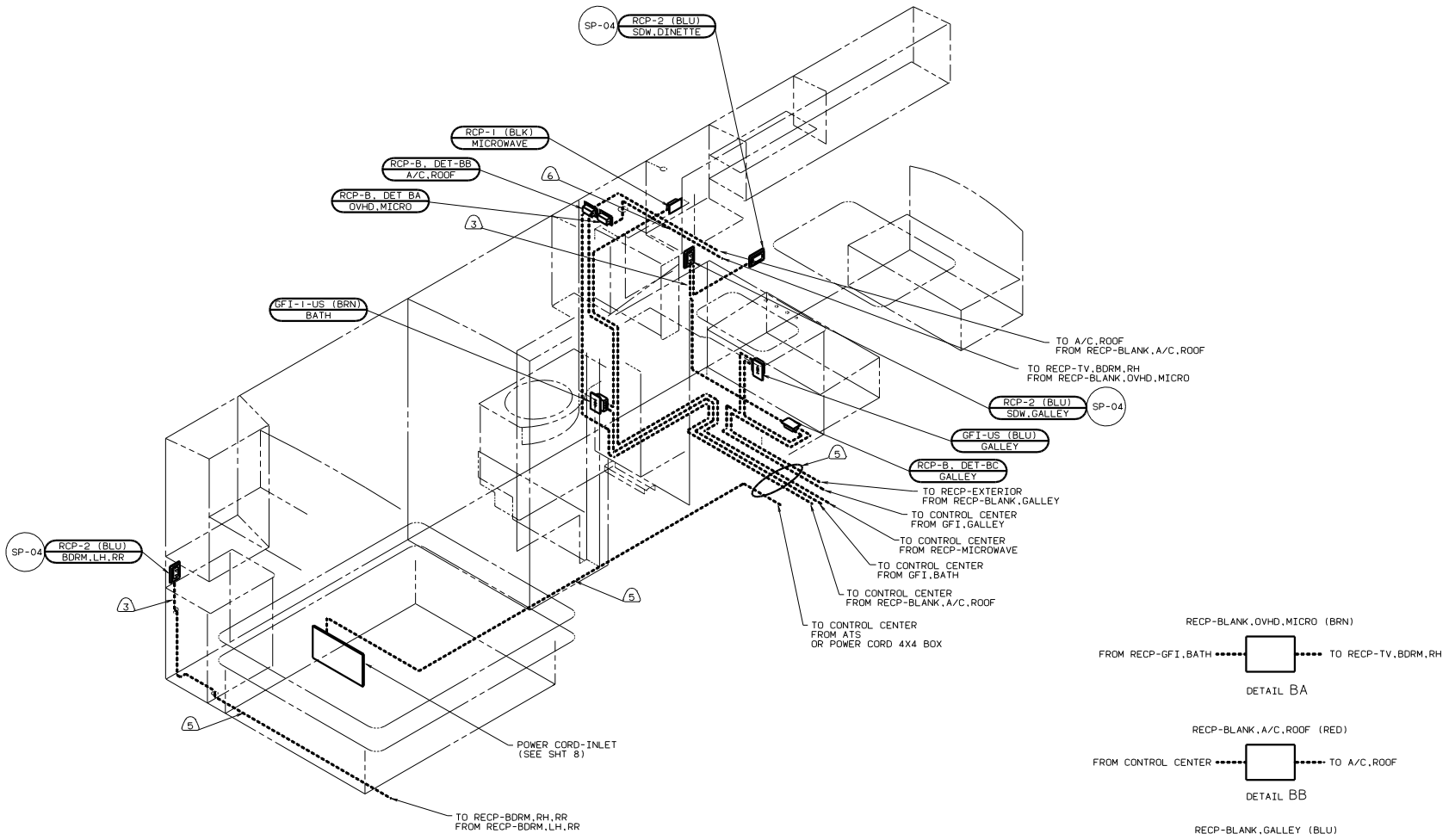
DANGER

Danger of electrical shock, burns or death. Always remove all power sources before attempting any repair, service or diagnostic work. Power can be present from shore power, generator, inverter or battery. All power sources must be disabled and secured before performing any service.



CAUTION

If you lack the skills, tools or equipment to perform diagnostic or repair work leave such work to an authorized Winnebago Industries dealer or other qualified shop.



- ⑤ WIRE IN ROOF.
 - ⑥ WIRE ROUTED BELOW FLOOR. CLAMP TO FLOOR AS NECESSARY WITH CLAMP 10497-01-000.
 - ④ SEE GENERATOR INSTL FOR ADDITIONAL INFORMATION.
 - ③ WIRE ROUTED THRU SIDEWALL.
2. ALL WIRES ARE TO BE CLAMPED WITH CLAMP 10495-05-000 WITHIN 200 OF OUTLET BOXES. USE SCREW G67-10-12B.
1. ALL WIRE TO BE CLAMPED WITH CLAMP 10495-01-000 OR CLIP 80734-01-000 EVERY 700. USE SCREW G67-10-12B UNLESS OTHERWISE SPECIFIED.

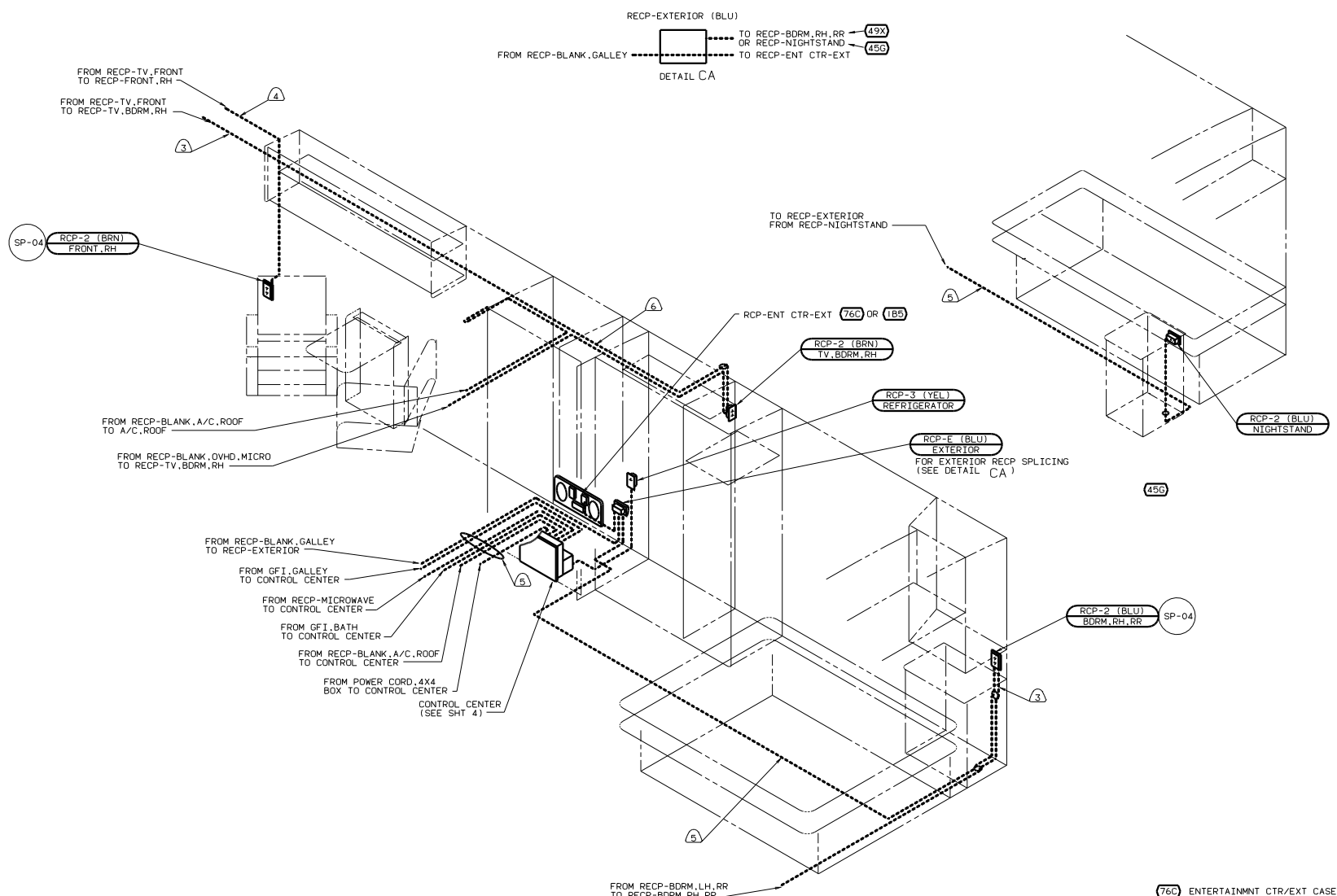
FOR ELECTRICAL TORQUE SPECIFICATIONS SEE DWG NO. 128783-01-000

FOR ELECTRICAL CALLOUTS SEE DWG NO. 121339-01-000

④⑨⑩ BED-QUEEN - BACKWALL
 ⑩⑫ ELECTRICAL SYSTEM 30 AMP
 ⑩⑪ CODES/STANDARDS USA
 00 F30A ⑩⑪ ⑩⑫

WIRING INSTL - BODY, 110V (1.30US)
 SHEET 2 OF 9

NOTES:



- ⑥ WIRE IN ROOF.
- ⑤ WIRE ROUTED BELOW FLOOR.
- ④ WIRE IN SIDEWALL.
- ③ WIRE ROUTED THRU SIDEWALL.

2. ALL WIRES ARE TO BE CLAMPED WITH CLAMP 10497-05-000 WITHIN 200 OF OUTLET BOXES. USE SCREW G67-10-12B.

1. ALL WIRE TO BE CLAMPED WITH CLAMP 10495-01-000 OR CLIP 80734-01-000 EVERY 700. USE SCREW G67-10-12B UNLESS OTHERWISE SPECIFIED.

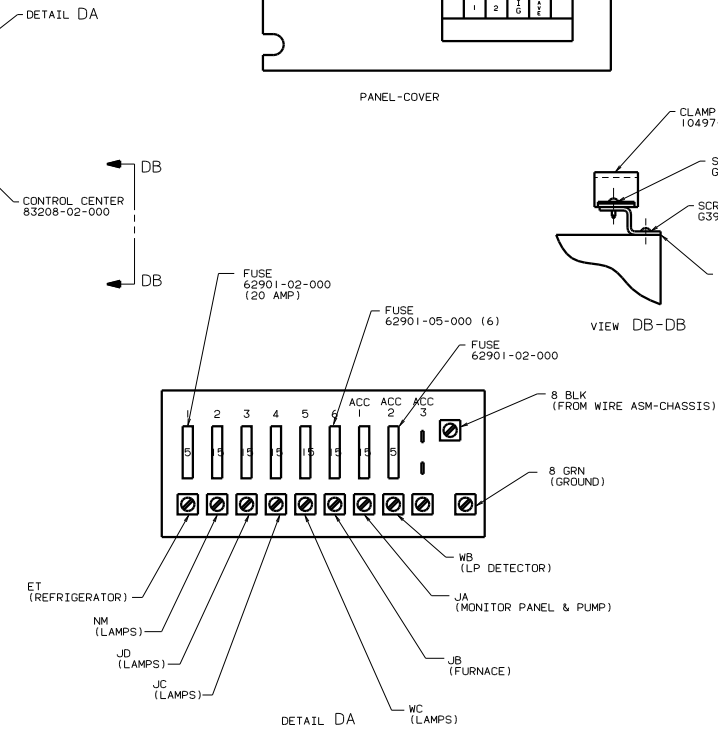
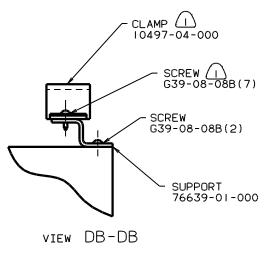
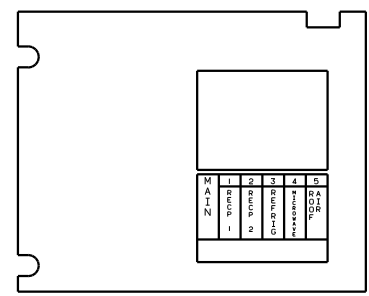
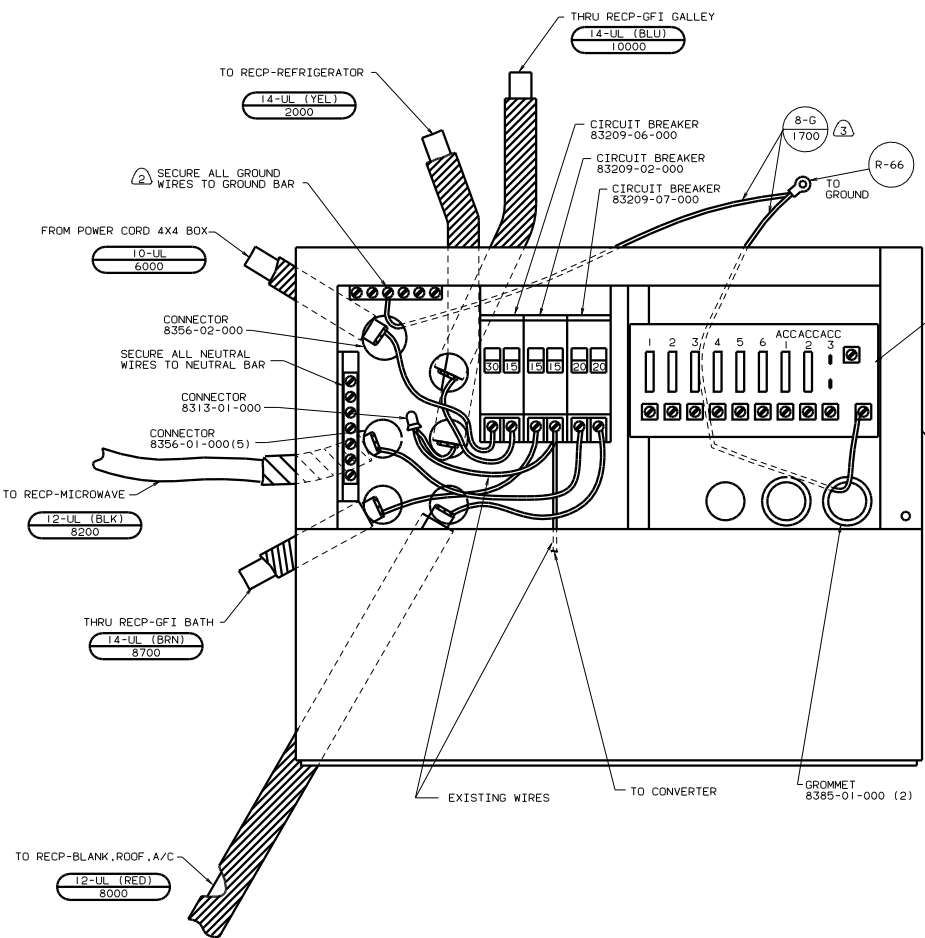
NOTES:

- ⑦⑥ ENTERTAINMNT CTR/EXT CASSETTE
- ④9X BED-QUEEN - BACKWALL
- ④5G BED-TWINS
- ①2D ELECTRICAL SYSTEM 30 AMP
- ①DS ENTERTAINMENT CTR/EXT W/CD
- ①B1 CODES/STANDARDS USA

FOR ELECTRICAL TORQUE SPECIFICATIONS SEE DWG NO. 128783-01-000

FOR ELECTRICAL CALLOUTS SEE DWG NO. 121339-01-000

00 F30A ①B1 ①2D
 WIRING INSTL - BODY, 110V (R30US)
 SHEET 3 OF 9
 134180



- NOTES:
- (3) WIRE W/O TERMINALS TO BE STRIPPED 10MM AND SOLDER DIPPED.
 - (2) ALL WIRES SHALL BE COVERED WITH CONDUIT-CONVOLUTE SLIT 41953-01-000, UNLESS OTHERWISE SPECIFIED, 600 LESS THAN CABLE LENGTH.
 - (1) FASTEN ALL WIRES TO SUPPORT, USE WITH ONE SCREW PER CLAMP.

FOR ELECTRICAL TORQUE SPECIFICATIONS SEE DWG NO. 128783-01-000

(X-X)

FOR ELECTRICAL CALLOUTS SEE DWG NO. 121339-01-000

(12D) ELECTRICAL SYSTEM 30 AMP

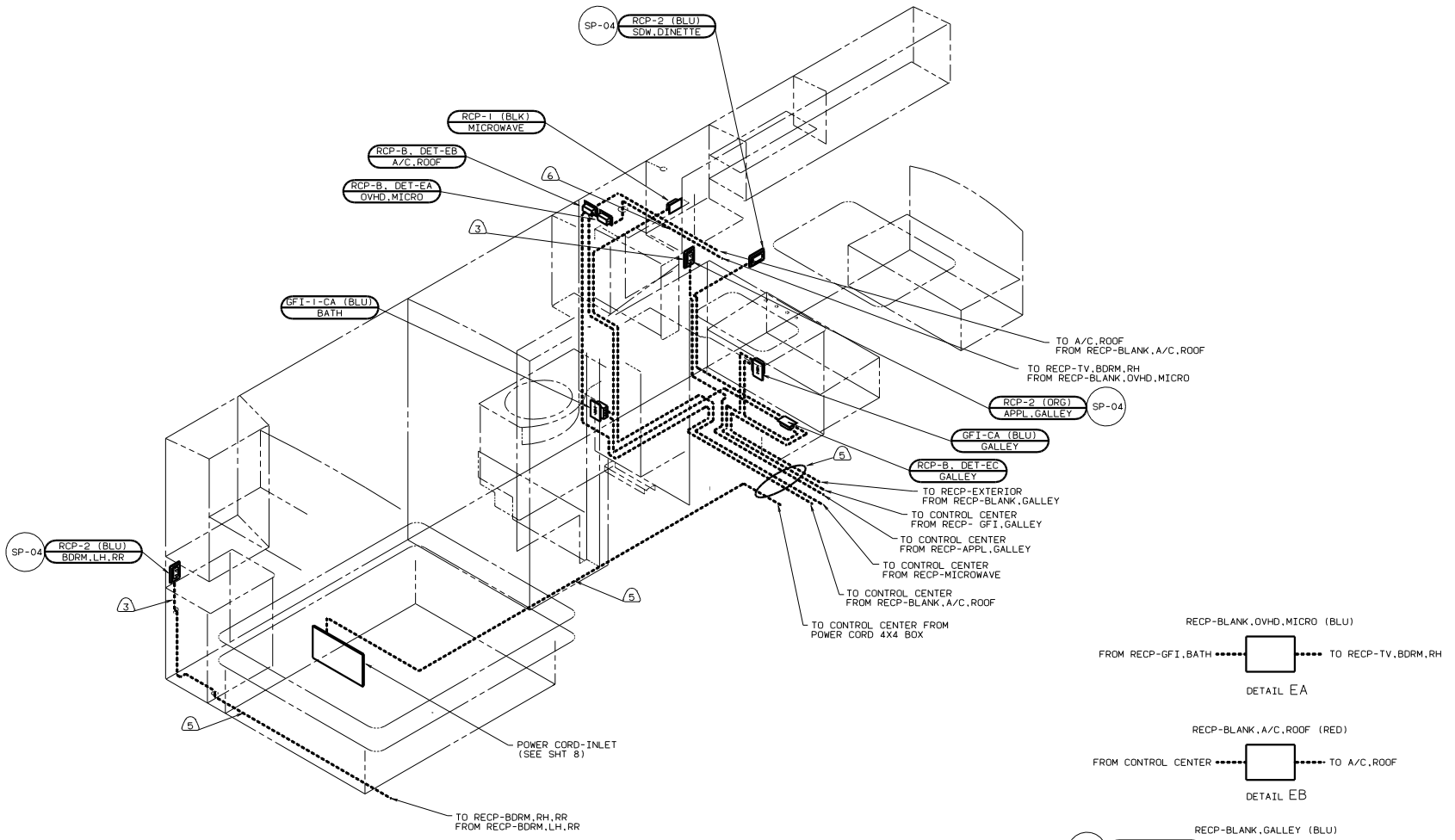
(1B1) CODES/STANDARDS USA

00 F30A (12D) (1B1)

WIRING INSTL-BODY, 110V(LC300S)

SHEET 4 OF 9

134180



- ⑤ WIRE IN ROOF.
 - ④ WIRE ROUTED BELOW FLOOR. CLAMP TO FLOOR AS NECESSARY WITH CLAMP 10497-01-000.
 - ③ SEE GENERATOR INSTL FOR ADDITIONAL INFORMATION.
 - ② WIRE ROUTED THRU SIDEWALL.
2. ALL WIRES ARE TO BE CLAMPED WITH CLAMP 10495-01-000 WITHIN 200 OF OUTLET BOXES. USE SCREW G67-10-12B.
1. ALL WIRE TO BE CLAMPED WITH CLAMP 10495-01-000 OR CLIP 80734-01-000 EVERY 700. USE SCREW G67-10-12B UNLESS OTHERWISE SPECIFIED.

FOR ELECTRICAL TORQUE SPECIFICATIONS SEE DWG NO. 128783-01-000

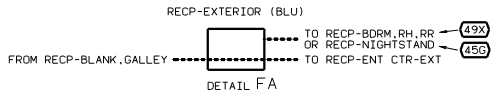
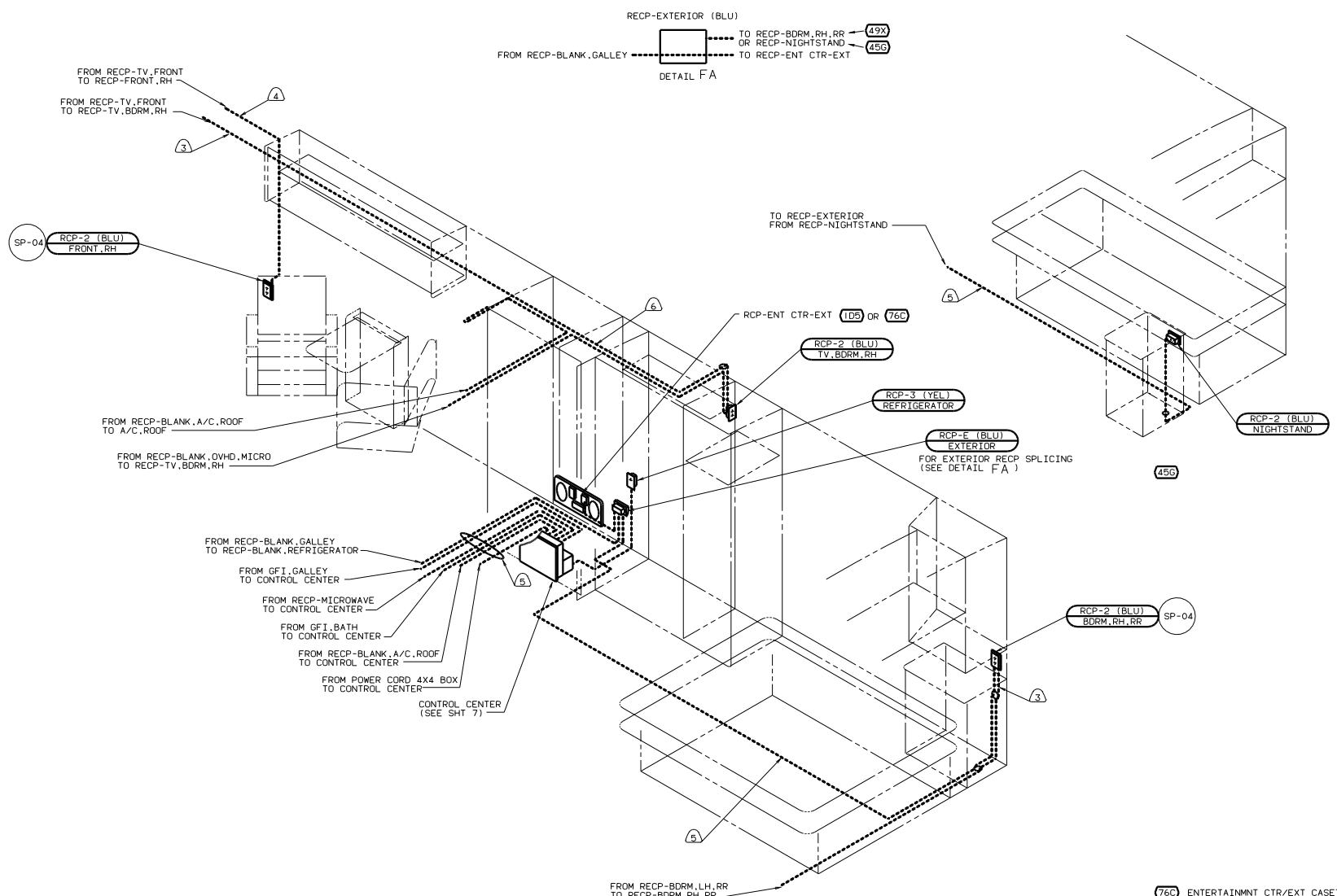
FOR ELECTRICAL CALLOUTS SEE DWG NO. 121339-01-000

④⑨ BED-QUEEN - BACKWALL

②⑥ CODES/STANDARDS-CSA/CMVSS

①① CODES/STANDARDS USA

00 F30A ②⑥⑤ ①②③



- ⑥ WIRE IN ROOF.
- ⑤ WIRE ROUTED BELOW FLOOR.
- ④ WIRE IN SIDEWALL.
- ③ WIRE ROUTED THRU SIDEWALL.

2. ALL WIRES ARE TO BE CLAMPED WITH CLAMP 10497-05-000 WITHIN 200 OF OUTLET BOXES. USE SCREW G67-10-12B.

1. ALL WIRE TO BE CLAMPED WITH CLAMP 10495-01-000 OR CLIP 80734-01-000 EVERY 700. USE SCREW G67-10-12B UNLESS OTHERWISE SPECIFIED.

NOTES:

- 76C ENTERTAINMENT CTR/EXT CASSETTE
 - 49X BED-QUEEN - BACKWALL
 - 45C BED-TWINS
 - 265 CODES/STANDARDS-CSA/CMVSS
 - 12D ELECTRICAL SYSTEM 30 AMP
 - 1D5 ENTERTAINMENT CTR/EXT W/CD
- 00 F30A (265) (12D)

FOR ELECTRICAL TORQUE SPECIFICATIONS SEE DWG NO. 128783-01-000

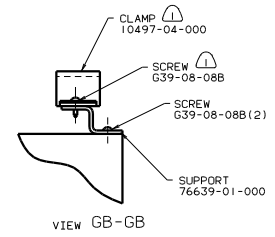
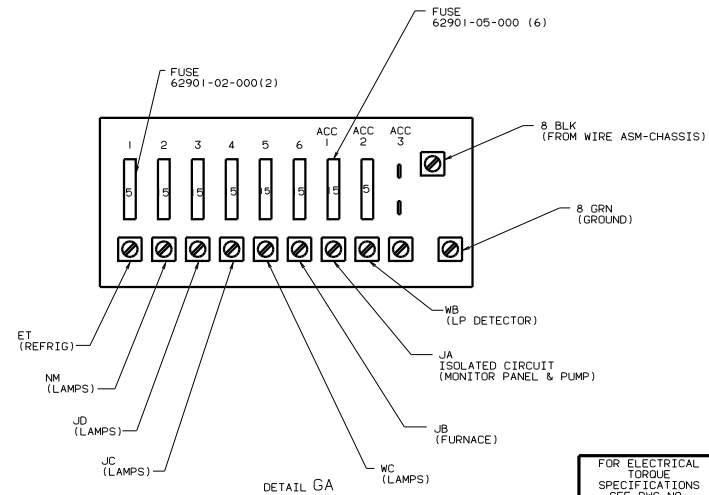
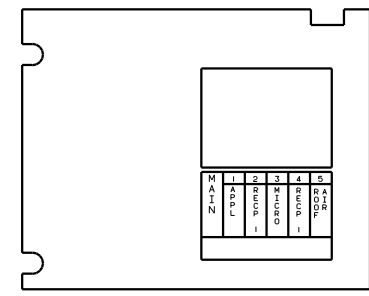
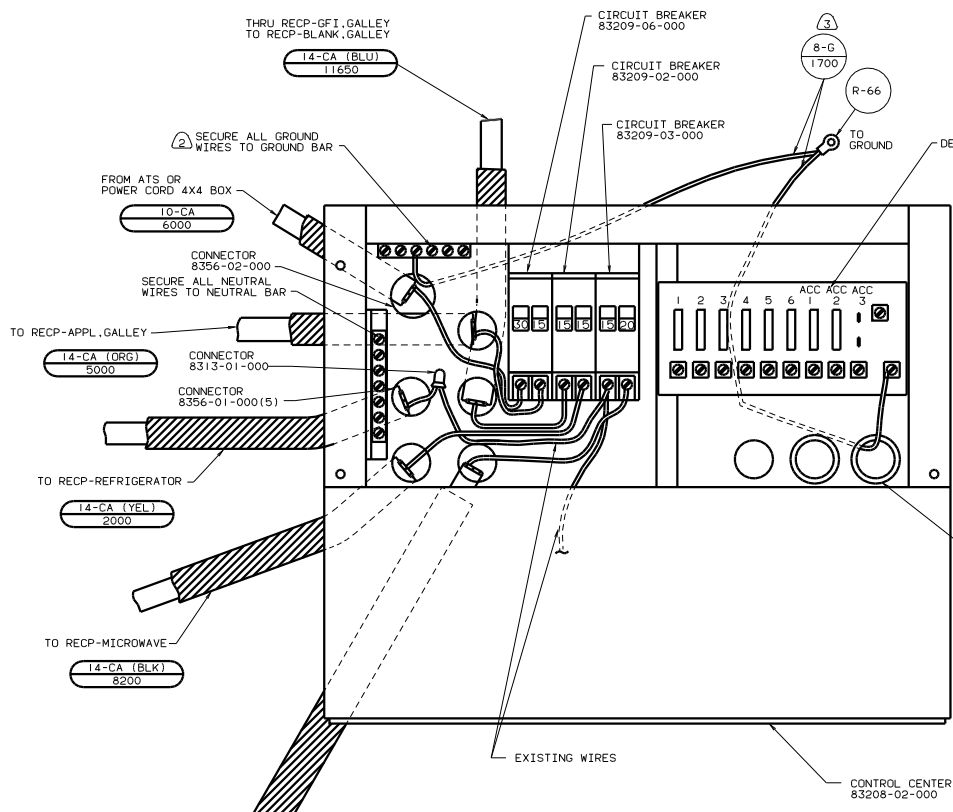
FOR ELECTRICAL CALLOUTS SEE DWG NO. 121339-01-000

WIRING INSTL - BODY, 110V (R30CA)

DATE: 11/10/00

SHEET 6 OF 9

134180



- ③ WIRE W/O TERMINALS TO BE STRIPPED 10MM AND SOLDER DIPPED.
- ② ALL CABLES SHALL BE COVERED WITH CONDUIT-CONVOLUTE SLIT 41953-01-000, UNLESS OTHERWISE SPECIFIED. 600 LESS THAN CABLE LENGTH.
- ① FASTEN ALL WIRES TO SUPPORT, USE ONE SCREW PER CLAMP.

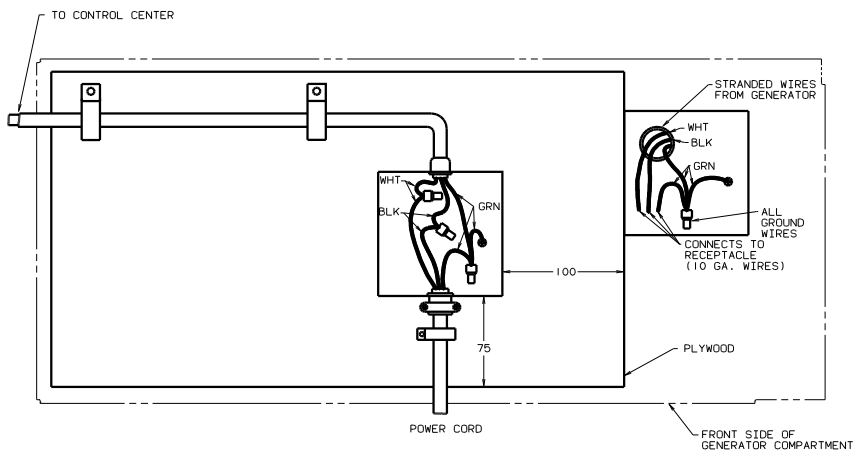
FOR ELECTRICAL TORQUE SPECIFICATIONS SEE DWG NO. 128783-01-000

FOR ELECTRICAL CALLOUTS SEE DWG NO. 121339-01-000

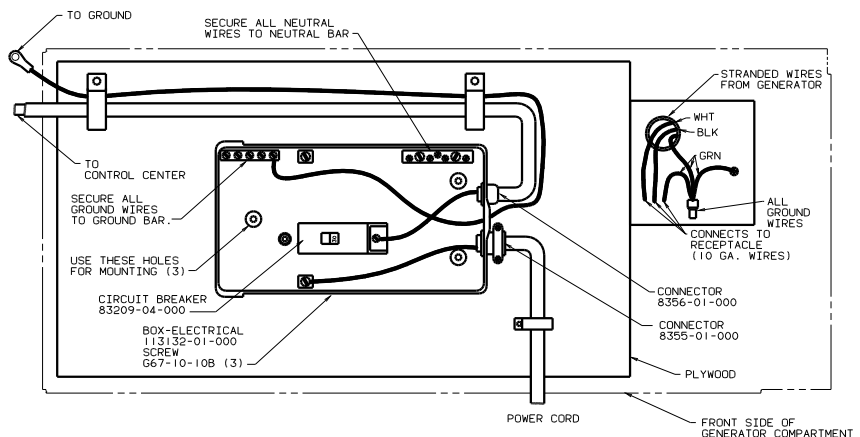
265 CODES/STANDARDS-CSA/CMVSS

00 F30A 265

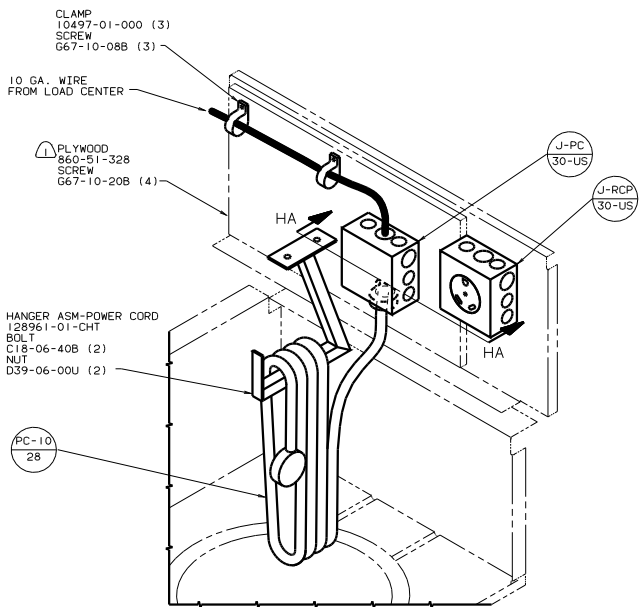
WIRING INSTL-BODY, 110V(1C30CA)	134180
30 20 10 5 0	1 1/2
SHEET 7 OF 9	1



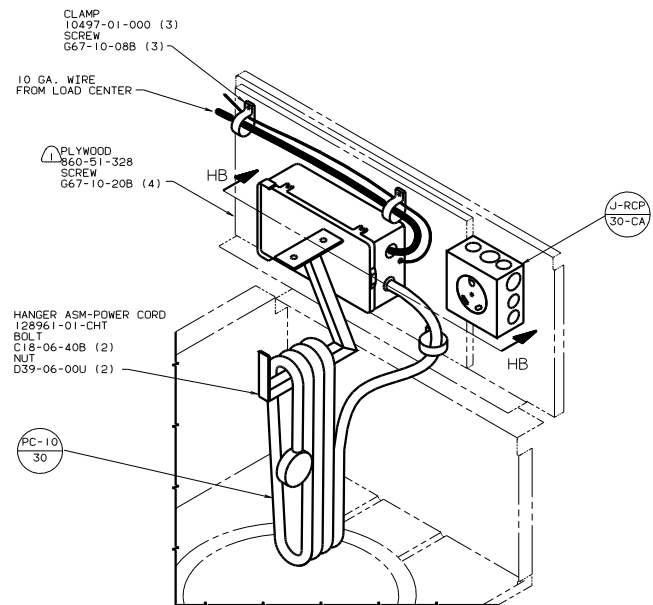
VIEW HA-HA (SHOWN WITH COVERS REMOVED)



VIEW HB-HB (SHOWN WITH COVERS REMOVED)



(181)



(265)

PAINT EXPOSED SURFACES BLACK 106112-01-000.

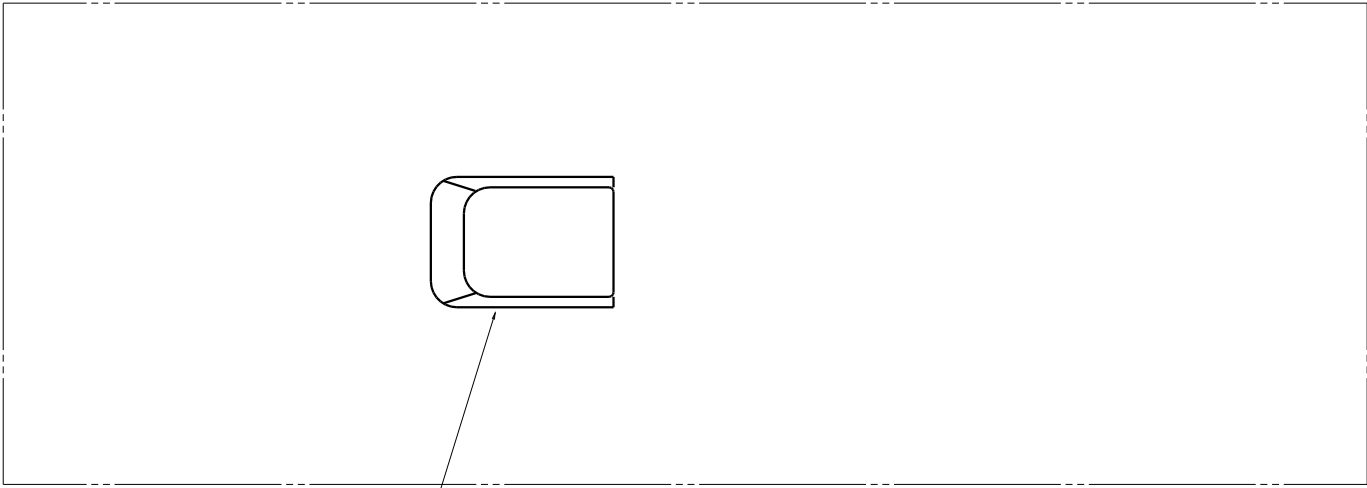
FOR ELECTRICAL TORQUE SPECIFICATIONS SEE DWG NO. 128783-01-000

X-X

FOR ELECTRICAL CALLOUTS SEE DWG NO. 121339-01-000

265 CODES/STANDARDS-CSA/CMVSS 181 CODES/STANDARDS USA 00 F30A

WIRING INSTL-BODY, 110V(PCI) SHEET 8 OF 9 134180



⚠ AIR CONDITIONER
 131188-01-CHT
 (14800 BTU)
 CEILING ASM
 131184-01-CHT
 BOARD-DIVIDER
 131184-02-CHT

⚠ SEE WIRING INSTL-BODY. 12V FOR ADDITIONAL INFORMATION.

00 F30A

TITLE		134180	
WIRING INSTL-BODY, 110V(EXT)			
NO. OF SHEETS	TOTAL SHEETS	SHEET NO.	FIG. NO.
9	9	9	134180

