



DANGER

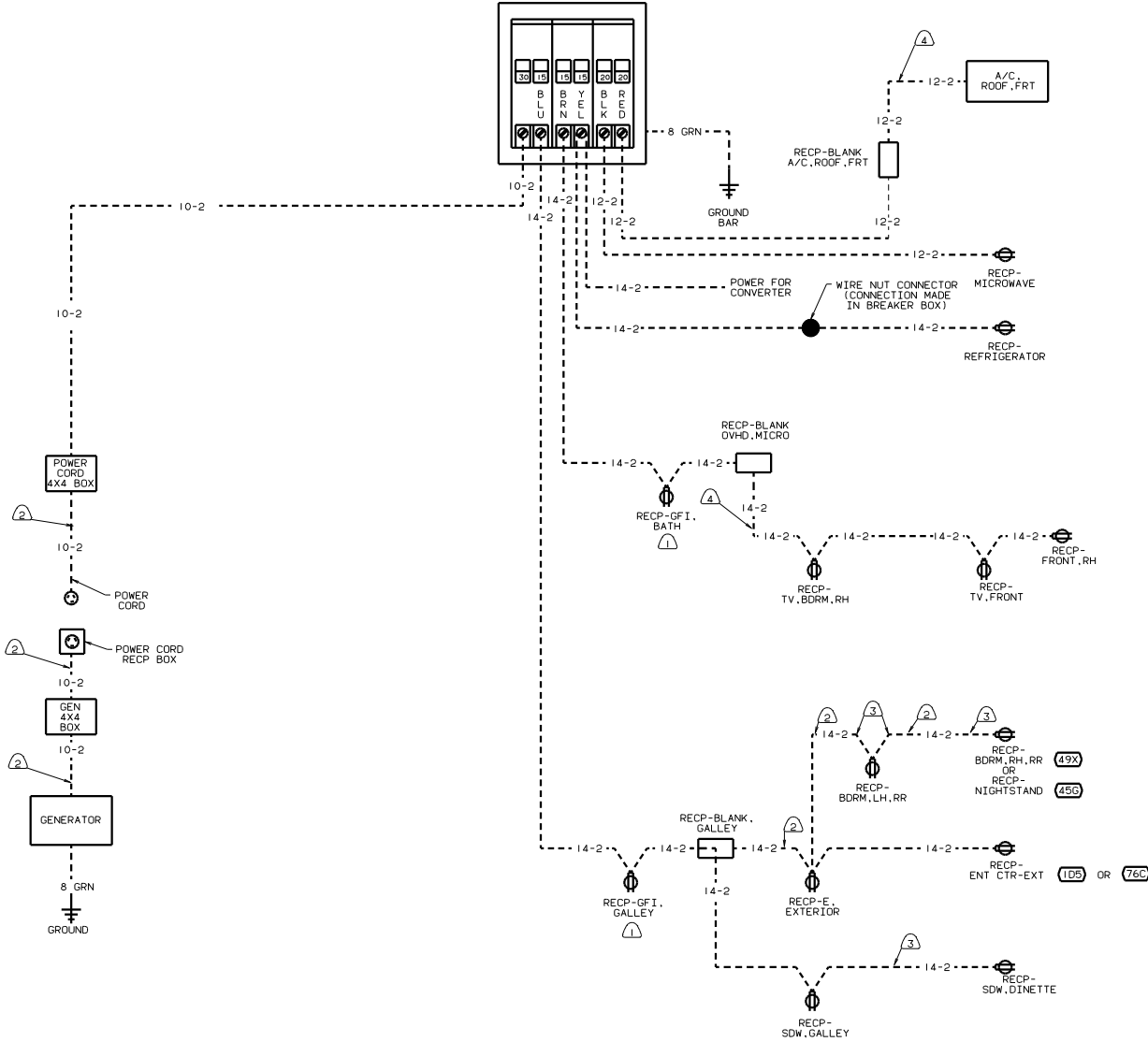
Danger of electrical shock, burns or death. Always remove all power sources before attempting any repair, service or diagnostic work. Power can be present from shore power, generator, inverter or battery. All power sources must be disabled and secured before performing any service.



CAUTION

If you lack the skills, tools or equipment to perform diagnostic or repair work leave such work to an authorized Winnebago Industries dealer or other qualified shop.

CONTROL CENTER
 BREAKER PANEL



- NOTES:
- ① ALL OUTLETS DOWNSTREAM AND INCLUDING THIS OUTLET ARE GROUND FAULT INTERRUPT PROTECTED.
 - ② WIRE BELOW FLOOR
 - ③ WIRE IN SIDEWALL
 - ④ WIRE IN ROOF

- ④ ENTERTAINMENT CTR/EXT CASSETTE
- ④9X BED-QUEEN - BACKWALL
- ④5G BED-TWINS
- ①20 ELECTRICAL SYSTEM 30 AMP
- ①D5 ENTERTAINMENT CENTR/EXT W/CD
- ①B1 CODES/STANDARDS USA

①B ①20

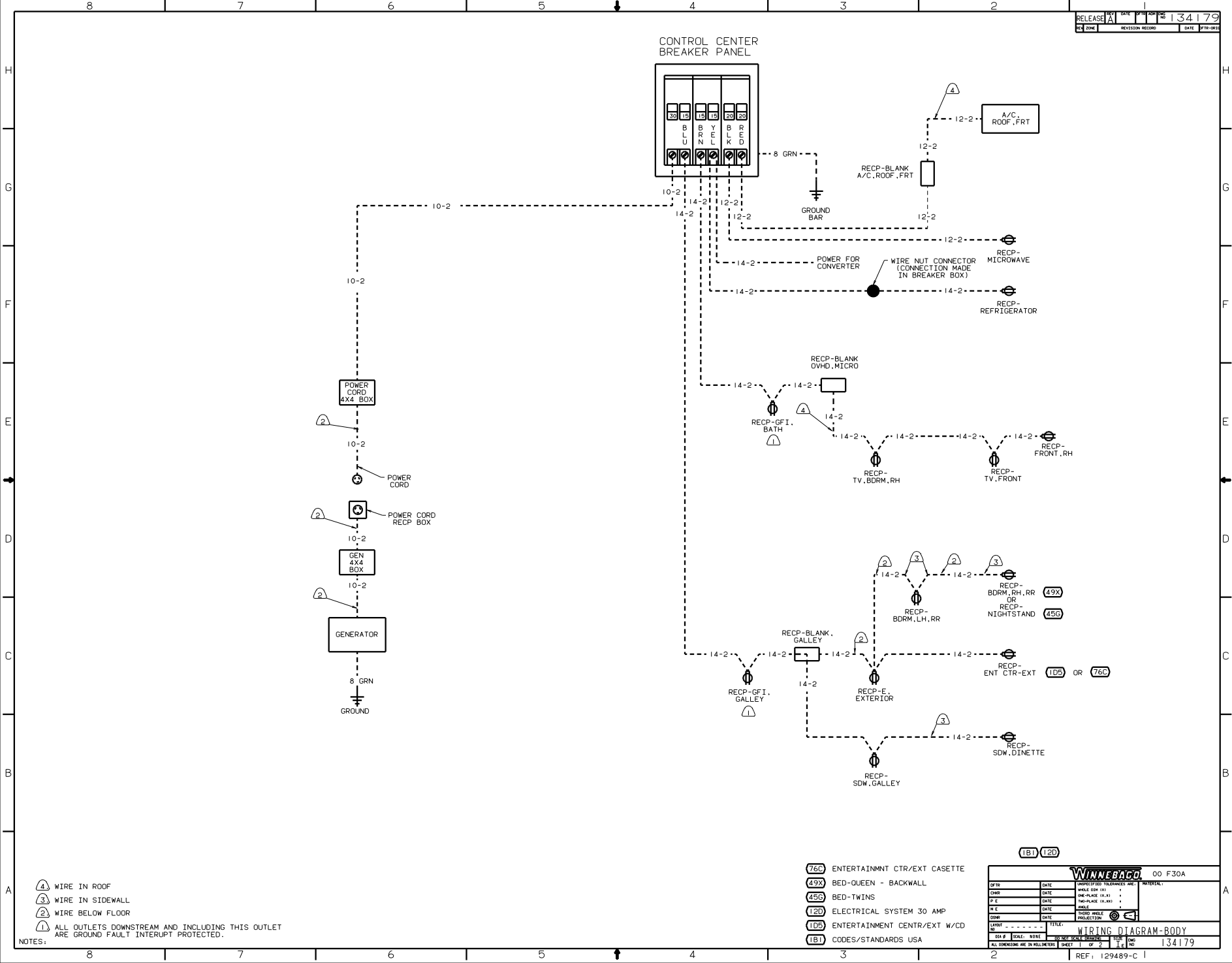
DATE		UNSPECIFIED TOLERANCES ARE:	INVERTAL
DATE	DATE	WHOLE DIM (X)	
DATE	DATE	ONE-PLACE (X.X)	
DATE	DATE	TWO-PLACE (X.XX)	
DATE	DATE	MIXED	
DATE	DATE	THIRD WHOLE INCREMENT	

WINNEBAGO 00 F30A

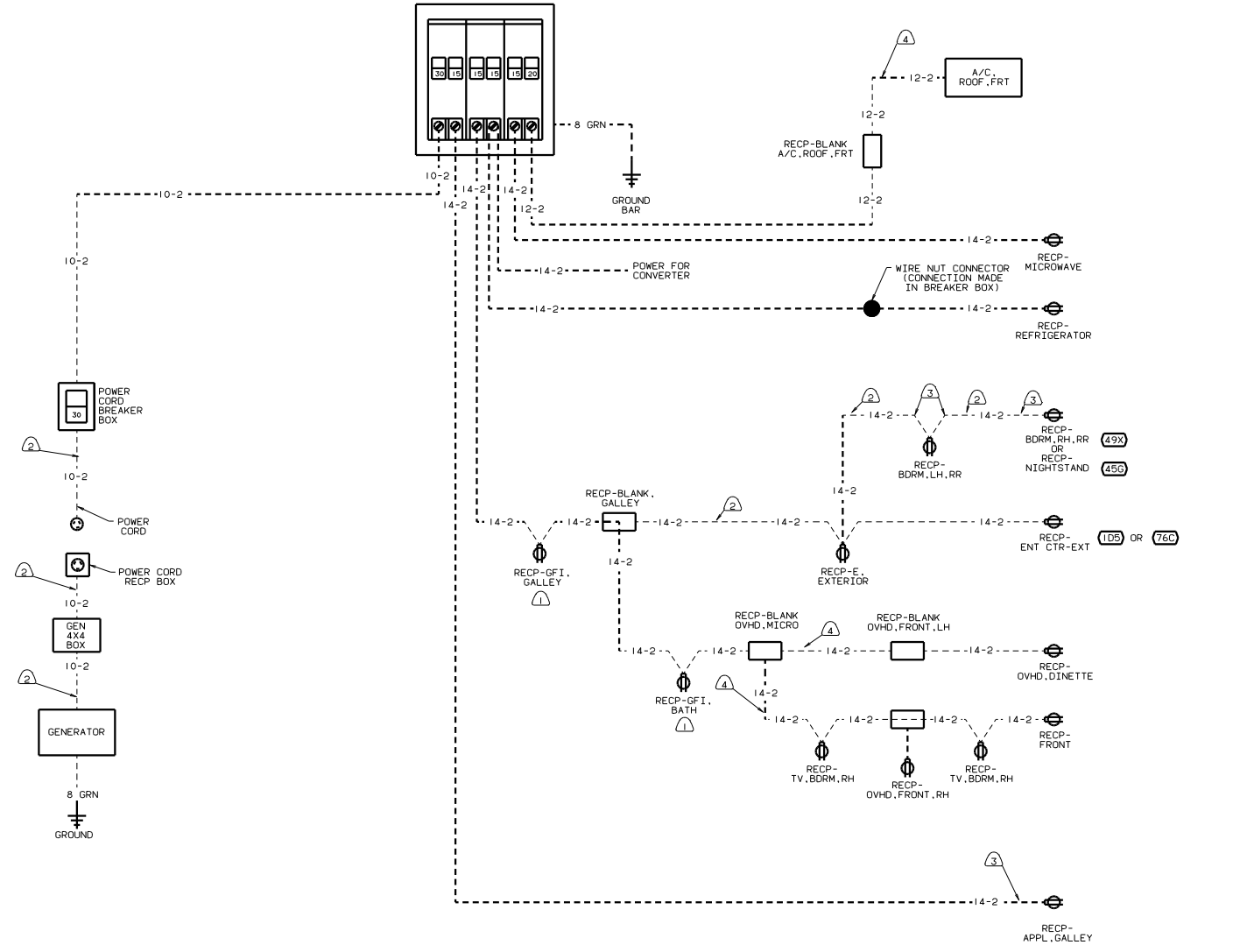
WIRING DIAGRAM-BODY

SHEET 1 OF 2 134179

REF: 129489-C 1



CONTROL CENTER BREAKER PANEL



- ④ WIRE IN ROOF.
- ③ WIRE IN SIDEWALL
- ② WIRE BELOW FLOOR

① ALL OUTLETS DOWNSTREAM AND INCLUDING THIS OUTLET ARE GROUND FAULT INTERRUPT PROTECTED.

- ⑦⑥C ENTERTAINMENT CTR/EXT CASSETTE
- ④9X BED-QUEEN - BACKWALL
- ④5⑥ BED-TWINS
- ②65 CODES/STANDARDS-CSA/CMVSS
- ①2② ELECTRICAL SYSTEM 30 AMP
- ①②5 ENTERTAINMENT CENTR/EXT W/CD
- 00 F30A ②65 ①2②