



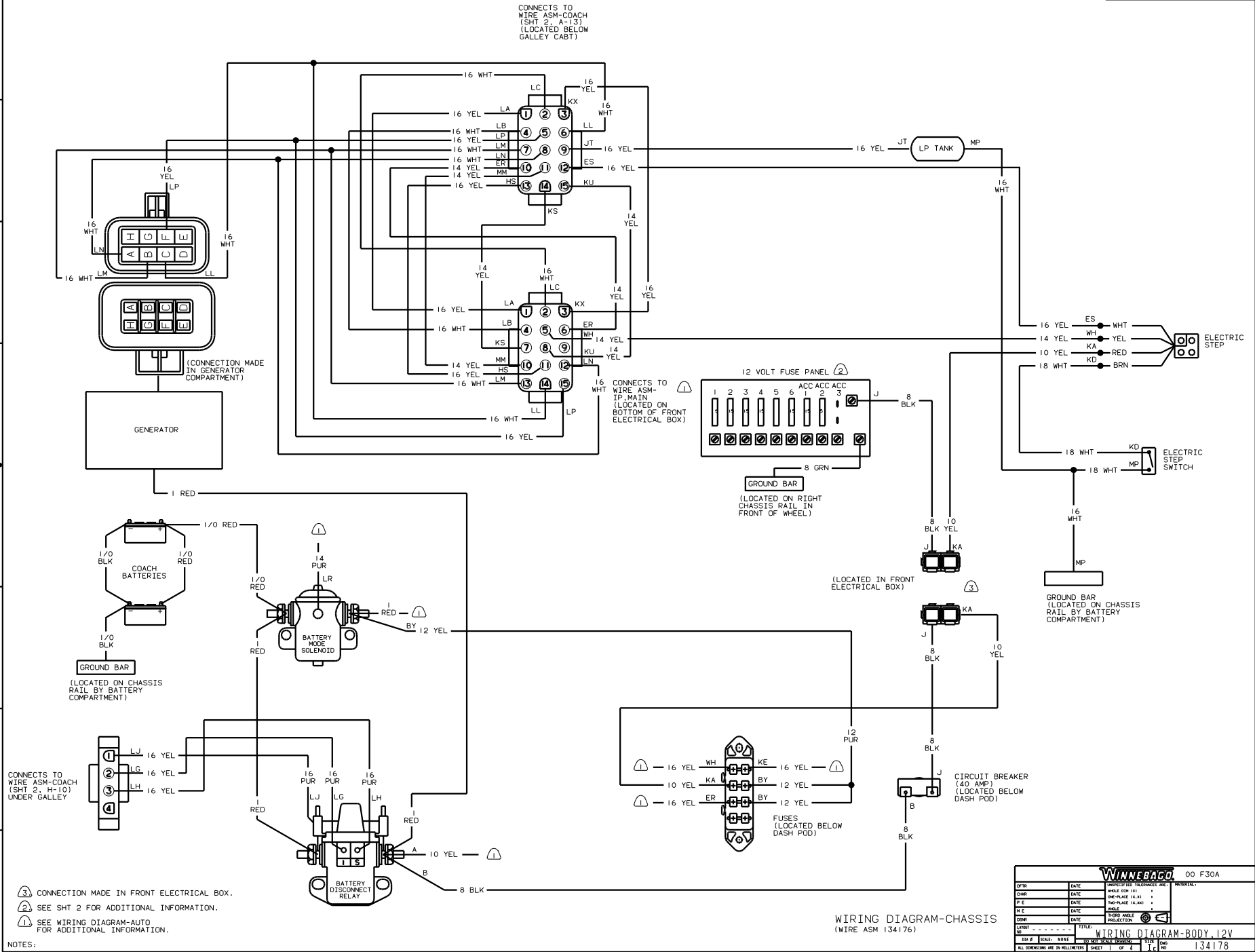
DANGER

Danger of electrical shock, burns or death. Always remove all power sources before attempting any repair, service or diagnostic work. Power can be present from shore power, generator, inverter or battery. All power sources must be disabled and secured before performing any service.



CAUTION

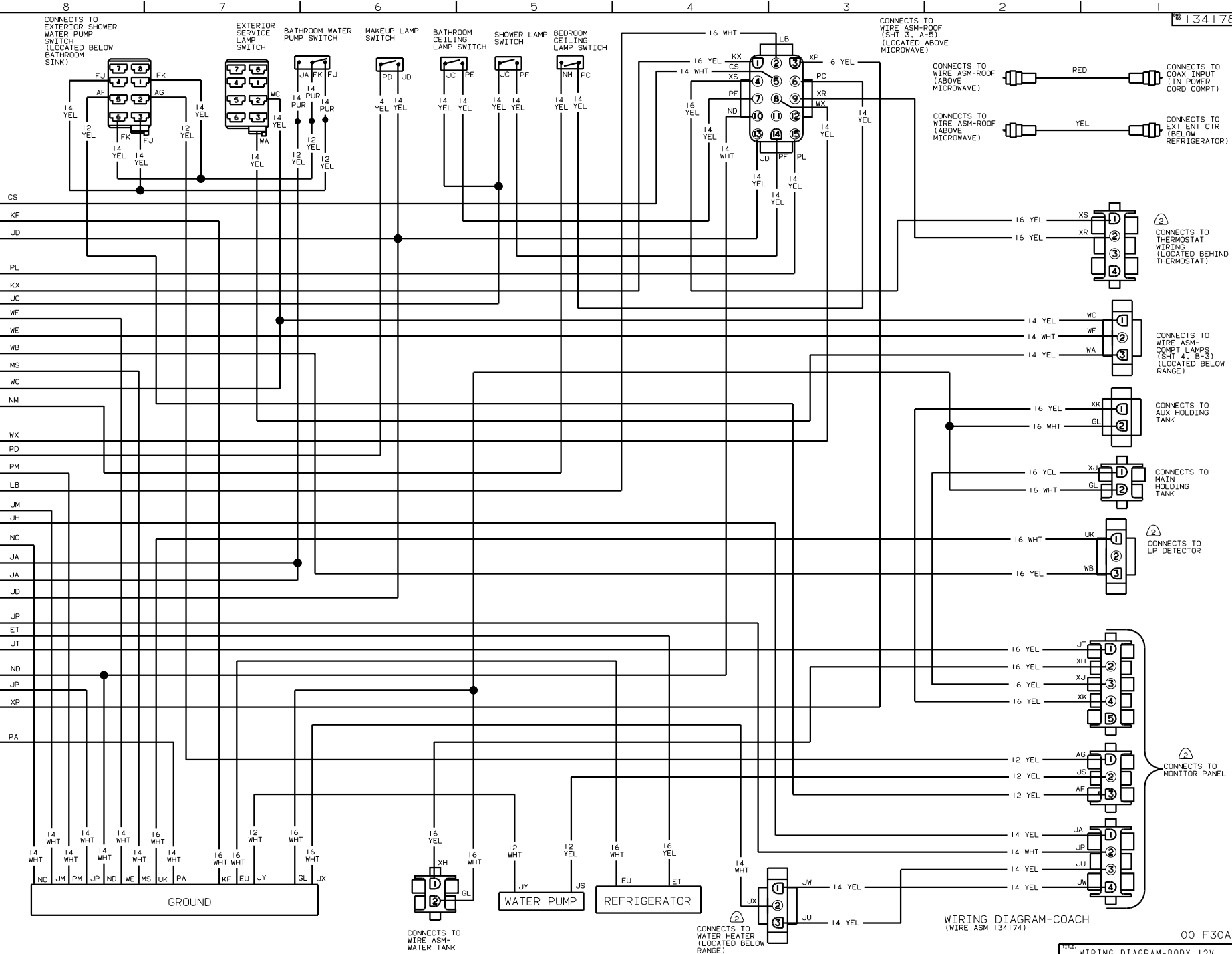
If you lack the skills, tools or equipment to perform diagnostic or repair work leave such work to an authorized Winnebago Industries dealer or other qualified shop.

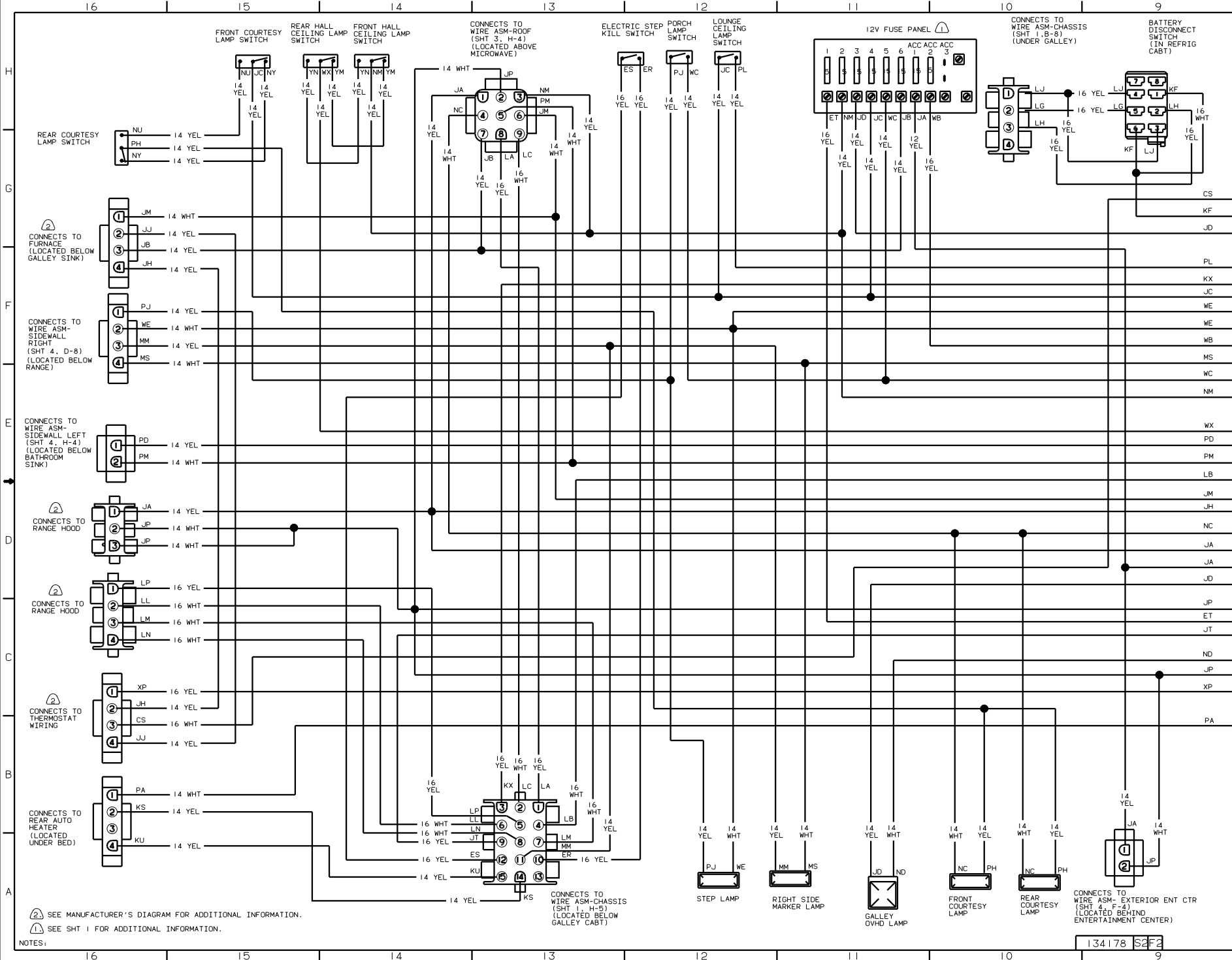


- ③ CONNECTION MADE IN FRONT ELECTRICAL BOX.
- ② SEE SHT 2 FOR ADDITIONAL INFORMATION.
- ① SEE WIRING DIAGRAM-AUTO FOR ADDITIONAL INFORMATION.

NOTES:

WINNEBAGO		00 F30A
OF IN	DATE	UNSPECIFIED TOLERANCES ARE:
CHP	DATE	WHOLE OR 1/16"
PIE	DATE	ONE-PLACE (1/32)"
D/E	DATE	TWO-PLACE (1/64)"
DATE	DATE	THREE-PLACE (1/128)"
DATE	DATE	FOUR-PLACE (1/256)"
DATE	DATE	FIVE-PLACE (1/512)"
DATE	DATE	SIX-PLACE (1/1024)"
DATE	DATE	SEVEN-PLACE (1/2048)"
DATE	DATE	EIGHT-PLACE (1/4096)"
DATE	DATE	NINE-PLACE (1/8192)"
DATE	DATE	TEN-PLACE (1/16384)"
DATE	DATE	ELEVEN-PLACE (1/32768)"
DATE	DATE	TWELVE-PLACE (1/65536)"
DATE	DATE	THIRTEEN-PLACE (1/131072)"
DATE	DATE	FOURTEEN-PLACE (1/262144)"
DATE	DATE	FIFTEEN-PLACE (1/524288)"
DATE	DATE	SIXTEEN-PLACE (1/1048576)"
DATE	DATE	SEVENTEEN-PLACE (1/2097152)"
DATE	DATE	EIGHTEEN-PLACE (1/4194304)"
DATE	DATE	NINETEEN-PLACE (1/8388608)"
DATE	DATE	TWENTY-PLACE (1/16777216)"
DATE	DATE	TWENTY-ONE-PLACE (1/33554432)"
DATE	DATE	TWENTY-TWO-PLACE (1/67108864)"
DATE	DATE	TWENTY-THREE-PLACE (1/134217728)"
DATE	DATE	TWENTY-FOUR-PLACE (1/268435456)"
DATE	DATE	TWENTY-FIVE-PLACE (1/536870912)"
DATE	DATE	TWENTY-SIX-PLACE (1/1073741824)"
DATE	DATE	TWENTY-SEVEN-PLACE (1/2147483648)"
DATE	DATE	TWENTY-EIGHT-PLACE (1/4294967296)"
DATE	DATE	TWENTY-NINE-PLACE (1/8589934592)"
DATE	DATE	THIRTY-PLACE (1/17179869184)"
DATE	DATE	THIRTY-ONE-PLACE (1/34359738368)"
DATE	DATE	THIRTY-TWO-PLACE (1/68719476736)"
DATE	DATE	THIRTY-THREE-PLACE (1/137438953472)"
DATE	DATE	THIRTY-FOUR-PLACE (1/274877906944)"
DATE	DATE	THIRTY-FIVE-PLACE (1/549755813888)"
DATE	DATE	THIRTY-SIX-PLACE (1/1099511627776)"
DATE	DATE	THIRTY-SEVEN-PLACE (1/2199023255552)"
DATE	DATE	THIRTY-EIGHT-PLACE (1/4398046511104)"
DATE	DATE	THIRTY-NINE-PLACE (1/8796093022208)"
DATE	DATE	FOURTY-PLACE (1/17592186044416)"
DATE	DATE	FOURTY-ONE-PLACE (1/35184372088832)"
DATE	DATE	FOURTY-TWO-PLACE (1/70368744177664)"
DATE	DATE	FOURTY-THREE-PLACE (1/140737488355328)"
DATE	DATE	FOURTY-FOUR-PLACE (1/281474976710656)"
DATE	DATE	FOURTY-FIVE-PLACE (1/562949953421312)"
DATE	DATE	FOURTY-SIX-PLACE (1/1125899906842624)"
DATE	DATE	FOURTY-SEVEN-PLACE (1/2251799813685248)"
DATE	DATE	FOURTY-EIGHT-PLACE (1/4503599627370496)"
DATE	DATE	FOURTY-NINE-PLACE (1/9007199254740992)"
DATE	DATE	FIFTY-PLACE (1/18014398509481984)"
DATE	DATE	FIFTY-ONE-PLACE (1/36028797018963968)"
DATE	DATE	FIFTY-TWO-PLACE (1/72057594037927936)"
DATE	DATE	FIFTY-THREE-PLACE (1/144115188075855872)"
DATE	DATE	FIFTY-FOUR-PLACE (1/288230376151711744)"
DATE	DATE	FIFTY-FIVE-PLACE (1/576460752303423488)"
DATE	DATE	FIFTY-SIX-PLACE (1/1152921504606846976)"
DATE	DATE	FIFTY-SEVEN-PLACE (1/2305843009213693952)"
DATE	DATE	FIFTY-EIGHT-PLACE (1/4611686018427387904)"
DATE	DATE	FIFTY-NINE-PLACE (1/9223372036854775808)"
DATE	DATE	SIXTY-PLACE (1/18446744073709551616)"
DATE	DATE	SIXTY-ONE-PLACE (1/36893488147419103232)"
DATE	DATE	SIXTY-TWO-PLACE (1/73786976294838206464)"
DATE	DATE	SIXTY-THREE-PLACE (1/147573952589676412928)"
DATE	DATE	SIXTY-FOUR-PLACE (1/295147905179352825856)"
DATE	DATE	SIXTY-FIVE-PLACE (1/590295810358705651712)"
DATE	DATE	SIXTY-SIX-PLACE (1/1180591620717411303424)"
DATE	DATE	SIXTY-SEVEN-PLACE (1/2361183241434822606848)"
DATE	DATE	SIXTY-EIGHT-PLACE (1/4722366482869645213696)"
DATE	DATE	SIXTY-NINE-PLACE (1/9444732965739290427392)"
DATE	DATE	SEVENTY-PLACE (1/18889465931478580854784)"
DATE	DATE	SEVENTY-ONE-PLACE (1/37778931862957161709568)"
DATE	DATE	SEVENTY-TWO-PLACE (1/75557863725914323419136)"
DATE	DATE	SEVENTY-THREE-PLACE (1/151115727451828646838272)"
DATE	DATE	SEVENTY-FOUR-PLACE (1/302231454903657293676544)"
DATE	DATE	SEVENTY-FIVE-PLACE (1/604462909807314587353088)"
DATE	DATE	SEVENTY-SIX-PLACE (1/1208925819614629174706176)"
DATE	DATE	SEVENTY-SEVEN-PLACE (1/2417851639229258349412352)"
DATE	DATE	SEVENTY-EIGHT-PLACE (1/4835703278458516698824704)"
DATE	DATE	SEVENTY-NINE-PLACE (1/9671406556917033397649408)"
DATE	DATE	EIGHTY-PLACE (1/19342813113834066795298816)"
DATE	DATE	EIGHTY-ONE-PLACE (1/38685626227668133590597632)"
DATE	DATE	EIGHTY-TWO-PLACE (1/77371252455336267181195264)"
DATE	DATE	EIGHTY-THREE-PLACE (1/154742504910672534362390528)"
DATE	DATE	EIGHTY-FOUR-PLACE (1/309485009821345068724781056)"
DATE	DATE	EIGHTY-FIVE-PLACE (1/618970019642690137449562112)"
DATE	DATE	EIGHTY-SIX-PLACE (1/1237940039285380274899244224)"
DATE	DATE	EIGHTY-SEVEN-PLACE (1/2475880078570760549798488448)"
DATE	DATE	EIGHTY-EIGHT-PLACE (1/4951760157141521099596976896)"
DATE	DATE	EIGHTY-NINE-PLACE (1/9903520314283042199193953792)"
DATE	DATE	NINETY-PLACE (1/19807040628566084398387907584)"
DATE	DATE	NINETY-ONE-PLACE (1/39614081257132168796775815168)"
DATE	DATE	NINETY-TWO-PLACE (1/79228162514264337593551630336)"
DATE	DATE	NINETY-THREE-PLACE (1/158456325028528675187103260672)"
DATE	DATE	NINETY-FOUR-PLACE (1/316912650057057350374206521344)"
DATE	DATE	NINETY-FIVE-PLACE (1/633825300114114700748413042688)"
DATE	DATE	NINETY-SIX-PLACE (1/1267650600228229401496826085376)"
DATE	DATE	NINETY-SEVEN-PLACE (1/2535301200456458802993652170752)"
DATE	DATE	NINETY-EIGHT-PLACE (1/5070602400912917605987304341504)"
DATE	DATE	NINETY-NINE-PLACE (1/10141204801825835211974608683008)"
DATE	DATE	HUNDRED-PLACE (1/20282409603651670423949217366016)"

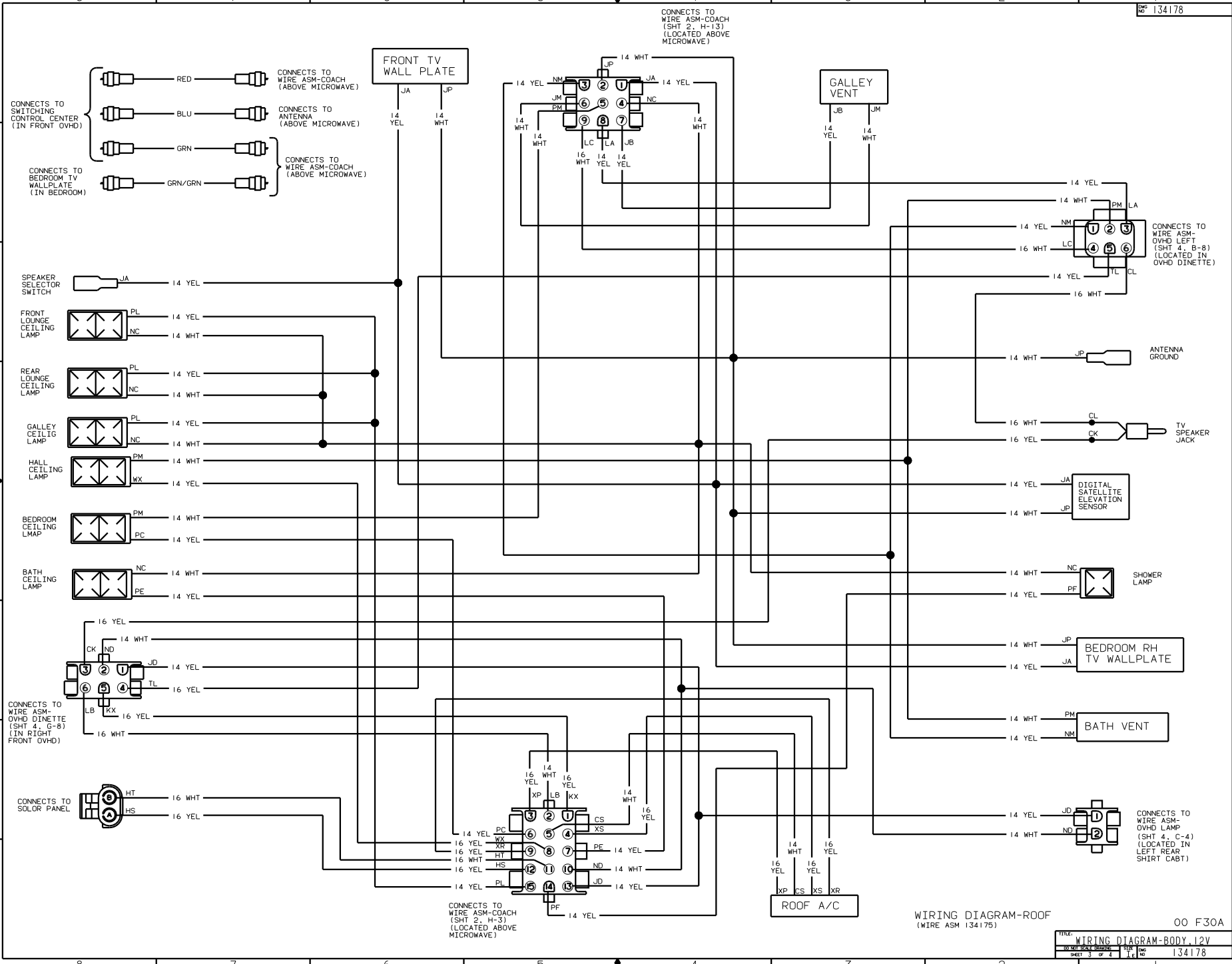




(2) SEE MANUFACTURER'S DIAGRAM FOR ADDITIONAL INFORMATION.
 (1) SEE SHT 1 FOR ADDITIONAL INFORMATION.

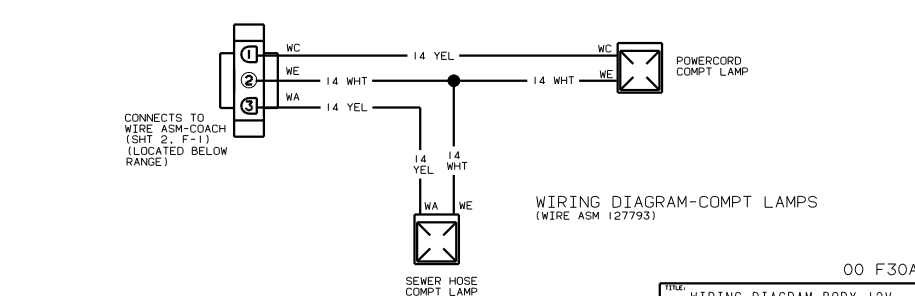
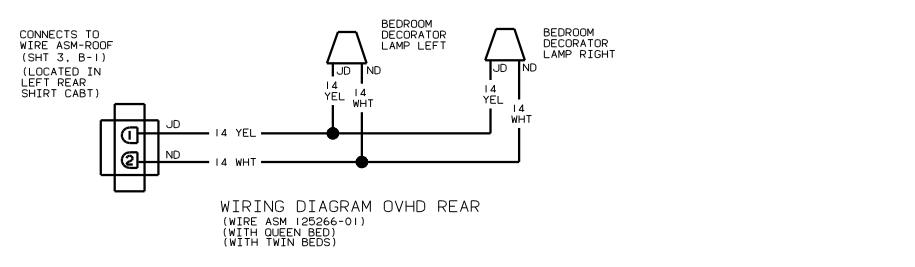
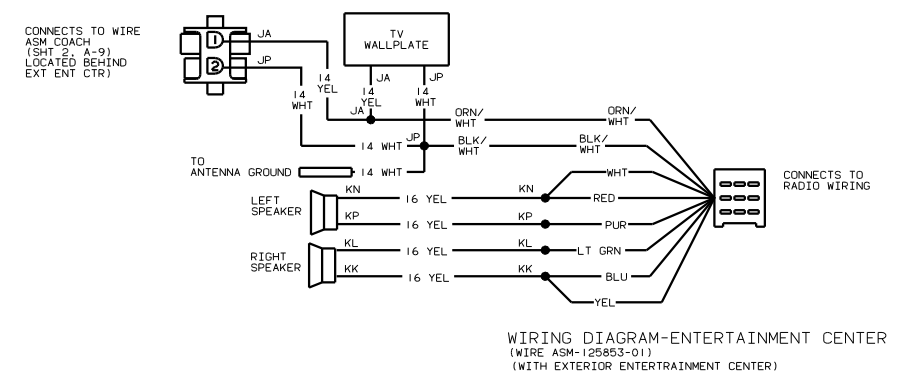
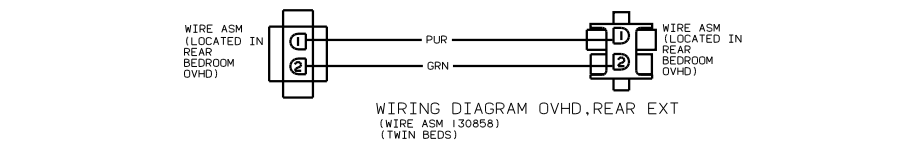
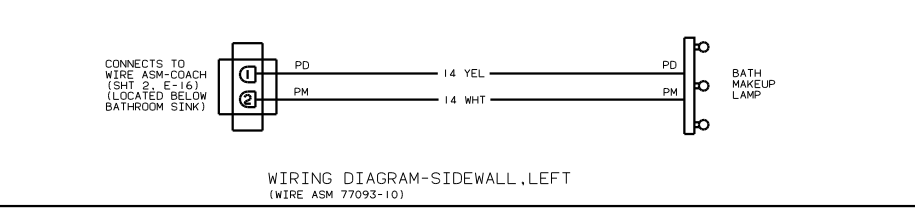
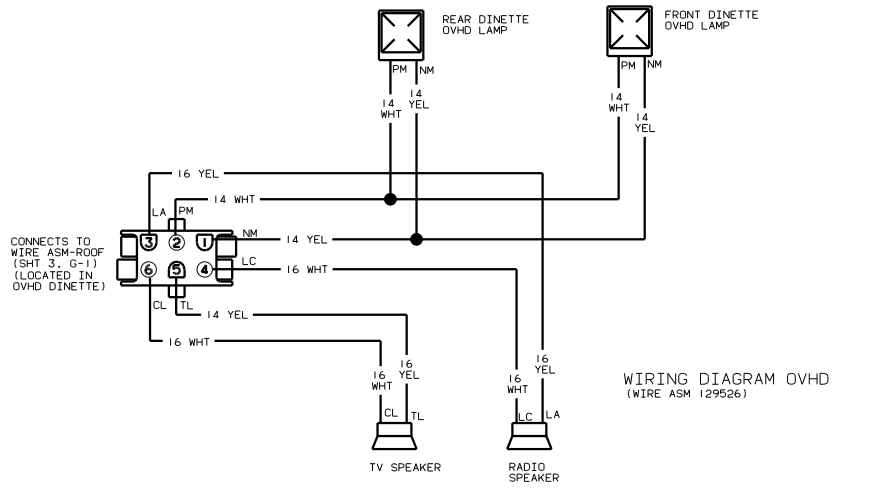
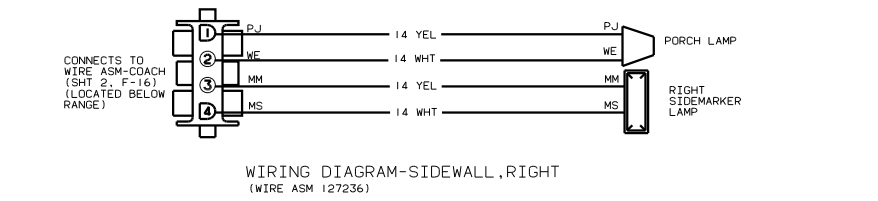
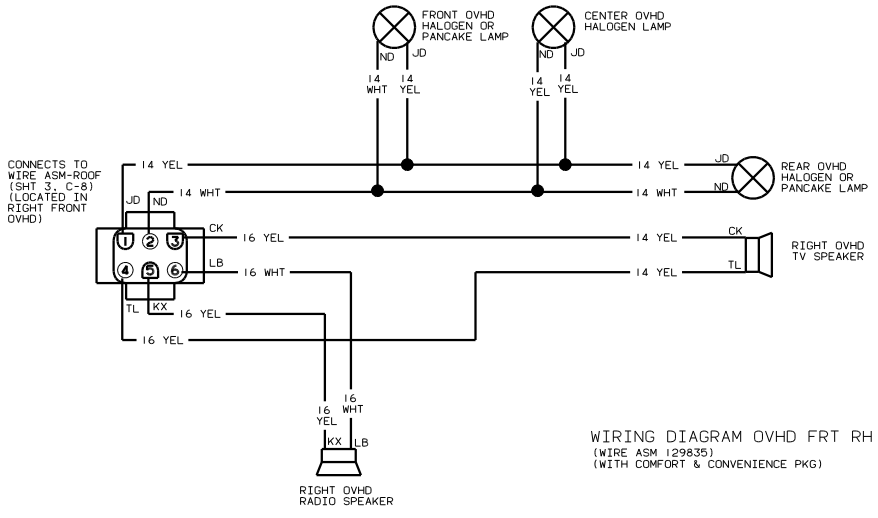
CONNECTS TO WIRE ASM-CHASSIS (SHT 1, H-5) (LOCATED BELOW GALLEY CABT)

CONNECTS TO WIRE ASM- EXTERIOR ENT CTR (SHT 4, F-4) (LOCATED BEHIND ENTERTAINMENT CENTER)



WIRING DIAGRAM-ROOF (WIRE ASM 134175)

TITLE: WIRING DIAGRAM-BODY_12V	
NO. OF SHEETS: 4	SHEET NO: 3
DATE: 1/16/00	REV: 1
134178	



NOTES: