



**DANGER**

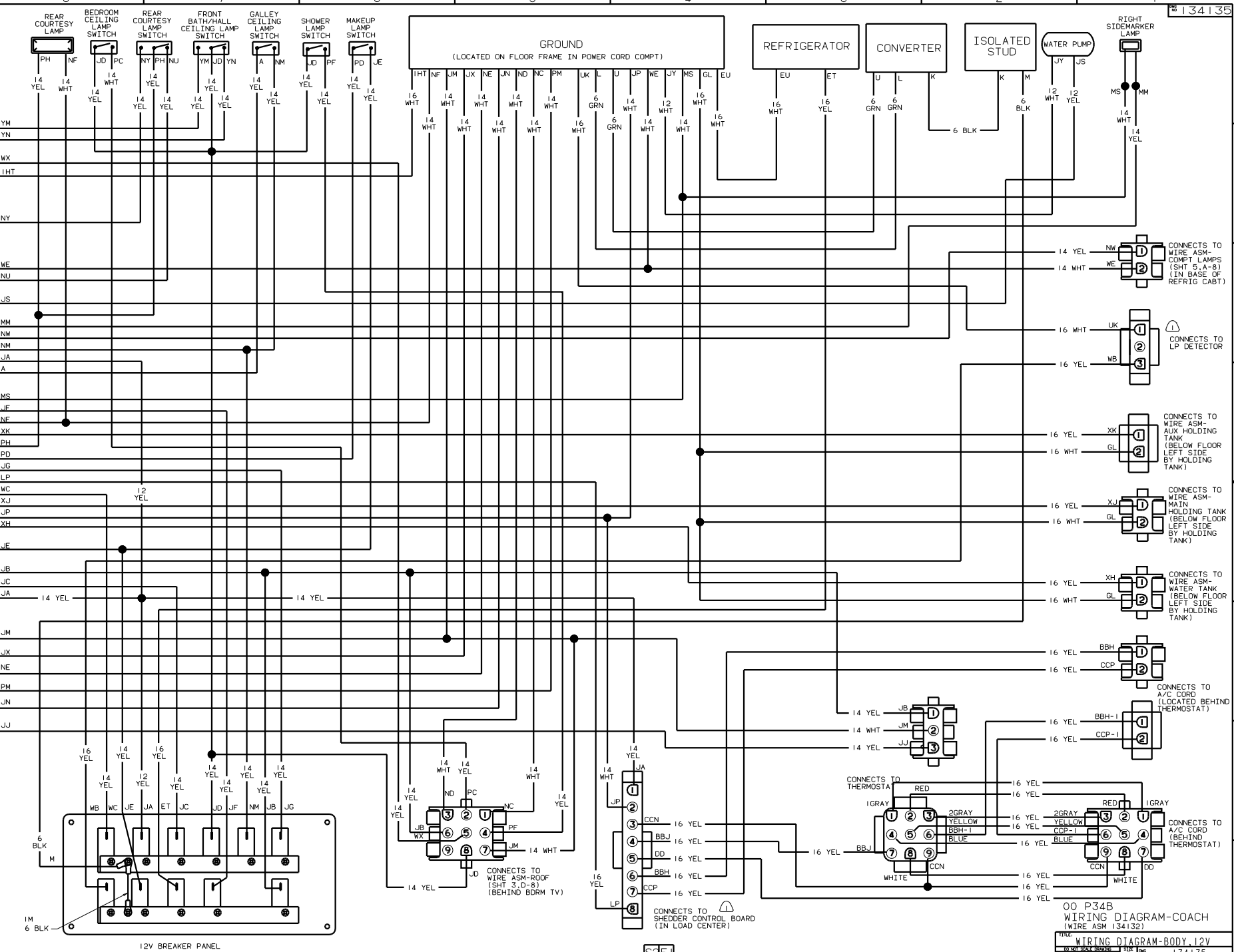
**Danger of electrical shock, burns or death.** Always remove all power sources before attempting any repair, service or diagnostic work. Power can be present from shore power, generator, inverter or battery. All power sources must be disabled and secured before performing any service.



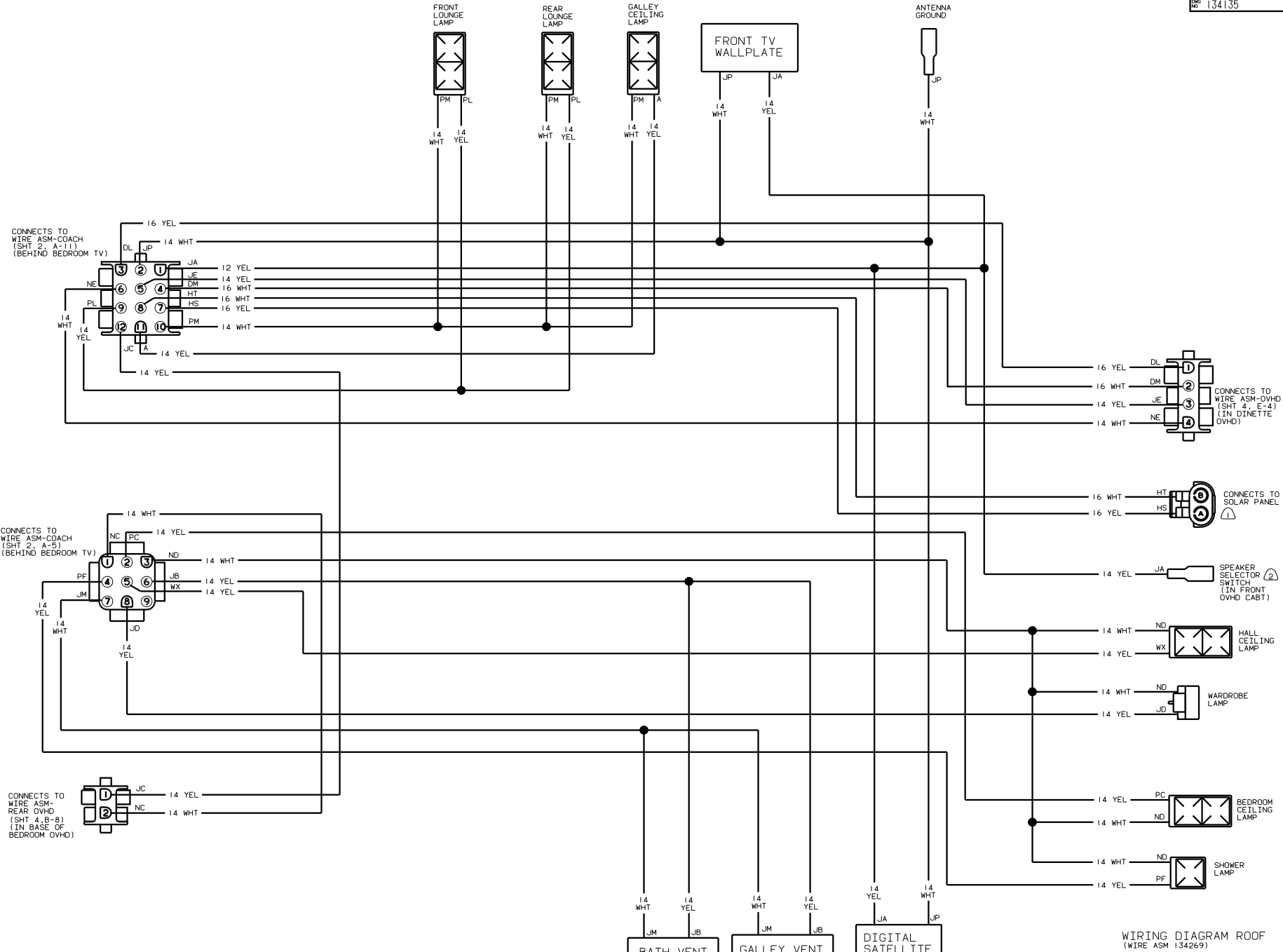
**CAUTION**

If you lack the skills, tools or equipment to perform diagnostic or repair work leave such work to an authorized Winnebago Industries dealer or other qualified shop.







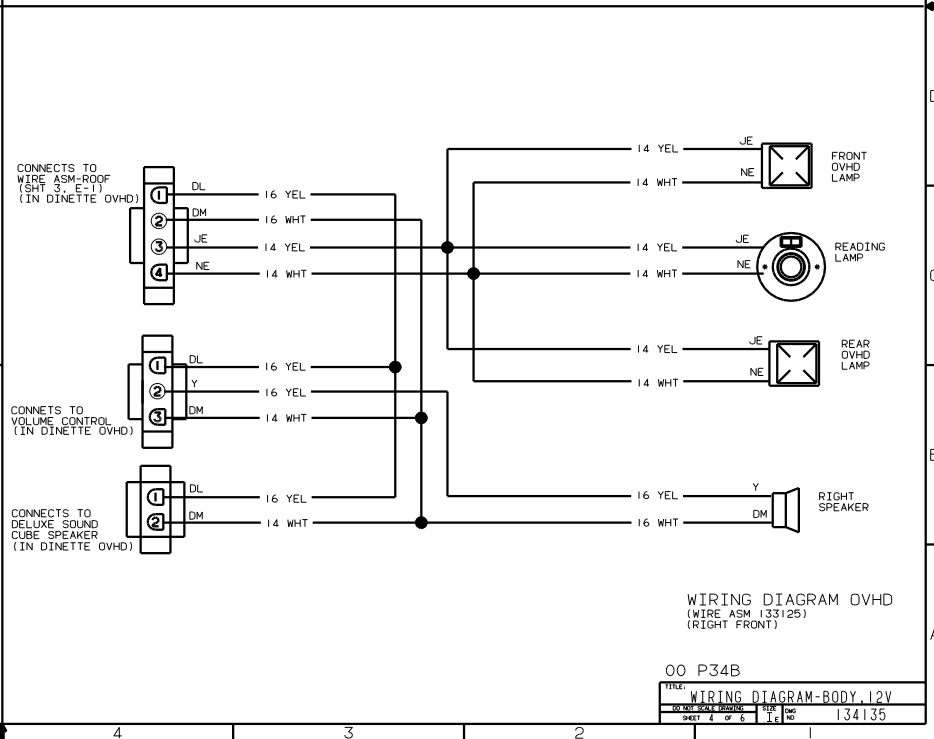
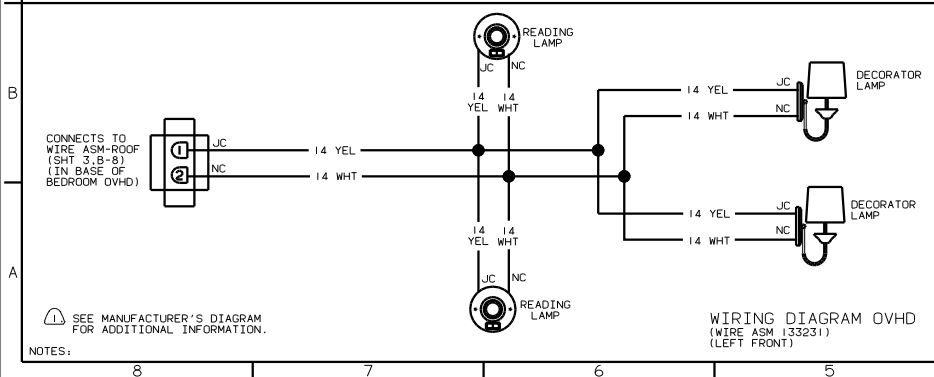
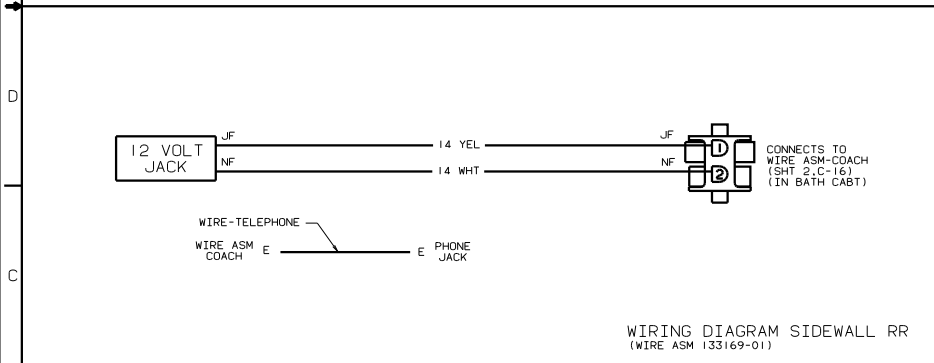
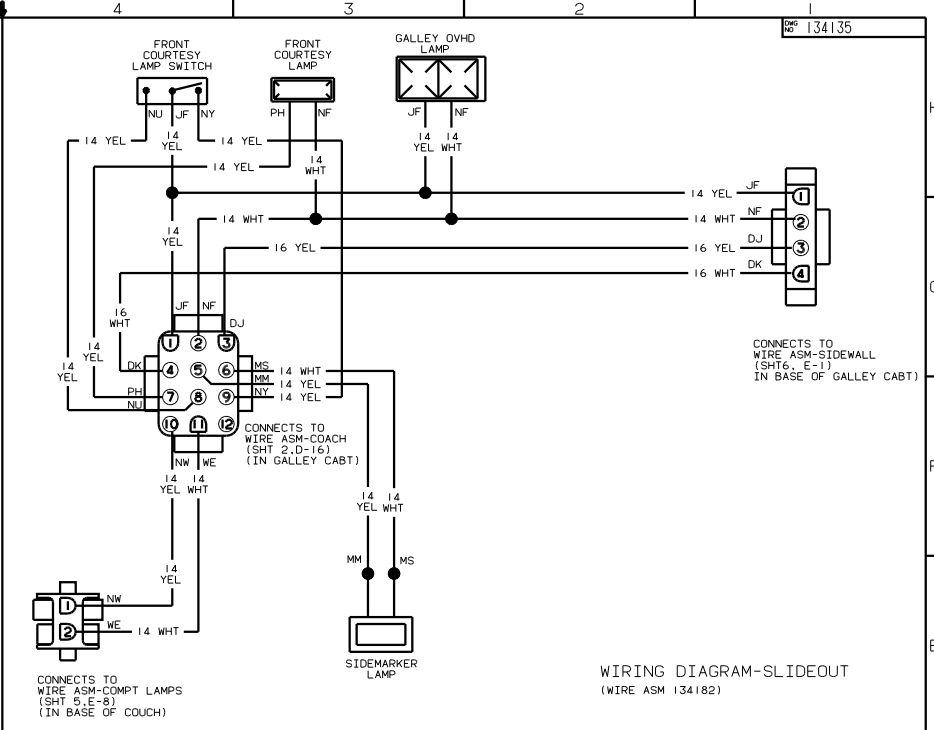
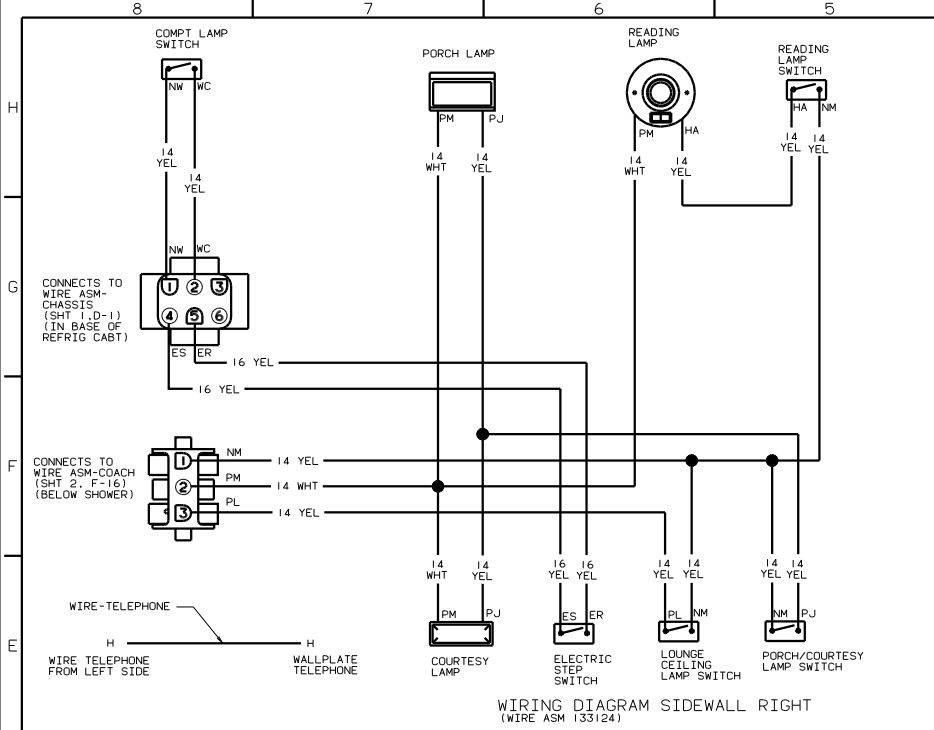


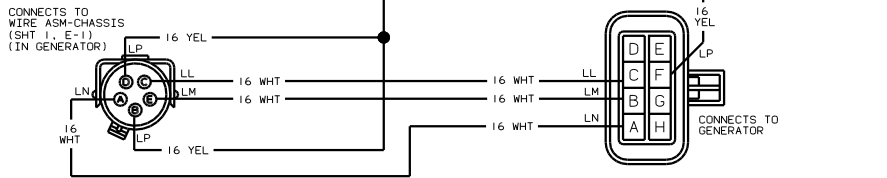
NOTES:  
 (2) SEE WIRING DIAGRAM-AUTO FOR ADDITIONAL INFORMATION.  
 (1) SEE MANUFACTURER'S DIAGRAM FOR ADDITIONAL INFORMATION.

WIRING DIAGRAM ROOF  
 (WIRE ASM 134269)

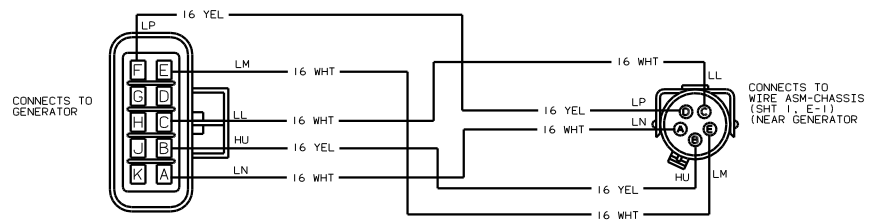
00 P34B

TITLE	WIRING DIAGRAM-BODY 12V
DO NOT SCALE DRAWING	DATE
SHEET 3 OF 6	1/E
	134135

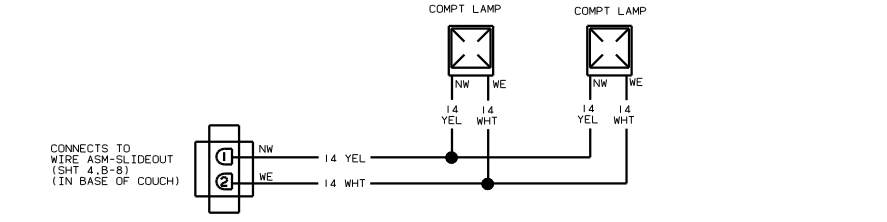




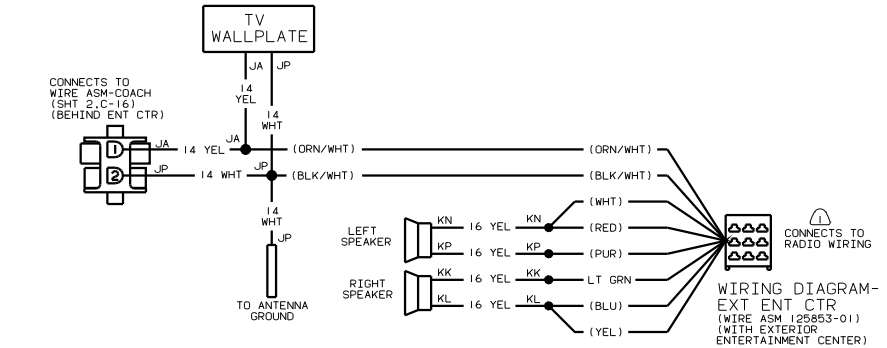
WIRING DIAGRAM GEN ADAPTER,LP  
(WIRE ASM 130332-01)



WIRING DIAGRAM ADAPTER,DIESEL  
(WIRE ASM 130332-02)



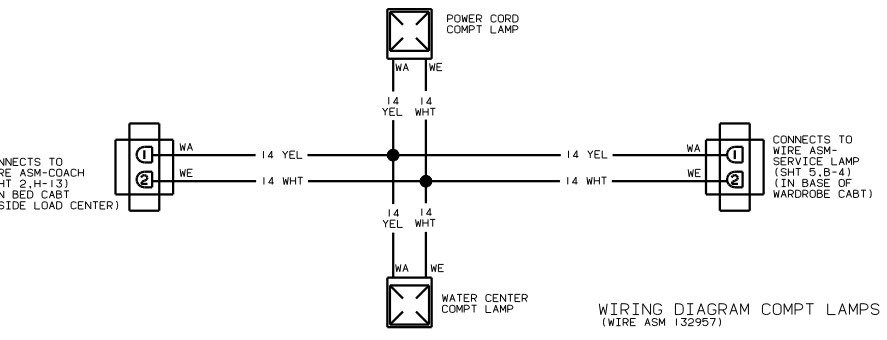
WIRING DIAGRAM COMPT LAMP  
(WIRE ASM 125266-09)



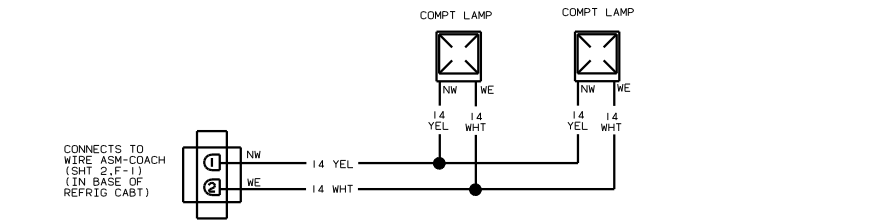
WIRING DIAGRAM-EXT ENT CTR  
(WIRE ASM 125853-01)  
(WITH EXTERIOR ENTERTAINMENT CENTER)



WIRING DIAGRAM SIDE MARKER LAMP  
(WIRE ASM 133110)



WIRING DIAGRAM COMPT LAMPS  
(WIRE ASM 132957)

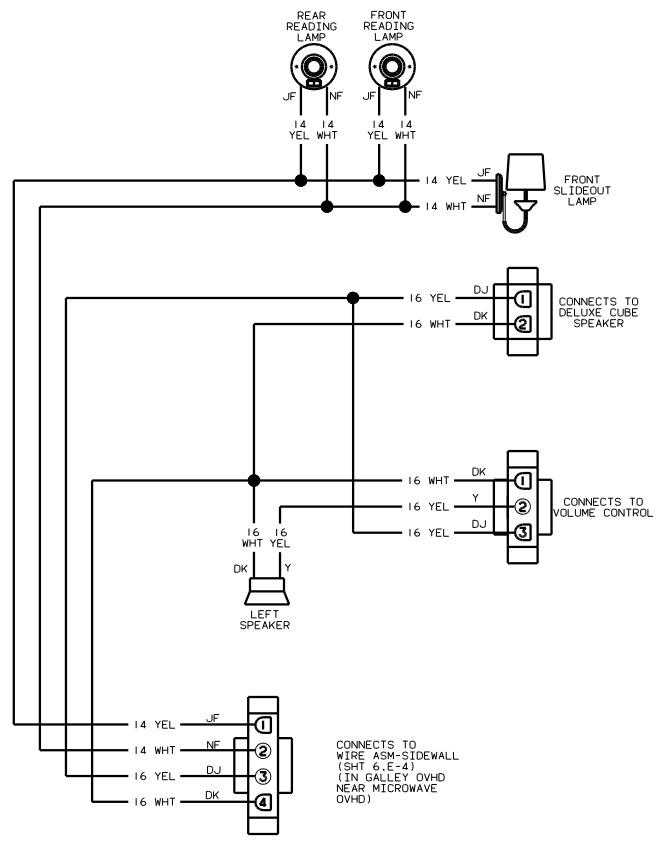


WIRING DIAGRAM COMPT LAMP  
(WIRE ASM 125266-07)

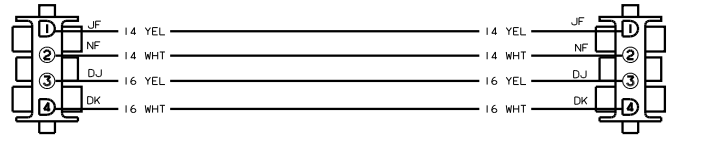


WIRING DIAGRAM SERVICE LAMP  
(WIRE ASM 077093-12)

NOTES: SEE WIRING DIAGRAM AUTO FOR ADDITIONAL INFORMATION.



WIRING DIAGRAM-OVHD  
(WIRE ASM 135015)



CONNECTS TO WIRE ASM-SIDEWALL (SHT 6, E-6) (IN BASE OF GALLEY CABT)

CONNECTS TO WIRE ASM-OVHD (SHT 4, G-1) (IN GALLEY OVHD NEAR MICROWAVE OVHD)

WIRING DIAGRAM-SIDEWALL  
(WIRE ASM 129128-02)

SEE WIRING DIAGRAM AUTO FOR ADDITIONAL INFORMATION.