



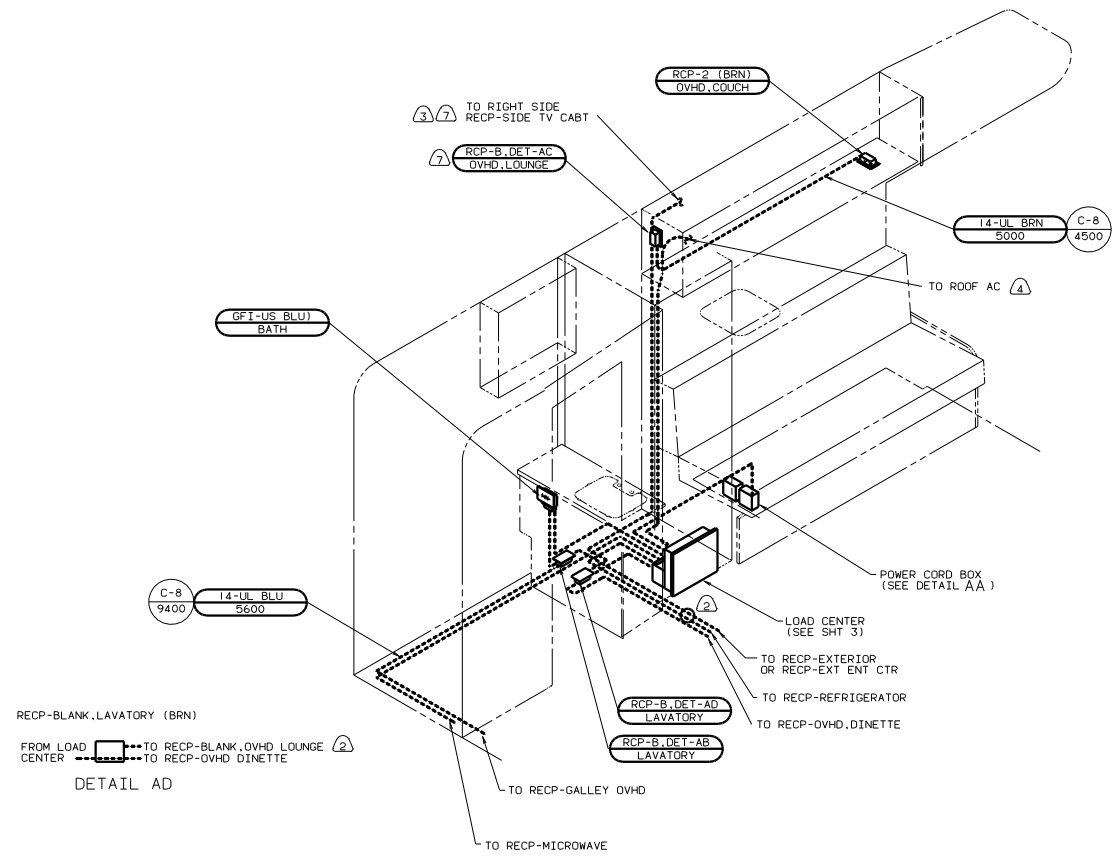
DANGER

Danger of electrical shock, burns or death. Always remove all power sources before attempting any repair, service or diagnostic work. Power can be present from shore power, generator, inverter or battery. All power sources must be disabled and secured before performing any service.

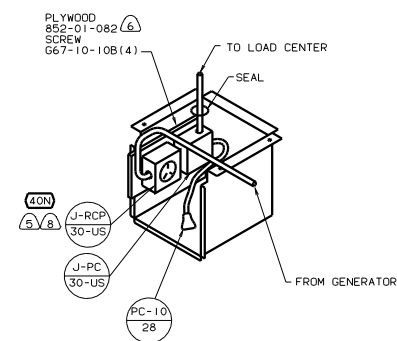


CAUTION

If you lack the skills, tools or equipment to perform diagnostic or repair work leave such work to an authorized Winnebago Industries dealer or other qualified shop.



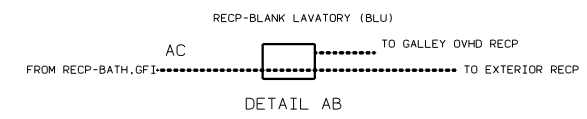
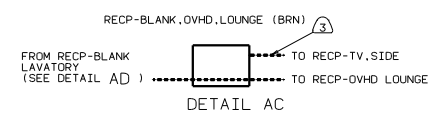
RECP-BLANK, LAVATORY (BRN)
 FROM LOAD CENTER TO RECP-BLANK, OVHD LOUNGE (2)
 TO RECP-OVHD DINETTE
 DETAIL AD



- (78A) TV-13" W/VCP-12V
- (40N) GEN-4, 0KW-ONAN-GAS-MICROLITE
- (12D) ELECTRICAL SYSTEM 30 AMP
- (1B1) CODES/STANDARDS USA

FOR ELECTRICAL TORQUE SPECIFICATIONS SEE DWG NO. 128783-01-000

FOR ELECTRICAL CALLOUTS SEE DWG NO. 121339-01-000

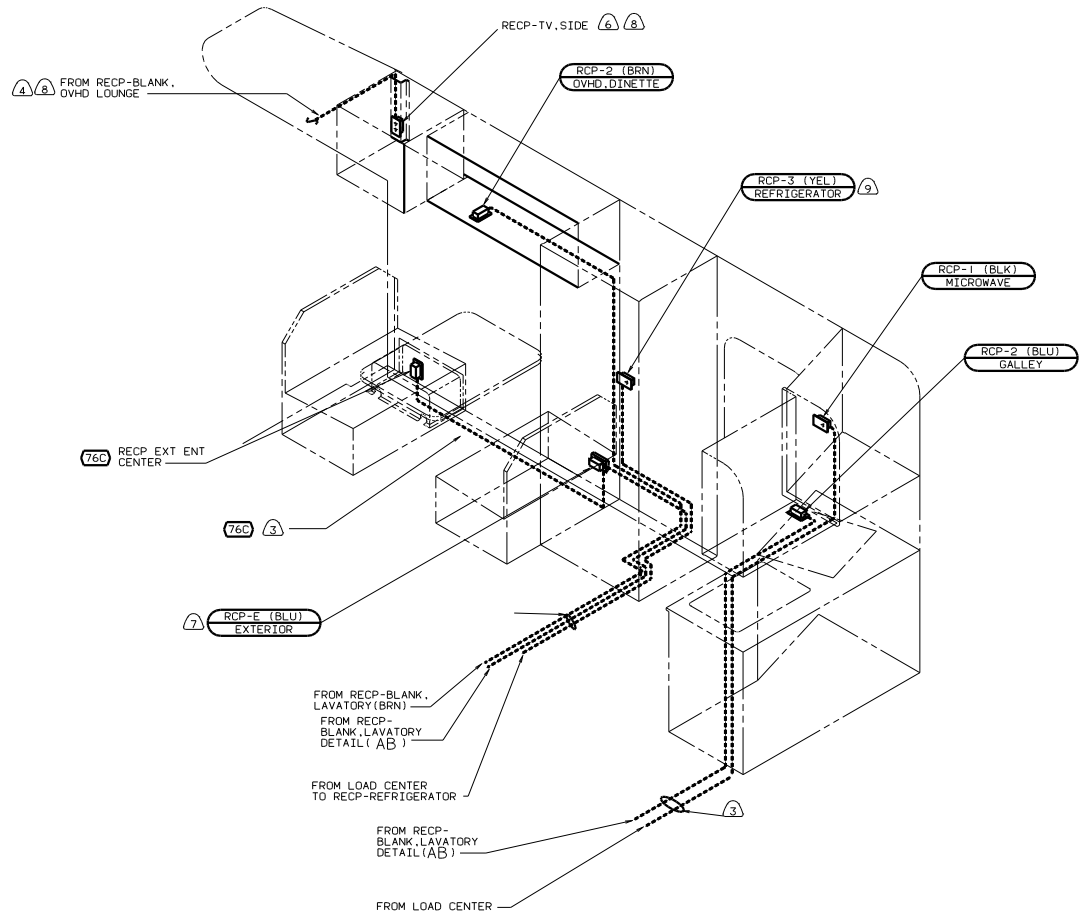


- NOTES:
- (8) INSTALL RECEPTACLE WITH GROUND OPENING TO OUTBOARD SIDE OF VEHICLE
 - (7) NOT USED WITH (78A)
 - (6) PAINT EXPOSED SURFACES BLACK WITH 106112-01-000.
 - (5) SEE GENERATOR INSTL. FOR ADDITIONAL INFORMATION.
 - (4) ROUTE WIRE THRU ROOF
 - (3) WIRE ROUTED IN ROOF
 - (2) ROUTE WIRE THRU FLOOR.
1. ALL CABLES TO BE SECURED WITH CLAMP 10495-01-000 OR CLIP 80734-01-000 EVERY 600MM, AND WITHIN 200MM OF A PANEL, BOX OR FITTING, USE SCREW G6710-12B PER CLAMP UNLESS OTHERWISE SPECIFIED

WINNEBAGO 00 322E

OF IN	DATE	UNSPECIFIED TOLERANCES ARE:	MATERIAL
CHP	DATE	WHOLE DIM (1)	
PL	DATE	ONE-PLACE (1X.21)	
PL	DATE	TWO-PLACE (1X.00)	
PL	DATE	ANGLE	
COMP	DATE	THRU HOLE PRODUCTION	

TITLE: WIRING INSTL-BODY, 110 L30US
 SHEET 1 OF 7
 REF: 129064



- ⑨ LOCATE RECP ON REFRIGERATOR TIEDOWN BRACKET.
- ⑧ NOT USED WITH 78A
- ⑦ NOT USED WITH 76C
- ⑥ SEE WIRING INSTL-TV/VCR. SIDE FOR ADDITIONAL INFORMATION.
- ⑤ SEE ENTERTAINMENT CENTER-COMPL FOR ADDITIONAL INFORMATION.
- ④ WIRE ROUTED IN ROOF.
- ③ ROUTE WIRE ALONG FLOOR.
- ② ROUTE WIRE THRU FLOOR.

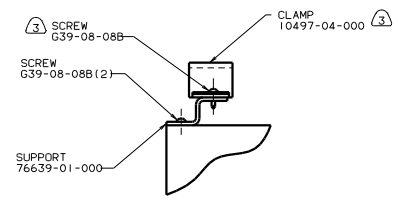
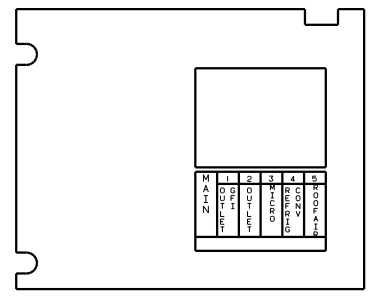
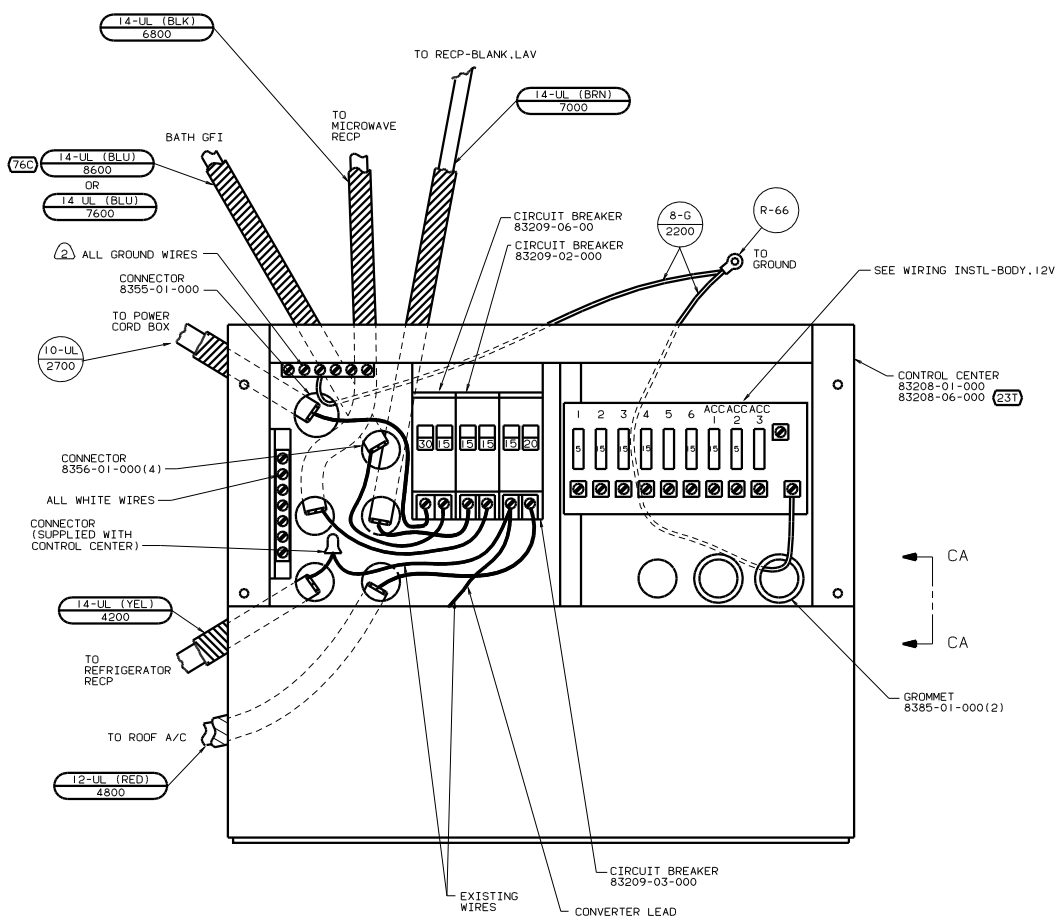
1. ALL CABLES TO BE SECURED WITH CLAMP 10495-01-000 OR CLIP 80734-01-000 EVERY 600MM, AND WITH IN 200MM OF A PANEL, BOX OR FITTING. USE SCREW G67-10-12B PER CLAMP UNLESS OTHERWISE SPECIFIED.

- 78A TV-13" W/VCP-12V
- 76C ENTERTAINMNT CTR/EXT CASSETTE
- 12B ELECTRICAL SYSTEM 30 AMP
- 1B1 CODES/STANDARDS USA

FOR ELECTRICAL TORQUE SPECIFICATIONS SEE DWG NO. 128783-01-000

FOR ELECTRICAL CALLOUTS SEE DWG NO. 121339-01-000

00 322E (1B) (12B)
 WIRING INSTL-BODY, 110 R30US
 SHEET 2 OF 7
 134116



VIEW CA-CA

- (3) FASTEN ALL WIRES TO SUPPORT, USE ONE SCREW PER CLAMP.
 - (2) ALL GROUND WIRES TO BE COVERED WITH TUBING 8041-02-000.
 - 1. ALL CABLES SHALL BE COVERED WITH CONDUIT-CONVOLUTE, SLIT 41953-01-000, UNLESS OTHERWISE SPECIFIED, 600 LESS THAN CABLE LENGTH
- NOTES:

FOR ELECTRICAL TORQUE SPECIFICATIONS SEE DWG NO. 128783-01-000

FOR ELECTRICAL CALLOUTS SEE DWG NO. 121339-01-000

(231) HEATED HOLDING TANKS-PACKAGE

(76C) ENTERTAINMNT CTR/EXT CASSETTE

(12D) ELECTRICAL SYSTEM 30 AMP

(1B1) CODES/STANDARDS USA

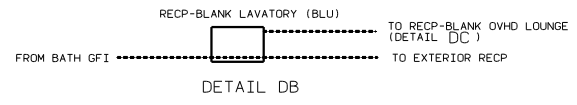
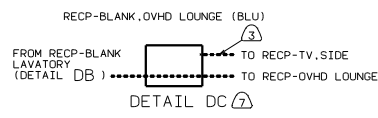
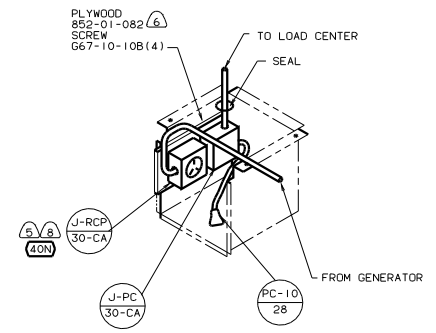
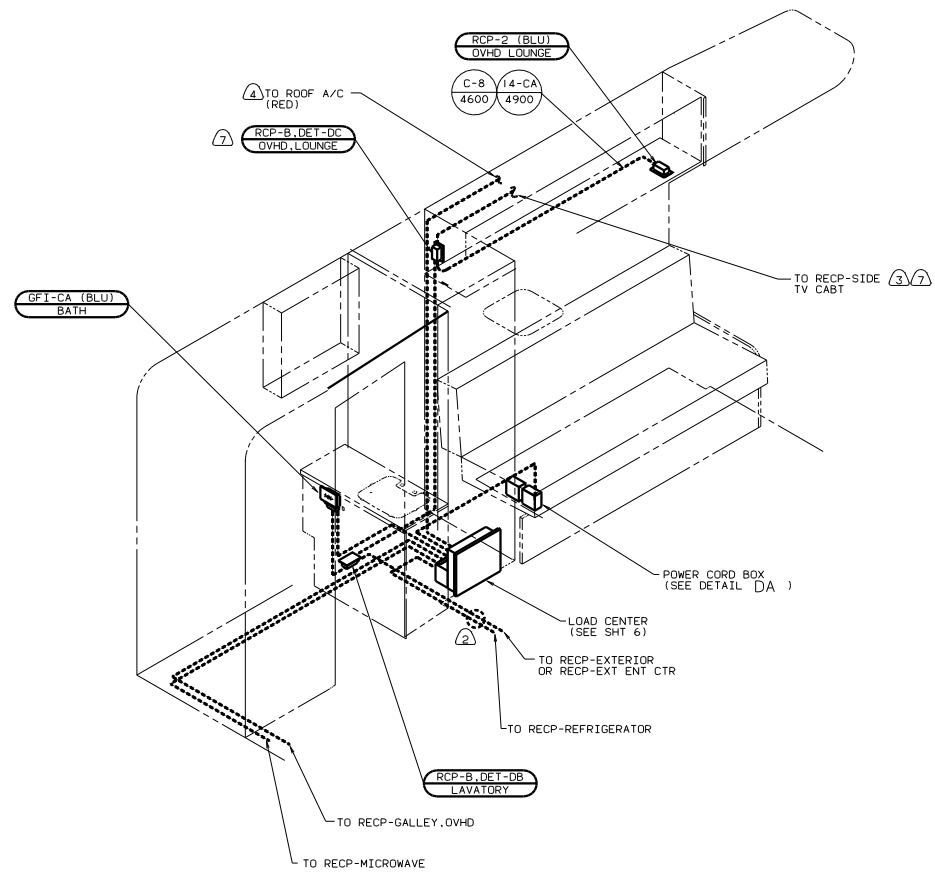
00 322E (1B1) (12D)

FILE: WIRING INSTL-BODY, 110 LC300S

30 201 SCALE: AS SHOWN SHEET 3 OF 7

DATE: 11/81

134116



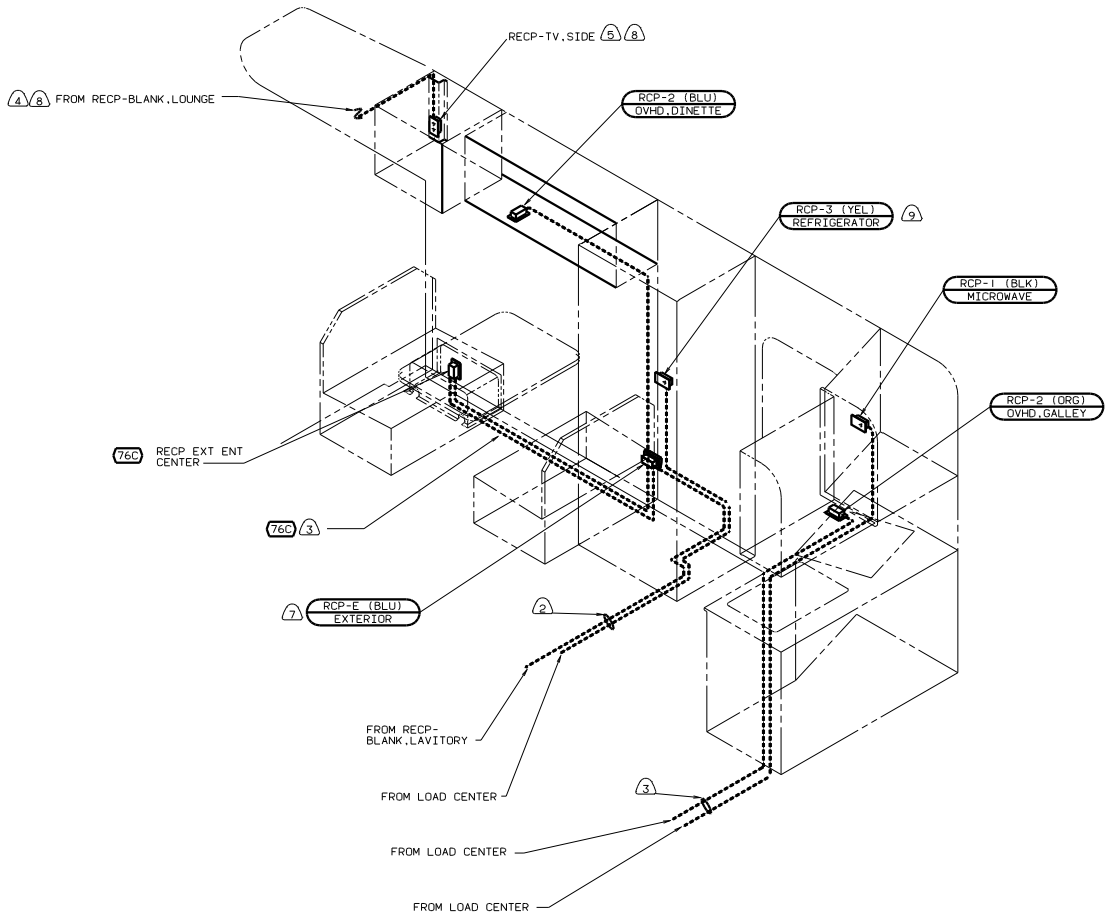
- (8) INSTALL RECEPTACLE WITH GROUND OPENING TO OUTBOARD SIDE OF VEHICLE.
 - (7) NOT USED WITH (78A)
 - (6) PAINT EXPOSED SURFACES BLACK WITH 106112-01-000.
 - (5) SEE GENERATOR INSTALLATION FOR ADDITIONAL INFORMATION.
 - (4) ROUTE WIRE THROUGH ROOF.
 - (3) WIRE ROUTED IN ROOF.
 - (2) ROUTE WIRE THRU FLOOR.
1. ALL CABLES TO BE SECURED WITH CLAMP 10495-01-000 OR CLIP 80734-01-000 EVERY 600", AND WITHIN 200MM OF A PANEL BOX OR FITTING USE SCREW G67-10-12B PER CLAMP UNLESS OTHERWISE SPECIFIED.

DETAIL DA

FOR ELECTRICAL TORQUE SPECIFICATIONS SEE DWG NO. 128783-01-000	(120) ELECTRICAL SYSTEM 30 AMP
FOR ELECTRICAL CALLOUTS SEE DWG NO. 121339-01-000	(78A) TV-13" W/VCP-12V
	(40N) GEN-4.0KW-ONAN-GAS-MICROLITE
	(265) CODES/STANDARDS-CSA/CMVSS

00 322E (265) (120)

WIRING INSTL-BODY.110 L30CA	FIG. NO. 134116
SHEET 4 OF 7	1/E



- (9) LOCATE RCP ON REFRIGERATOR TIEDOWN BRACKET.
- (8) NOT USED WITH (78A)
- (7) NOT USED WITH (76C)
- (6) SEE WIRING INSTL-TV/VCR, SIDE FOR ADDITIONAL INFORMATION.
- (5) SEE ENTERTAINMENT CENTER-COMPL FOR ADDITIONAL INFORMATION.
- (4) WIRE ROUTED IN ROOF.
- (3) ROUTE WIRE ALONG FLOOR.
- (2) ROUTE WIRE THRU FLOOR.

1. ALL CABLES TO BE SECURED WITH CLAMP 10495-01-000 OR CLIP 80734-01-000 EVERY 600MM, AND WITH IN 200MM OF A PANEL, BOX OR FITTING. USE SCREW G67-10-12B PER CLAMP UNLESS OTHERWISE SPECIFIED.

NOTES:

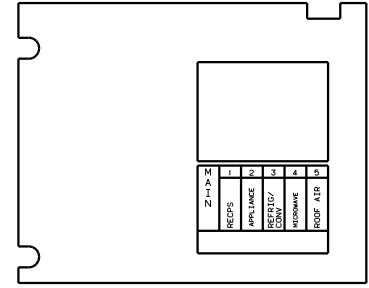
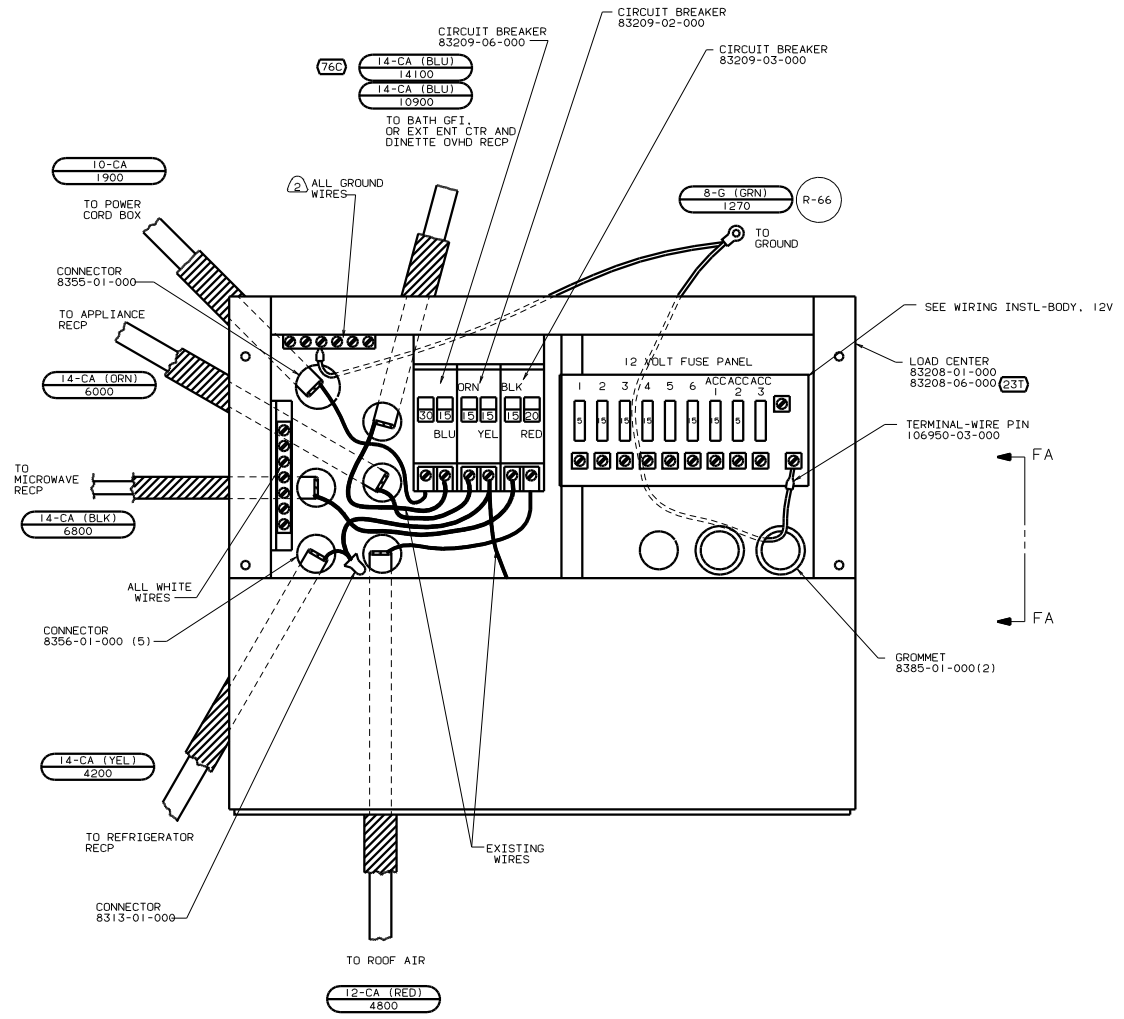
FOR ELECTRICAL TORQUE SPECIFICATIONS SEE DWG NO. 128783-01-000

- (78A) TV-13" W/VCP-12V
- (76C) ENTERTAINMT CTR/EXT CASSETTE
- (265) CODES/STANDARDS-CSA/CMVSS
- (120) ELECTRICAL SYSTEM 30 AMP

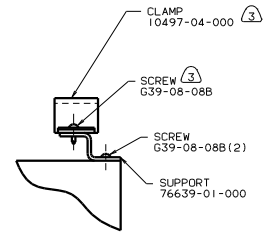
FOR ELECTRICAL CALLOUTS SEE DWG NO. 121339-01-000

00 322E (265) (120)

TITLE		WIRING INSTL-BODY, I10 R30CA	
NO. OF SHEETS	5	SHEET NO.	5
DRAWING NO.		134116	




PANEL-COVER

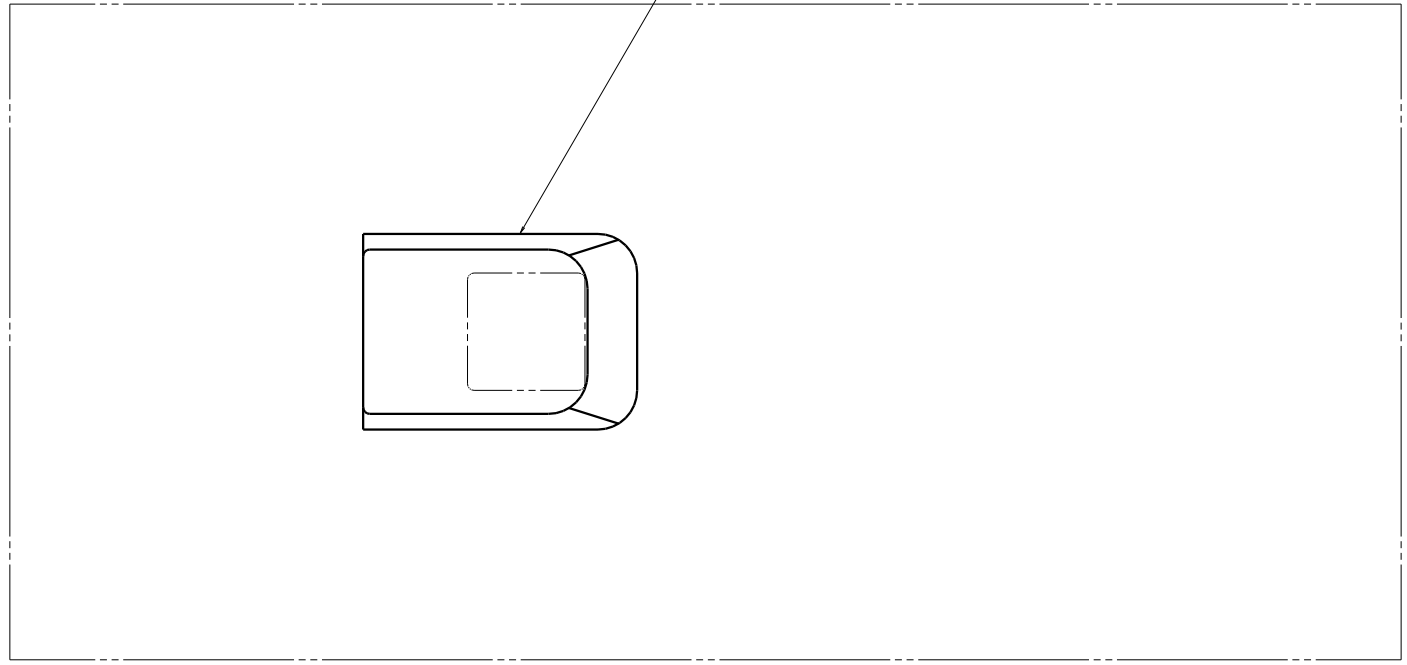
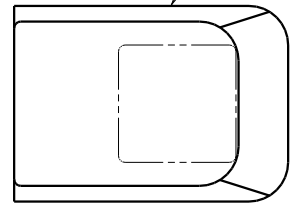


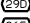


VIEW FA-FA



- NOTES:
- ③ FASTEN ALL WIRES TO SUPPORT. USE ONE SCREW PER CLAMP.
 - ② ALL GROUND WIRES TO BE COVERED WITH TUBING 8041-02-000.
 - 1. ALL CABLES SHALL BE COVERED WITH CONVOLUTE SLIT, 41953-01-000 UNLESS OTHERWISE SPECIFIED, 600 LESS THAN CABLE LENGTH.

FOR ELECTRICAL TORQUE SPECIFICATIONS SEE DWG NO. 128783-01-000	②31 HEATED HOLDING TANKS-PACKAGE
	⑦6C ENTERTAINMENT CTR/EXT CASSETTE
	②65 CODES/STANDARDS-CSA/CMVSS
	①2D ELECTRICAL SYSTEM 30 AMP
FOR ELECTRICAL CALLOUTS SEE DWG NO. 121339-01-000	00 322E ②65 ①2D
	FILE: WIRING INSTL-BODY.110 LC30CA
	SHEET 6 OF 7
	134116


AIR CONDITIONER 
131185-01-CHT
CEILING ASM-A/C DUCTED
131184-03-CHT



-  A/C ROOF-ONE 13,500 BTU
-  CODES/STANDARDS-CSA/CMVSS
-  CODES/STANDARDS USA

00 322E  

TITLE		134116	
WIRING INSTL-BODY, 110V EXT			
DATE	REV		
00/01/2014	1.0		
SHEET 7	OF 7		

 SEE WIRING INSTL-BODY.12V. FOR ADDITIONAL INFORMATION.

NOTES: