



**DANGER**

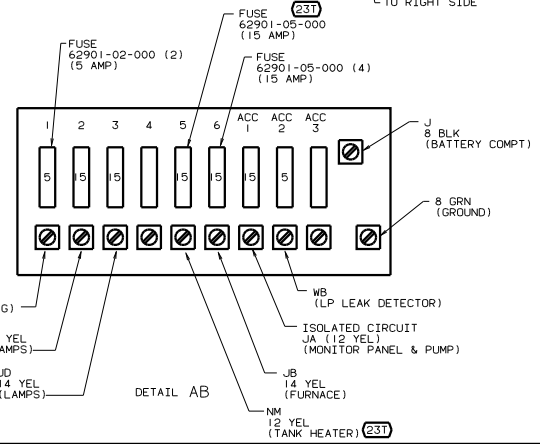
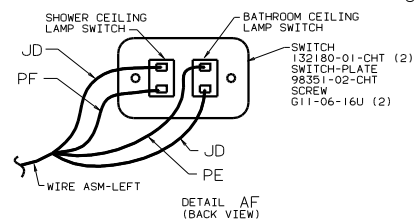
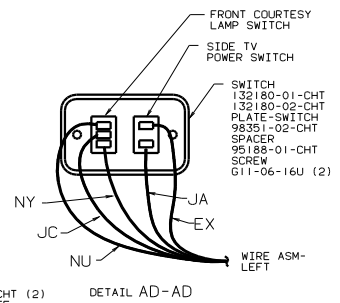
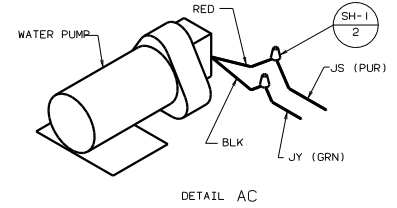
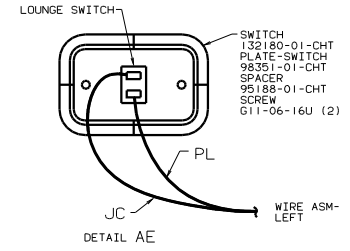
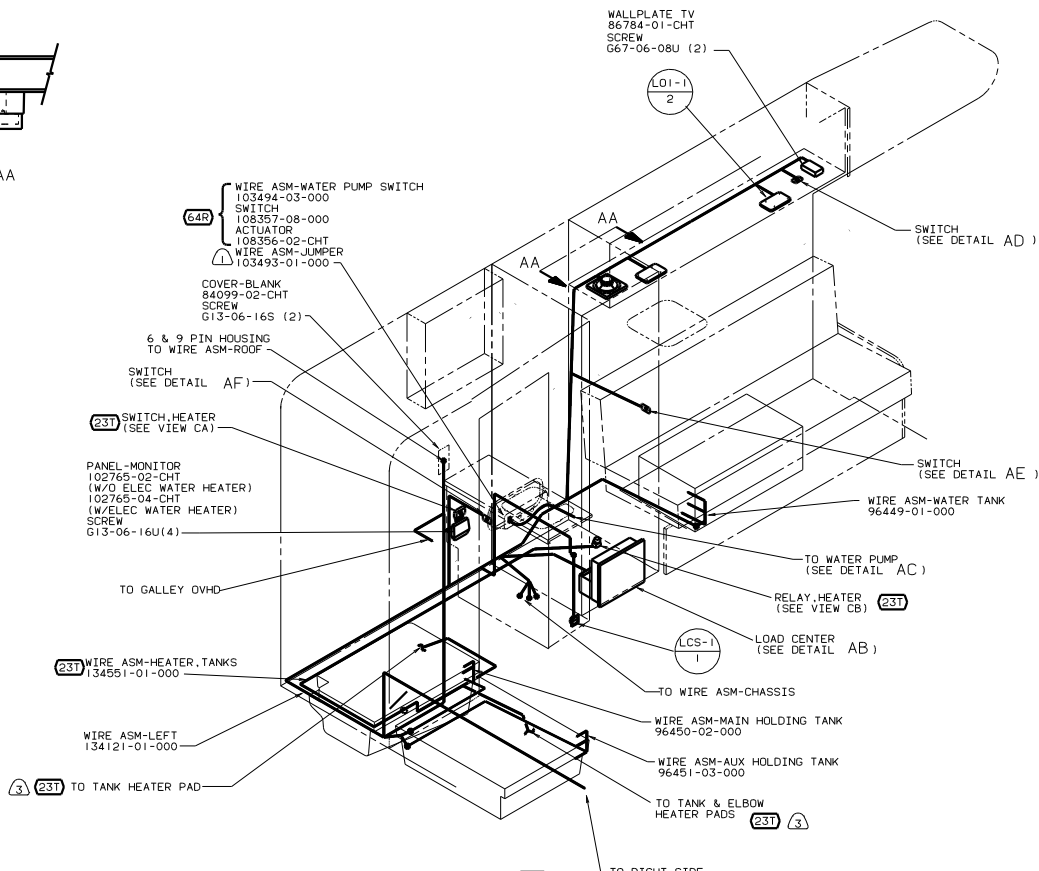
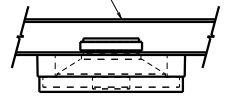
**Danger of electrical shock, burns or death.** Always remove all power sources before attempting any repair, service or diagnostic work. Power can be present from shore power, generator, inverter or battery. All power sources must be disabled and secured before performing any service.



**CAUTION**

If you lack the skills, tools or equipment to perform diagnostic or repair work leave such work to an authorized Winnebago Industries dealer or other qualified shop.

- (2) SPEAKER KIT  
 110465-01-000  
 GRILLE  
 111177-01-CHT  
 SCREW  
 (SUPPLIED W/SPEAKER) (4)  
 SCREW  
 G56-08-32X (4)



- (23T) HEATED HOLDING TANKS-PACKAGE
- (265) CODES/STANDARDS-CSA/CMVSS
- (64R) EXTERIOR WASH STATION
- (1B1) CODES/STANDARDS USA
- (1B1) (265)

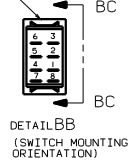
(3) SEE DRAINAGE SYSTEM INSTL FOR HEATER PAD PART NUMBERS AND LOCATION.  
 (2) USE ONE OF THE 4 SPEAKER ASMS PROVIDED IN KIT. SEND THE SCREWS IN THE KIT TO THE SURPLUS STORE TO BE SOLD. SEND THE WIRE ASM W/HSG TO WIRE PREP TO INCORPORATED INTO THE NECESSARY WIRE LOOM.  
 (1) NOT USED WITH (64R)

FOR ELECTRICAL TORQUE SPECIFICATIONS SEE DWG NO. 128783-01-000  
 FOR ELECTRICAL CALLOUTS SEE DWG NO. 121339-01-000

DATE	DESCRIPTION	BY	CHKD

WINNEBAGO 00 322E  
 WIRING INSTL-BODY, 12V, 12V (LH)  
 SHEET 1 OF 5  
 REF: 129064-E I

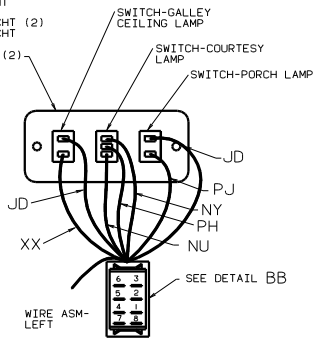
PLATE-SWITCH  
98351-07-CHT  
SWITCH-BATTERY DISCONNECT  
108357-06-CHT  
SCREW  
G11-06-10U(2)



ACTUATOR-SWITCH  
108356-11-CHT

VIEW BC-BC  
(SWITCH ACTUATOR ORIENTATION)

SWITCH-PLATE  
98351-03-CHT  
SWITCH  
132180-01-CHT (2)  
132180-02-CHT  
SCREW  
G11-06-16U (2)

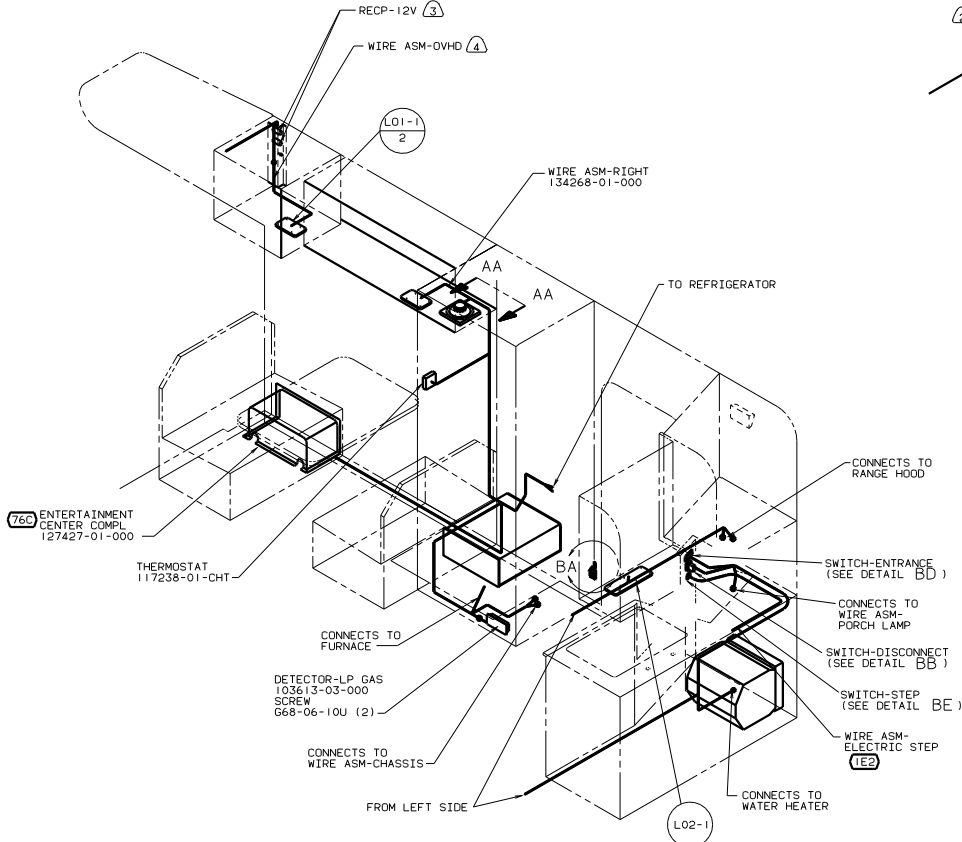


DETAIL BD  
(BACK VIEW)

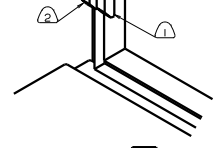
SWITCH  
132180-01-CHT  
PLATE-SWITCH  
98351-10-000  
SCREW  
G11-06-16U (2)



DETAIL BE (E2)  
(BACK VIEW)



DOOR JAMB  
ROUTE WIRES THRU HOLE GROMMET  
8386-01-000  
SWITCH/MAGNET STEP-ELECTRIC  
116995-02-000  
SCREW  
G11-06-08B (4)



DETAIL BA (E2)

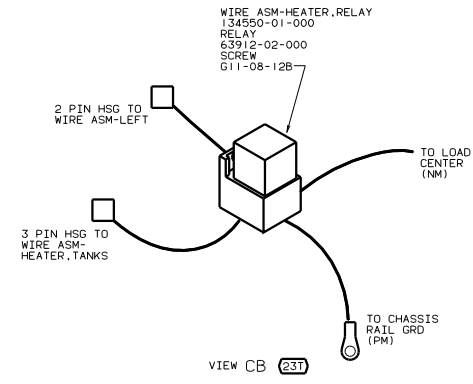
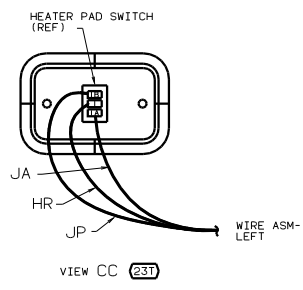
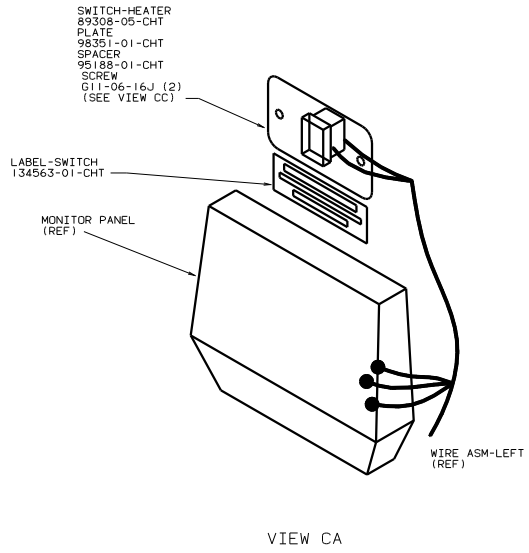
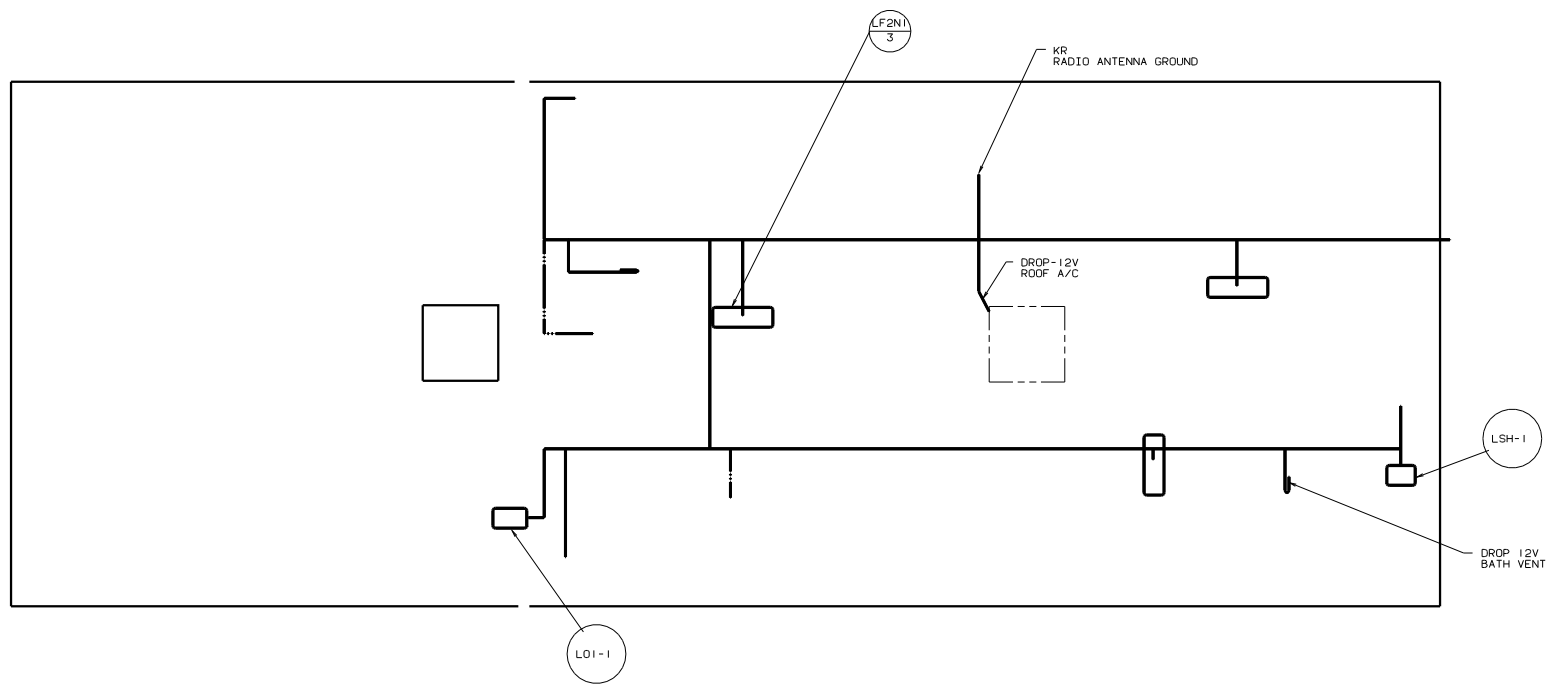
- ④ SEE CABT ASM-OVHD-TV FOR ADDITIONAL INFORMATION.
- ③ SEE WIRING INSTL-TV/VCR SIDE FOR ADDITIONAL INFORMATION.
- ② MOUNT SWITCH AND SPACER TO BLOCK ON JAMB. ADJUST HEIGHT TO MATCH MAGNET.
- ① MOUNT MAGNET USING PILOT HOLES IN SCREEN DOOR FRAME. MOUNT WITH MAGNET TOWARD SWITCH.

FOR ELECTRICAL TORQUE SPECIFICATIONS SEE DWG NO. 128783-01-000

FOR ELECTRICAL CALLOUTS SEE DWG NO. 121339-01-000

76C ENTERTAINMENT CTR/EXT CASSETTE  
265 CODES/STANDARDS-CSA/CMVSS  
E2 ENTRANCE STEP-ELEC.  
1B1 CODES/STANDARDS USA

00 322E 1B1 265  
TITLE: WIRING INSTL-BODY, 12V (RH)  
SHEET 2 OF 5



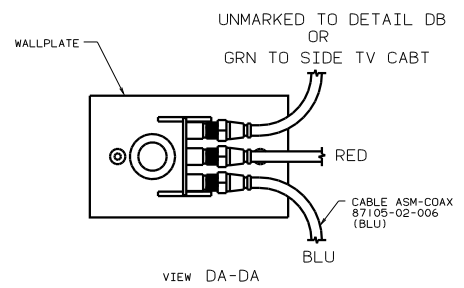
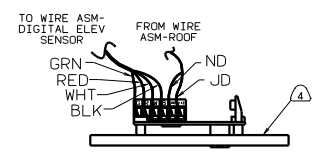
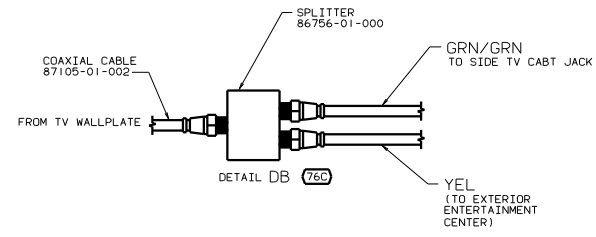
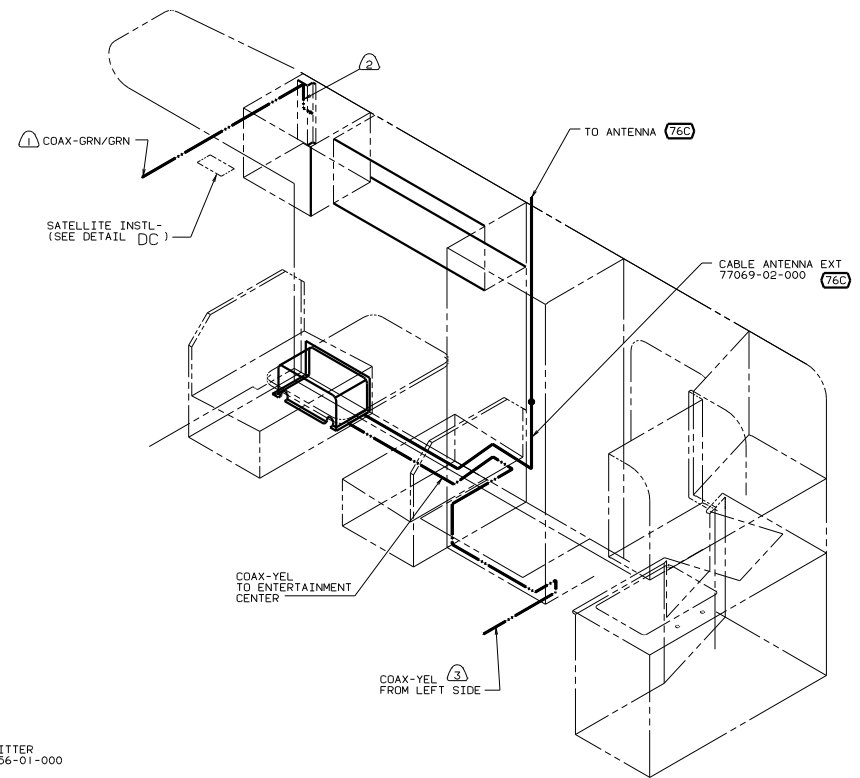
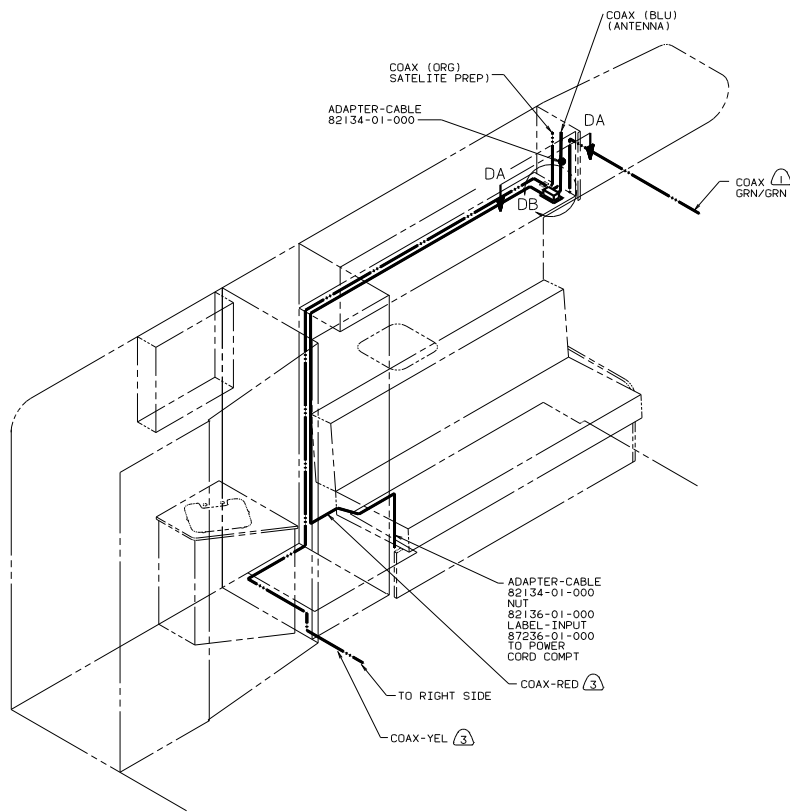
FOR ELECTRICAL CALLOUTS SEE DWG NO. 121339-01-000

FOR ELECTRICAL TORQUE SPECIFICATIONS SEE DWG NO. 128783-01-000

(23T) HEATED HOLDING TANKS-PACKAGE  
 (265) CODES/STANDARDS-CSA/CMVSS  
 (1B1) CODES/STANDARDS USA  
 00 322E (1B) (265)

TITLE: WIRING INSTL - BODY, 12V CELL  
 SHEET 3 OF 5

NOTES:

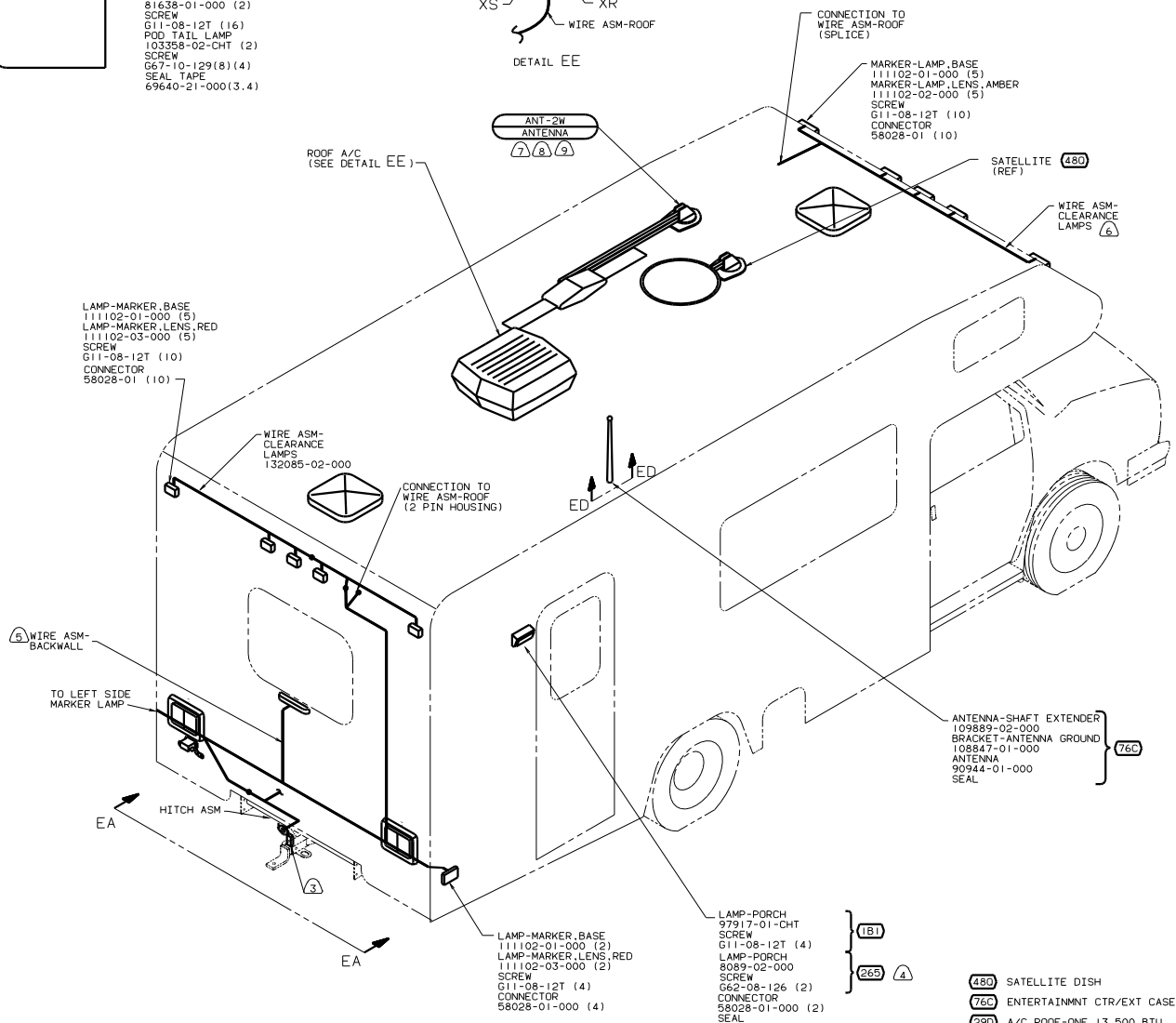
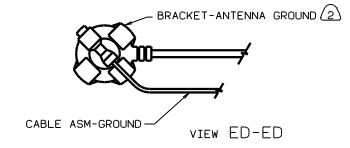
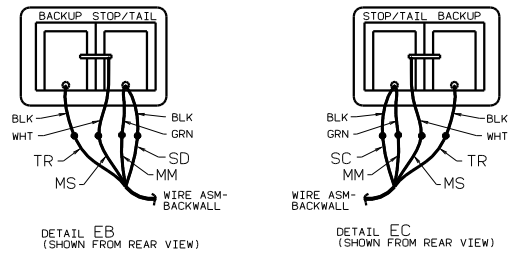
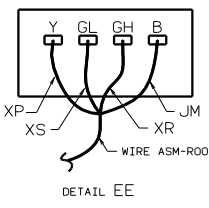
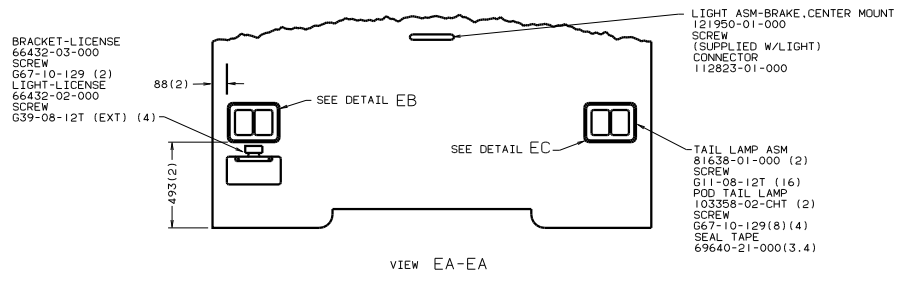


- NOTES:
- ④ SENSOR IS SUPPLIED WITH SATELLITE INSTL-KIT.
  - ③ COAX IS AN INTEGRAL PART OF WIRE ASM-LEFT
  - ② SEE WIRING INSTL-TV/VCR-SIDE FOR ADDITIONAL INFORMATION.
  - ① ROUTED IN ROOF.

- (76C) ENTERTAINMENT CTR/EXT CASSETTE
- (480) SATELLITE DISH
- (265) CODES/STANDARDS-CSA/CMVSS
- (193) TV ANTENNA
- (181) CODES/STANDARDS USA

FOR ELECTRICAL TORQUE SPECIFICATIONS SEE DWG NO. 128783-01-000

00 322E (181) (265)	
TITLE: WIRING INSTL-BODY, 12V(COAX)	FIG NO: 1.6
NO. OF SHEETS: 5	SHEET NO: 4
134115	



- (9) ADD RUBBER BUMPER TO ROOF UNDER EACH END OF ANTENNA IN DOWN POSITION WHICH MAY COME INTO CONTACT WITH ROOF.
  - (8) LOCATE CLAMP TO RETAIN CABLE BUT NOT TO RESTRICT ANTENNA TRAVEL.
  - (7) SEE DRAWING 76319-01-000 FOR INSTALLATION OF TV ANTENNA.
  - (6) LOCATED IN FRONT ROOF ASM.
  - (5) LOCATED IN BACKWALL ASM.
  - (4) INSTALL WITH WIRES TOWARDS ROOF.
  - (3) SECURE WIRE BELOW COACH WITH CLAMP 10495-01-000 AND SCREW G67-10-128.
  - (2) WRAP BRACKET LEGS AROUND ANTENNA BASE.
1. CONNECTOR-PLUG, TRAILER 113589-01-000 TO BE SUPPLIED LOOSE IN COACH WITH TRAILER TOW PACKAGE.

FOR ELECTRICAL TORQUE SPECIFICATIONS SEE DWG NO. 128783-01-000

(X-X)

FOR ELECTRICAL CALLOUTS SEE DWG NO. 121339-01-000

- (480) SATELLITE DISH
- (76C) ENTERTAINMENT CTR/EXT CASSETTE
- (29D) A/C ROOF-ONE 13,500 BTU
- (265) CODES/STANDARDS-CSA/CMVSS
- (1B1) CODES/STANDARDS USA

00 322E (1B1) (265)