



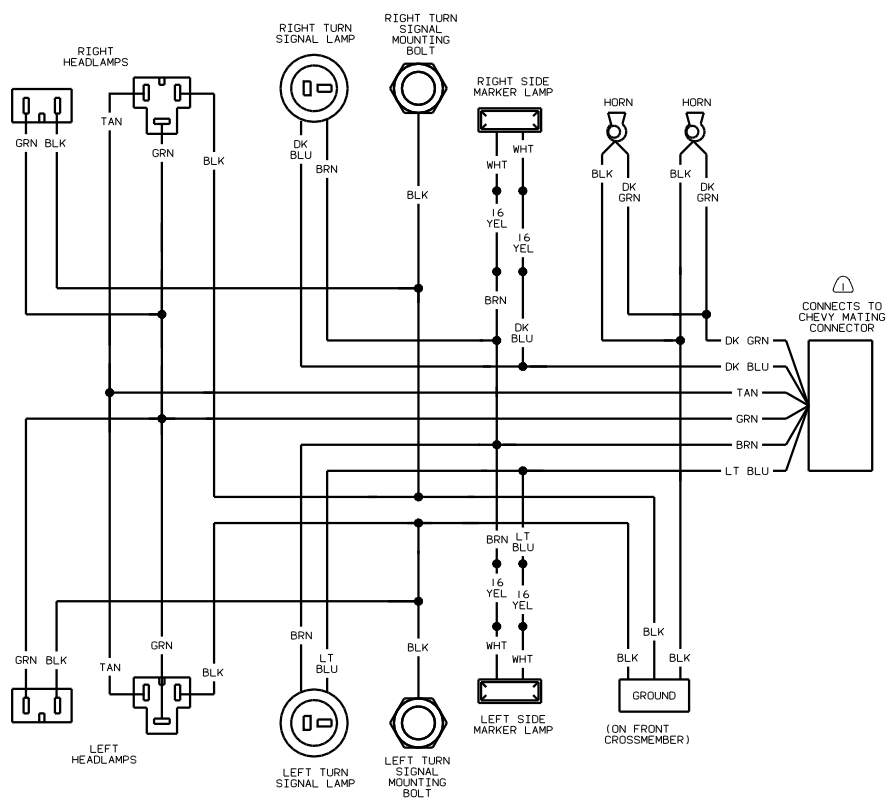
DANGER

Danger of electrical shock, burns or death. Always remove all power sources before attempting any repair, service or diagnostic work. Power can be present from shore power, generator, inverter or battery. All power sources must be disabled and secured before performing any service.

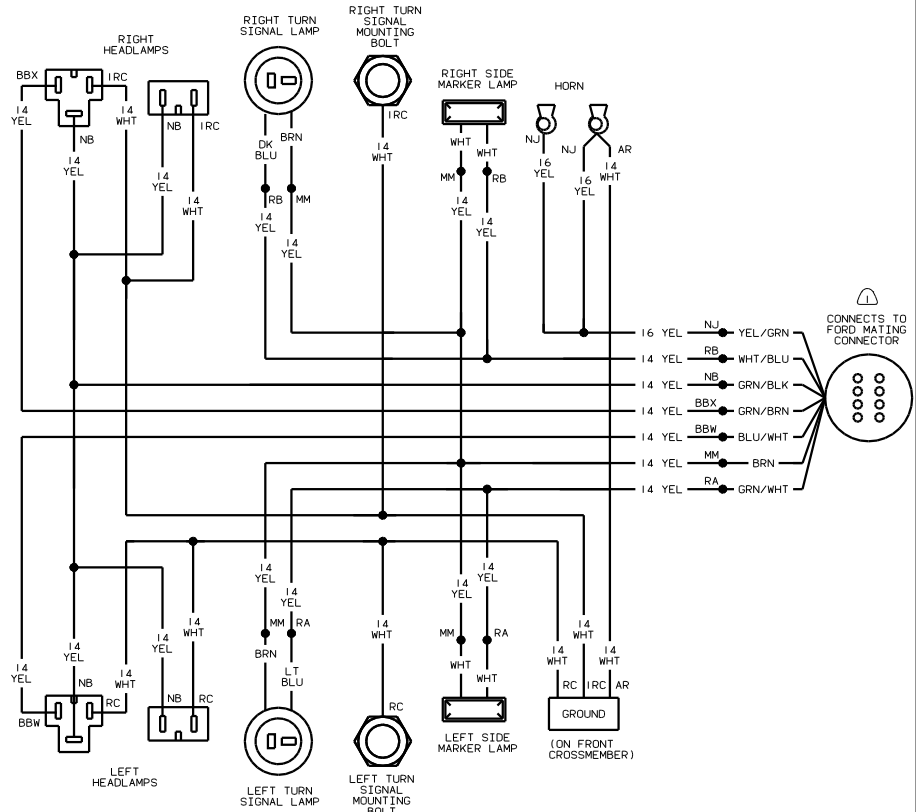


CAUTION

If you lack the skills, tools or equipment to perform diagnostic or repair work leave such work to an authorized Winnebago Industries dealer or other qualified shop.



WIRING DIAGRAM-HEADLAMP
 (WORKHORSE CHASSIS)
 (WIRE ASM 103784-01)



WIRING DIAGRAM-HEADLAMP
 (FORD CHASSIS)
 (WIRE ASM 103784-21)

F-SERIES
 WINNEBAGO

NOTES: SEE MANUFACTURER'S DIAGRAM FOR ADDITIONAL INFORMATION.

REV		DATE	DESCRIPTION	BY	CHK
1			ISSUED FOR PRODUCTION		
2			REVISED FOR PRODUCTION		
3			REVISED FOR PRODUCTION		
4			REVISED FOR PRODUCTION		
5			REVISED FOR PRODUCTION		
6			REVISED FOR PRODUCTION		
7			REVISED FOR PRODUCTION		
8			REVISED FOR PRODUCTION		

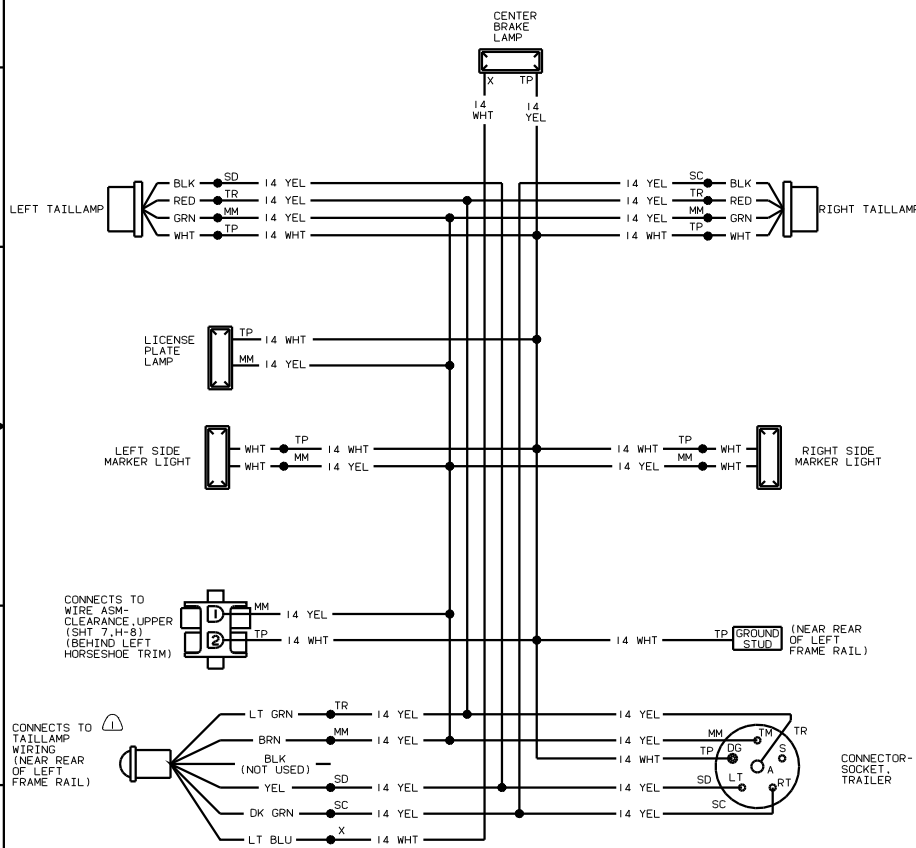
DATE	10/1/81	BY	J. E. H.
DATE	10/1/81	BY	J. E. H.
DATE	10/1/81	BY	J. E. H.
DATE	10/1/81	BY	J. E. H.
DATE	10/1/81	BY	J. E. H.
DATE	10/1/81	BY	J. E. H.
DATE	10/1/81	BY	J. E. H.
DATE	10/1/81	BY	J. E. H.
DATE	10/1/81	BY	J. E. H.
DATE	10/1/81	BY	J. E. H.

WINNEBAGO 00 F-SERIES

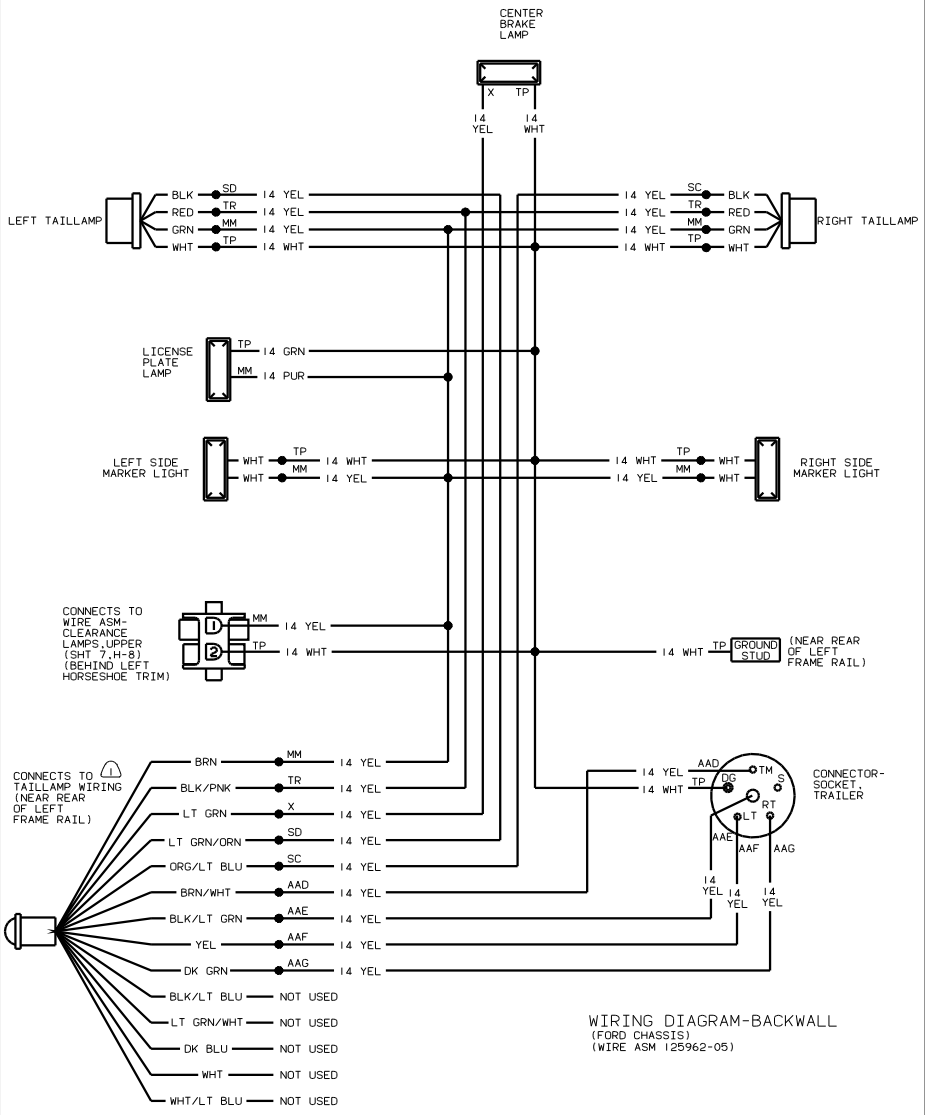
WIRING DIAGRAM-AUTO LAMPS

SHEET 1 OF 7

134022

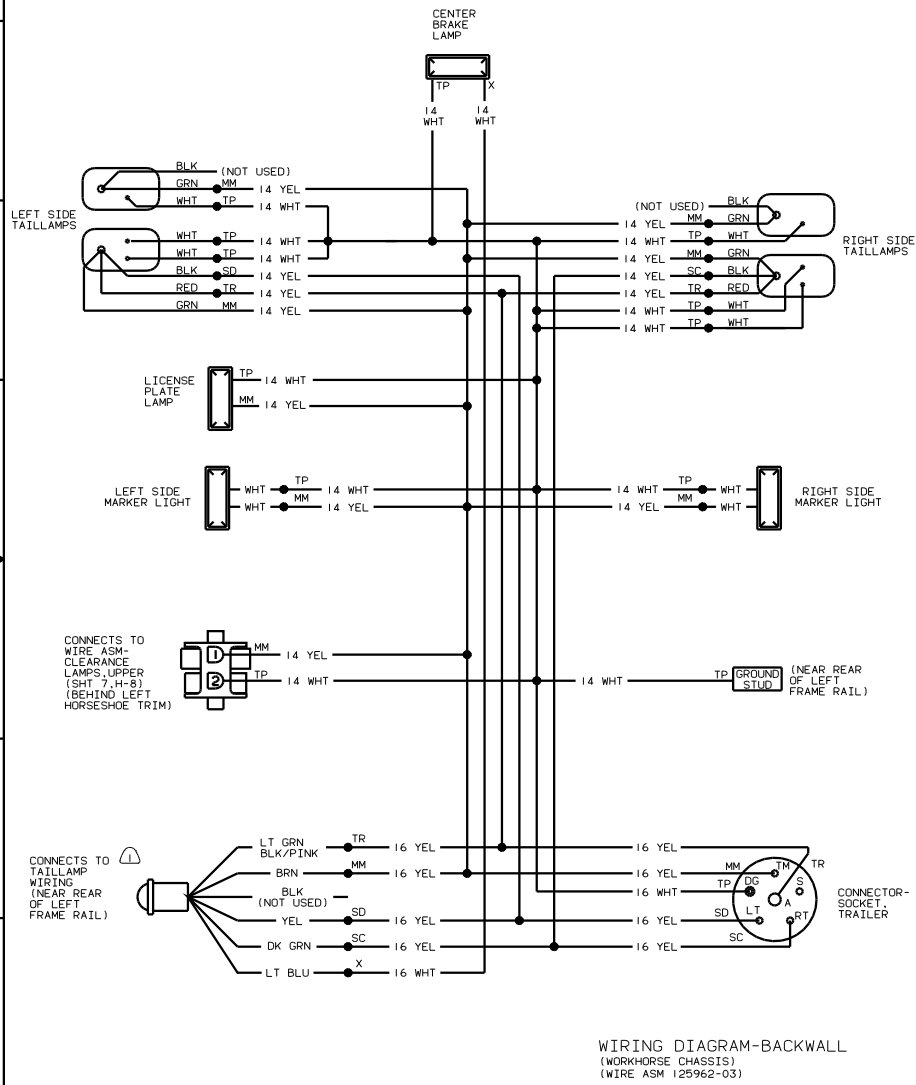


WIRING DIAGRAM-BACKWALL (WORKHORSE CHASSIS) (WIRE ASM 125962-01)

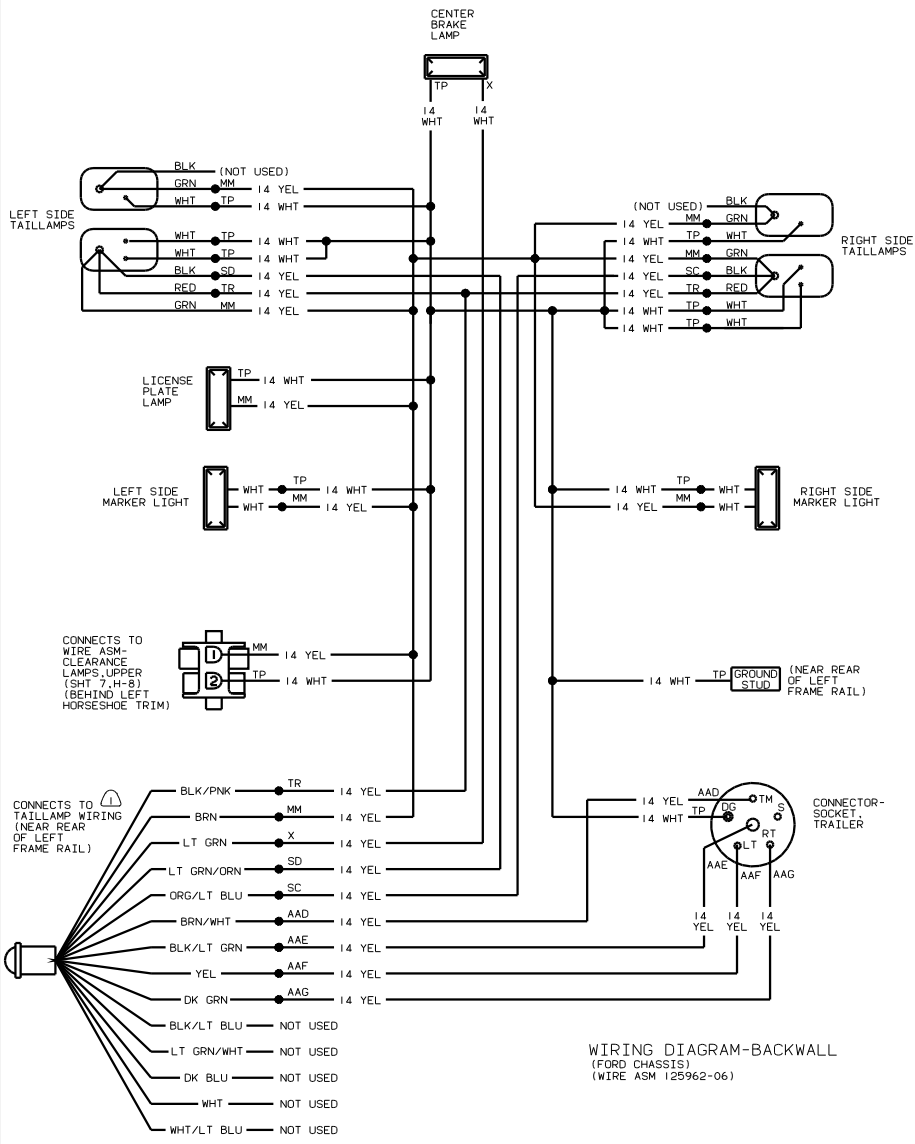


WIRING DIAGRAM-BACKWALL (FORD CHASSIS) (WIRE ASM 125962-05)

SEE MANUFACTURERS DIAGRAM FOR ADDITIONAL INFORMATION.

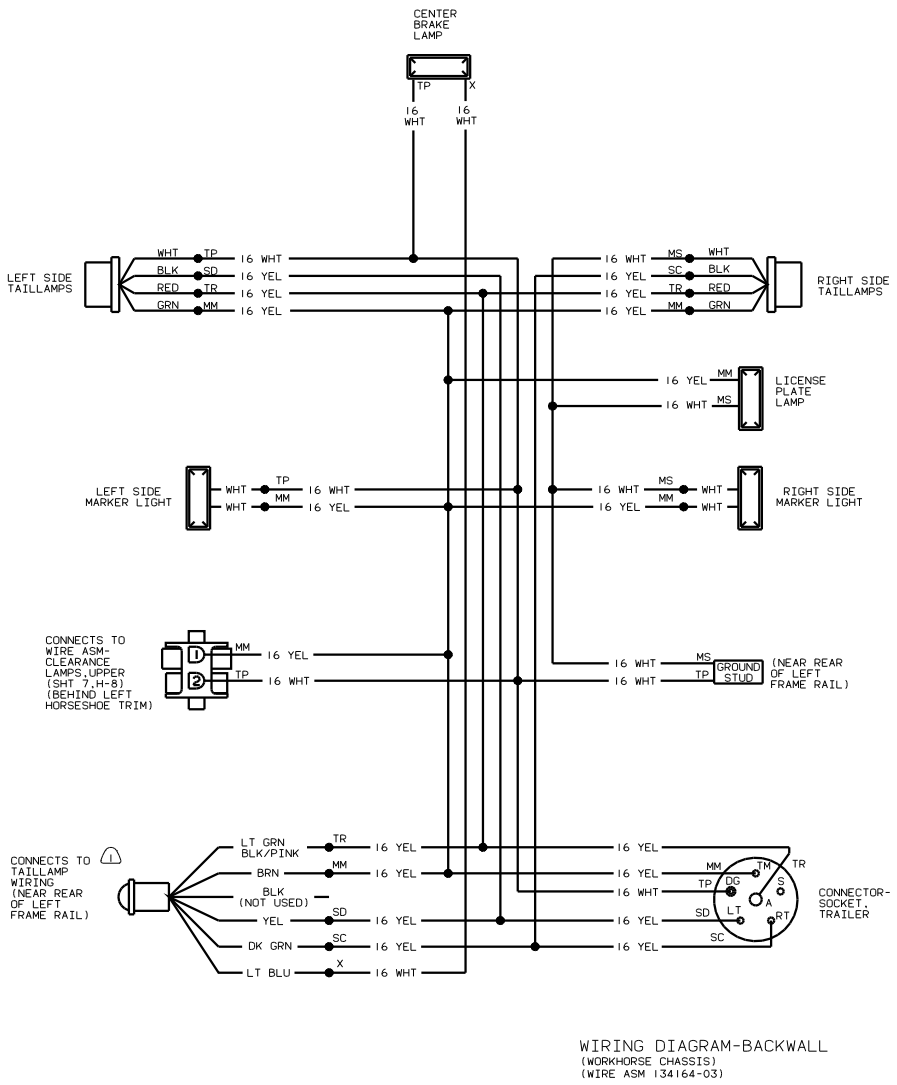


WIRING DIAGRAM-BACKWALL (WORKHORSE CHASSIS) (WIRE ASM 125962-03)

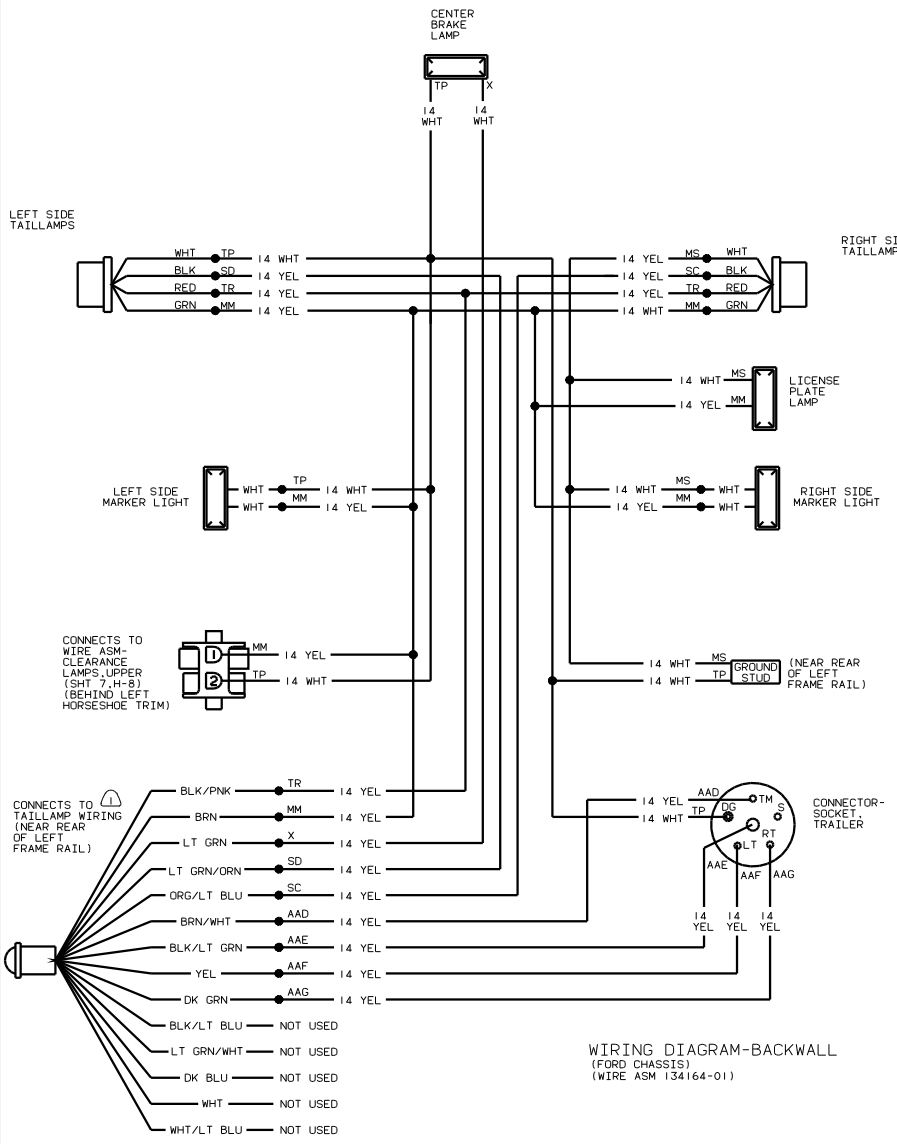


WIRING DIAGRAM-BACKWALL (FORD CHASSIS) (WIRE ASM 125962-06)

SEE MANUFACTURERS DIAGRAM FOR ADDITIONAL INFORMATION.

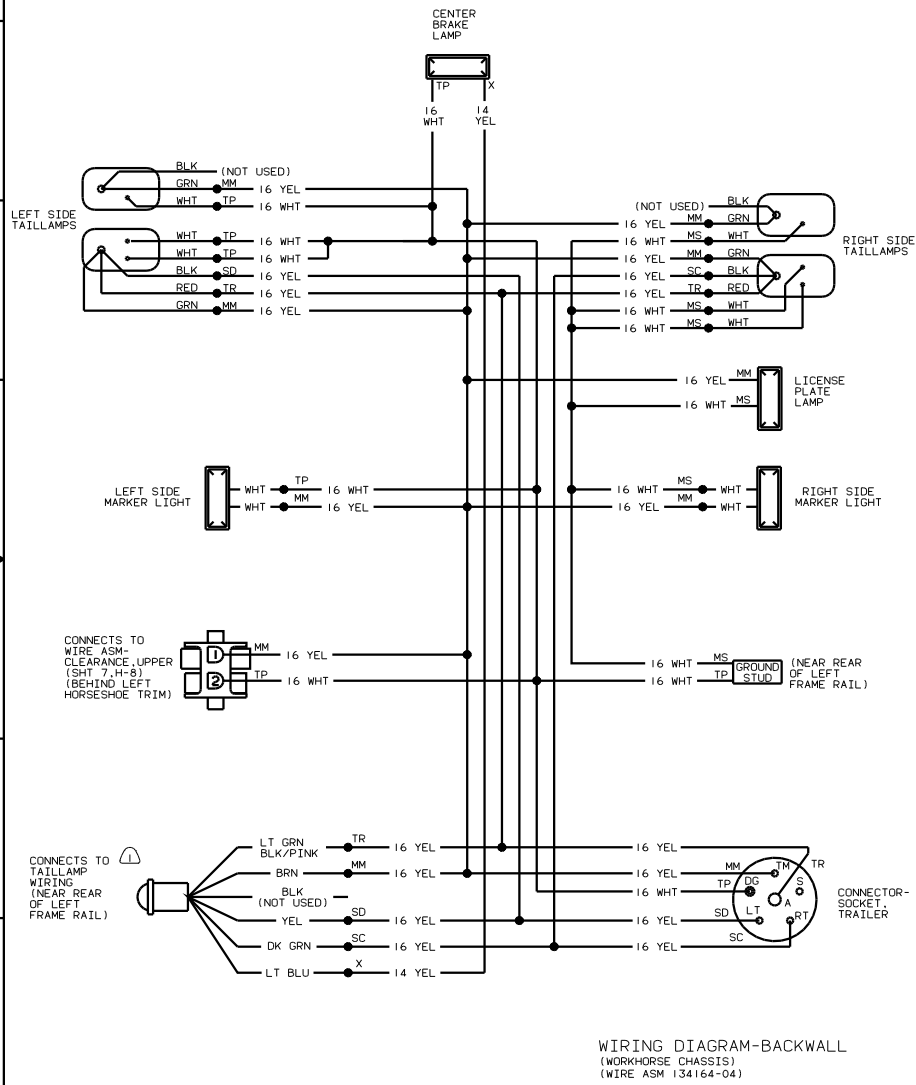


WIRING DIAGRAM-BACKWALL (WORKHORSE CHASSIS) (WIRE ASM 134164-03)

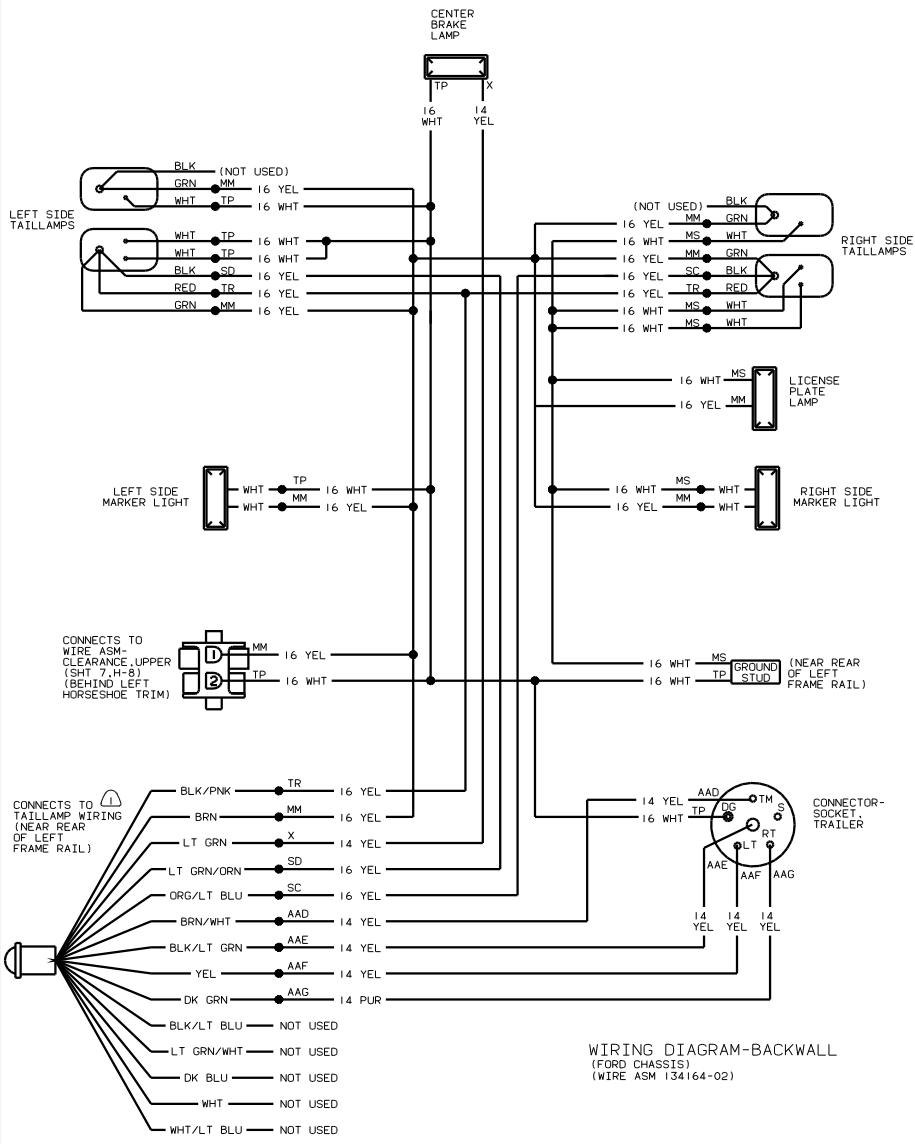


WIRING DIAGRAM-BACKWALL (FORD CHASSIS) (WIRE ASM 134164-01)

SEE MANUFACTURERS DIAGRAM FOR ADDITIONAL INFORMATION.



WIRING DIAGRAM-BACKWALL
(WORKHORSE CHASSIS)
(WIRE ASM 134164-04)



WIRING DIAGRAM-BACKWALL
(FORD CHASSIS)
(WIRE ASM 134164-02)

CONNECTS TO
TAILLAMP
WIRING
(NEAR REAR
OF LEFT
FRAME RAIL)

CONNECTS TO
WIRE ASM-
CLEARANCE, UPPER
(SHT 7, H-8)
(BEHIND LEFT
HORSESHOE TRIM)

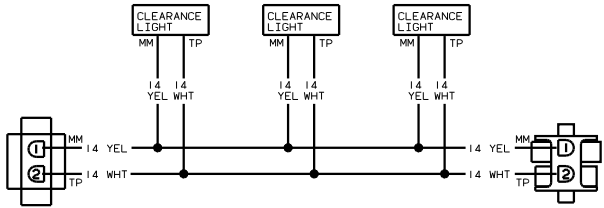
CONNECTS TO
TAILLAMP WIRING
(NEAR REAR
OF LEFT
FRAME RAIL)

CONNECTOR-
SOCKET,
TRAILER

NOTES: SEE MANUFACTURERS DIAGRAM FOR ADDITIONAL INFORMATION.

00 F30A
F32T
F33V
F35C
ITASCA

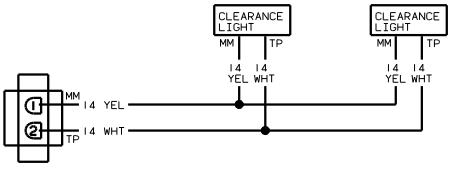
CONNECTS TO
WIRE ASM-BACKWALL
(SHT 3,D-8 & D-4)
(SHT 4,D-8 & D-4)
(SHT 5,D-8 & D-4)
(SHT 6,D-8 & D-4)
(BEHIND LEFT
HORSESHOE TRIM)



CONNECTS TO
WIRE ASM-
CLEARANCE, UPPER
(SHT 7,F-7)
(NEAR CENTER OF
UPPER HORSESHOE TRIM)

WIRING DIAGRAM-CLEARANCE LAMPS,UPPER
(WIRE ASM 123176-01)

CONNECTS TO
WIRE ASM-
CLEARANCE, UPPER
(SHT 7,H-5)
(NEAR CENTER OF
UPPER HORSESHOE
TRIM)



WIRING DIAGRAM-CLEARANCE LAMPS,UPPER
(WIRE ASM 123176-02)

SEE MANUFACTURERS DIAGRAM FOR ADDITIONAL INFORMATION.

NOTES:

00 F-SERIES