



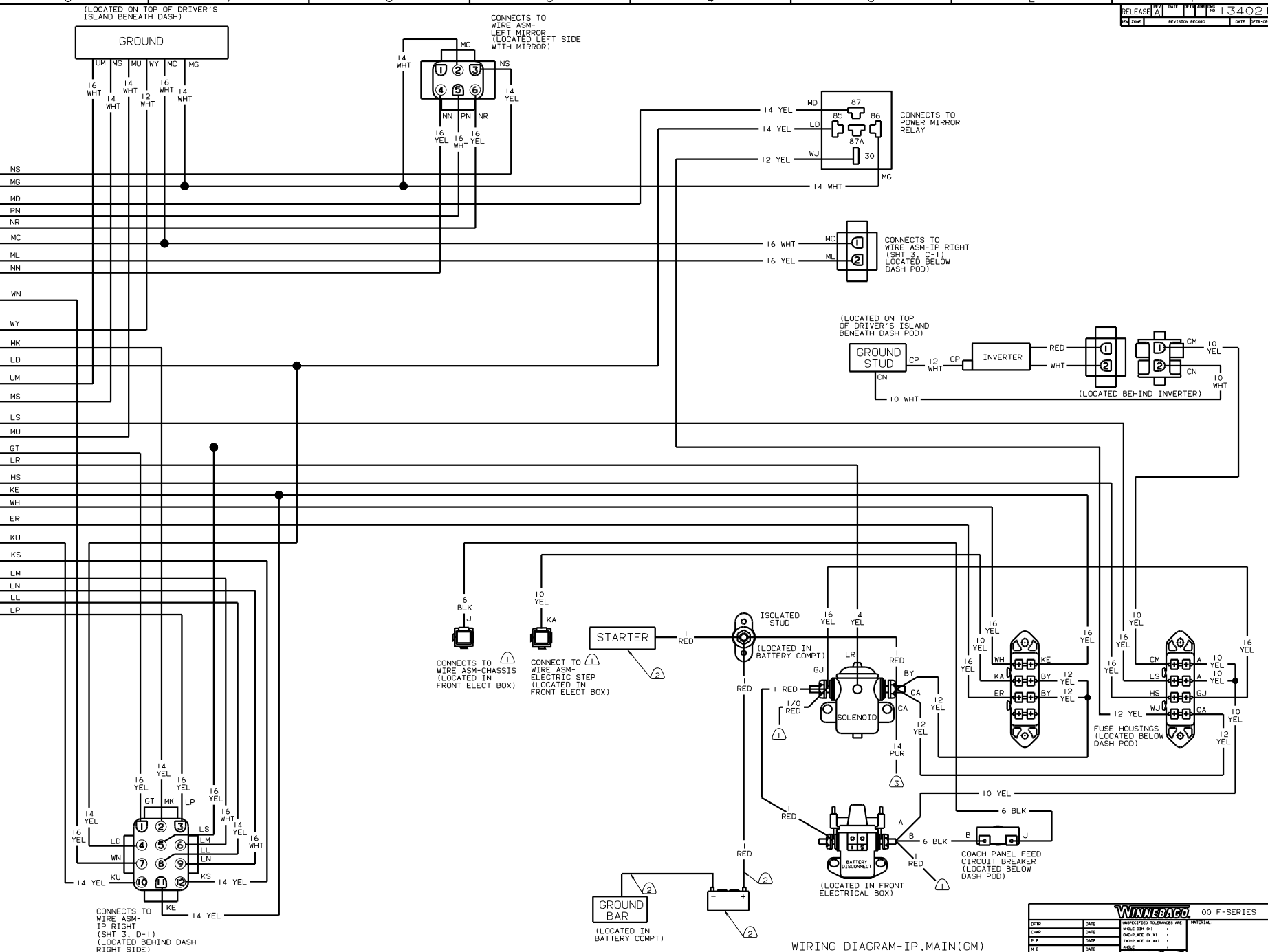
**DANGER**

**Danger of electrical shock, burns or death.** Always remove all power sources before attempting any repair, service or diagnostic work. Power can be present from shore power, generator, inverter or battery. All power sources must be disabled and secured before performing any service.



**CAUTION**

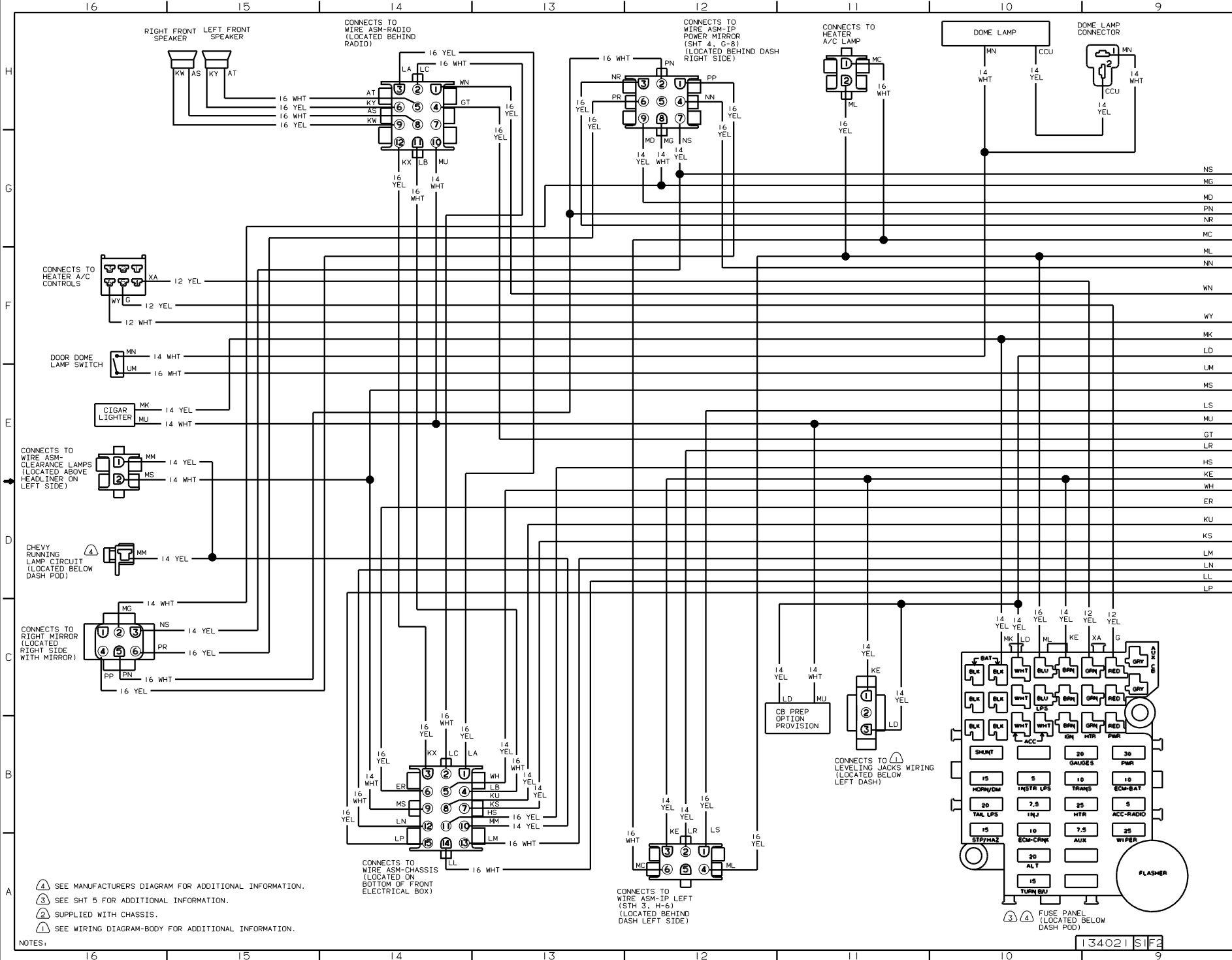
If you lack the skills, tools or equipment to perform diagnostic or repair work leave such work to an authorized Winnebago Industries dealer or other qualified shop.

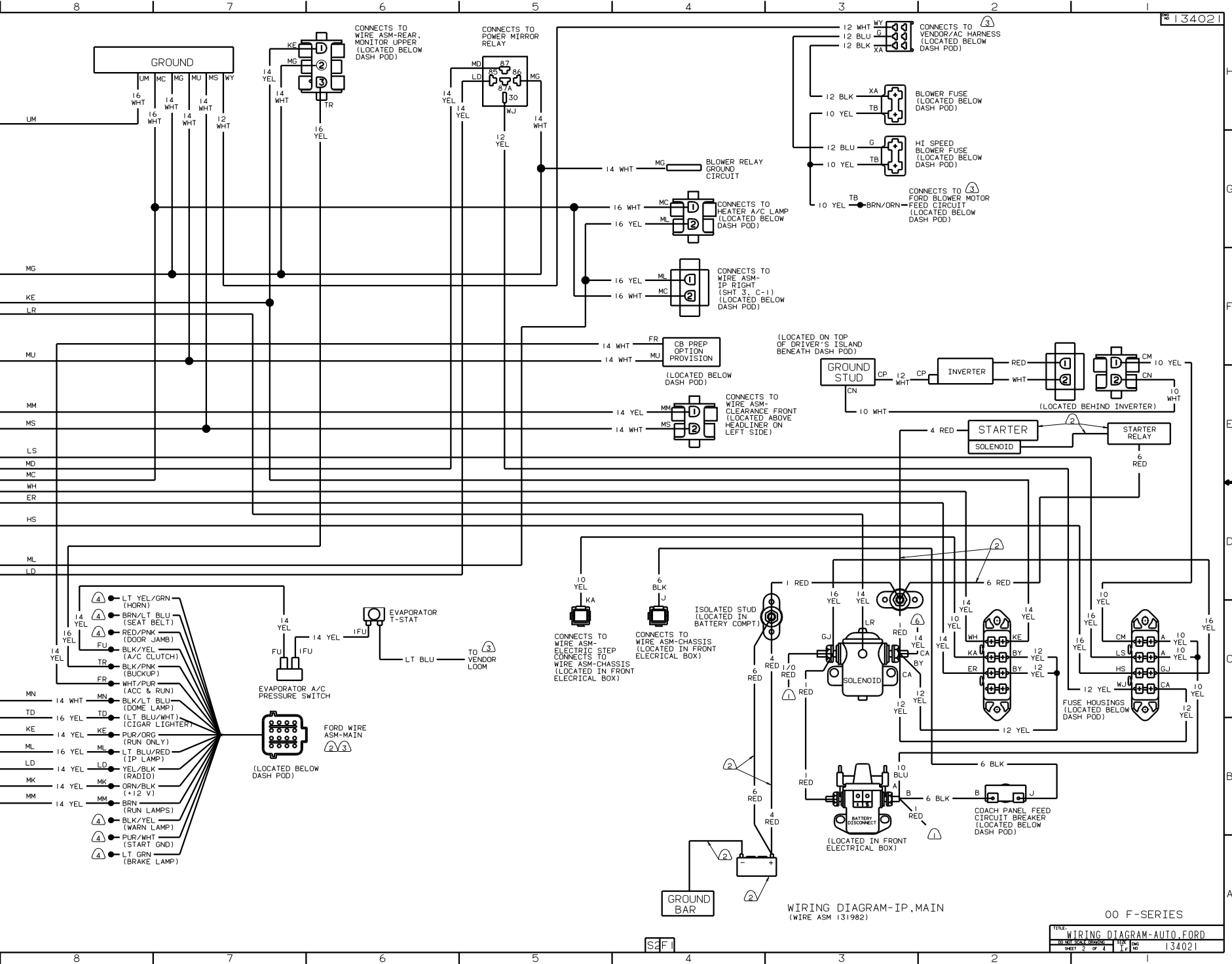


WIRING DIAGRAM-IP, MAIN (GM)  
 (WIRE ASM 131981)

DATE		DESCRIPTION	BY

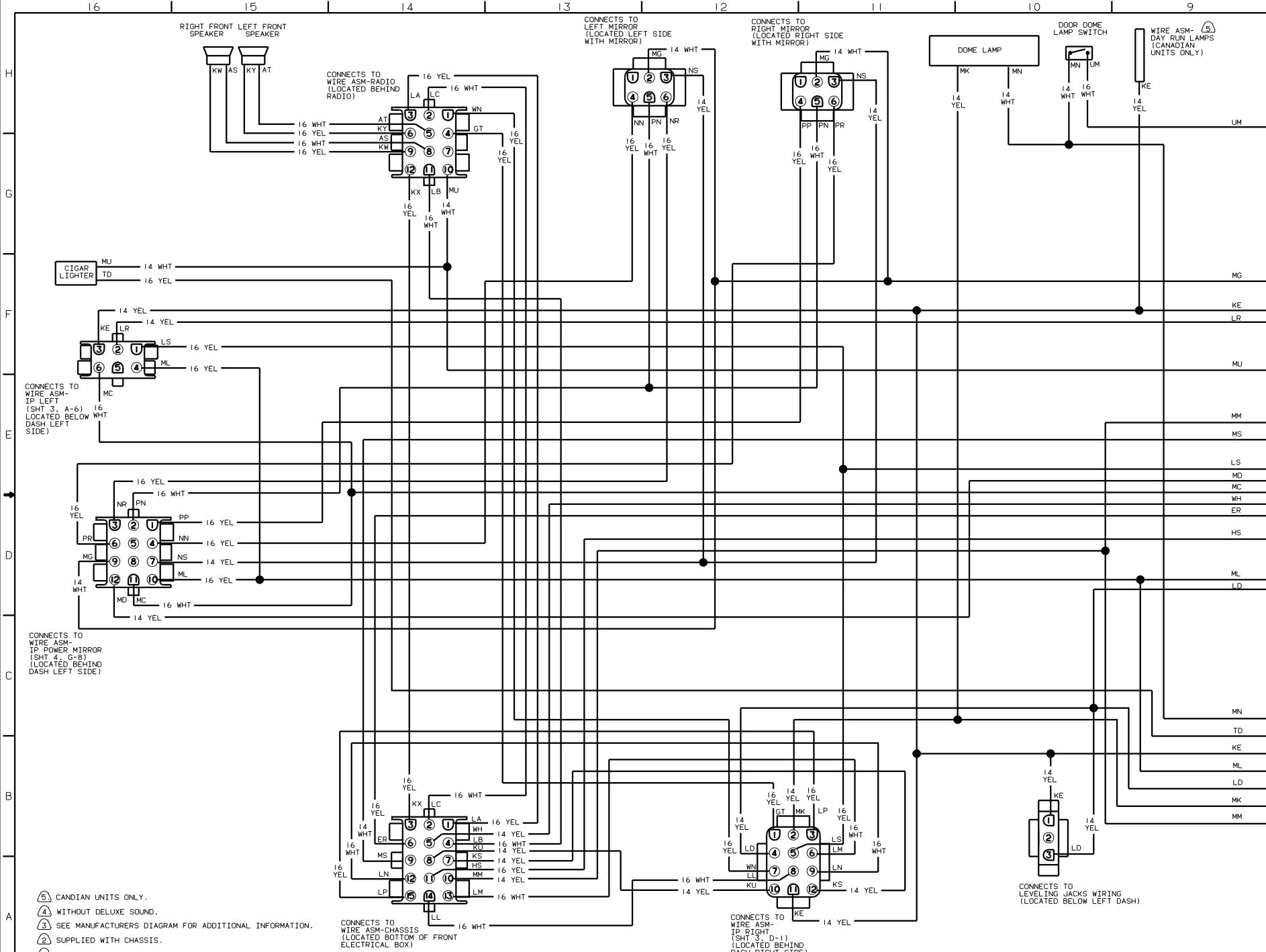
WIRING DIAGRAM-AUTO GM  
 REF: 131000-E



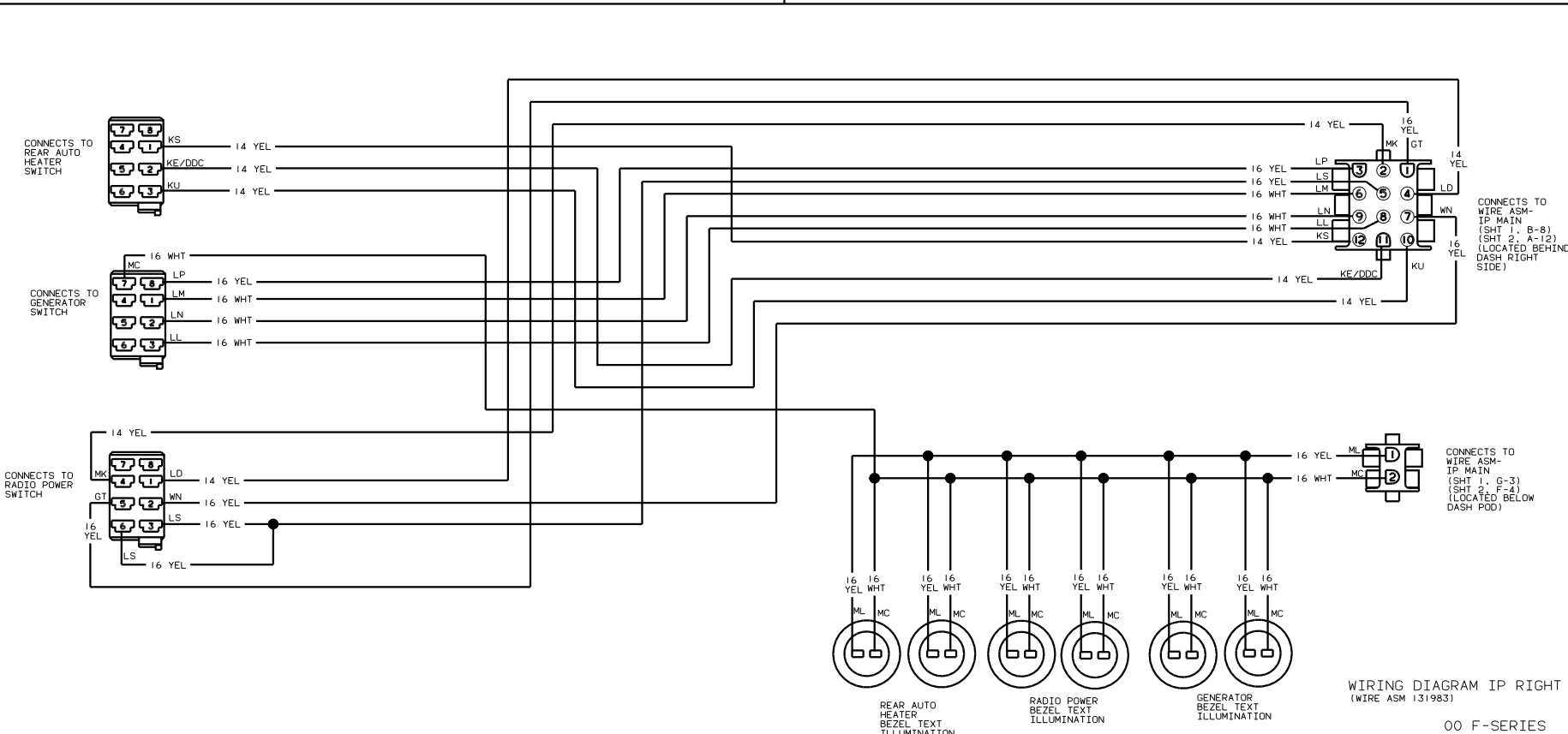
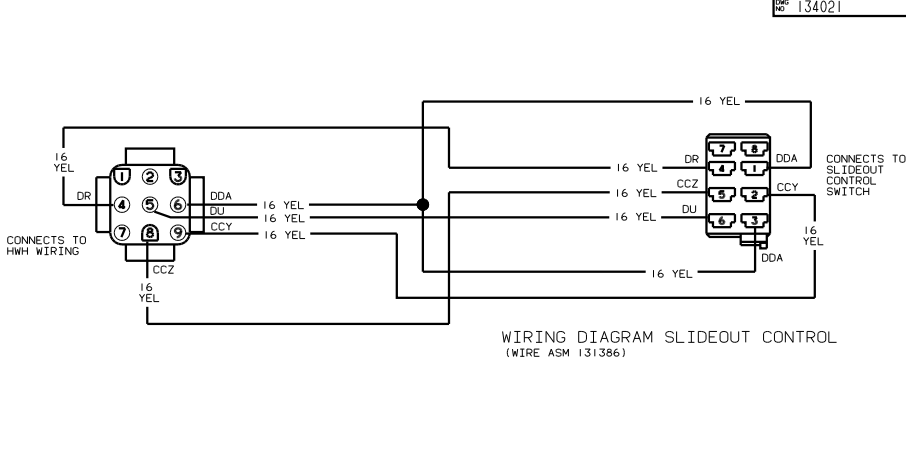
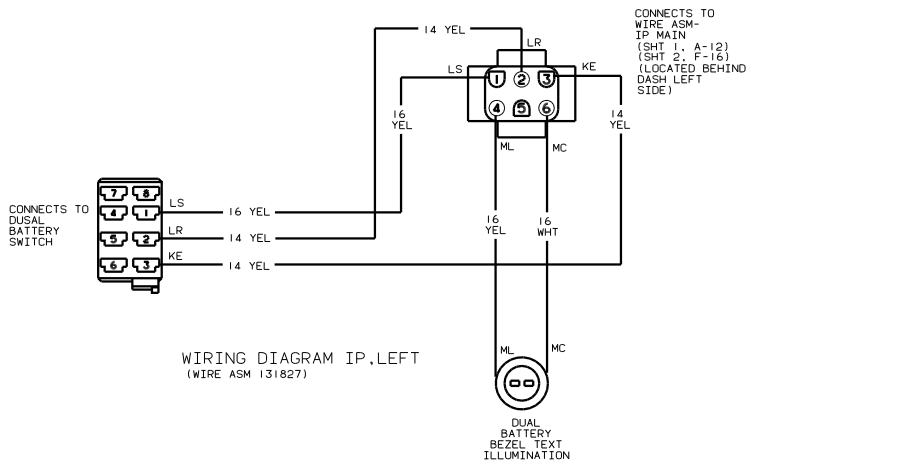


WIRING DIAGRAM-IP,MAIN  
(WIRE ASM 131982)

00 F-SERIES



- NOTES:
- ⑤ CANDIAN UNITS ONLY.
  - ④ WITHOUT DELUXE SOUND.
  - ③ SEE MANUFACTURERS DIAGRAM FOR ADDITIONAL INFORMATION.
  - ② SUPPLIED WITH CHASSIS.
  - ① SEE WIRING DIAGRAM-BODY FOR ADDITIONAL INFORMATION.

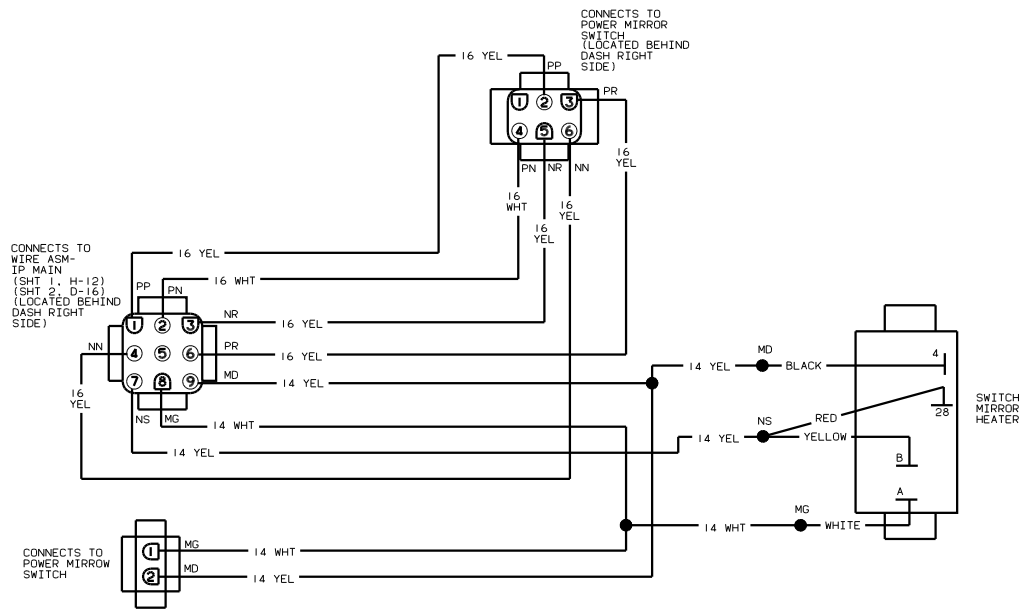


NOTES: SEE SHT 1, 2, AND 3 FOR ADDITIONAL INFORMATION.

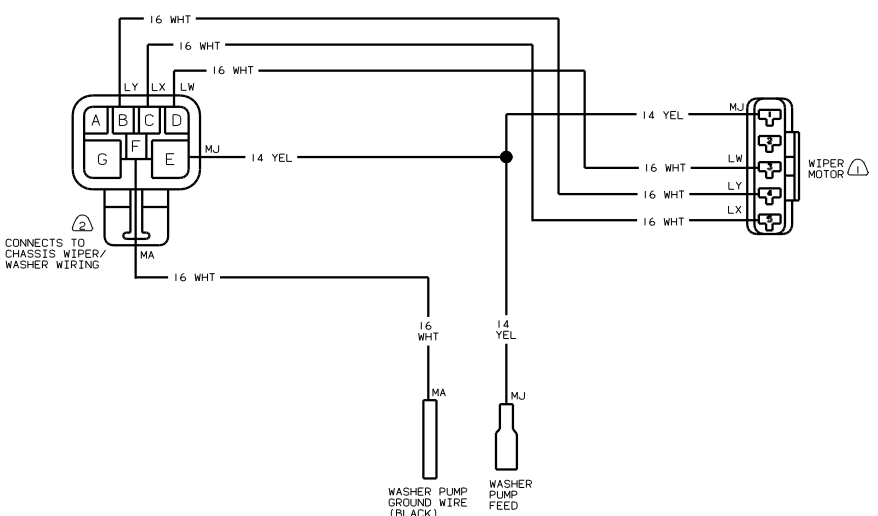
WIRING DIAGRAM- AUTO

TITLE		134021	
NO. OF SHEETS	TOTAL SHEETS	REV.	DATE
3	4	1	

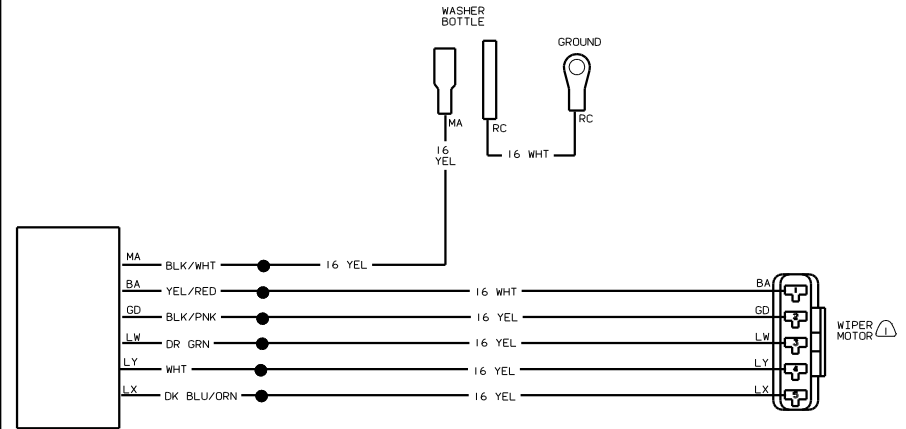
00 F-SERIES



WIRING DIAGRAM IP POWER MIRROR  
(WIRE ASM 129436-03)



WIRING DIAGRAM WIPER/WASHER  
(WIRE ASM 113134)



WIRING DIAGRAM WIPER/WASHER  
(WIRE ASM 111096)

② SEE WIRING DIAGRAM-BODY FOR ADDITIONAL INFORMATION.  
 ⚠ SEE MANUFACTURER'S DIAGRAM FOR ADDITIONAL INFORMATION.