



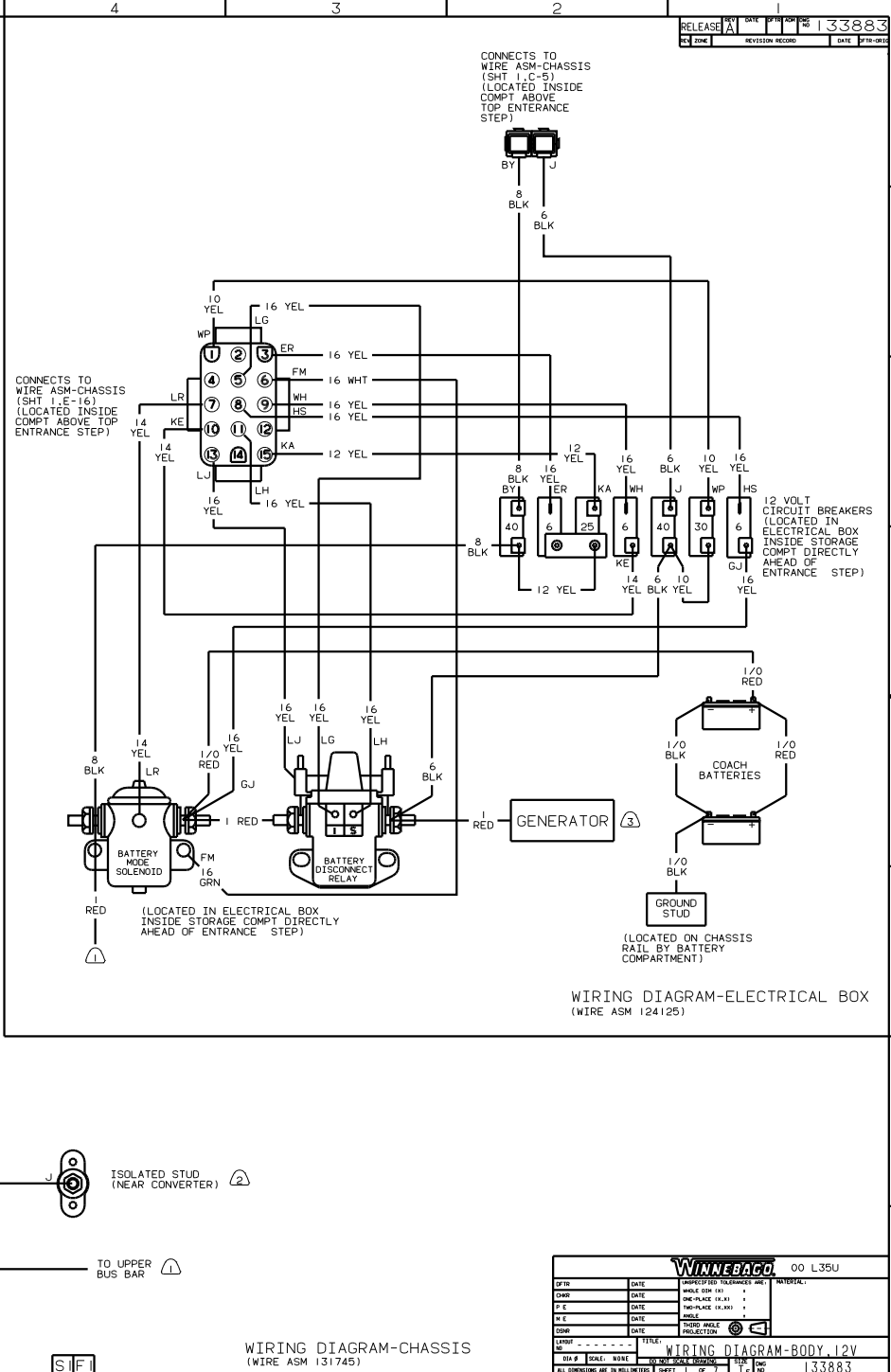
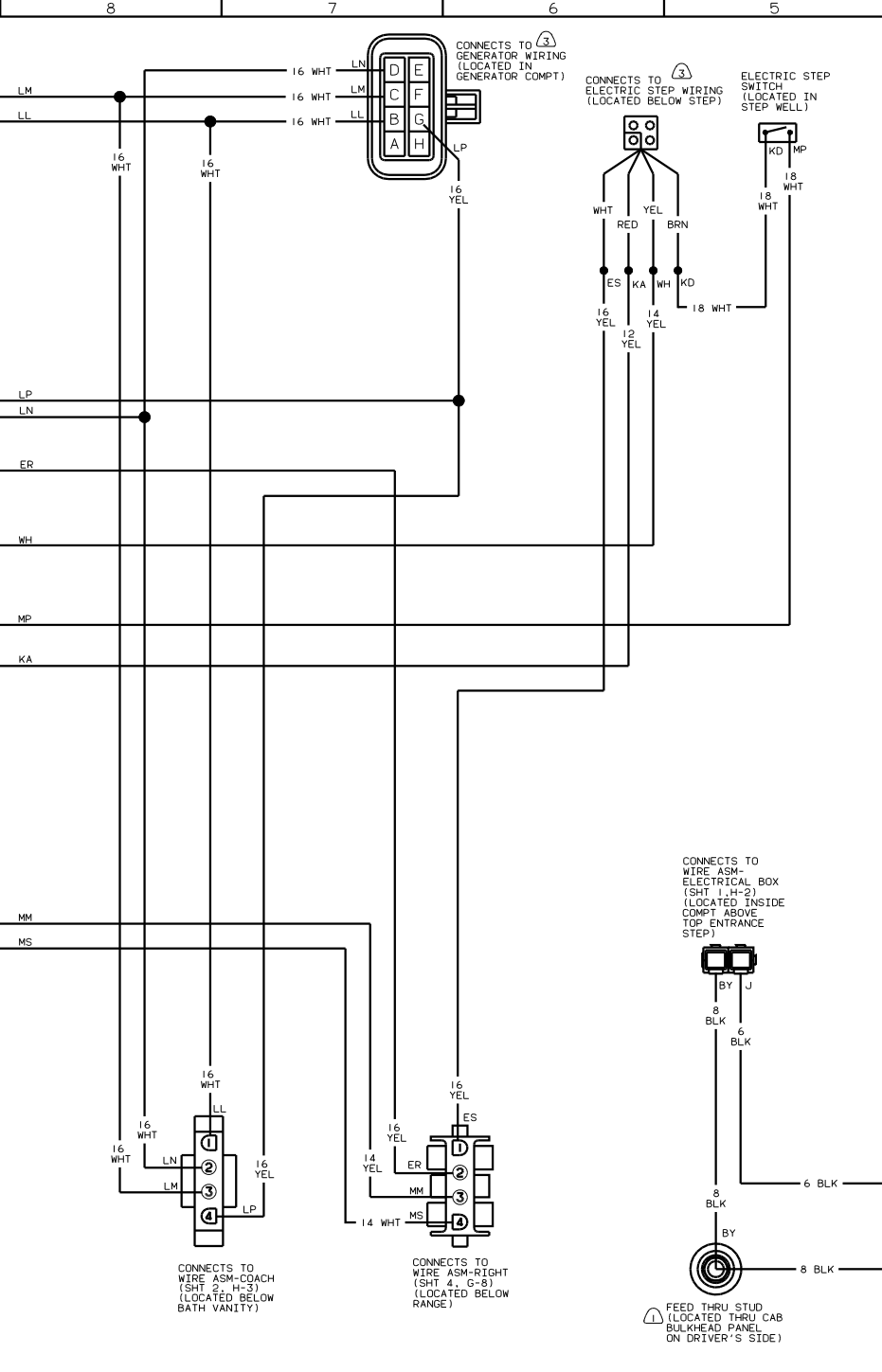
DANGER

Danger of electrical shock, burns or death. Always remove all power sources before attempting any repair, service or diagnostic work. Power can be present from shore power, generator, inverter or battery. All power sources must be disabled and secured before performing any service.



CAUTION

If you lack the skills, tools or equipment to perform diagnostic or repair work leave such work to an authorized Winnebago Industries dealer or other qualified shop.



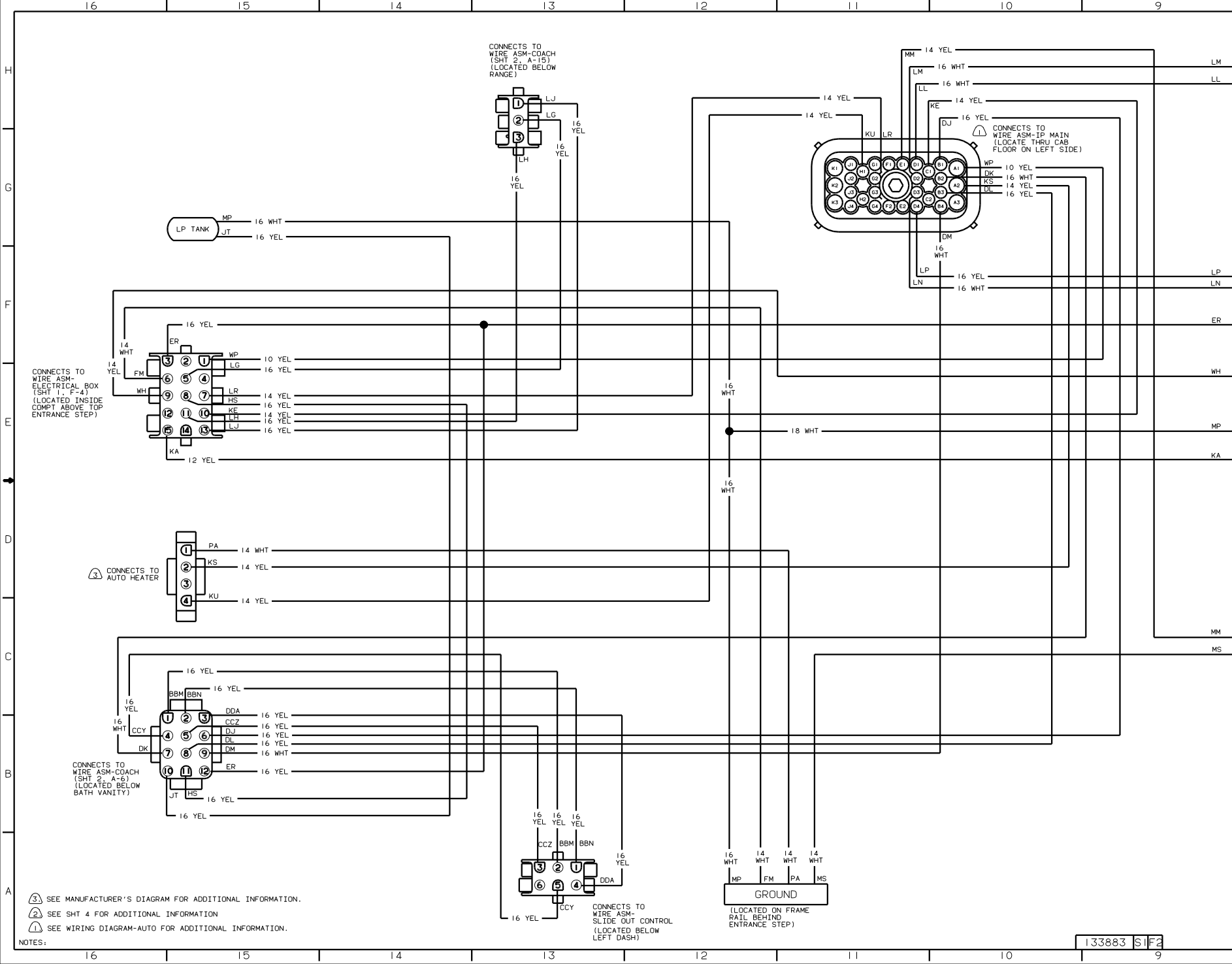
DPTD		DATE	PROCESSED TO	00 L35U
CMW	DATE	MADE FOR (1)	MATERIAL	
P.E	DATE	NO-PHASE (1,1,1)		
N.E	DATE	MADE		
CMW	DATE	THIRD MADE		
CMW	DATE	INSPECTION		

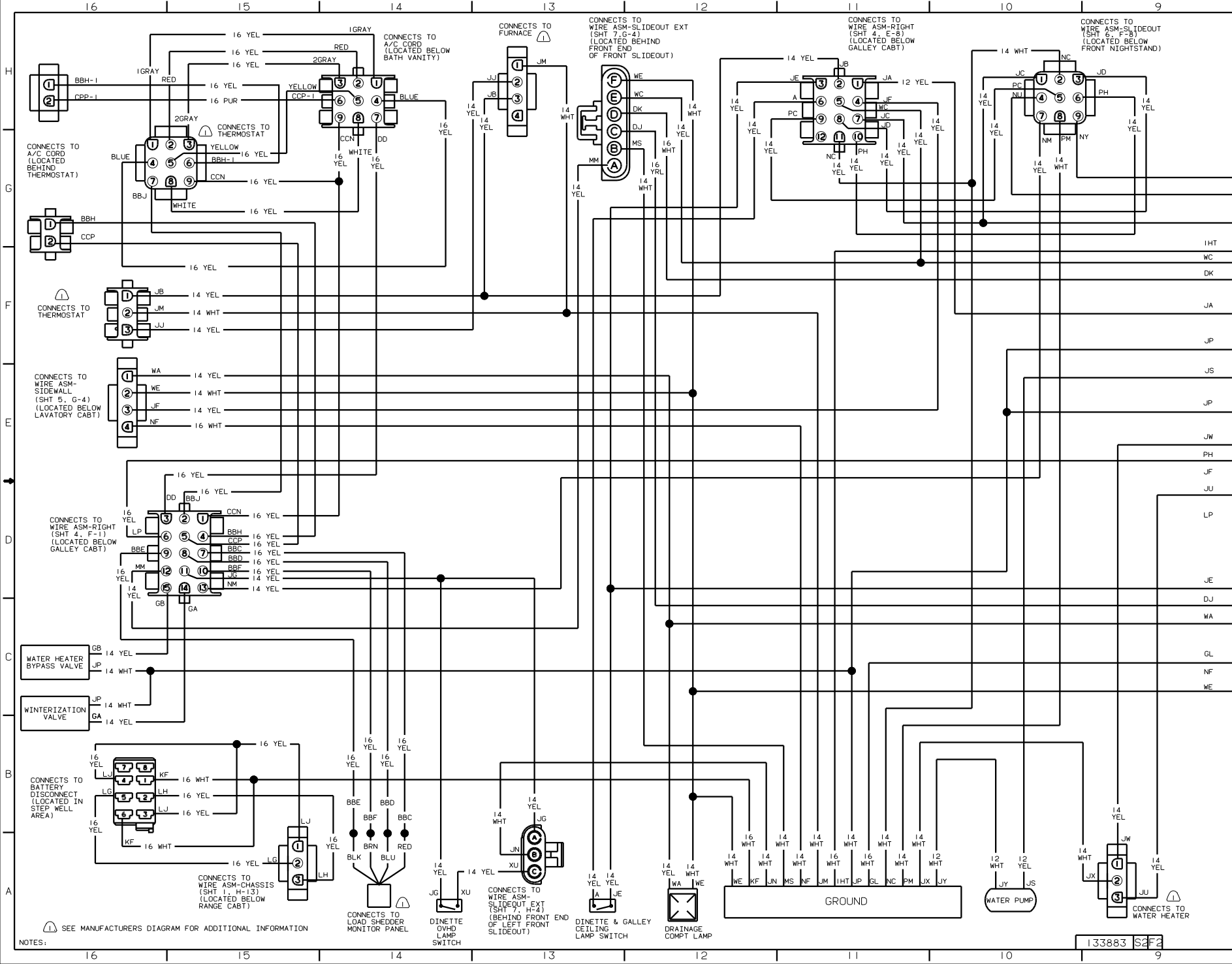
WIRING DIAGRAM-BODY.12V

ALL DIMENSIONS ARE IN MILLIMETERS

SHEET 1 OF 7

133883





CONNECTS TO
A/C CORD
(LOCATED
BEHIND
THERMOSTAT)

CONNECTS TO
THERMOSTAT

CONNECTS TO
THERMOSTAT

CONNECTS TO
WIRE ASM-
SIDEWALL
(SHT 5, G-4)
(LOCATED BELOW
LAVATORY CABT)

CONNECTS TO
WIRE ASM-RIGHT
(SHT 4, F-1)
(LOCATED BELOW
GALLEY CABT)

WATER HEATER
BYPASS VALVE

WINTERIZATION
VALVE

CONNECTS TO
BATTERY
DISCONNECT
(LOCATED IN
STEP WELL
AREA)

CONNECTS TO
WIRE ASM-CHASSIS
(SHT 1, H-13)
(LOCATED BELOW
RANGE CABT)

CONNECTS TO
LOAD SHEDDER
MONITOR PANEL

DINETTE
OVHD
LAMP
SWITCH

CONNECTS TO
WIRE ASM-
SLIDEOUT EXT
(SHT 7, H-4)
(BEHIND FRONT END
OF LEFT FRONT
SLIDEOUT)

DINETTE & GALLEY
CEILING
LAMP SWITCH

DRAINAGE
COMPT LAMP

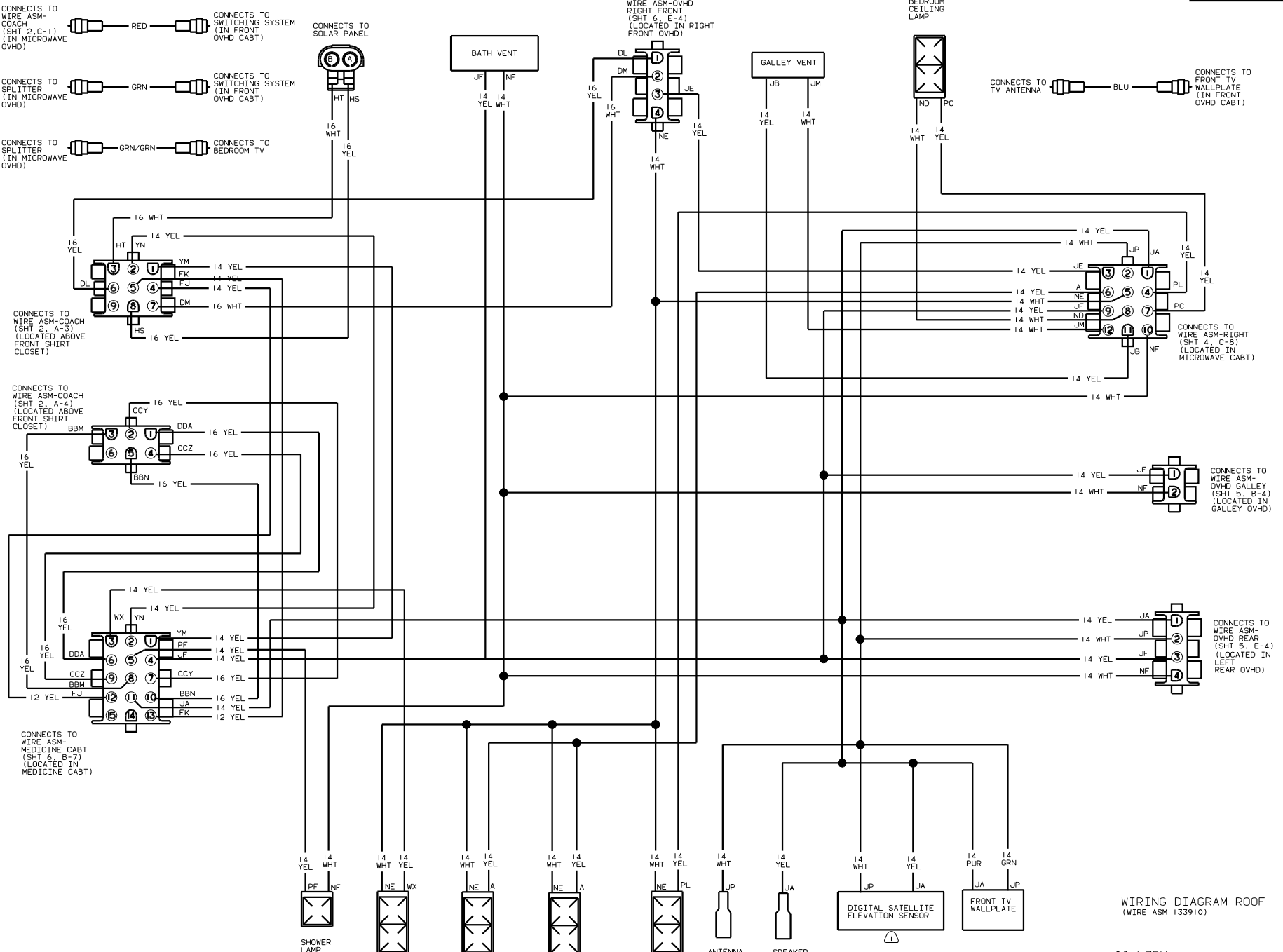
GROUND

WATER PUMP

CONNECTS TO
WATER HEATER

NOTES: SEE MANUFACTURERS DIAGRAM FOR ADDITIONAL INFORMATION

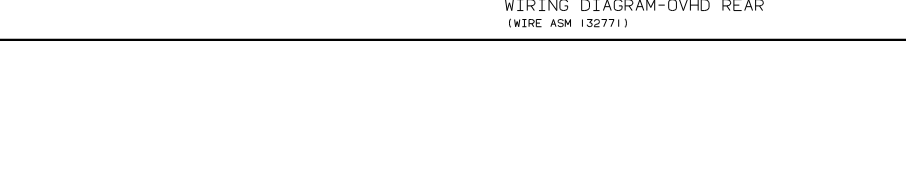
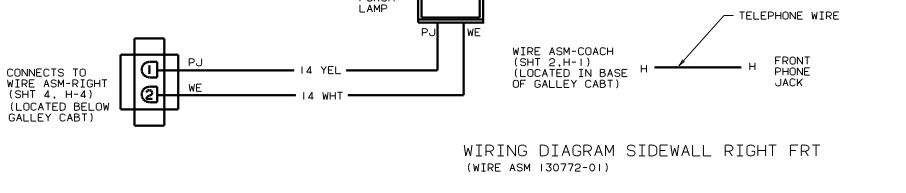
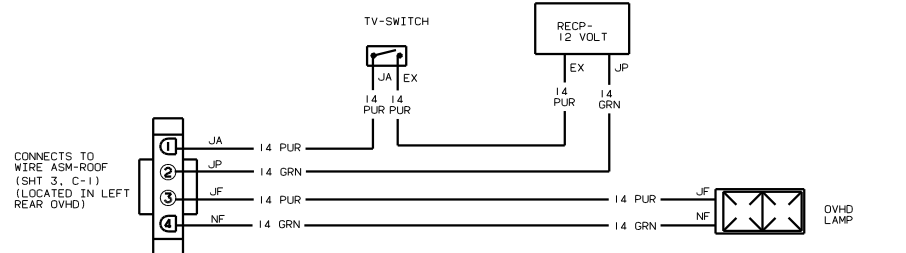
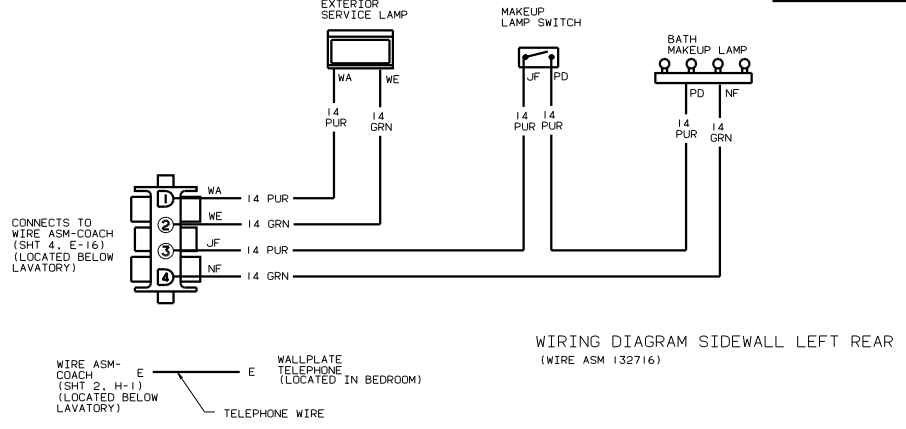
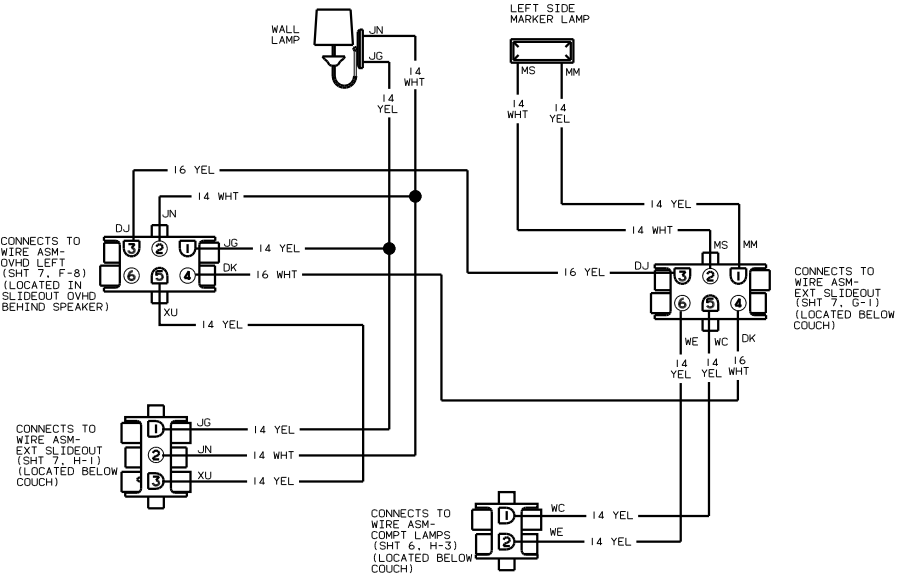
133883 S2F2

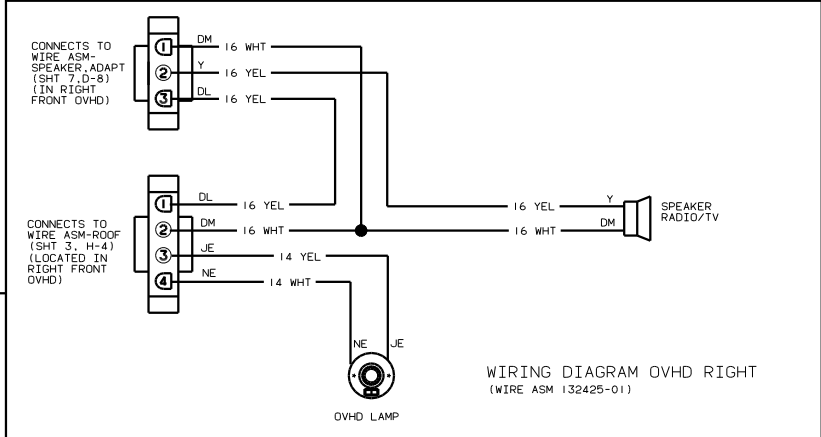
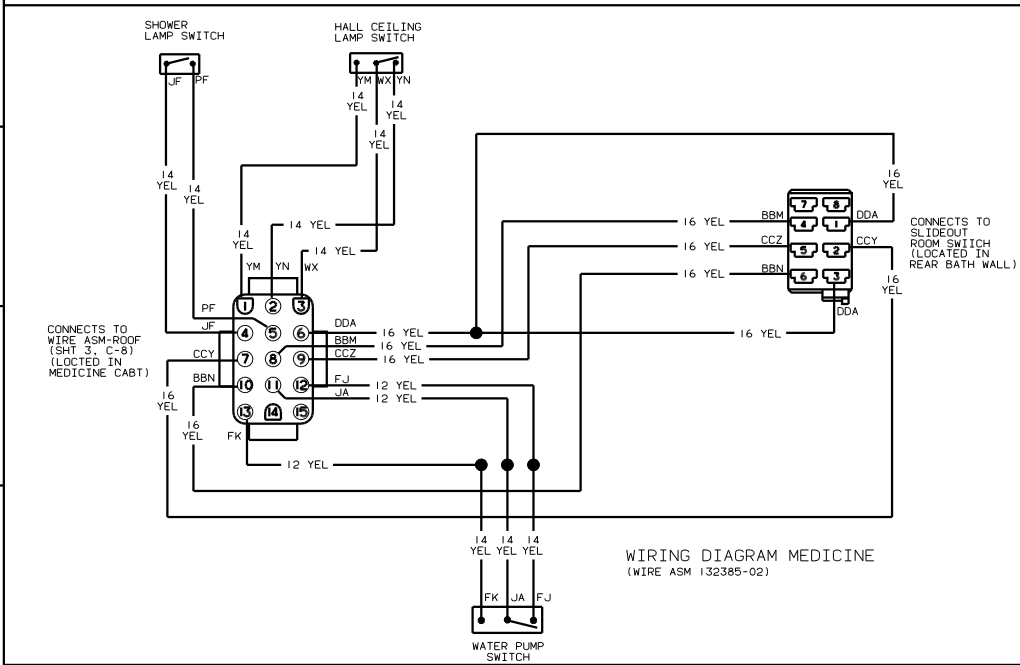
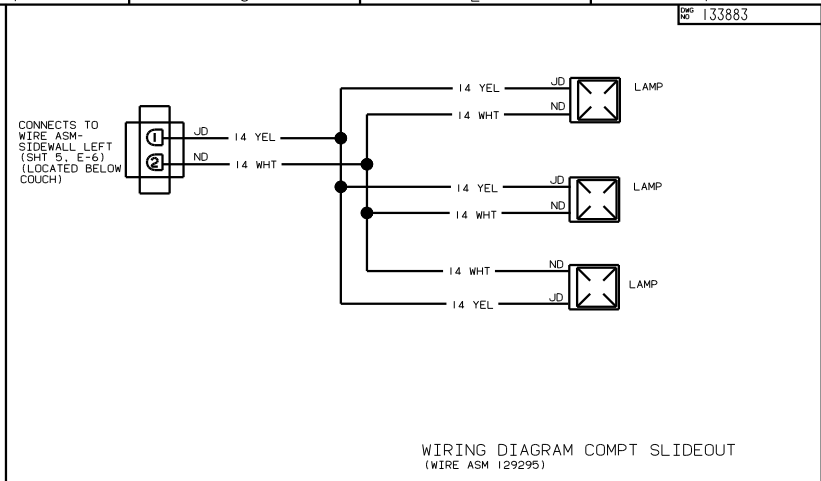
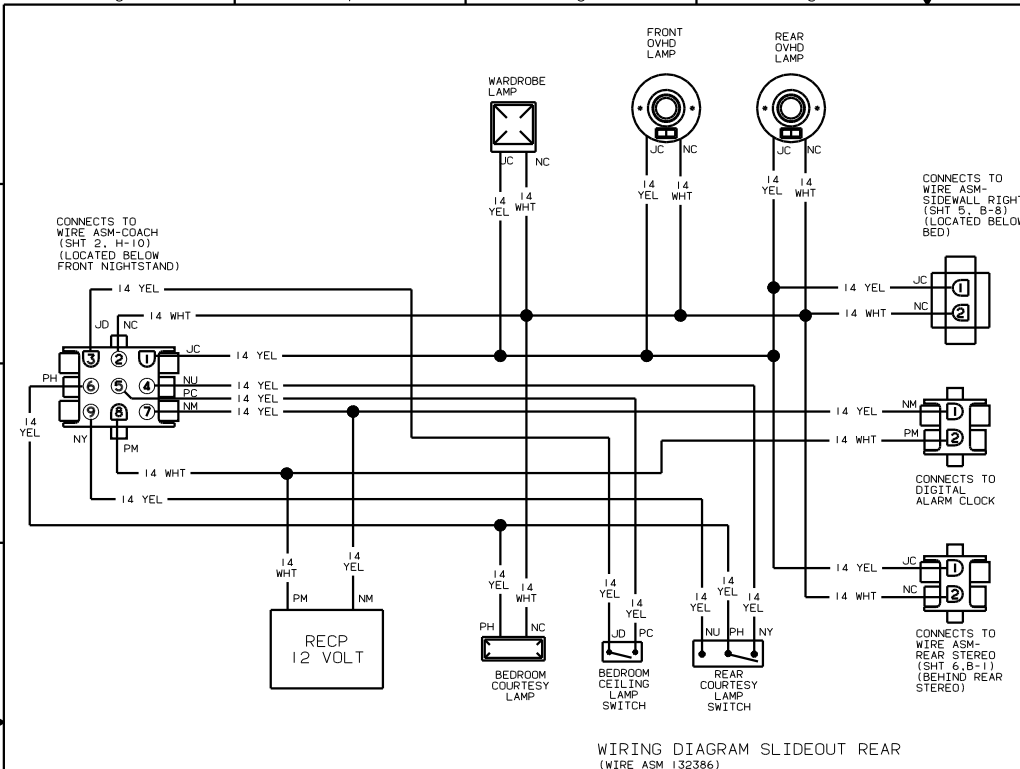


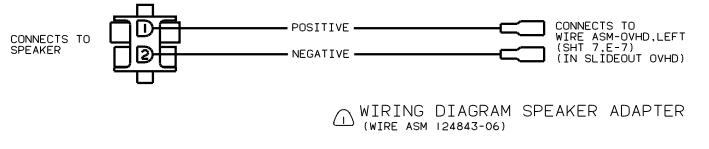
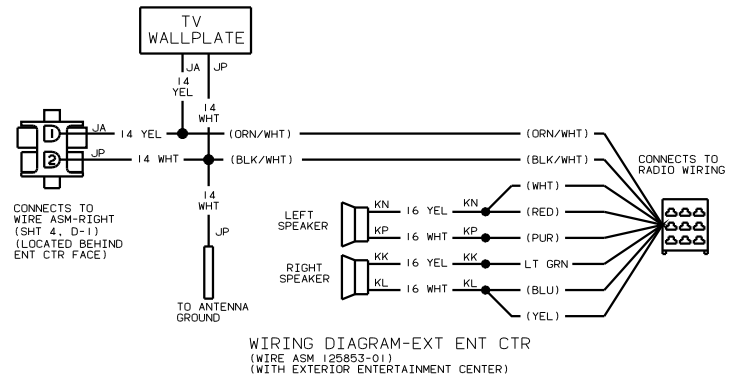
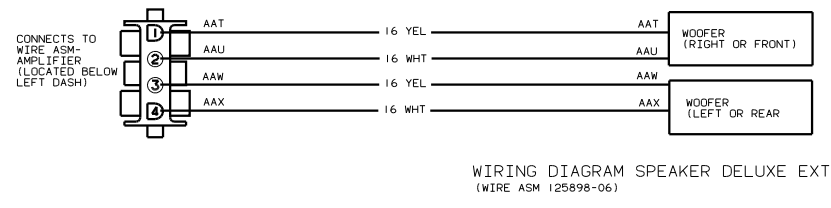
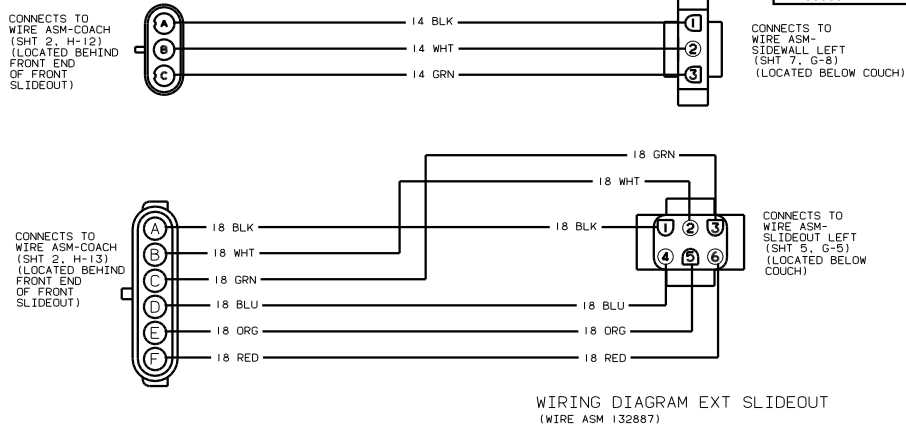
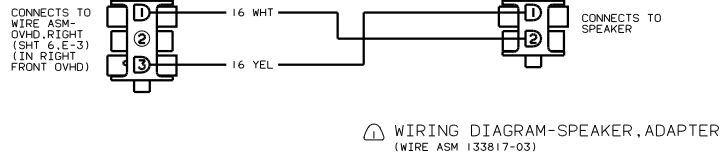
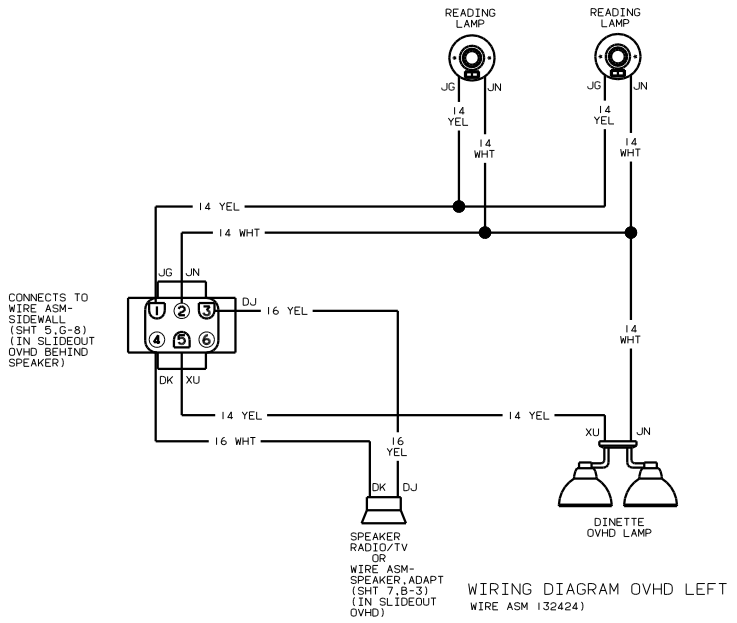
NOTES: SEE MANUFACTURER'S DIAGRAM FOR ADDITIONAL INFORMATION.

WIRING DIAGRAM ROOF (WIRE ASM 133910)

00 L35U







NOTES:
⚠ WITH DELUXE SOUND ONLY.