



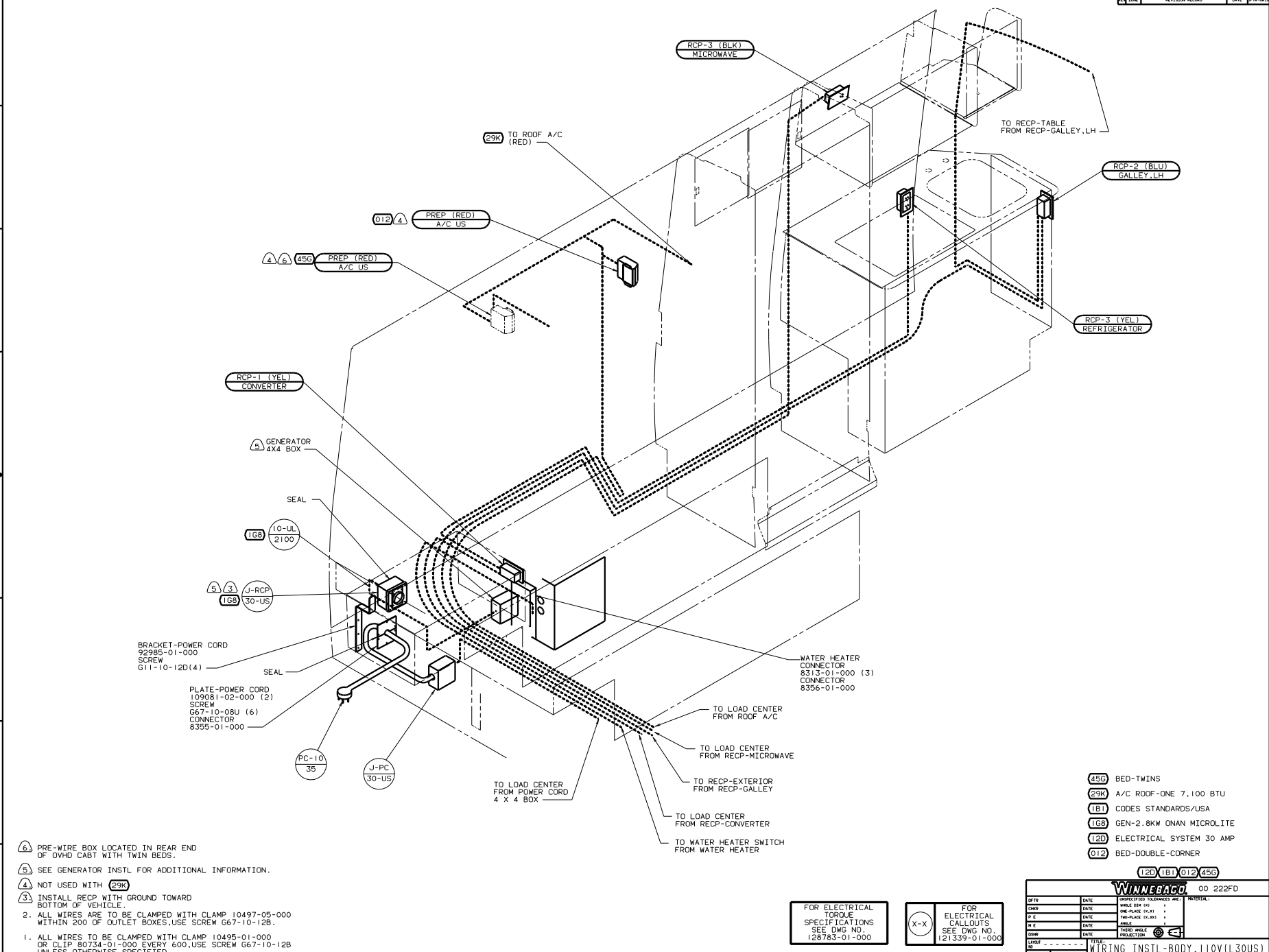
DANGER

Danger of electrical shock, burns or death. Always remove all power sources before attempting any repair, service or diagnostic work. Power can be present from shore power, generator, inverter or battery. All power sources must be disabled and secured before performing any service.



CAUTION

If you lack the skills, tools or equipment to perform diagnostic or repair work leave such work to an authorized Winnebago Industries dealer or other qualified shop.



6. PRE-WIRE BOX LOCATED IN REAR END OF OVHD CABT WITH TWIN BEDS.
 5. SEE GENERATOR INSTL FOR ADDITIONAL INFORMATION.
 4. NOT USED WITH 29K
 3. INSTALL RCP WITH GROUND TOWARD BOTTOM OF VEHICLE.
 2. ALL WIRES ARE TO BE CLAMPED WITH CLAMP 10497-05-000 WITHIN 200 OF OUTLET BOXES, USE SCREW G67-10-12B.
 1. ALL WIRES TO BE CLAMPED WITH CLAMP 10495-01-000 OR CLIP 80734-01-000 EVERY 600, USE SCREW G67-10-12B UNLESS OTHERWISE SPECIFIED.

- 45G BED-TWINS
 29K A/C ROOF-ONE 7,100 BTU
 1B1 CODES STANDARDS/USA
 1G8 GEN-2.8KW ONAN MICROLITE
 12D ELECTRICAL SYSTEM 30 AMP
 012 BED-DOUBLE-CORNER

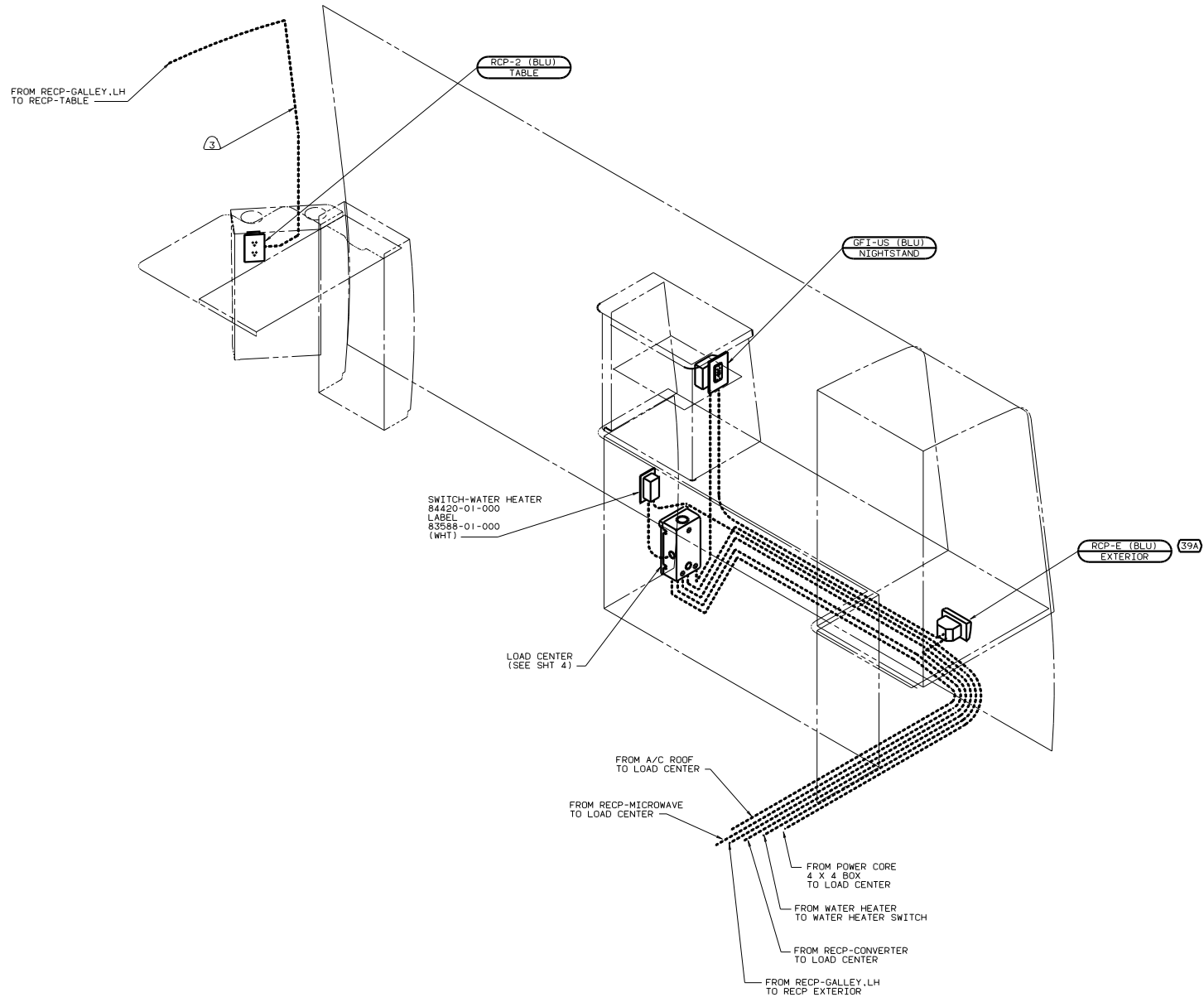
FOR ELECTRICAL TORQUE SPECIFICATIONS SEE DWG NO. 126783-01-000

(X-X) FOR ELECTRICAL CALLOUTS SEE DWG NO. 121339-01-000

WINNEBAGO 00 222FD

| | | | |
|-------|------|-----------------------------|----------|
| OF IN | DATE | UNSPECIFIED TOLERANCES ARE: | MATERIAL |
| OMP | DATE | WHOLE DIM (X) | |
| PIE | DATE | ONE-PLACE (X.X) | |
| D/E | DATE | HOLE-PLACE (X.XX) | |
| CODE | DATE | ANGLE | |
| DATE | DATE | INDIC. W/ANGLE | |
| | | INDICATOR | |

WIRING INSTL - BODY, 110V (130US)
 REF: 130478-L 1 133868



- 3 WIRE ROUTED BEHIND TRANSITION PANEL.
2. ALL WIRES ARE TO BE CLAMPED WITH CLAMP 10497-05-000 WITHIN 200 OF OUTLET BOXES. USE SCREW G67-10-12B.
1. ALL WIRES TO BE CLAMPED WITH CLAMP 10495-01-000 OR CLIP 80734-01-000 EVERY 600. USE SCREW G67-10-12B UNLESS OTHERWISE SPECIFIED.

NOTES:

- 39A EXT RECEPTACLE DPLX 120VAC
- 1B1 CODES STANDARDS/USA
- 12D ELECTRICAL SYSTEM 30 AMP
- 012 BED-DOUBLE-CORNER

FOR ELECTRICAL TORQUE SPECIFICATIONS SEE DWG NO. 128783-01-000

FOR ELECTRICAL CALLOUTS SEE DWG NO. 121339-01-000

00 222FD 1B1 12D 012

| | |
|---------------------------------|---------------|
| WIRING INSTL - BODY 110V(R30US) | |
| DATE | REV |
| BY | CHK |
| DRN | APP |
| SHEET 2 OF 9 | DWG NO 133868 |

FROM RECP-GALLEY TO RECP-TABLE

RCP-2 (BLU) TABLE

3

SWITCH-WATER HEATER
84420-01-000
LABEL
83588-01-000
(WHT)

LOAD CENTER
(SEE SHT 4)

RCP-E (BLU) EXTERIOR 39A

FROM RECP-MICROWAVE TO LOAD CENTER

FROM A/C ROOF TO LOAD CENTER

GFT-US (BLU) NIGHTSTAND

FROM POWER CORD 4 X 4 BOX TO LOAD CENTER

FROM WATER HEATER TO WATER HEATER SWITCH

FROM RECP-CONVERTER TO LOAD CENTER

FROM RECP-GALLEY LH TO RECP-EXTERIOR

3 WIRE ROUTED BEHIND TRANSITION PANEL.

2. ALL WIRES ARE TO BE CLAMPED WITH CLAMP 10497-05-000 WITHIN 200 OF OUTLET BOXES. USE SCREW G67-10-12B.

1. ALL WIRES TO BE CLAMPED WITH CLAMP 10495-01-000 OR CLIP 80734-01-000 EVERY 600. USE SCREW G67-10-12B UNLESS OTHERWISE SPECIFIED.

NOTES:

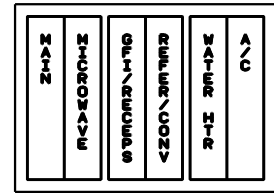
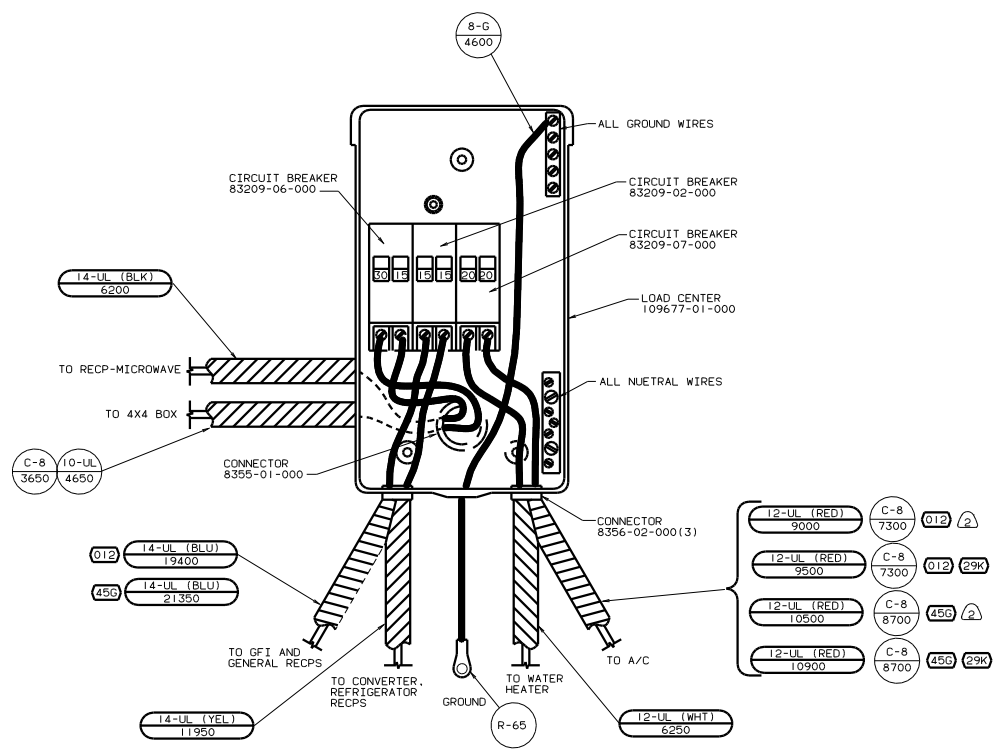
FOR ELECTRICAL TORQUE SPECIFICATIONS SEE DWG NO. 128783-01-000

FOR ELECTRICAL CALLOUTS SEE DWG NO. 121339-01-000

- 45G BED-TWINS
- 39A EXT RECEPTACLE DPLX 120VAC
- 1B1 CODES STANDARDS/USA
- 12D ELECTRICAL SYSTEM 30 AMP

00 222FD 1B1 12D 45G

WIRING INSTL - BODY 110V(R30US)
SHEET 3 OF 9



LABEL 95721-38-000
INSTALL LABEL ON BACK SIDE OF CABINET ACCESS DOOR.

WITHOUT (29K)

1. ALL CABLES SHALL BE COVERED WITH CONDUIT-CONVOLUTE, SLIT 41953-01-000, UNLESS OTHERWISE SPECIFIED, 600 LESS THAN CABLE LENGTH.

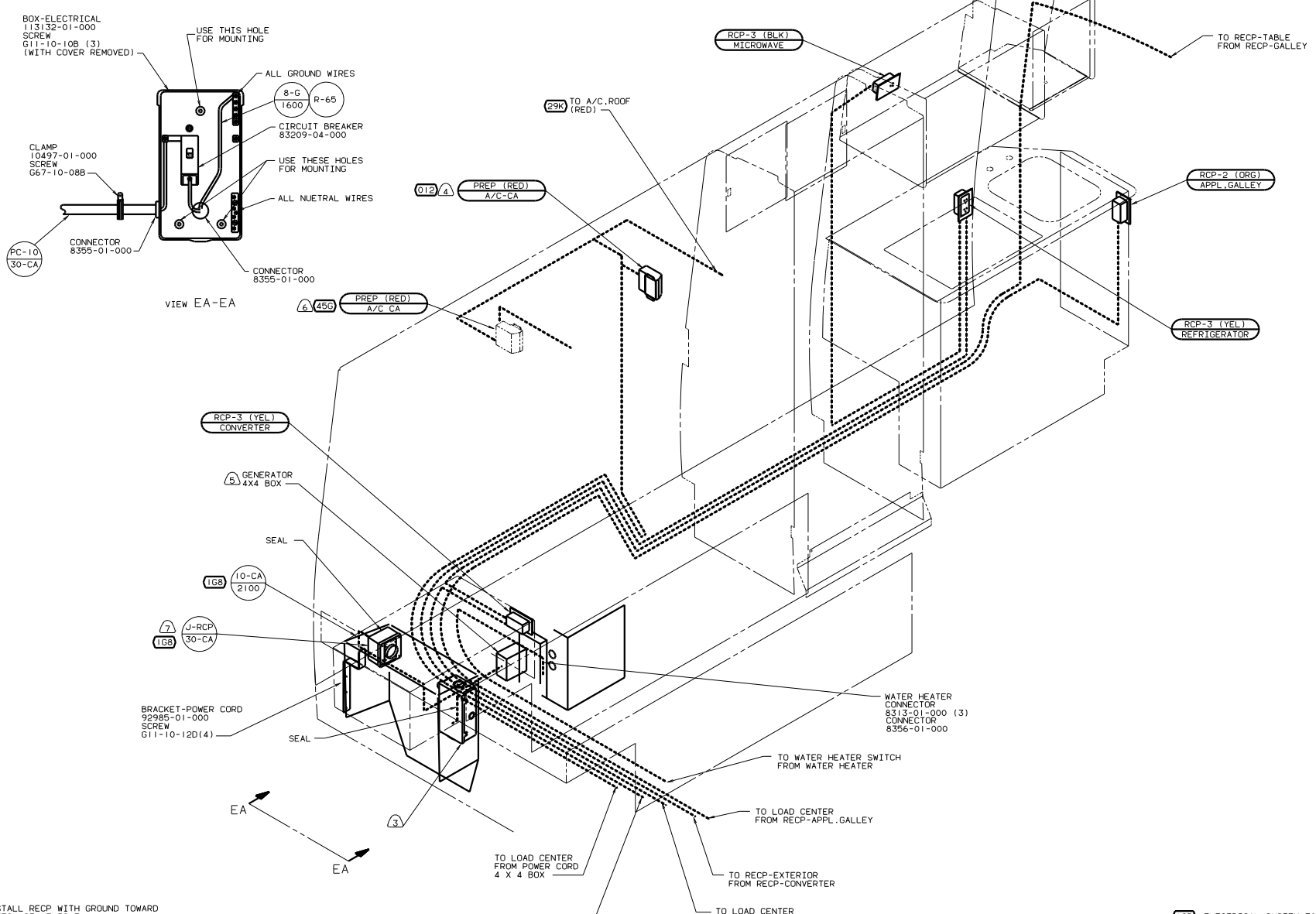
FOR ELECTRICAL TORQUE SPECIFICATIONS SEE DWS NO. 128783-01-000

FOR ELECTRICAL CALLOUTS SEE DWS NO. 121339-01-000

- (45G) BED-TWINS
- (29K) A/C ROOF-ONE 7,100 BTU
- (181) CODES STANDARDS/USA
- (120) ELECTRICAL SYSTEM 30 AMP
- (012) BED-DOUBLE-CORNER

(120) (181) (012) (45G) 00 222FD

WIRING INSTL - BODY (LC30US)
SHEET 4 of 9



BOX-ELECTRICAL
113132-01-000
SCREW
G11-10-108 (3)
(WITH COVER REMOVED)

USE THIS HOLE
FOR MOUNTING

ALL GROUND WIRES

8-G 1600 R-65

CIRCUIT BREAKER
83209-04-000

USE THESE HOLES
FOR MOUNTING

ALL NUETRAL WIRES

CLAMP
10497-01-000
SCREW
G67-10-08B

PC-10
30-CA

CONNECTOR
8355-01-000

CONNECTOR
8355-01-000

VIEW EA-EA

(6) (45G) PREP (RED)
A/C CA

(29K) TO A/C ROOF
(RED)

(012) (4) PREP (RED)
A/C-CA

RCP-3 (BLK)
MICROWAVE

TO RECP-TABLE
FROM RECP-GALLEY

RCP-2 (ORG)
APPL. GALLEY

RCP-3 (YEL)
REFRIGERATOR

RCP-3 (YEL)
CONVERTER

(5) GENERATOR
4X4 BOX

SEAL

(168) 10-CA
2100

(7) J-RCP
30-CA

BRACKET-POWER CORD
92985-01-000
SCREW
G11-10-12D(4)

SEAL

WATER HEATER
CONNECTOR
8313-01-000 (3)
CONNECTOR
8356-01-000

TO WATER HEATER SWITCH
FROM WATER HEATER

TO LOAD CENTER
FROM RECP-APPL. GALLEY

TO RECP-EXTERIOR
FROM RECP-CONVERTER

TO LOAD CENTER
FROM RECP-REFRIGERATOR

TO LOAD CENTER
FROM POWER CORD
4 X 4 BOX

TO LOAD CENTER
FROM A/C ROOF

EA

EA

- (7) INSTALL RECP WITH GROUND TOWARD BOTTOM OF VEHICLE.
 - (6) PRE-WIRE BOX IS LOCATED IN REAR END OF OVHD CABT WITH TWIN BEDS.
 - (5) SEE GENERATOR INSTL FOR ADDITIONAL INFORMATION.
 - (4) NOT USED WITH (29K)
 - (8) LOCATE BOX SO REAR KNOCKOUT ALIGNS WITH HOLE IN COMPT WALL.
2. ALL WIRES ARE TO BE CLAMPED WITH CLAMP 10497-05-000 WITHIN 200' OF OUTLET BOXES. USE SCREW G67-10-12B.

1. ALL WIRES TO BE CLAMPED WITH CLAMP 10495-01-000 OR CLIP 80734-01-000 EVERY 600. USE SCREW G67-10-12B UNLESS OTHERWISE SPECIFIED.

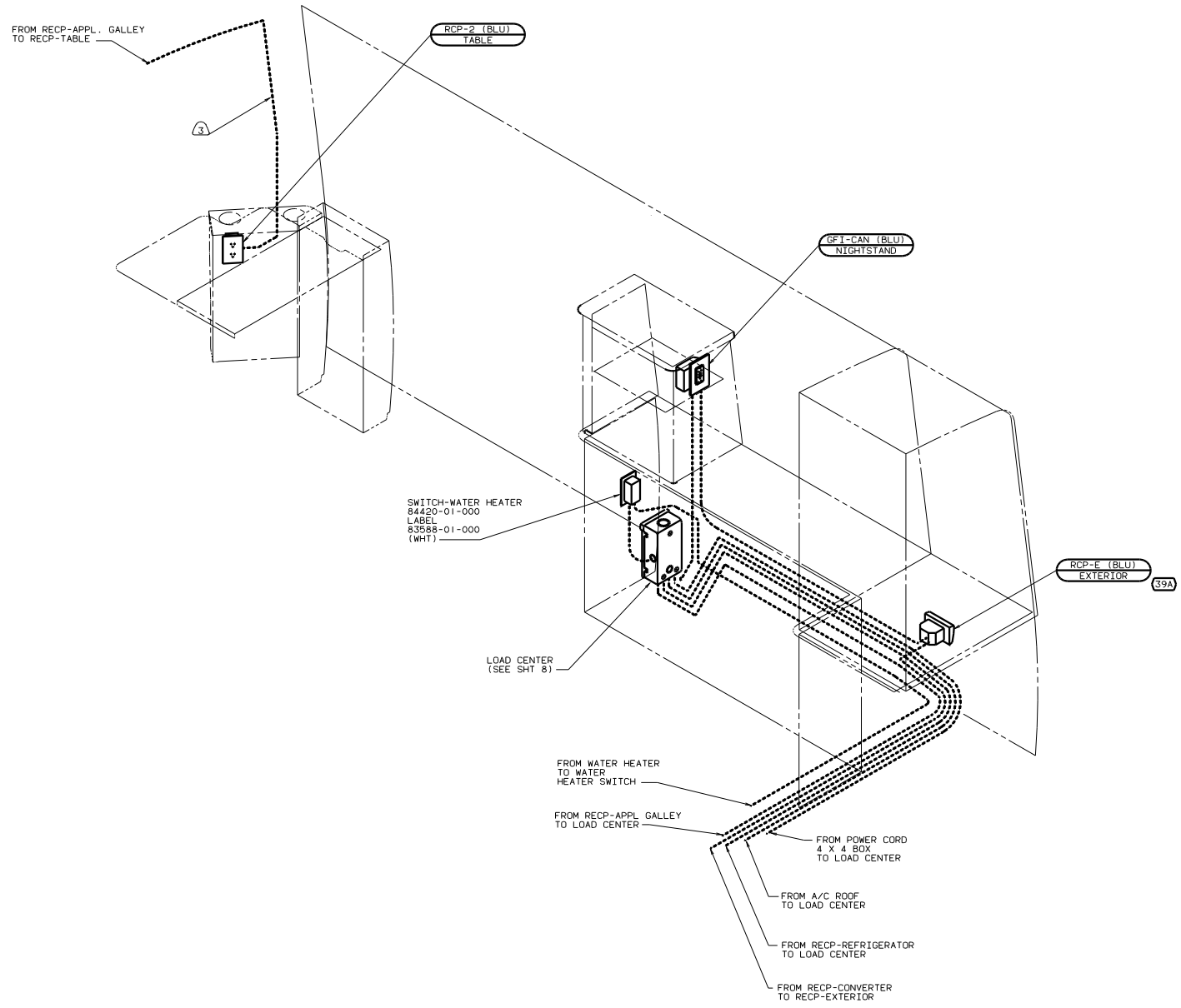
NOTES:

- (120) ELECTRICAL SYSTEM 30 AMP
- (45G) BED-TWINS
- (29K) A/C ROOF-ONE 7,100 BTU
- (265) CODES/STANDARDS-CSA/CMVSS
- (168) GEN-2.8KW ONAN MICROLITE
- (012) BED-DOUBLE-CORNER

FOR ELECTRICAL
TORQUE
SPECIFICATIONS
SEE DWG NO.
128783-01-000

FOR
ELECTRICAL
CALLOUTS
SEE DWG NO.
121339-01-000

(120)(265)(012)(45G) 00 222FD
WIRING INSTL-BODY 110V(130CA)
SHEET 5 OF 9
133868



- 3 WIRE ROUTED IN SIDEWALL.
2. ALL WIRES ARE TO BE CLAMPED WITH CLAMP 10497-05-000 WITHIN 200 OF OUTLET BOXES. USE SCREW G67-10-12B.
1. ALL WIRES TO BE CLAMPED WITH CLAMP 10495-01-000 OR CLIP 80734-01-000 EVERY 600. USE SCREW G67-10-12B UNLESS OTHERWISE SPECIFIED.

NOTES:

- 39A EXT RECEPTACLE DPLX 120VAC
- 265 CODES/STANDARDS-CSA/CMVSS
- 120 ELECTRICAL SYSTEM 30 AMP
- 012 BED-DOUBLE-CORNER

00 222FD 265 120 012

FOR ELECTRICAL TORQUE SPECIFICATIONS SEE DWG NO. 128783-01-000

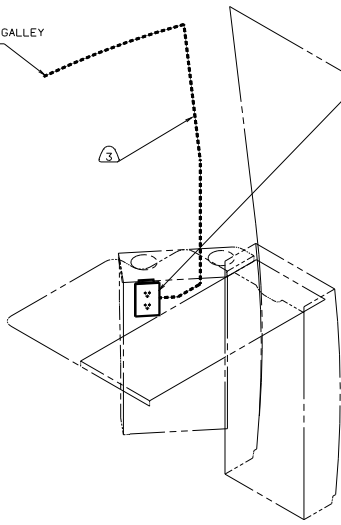
FOR ELECTRICAL CALLOUTS SEE DWG NO. 121339-01-000

| | |
|----------------------------------|--------|
| WIRING INSTL - BODY 110V (R30CA) | |
| DATE | FIG NO |
| BY | 133868 |
| SHEET 6 OF 9 | 1 |

FROM RECP-APPL GALLEY TO RECP-TABLE

RCP-2 (BLU) TABLE

3



SWITCH-WATER HEATER
84420-01-000
LABEL
83588-01-000
(WHIT)

LOAD CENTER
(SEE SHT 8)

FROM WATER HEATER TO WATER HEATER SWITCH

FROM POWER CORD 4 X 4 BOX TO LOAD CENTER

FROM A/C ROOF TO LOAD CENTER

FROM RECP-REFRIGERATOR TO LOAD CENTER

FROM RECP-CONVERTER TO RECP-EXTERIOR

FROM RECP-APPL GALLEY TO LOAD CENTER

RCP-E (BLU) EXTERIOR

39A

GFI-CAN (BLU) NIGHTSTAND

3 WIRE ROUTED IN SIDEWALL.

2. ALL WIRES ARE TO BE CLAMPED WITH CLAMP 10497-05-000 WITHIN 200 OF OUTLET BOXES. USE SCREW G67-10-12B.

1. ALL WIRES TO BE CLAMPED WITH CLAMP 10495-01-000 OR CLIP 80734-01-000 EVERY 600. USE SCREW G67-10-12B UNLESS OTHERWISE SPECIFIED.

NOTES:

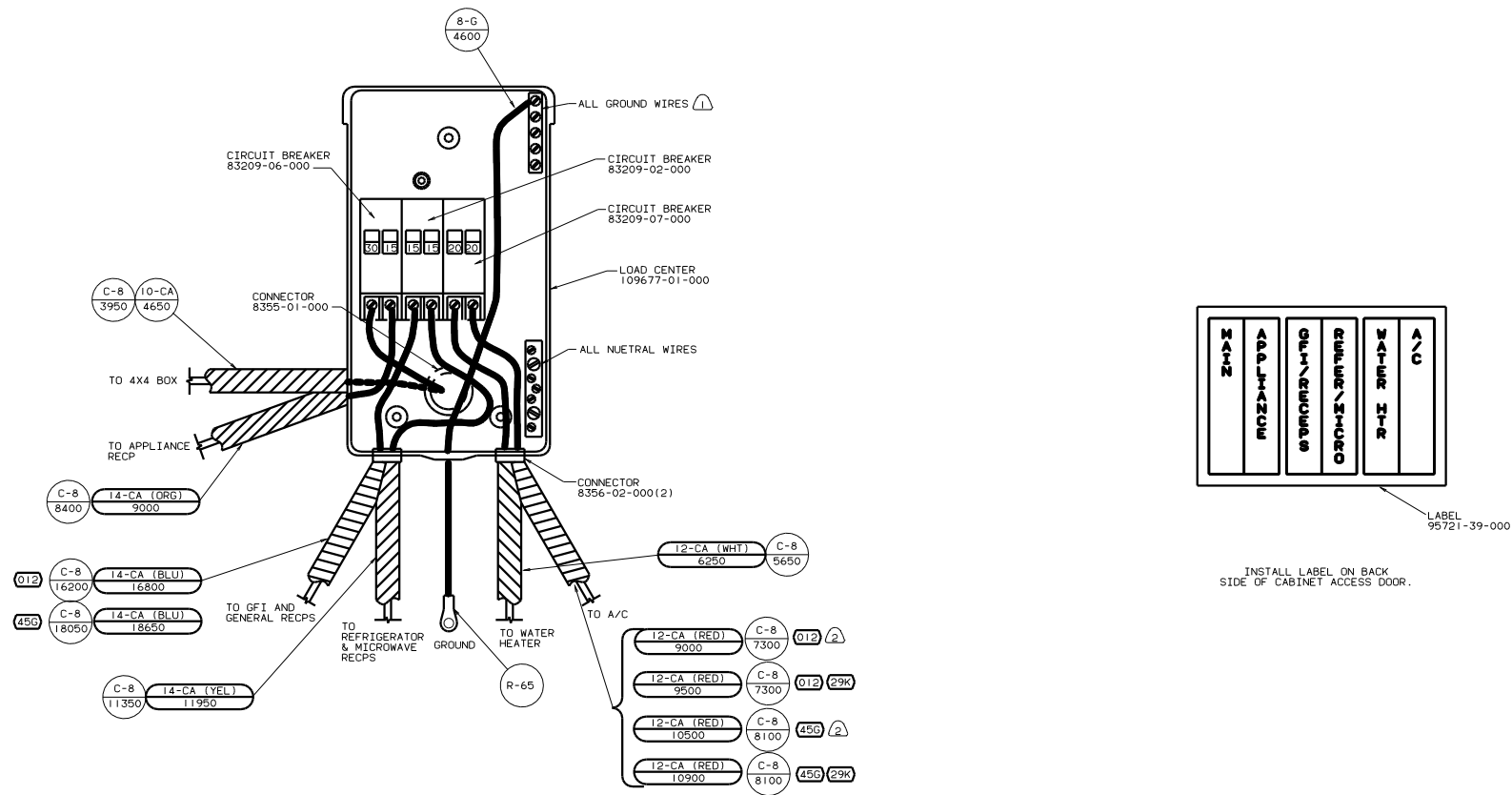
FOR ELECTRICAL TORQUE SPECIFICATIONS SEE DWG NO. 128763-01-000

FOR ELECTRICAL CALLOUTS SEE DWG NO. 121339-01-000

- 45G BED-TWINS
- 39A EXT RECEPTACLE DPLX 120VAC
- 265 CODES/STANDARDS-CSA/CMVSS
- 12D ELECTRICAL SYSTEM 30 AMP

00 222FD 265 12D 45G

WIRING INSTL - BODY 110V(R30CA)
SHEET 7 OF 9



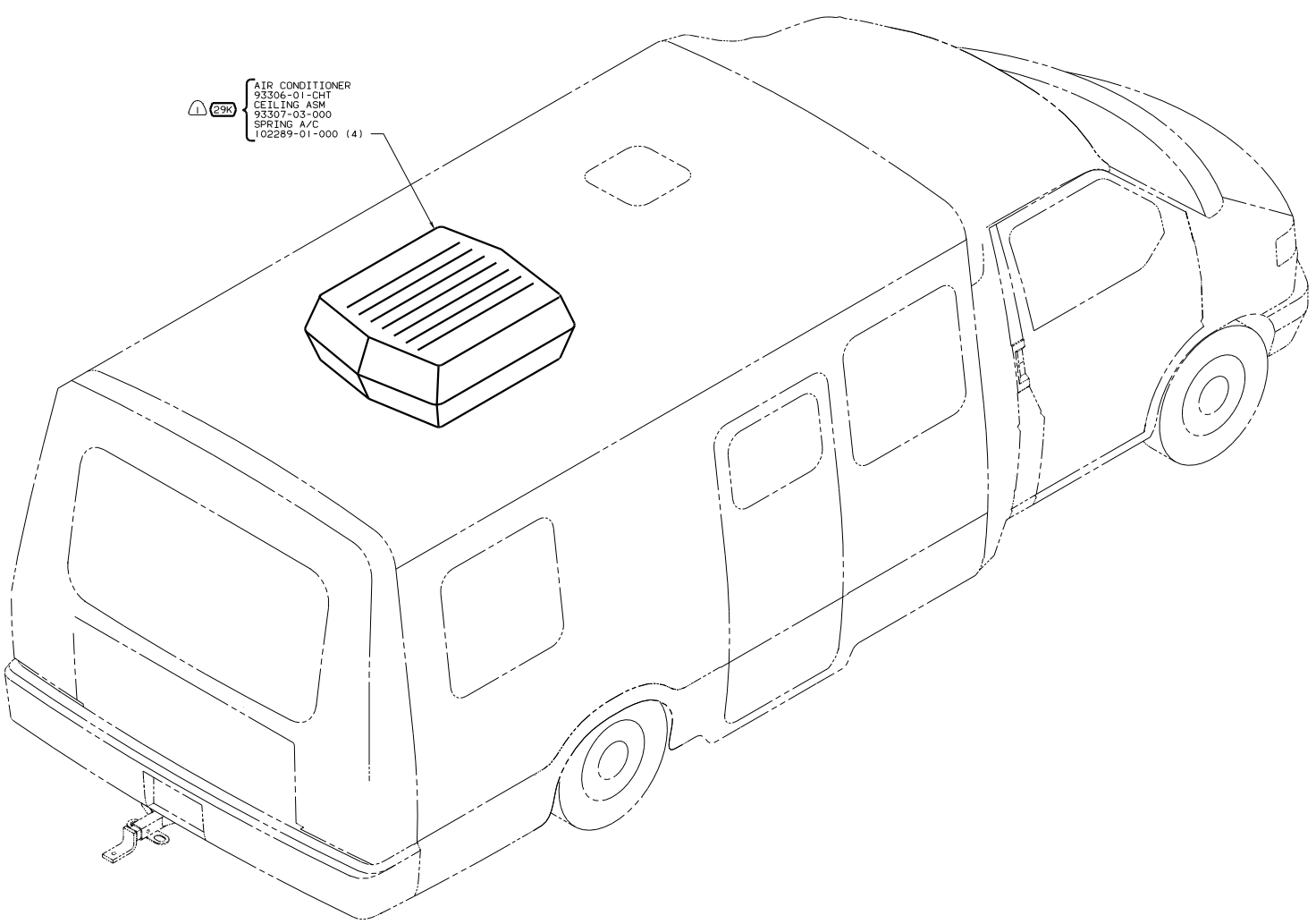
2. WITHOUT 29K
 1. ALL CABLES SHALL BE COVERED WITH CONDUIT-CONVOLUTE. SLIT 41953-01-000, UNLESS OTHERWISE SPECIFIED. 600 LESS THAN CABLE LENGTH.



- 45G BED-TWINS
- 29K A/C ROOF-ONE 7,100 BTU
- 265 CODES/STANDARDS-CSA/CMVSS
- 120 ELECTRICAL SYSTEM 30 AMP
- 012 BED-DOUBLE-CORNER


FOR ELECTRICAL TORQUE SPECIFICATIONS SEE DWG NO. 128763-01-000

FOR ELECTRICAL CALLOUTS SEE DWG NO. 121339-01-000

120 265 012 45G 00 222FD
 WIRING INSTL-BODY(LC30CA)
 SHEET 8 OF 9









 AIR CONDITIONER
 93306-01-CHT
 CEILING ASM
 93307-03-000
 SPRING A/C
 102289-01-000 (4)

 SEE WIRING INSTL-BODY.12V FOR ADDITIONAL INFORMATION.

NOTES:

FOR ELECTRICAL
 TORQUE
 SPECIFICATIONS
 SEE DWG NO.
 128783-01-000


 FOR
 ELECTRICAL
 CALLOUTS
 SEE DWG NO.
 121339-01-000

 A/C ROOF-ONE 7,100 BTU
 CODES/STANDARDS-CSA/CMVSS
 CODES STANDARDS/USA

00 222FD  

| | |
|--------------------------|--------------|
| TITLE: WIRING INSTL-BODY | |
| NO. OF SCALE SHEETS | TOTAL SHEETS |
| 3 OF 3 | 3 OF 3 |
| DWG NO. 133868 | |