



DANGER

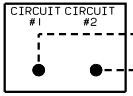
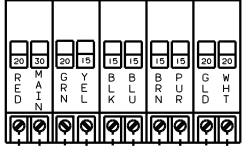
Danger of electrical shock, burns or death. Always remove all power sources before attempting any repair, service or diagnostic work. Power can be present from shore power, generator, inverter or battery. All power sources must be disabled and secured before performing any service.



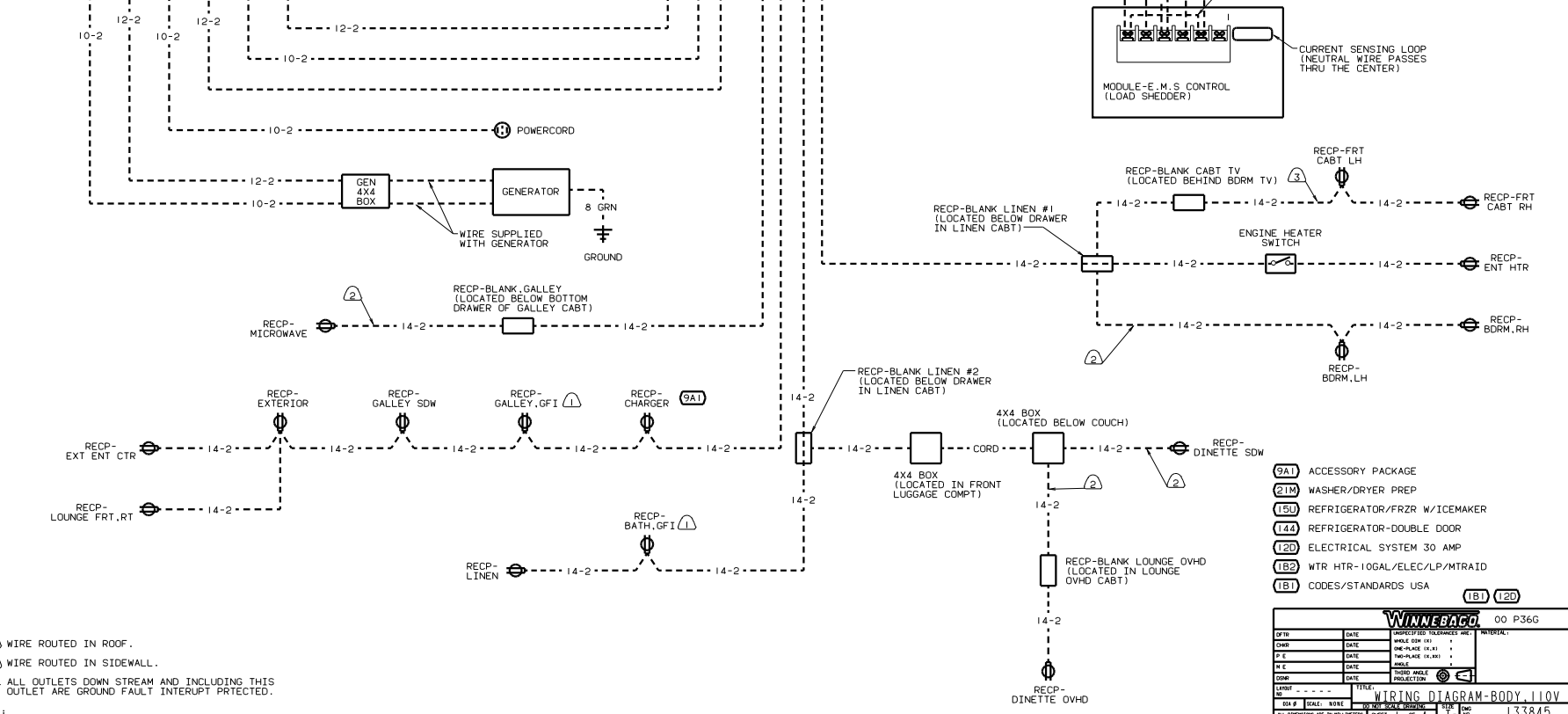
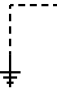
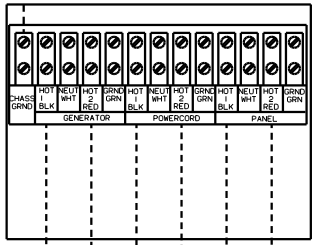
CAUTION

If you lack the skills, tools or equipment to perform diagnostic or repair work leave such work to an authorized Winnebago Industries dealer or other qualified shop.

LOAD CENTER



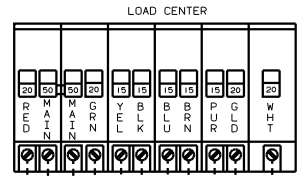
CENTRAL AIR UNIT
 (LOCATED IN RIGHT REAR COMPARTMENT BELOW FLOOR)



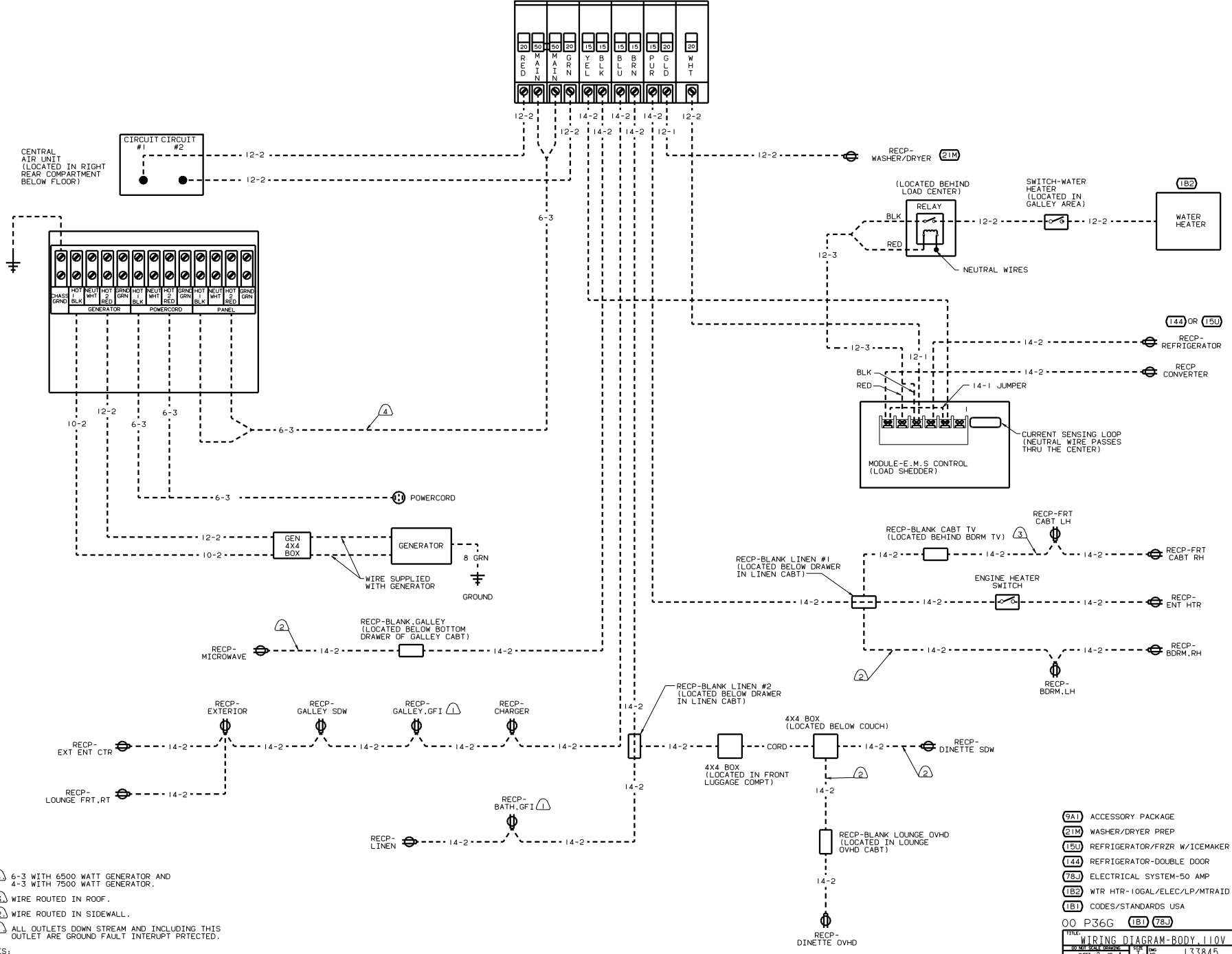
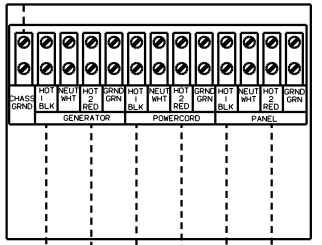
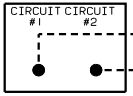
- (9A1) ACCESSORY PACKAGE
- (21M) WASHER/DRYER PREP
- (150) REFRIGERATOR/FRZR W/ICE MAKER
- (144) REFRIGERATOR-DOUBLE DOOR
- (120) ELECTRICAL SYSTEM 30 AMP
- (1B2) WTR HTR-10GAL/ELEC/LP/MTR/RAID
- (1B) CODES/STANDARDS USA
- (1B1) (120)

WINNEBAGO		00 P36G
OF IN	DATE	UNSPECIFIED TOLERANCES ARE MATERIAL
CHP	DATE	WELD DIM 1:1
DFE	DATE	ONE-PLACE 1:1.51
D/E	DATE	ONE-PLACE 1:1.51
DRP	DATE	ANGLE
COMB	DATE	INDUS W/ALL PRODUCTION
LAINT	DATE	
TITLE: WIRING DIAGRAM-BODY 110V		
SHEET 1 OF 4	FIG 1E	133845

NOTES:
 (3) WIRE ROUTED IN ROOF.
 (2) WIRE ROUTED IN SIDEWALL.
 (1) ALL OUTLETS DOWN STREAM AND INCLUDING THIS OUTLET ARE GROUND FAULT INTERRUPT PROTECTED.



CENTRAL AIR UNIT (LOCATED IN RIGHT REAR COMPARTMENT BELOW FLOOR)



- NOTES:
- ④ 6-3 WITH 6500 WATT GENERATOR AND 4-3 WITH 7500 WATT GENERATOR.
 - ③ WIRE ROUTED IN ROOF.
 - ② WIRE ROUTED IN SIDEWALL.
 - ① ALL OUTLETS DOWN STREAM AND INCLUDING THIS OUTLET ARE GROUND FAULT INTERRUPT PROTECTED.

9A1	ACCESSORY PACKAGE
21M	WASHER/DRYER PREP
15U	REFRIGERATOR/FRZR W/ICEMAKER
144	REFRIGERATOR-DOUBLE DOOR
78J	ELECTRICAL SYSTEM-50 AMP
1B2	WTR HTR-10GAL/ELEC/LP/MTRAITD
1B1	CODES/STANDARDS USA

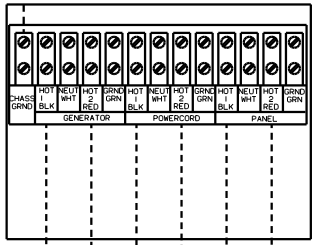
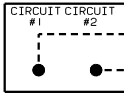
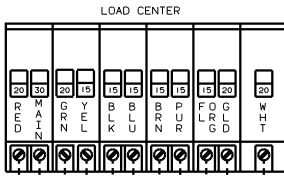
00 P36G 1B1 78J

WIRING DIAGRAM-BODY 110V

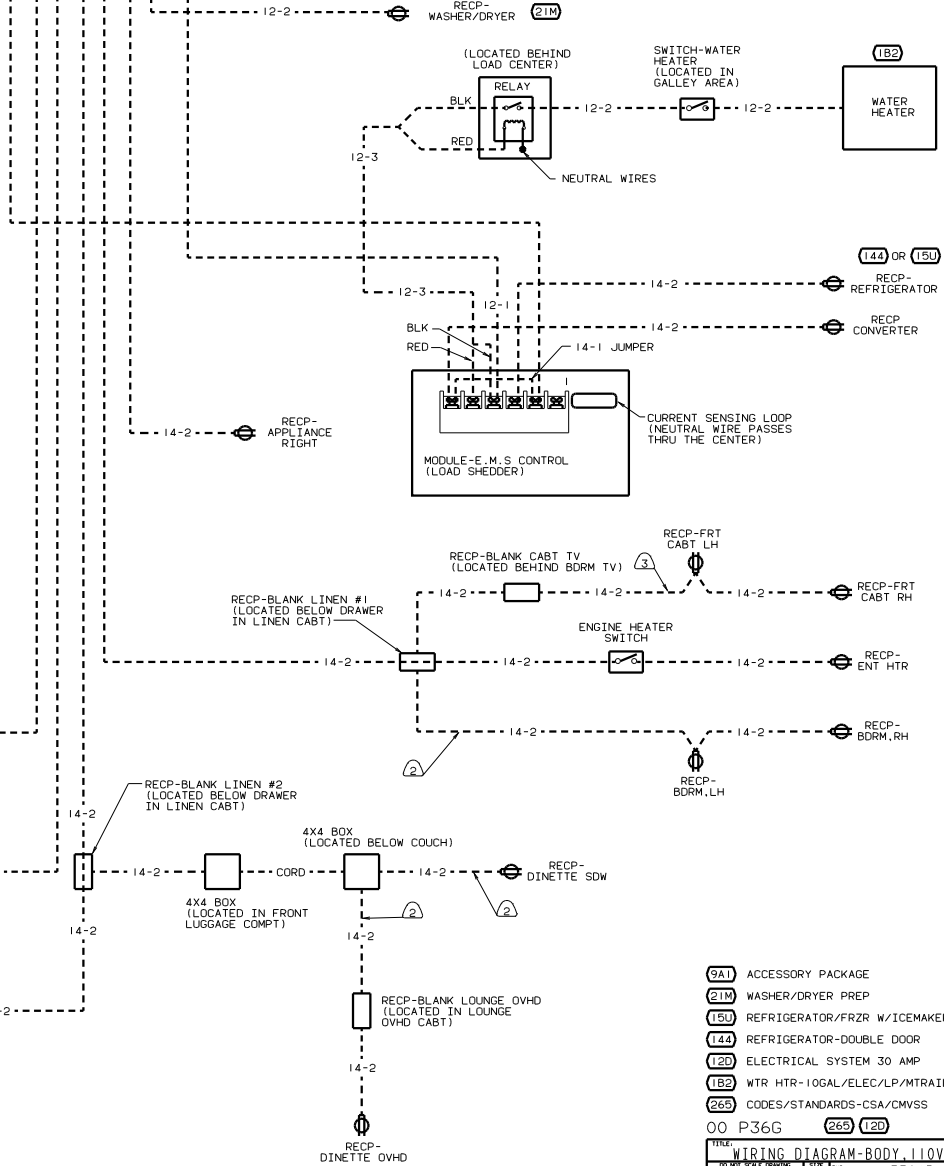
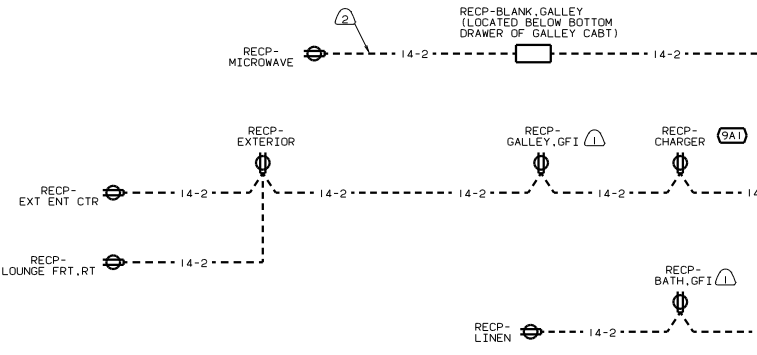
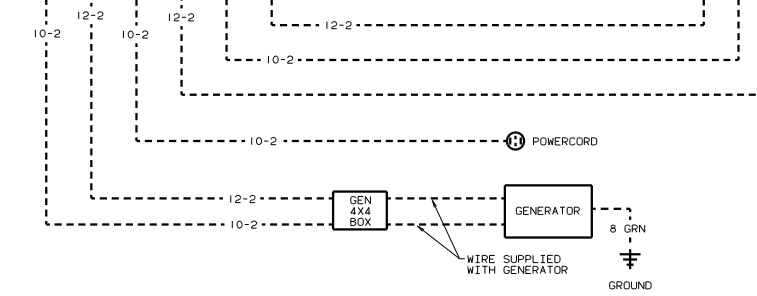
NO. 100 SCALE: 1:1

SHEET 2 OF 4

133845



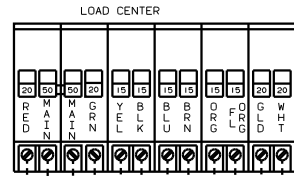
CENTRAL AIR UNIT (LOCATED IN RIGHT REAR COMPARTMENT BELOW FLOOR)



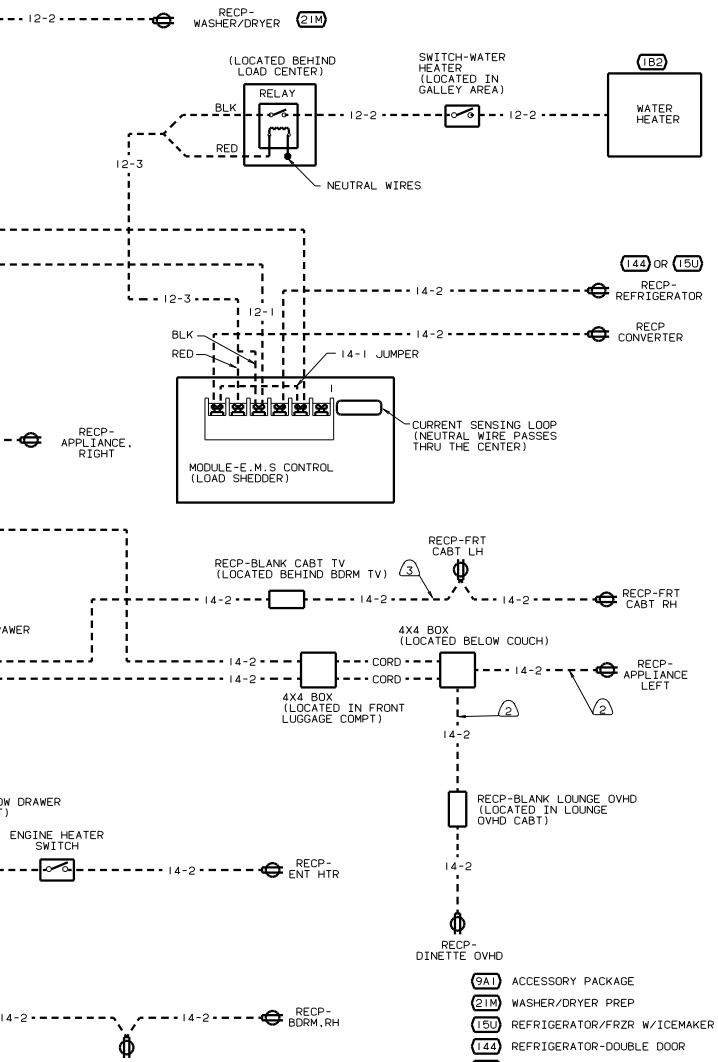
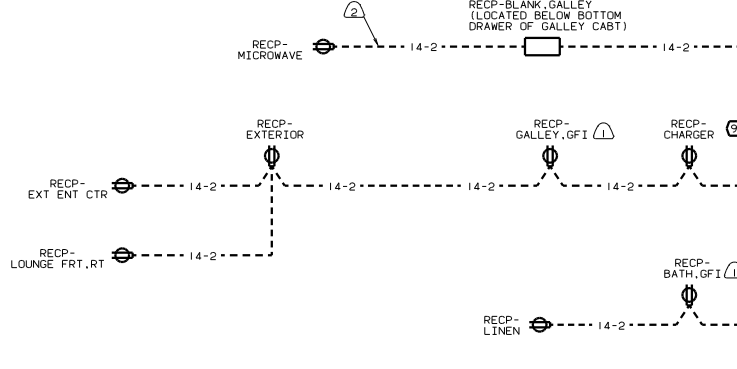
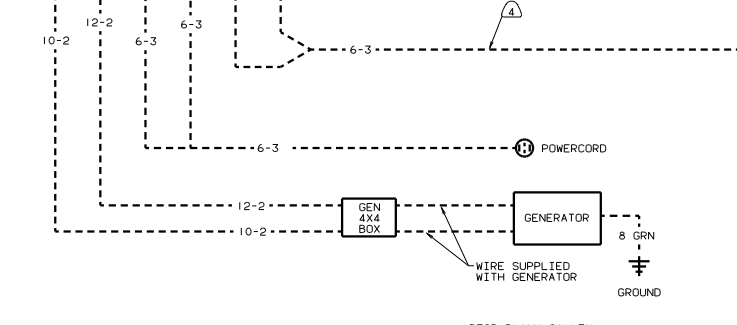
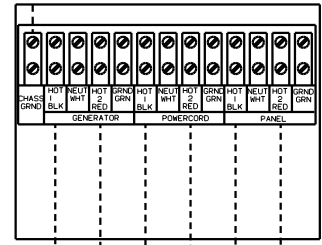
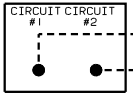
- NOTES:
- ③ WIRE ROUTED IN ROOF.
 - ② WIRE ROUTED IN SIDEWALL.
 - ① ALL OUTLETS DOWN STREAM AND INCLUDING THIS OUTLET ARE GROUND FAULT INTERRUPT PROTECTED.

- ⑨A1 ACCESSORY PACKAGE
- ②1M WASHER/DRYER PREP
- ①5U REFRIGERATOR/FRZR W/ICEMAKER
- ①44 REFRIGERATOR-DOUBLE DOOR
- ①20 ELECTRICAL SYSTEM 30 AMP
- ①B2 WTR HTR-10GAL/ELEC/LP/MTR/RAID
- ②65 CODES/STANDARDS-CSA/CMVSS

00 P36G		②65	①20
WIRING DIAGRAM-BODY 110V			
NO. OF SHEETS	TOTAL SHEETS	REV.	DATE
3	4	1	



CENTRAL AIR UNIT (LOCATED IN RIGHT REAR COMPARTMENT BELOW FLOOR)



- NOTES:
- ④ 6-3 WITH 6500 WATT GENERATOR AND 4-3 WITH 7500 WATT GENERATOR.
 - ③ WIRE ROUTED IN ROOF.
 - ② WIRE ROUTED IN SIDEWALL.
 - ① ALL OUTLETS DOWN STREAM AND INCLUDING THIS OUTLET ARE GROUND FAULT INTERRUPT PROTECTED.

- ⑨A1 ACCESSORY PACKAGE
- ②1M WASHER/DRYER PREP
- ①5U REFRIGERATOR/FRZR W/ICEMAKER
- ①44 REFRIGERATOR-DOUBLE DOOR
- ⑦8J ELECTRICAL SYSTEM-50 AMP
- ①B2 WTR HTR-10GAL/ELEC/LP/MTRAITD
- ②65 CODES/STANDARDS-CSA/CMVSS