



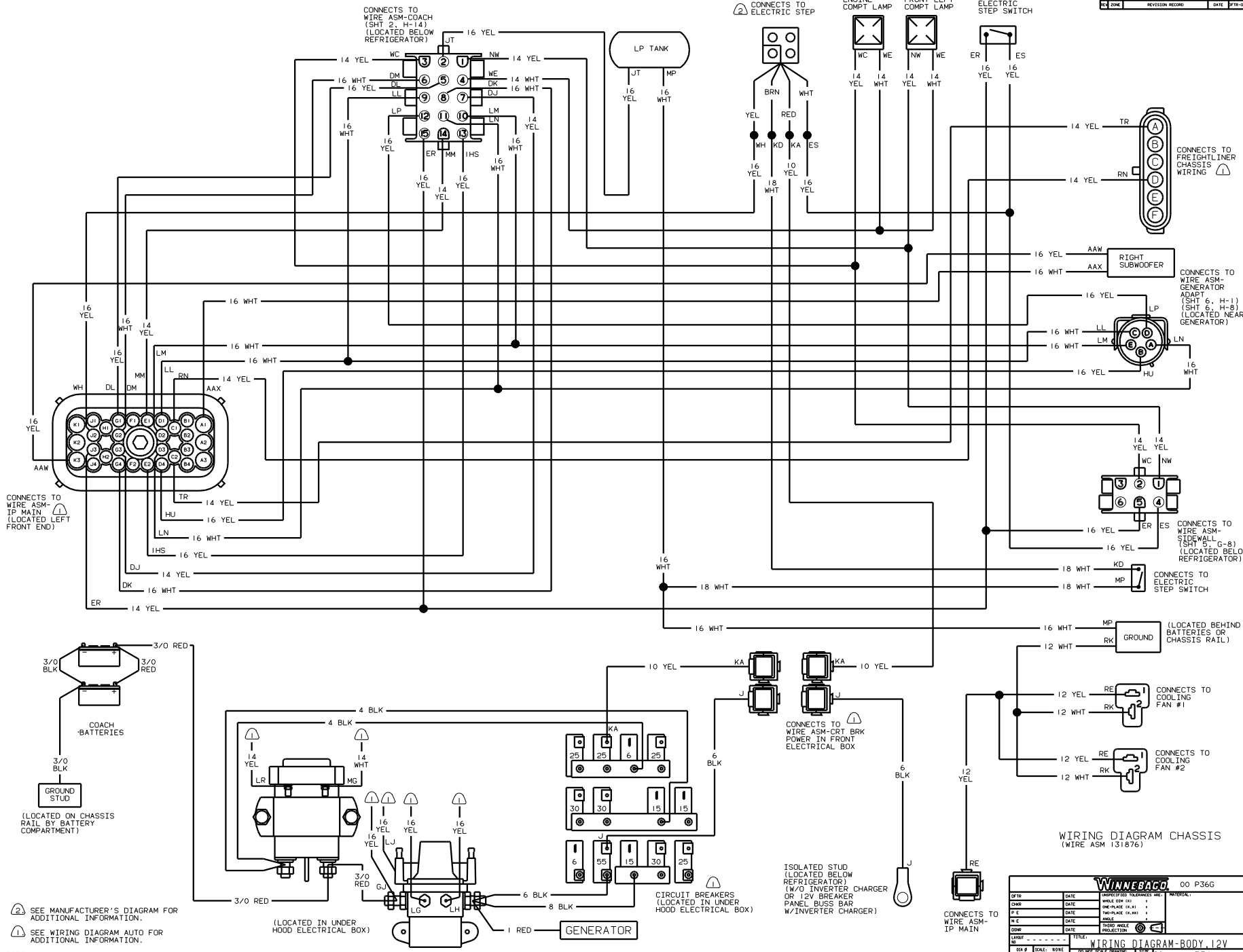
DANGER

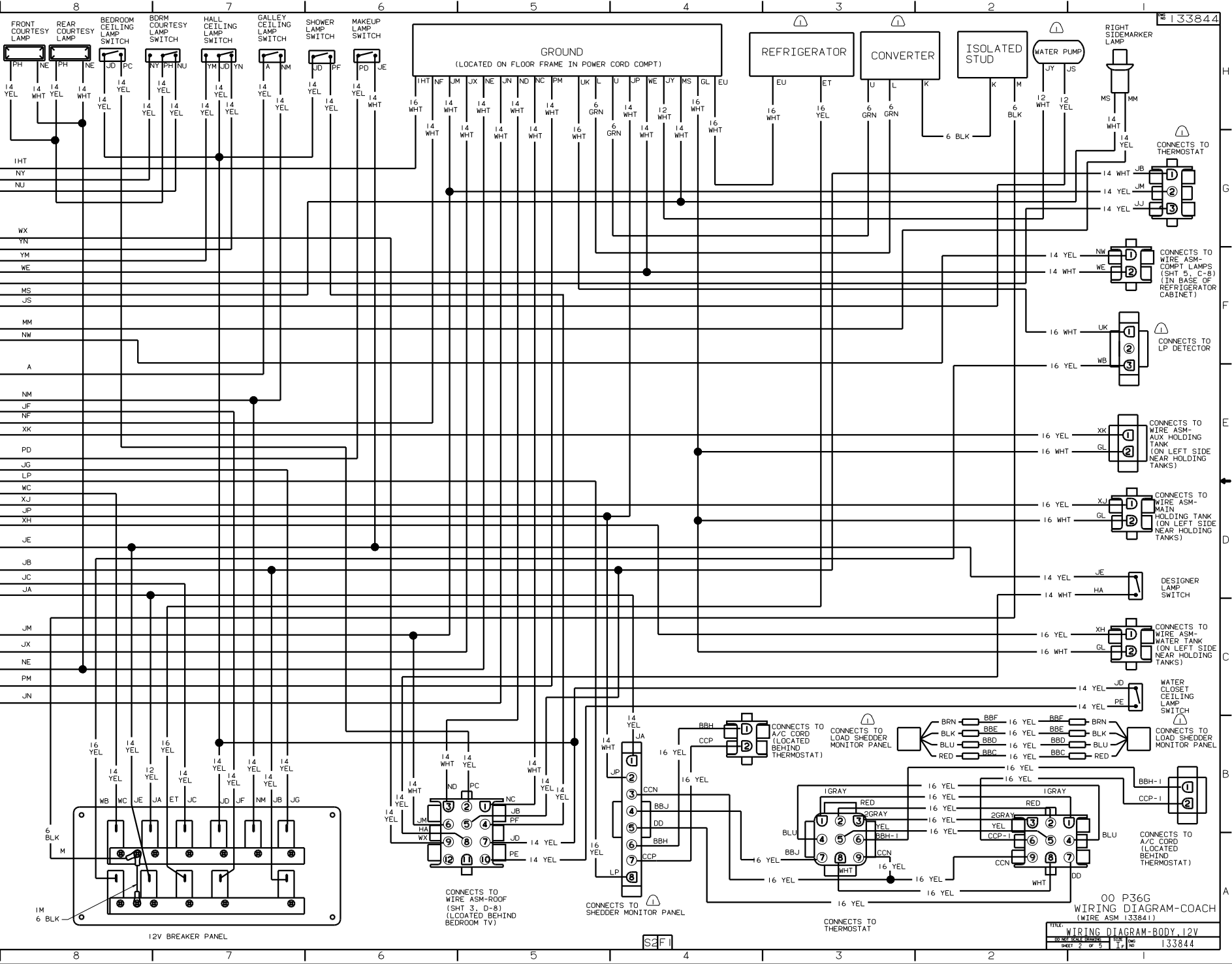
Danger of electrical shock, burns or death. Always remove all power sources before attempting any repair, service or diagnostic work. Power can be present from shore power, generator, inverter or battery. All power sources must be disabled and secured before performing any service.

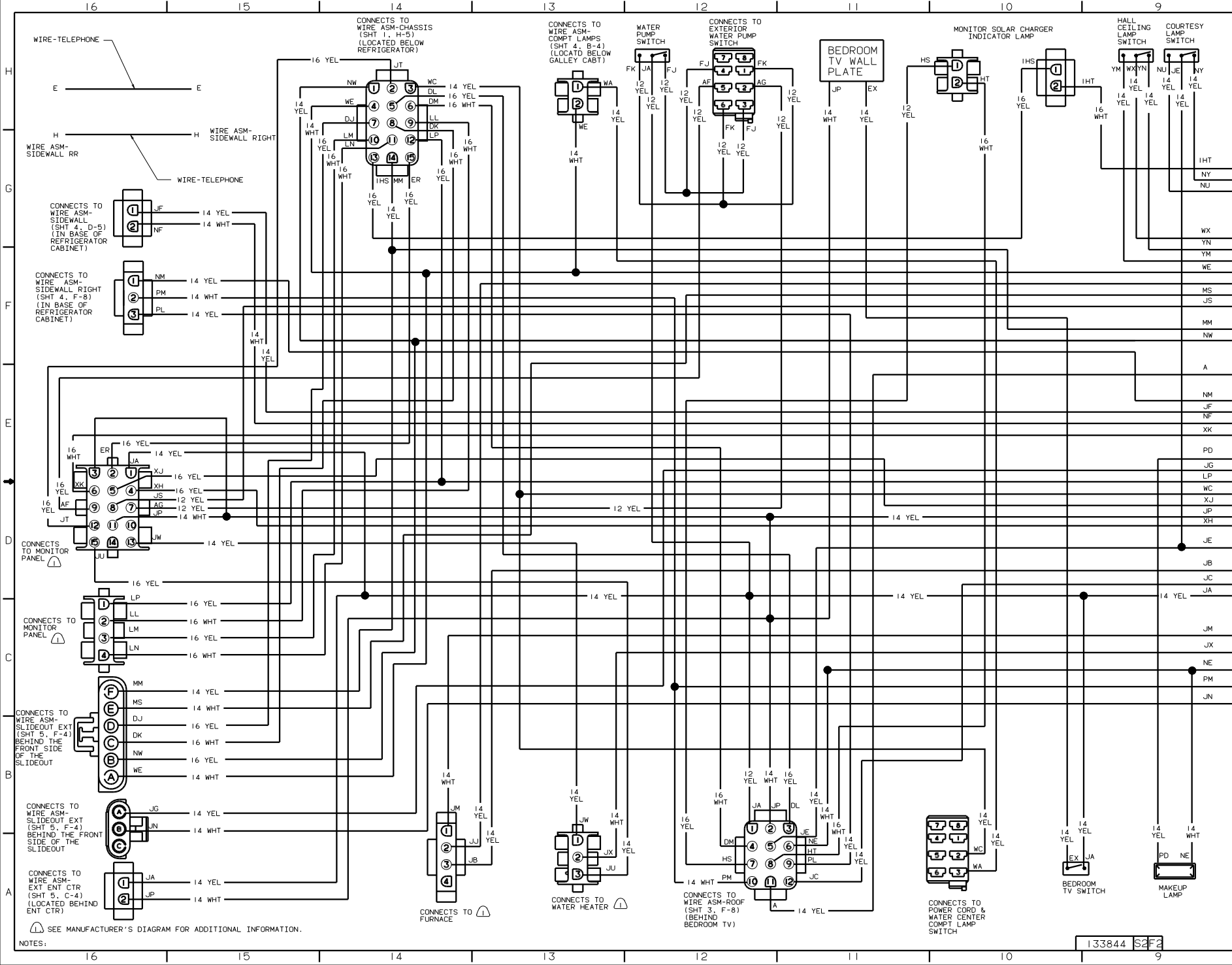


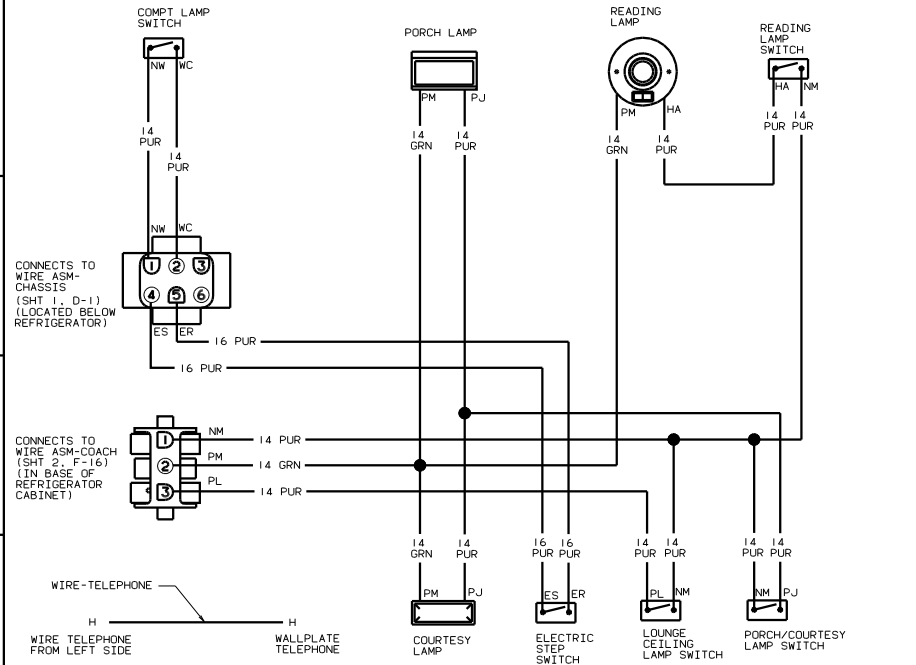
CAUTION

If you lack the skills, tools or equipment to perform diagnostic or repair work leave such work to an authorized Winnebago Industries dealer or other qualified shop.

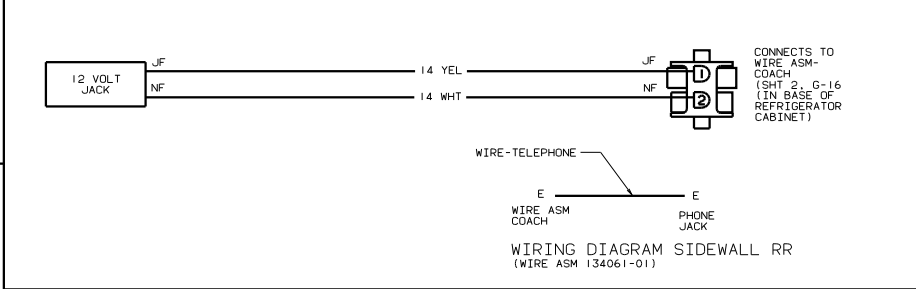




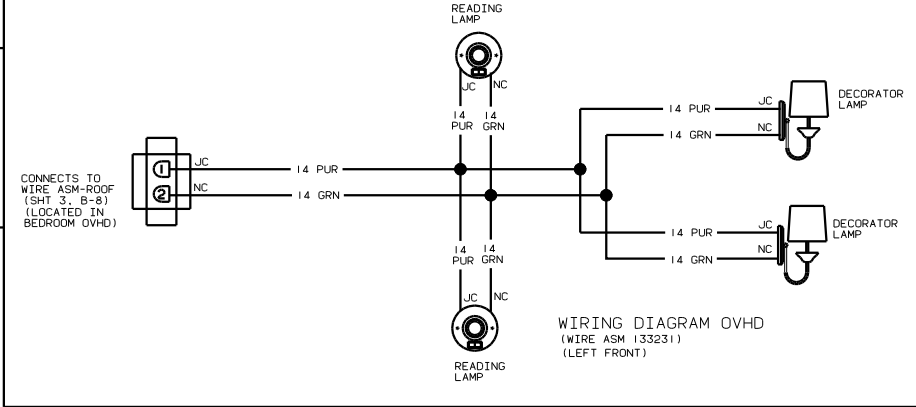




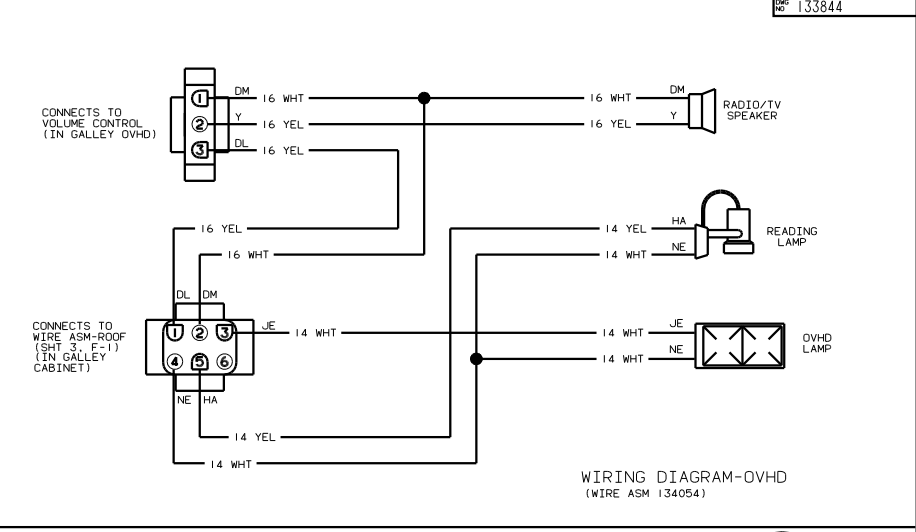
WIRING DIAGRAM SIDEWALL RIGHT (WIRE ASM 133124)



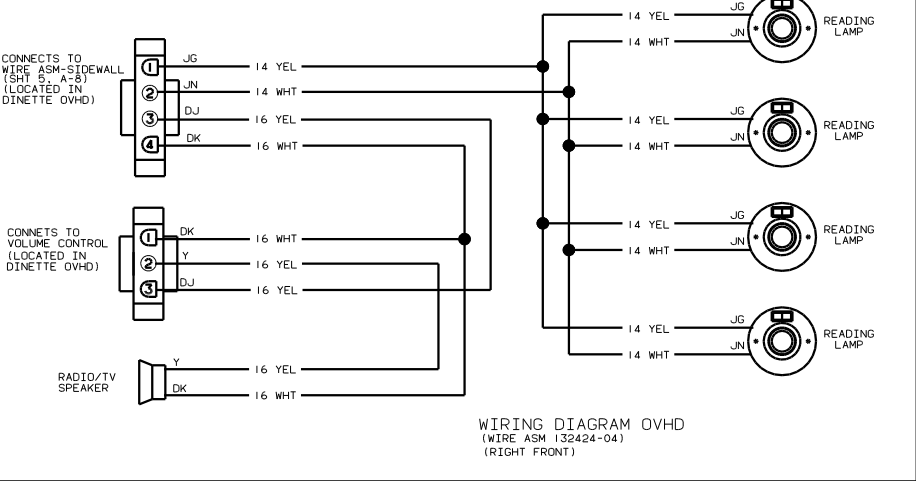
WIRING DIAGRAM SIDEWALL RR (WIRE ASM 134061-01)



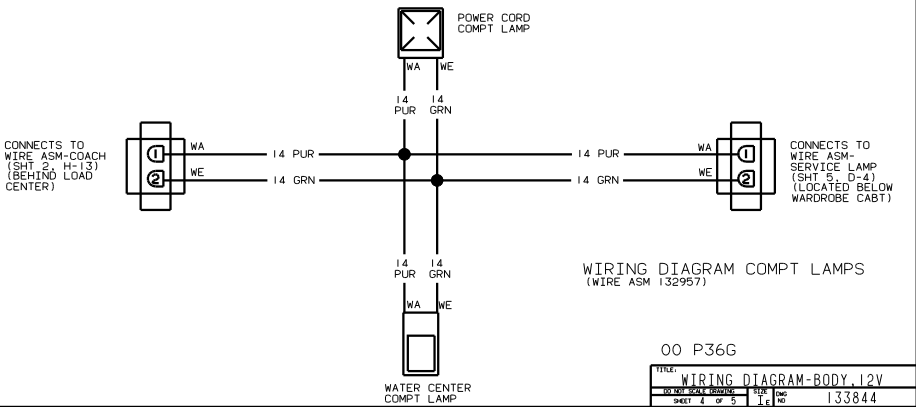
WIRING DIAGRAM OVHD (LEFT FRONT) (WIRE ASM 133231)



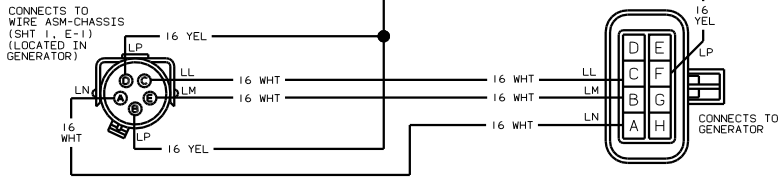
WIRING DIAGRAM-OVHD (WIRE ASM 134054)



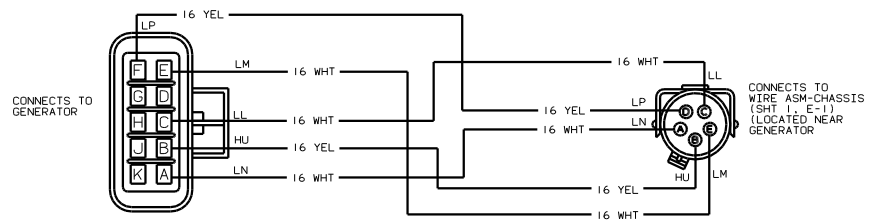
WIRING DIAGRAM OVHD (RIGHT FRONT) (WIRE ASM 132424-04)



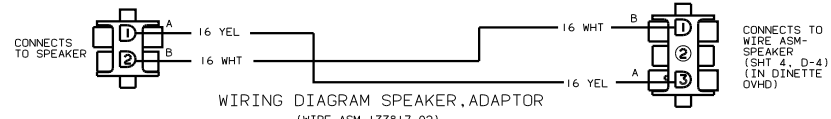
WIRING DIAGRAM COMPT LAMPS (WIRE ASM 132957)



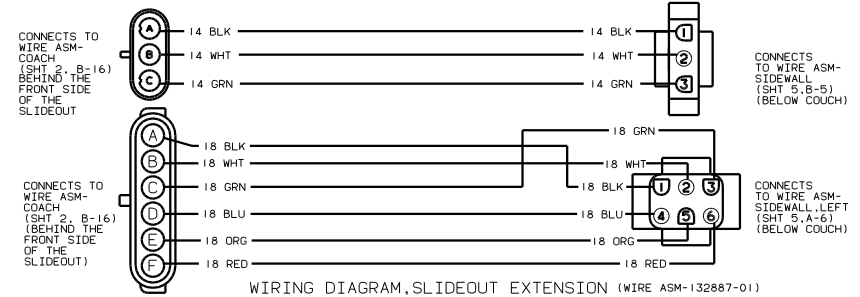
WIRING DIAGRAM GEN ADAPTER,LP
(WIRE ASM 130332-01)



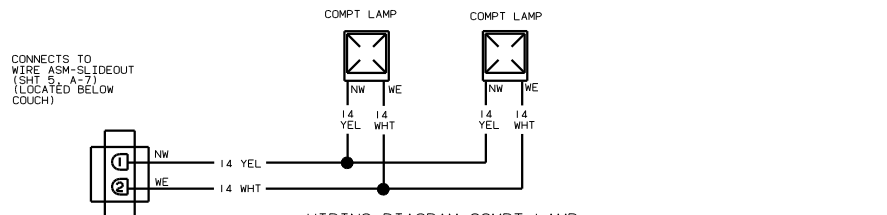
WIRING DIAGRAM ADAPTER,DIESEL
(WIRE ASM 130332-02)



WIRING DIAGRAM SPEAKER,ADAPTOR
(WIRE ASM-133817-02)



WIRING DIAGRAM,SLIDEOUT EXTENSION (WIRE ASM-132887-01)



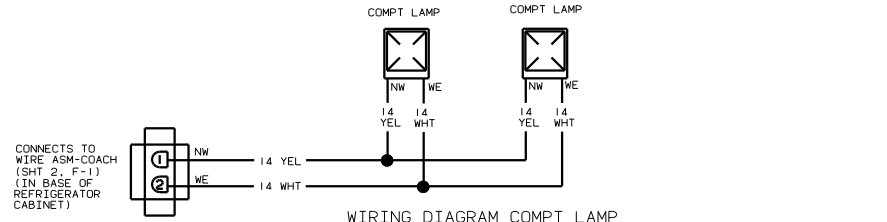
WIRING DIAGRAM COMPT LAMP
(WIRE ASM 125266-09)



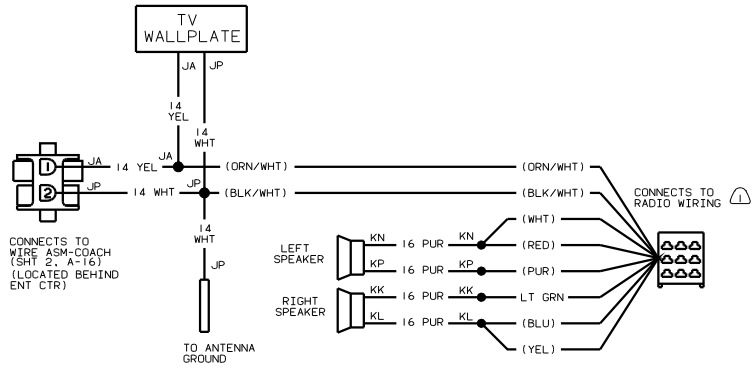
WIRING DIAGRAM SIDE MARKER LAMP
(WIRE ASM 133110)



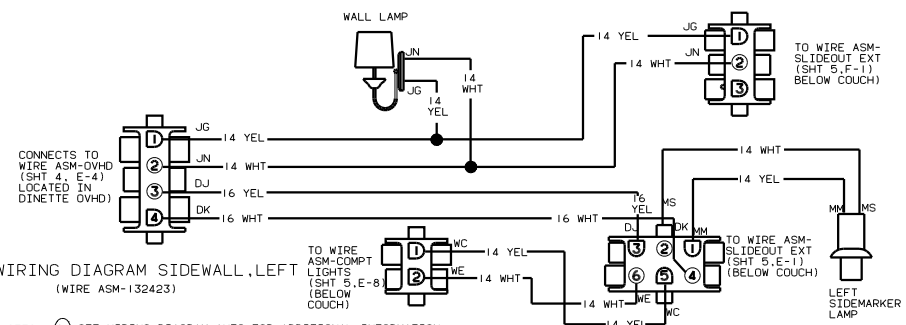
WIRING DIAGRAM SERVICE LAMP
(WIRE ASM 077093-12)



WIRING DIAGRAM COMPT LAMP
(WIRE ASM 125266-07)



WIRING DIAGRAM-EXT ENT CTR
(WIRE ASM 125853-01)
(WITH EXTERIOR ENTERTAINMENT CENTER)



WIRING DIAGRAM SIDEWALL,LEFT
(WIRE ASM-132423)

NOTES: SEE WIRING DIAGRAM AUTO FOR ADDITIONAL INFORMATION.