



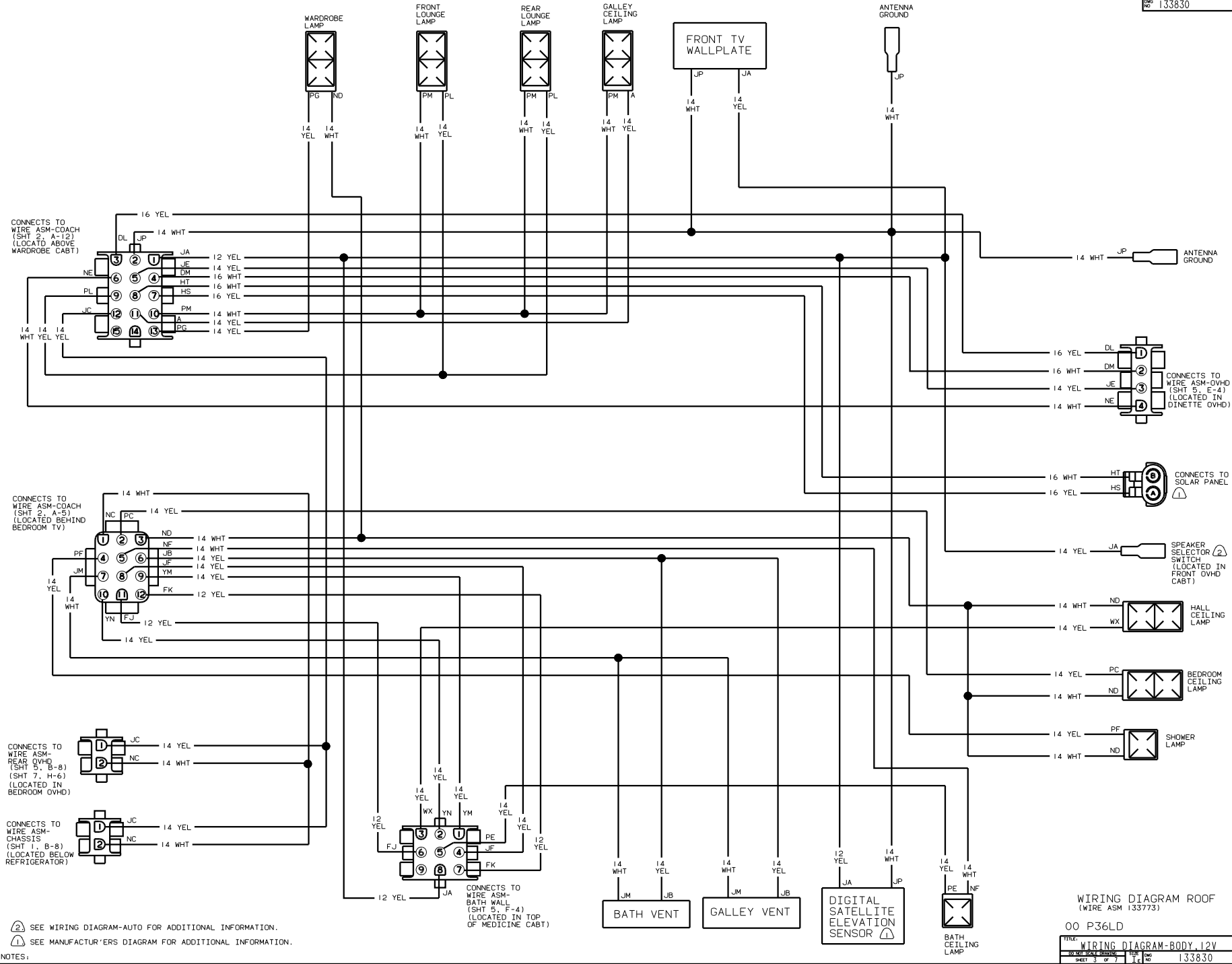
DANGER

Danger of electrical shock, burns or death. Always remove all power sources before attempting any repair, service or diagnostic work. Power can be present from shore power, generator, inverter or battery. All power sources must be disabled and secured before performing any service.



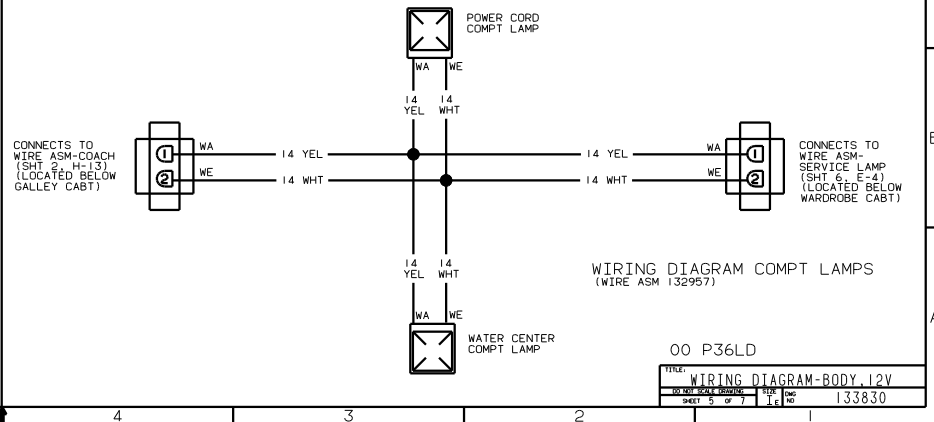
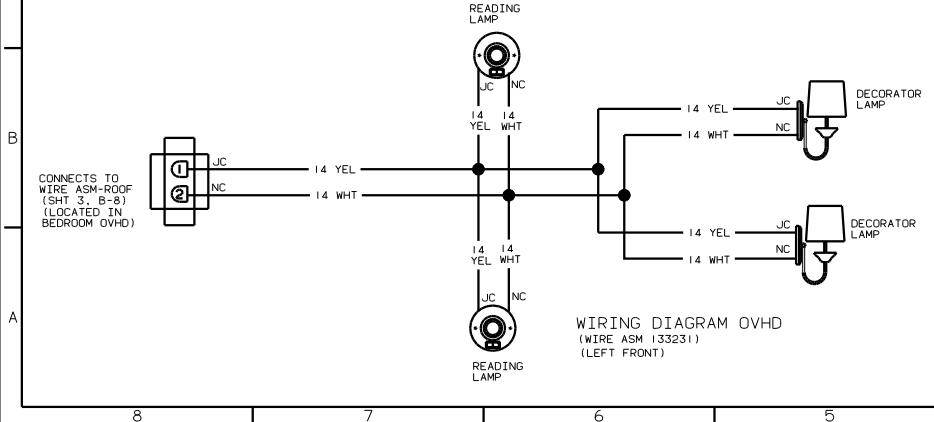
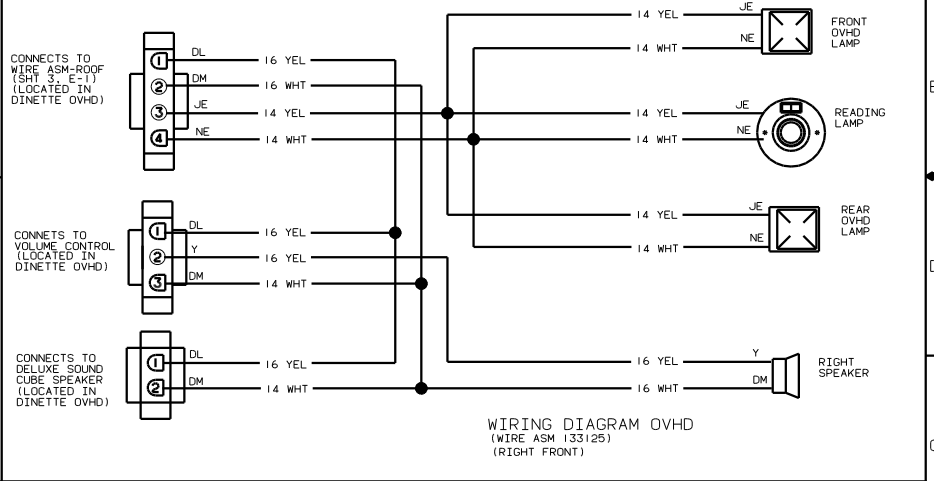
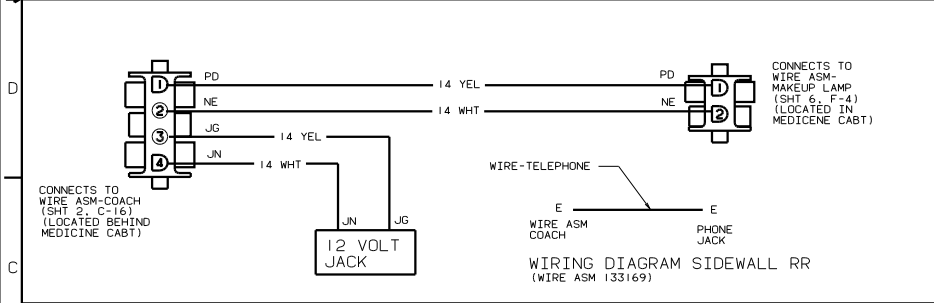
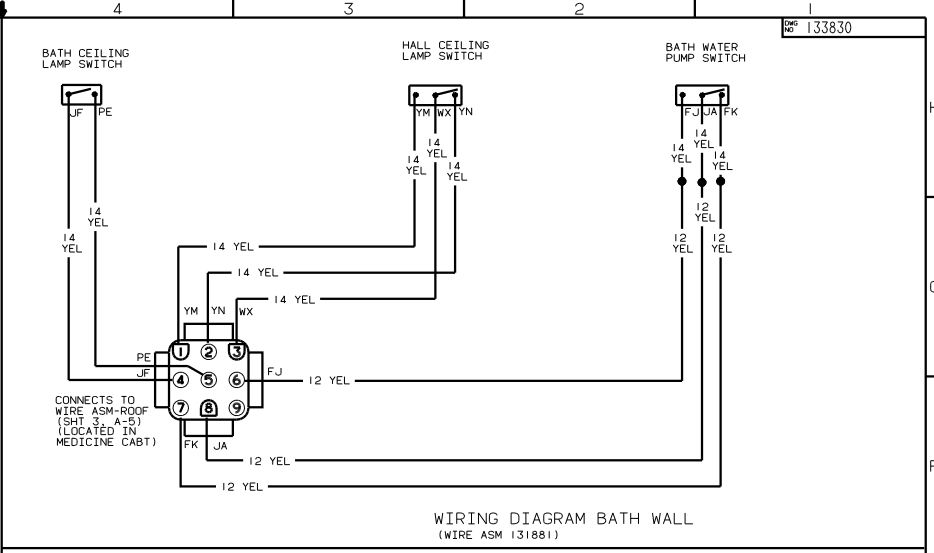
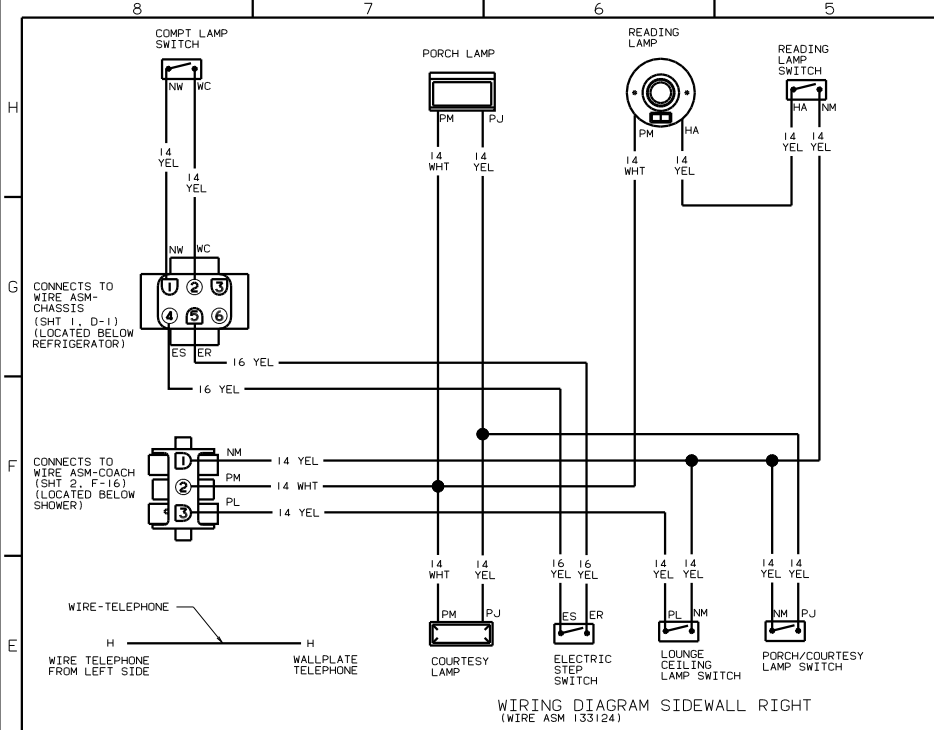
CAUTION

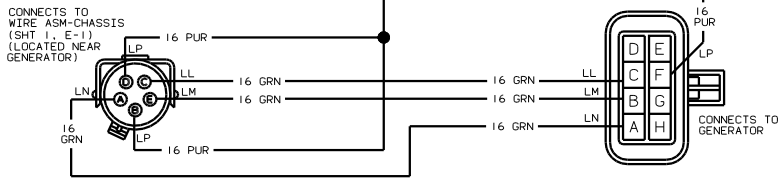
If you lack the skills, tools or equipment to perform diagnostic or repair work leave such work to an authorized Winnebago Industries dealer or other qualified shop.



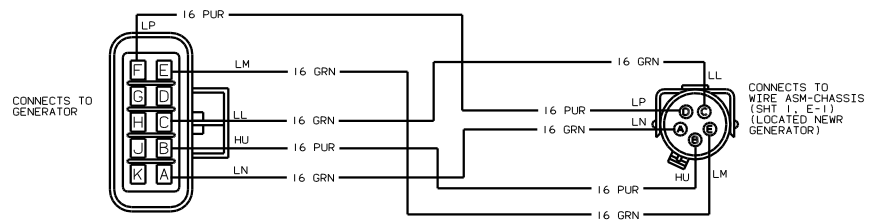
NOTES:
 (2) SEE WIRING DIAGRAM-AUTO FOR ADDITIONAL INFORMATION.
 (1) SEE MANUFACTURER'S DIAGRAM FOR ADDITIONAL INFORMATION.

WIRING DIAGRAM ROOF
 (WIRE ASM 133773)
 00 P36LD
 TITLE: WIRING DIAGRAM-BODY_12V
 30 DAY R&D DESIGN PER 1.6
 SHEET 3 OF 7 133830

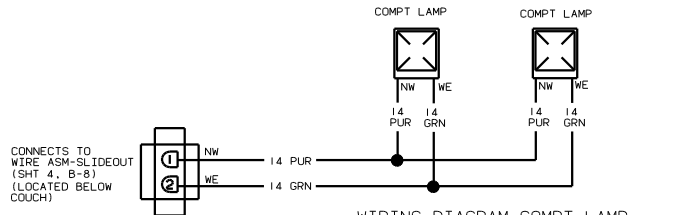




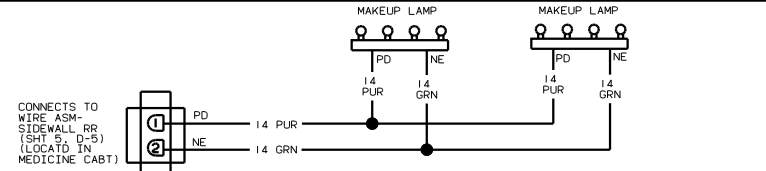
WIRING DIAGRAM GEN ADAPTER.LP
(WIRE ASM 130332-01)



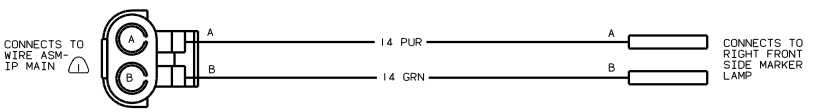
WIRING DIAGRAM ADAPTER.DIESEL
(WIRE ASM 130332-02)



WIRING DIAGRAM COMPT LAMP
(WIRE ASM 125266-09)



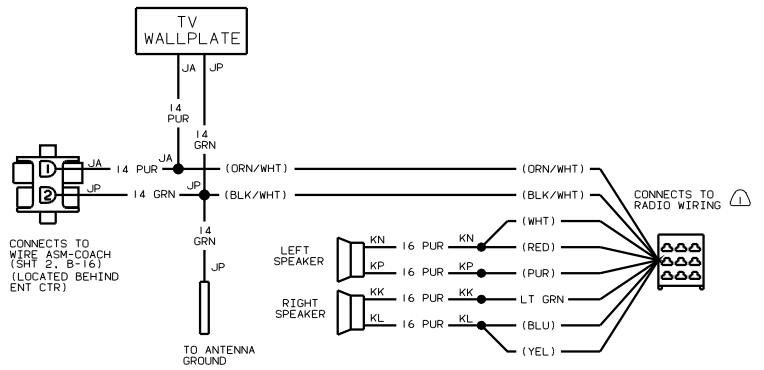
WIRING DIAGRAM MAKEUP LAMP
(WIRE ASM 125266-08)



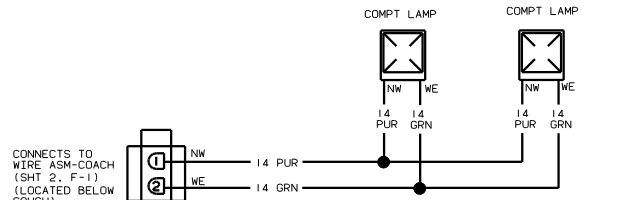
WIRING DIAGRAM SIDE MARKER LAMP
(WIRE ASM 133110)



WIRING DIAGRAM SERVICE LAMP
(WIRE ASM 077093-12)

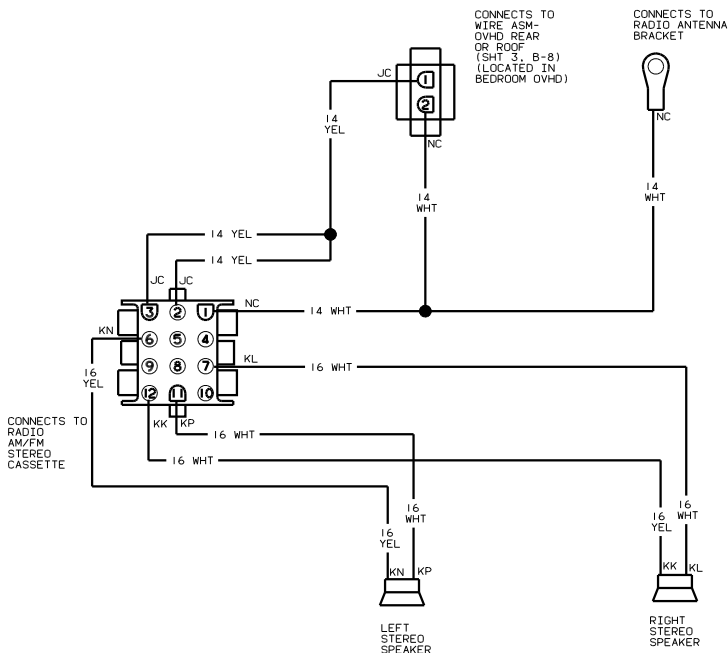


WIRING DIAGRAM-EXT ENT CTR
(WIRE ASM 125853-01)
(WITH EXTERIOR ENTERTAINMENT CENTER)

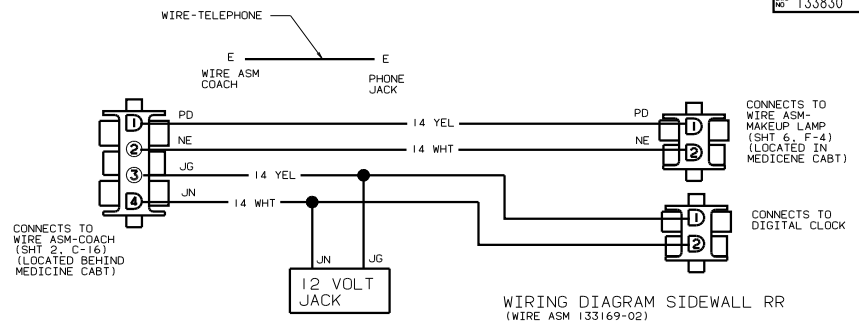


WIRING DIAGRAM COMPT LAMP
(WIRE ASM 125266-07)

SEE WIRING DIAGRAM AUTO FOR ADDITIONAL INFORMATION.



WIRING DIAGRAM REAR STEREO
(WIRE ASM 124336)



WIRING DIAGRAM SIDEWALL RR
(WIRE ASM 133169-02)