



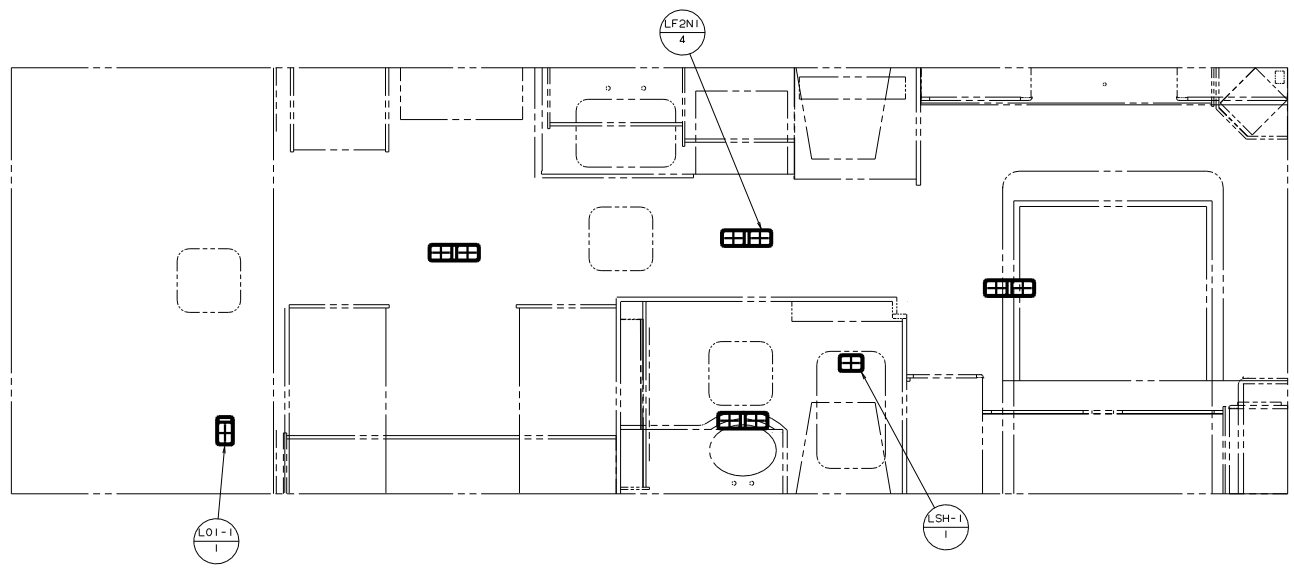
DANGER

Danger of electrical shock, burns or death. Always remove all power sources before attempting any repair, service or diagnostic work. Power can be present from shore power, generator, inverter or battery. All power sources must be disabled and secured before performing any service.



CAUTION

If you lack the skills, tools or equipment to perform diagnostic or repair work leave such work to an authorized Winnebago Industries dealer or other qualified shop.

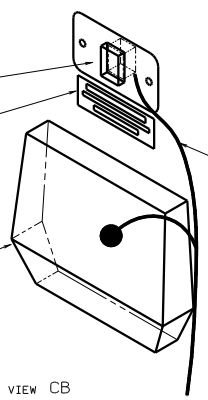


SWITCH-HEATER
89308-05-CHT
PLATE
98351-01-CHT
SPACER
95188-01-CHT
SCREW
G11-06-16J (2)
(SEE VIEW CD)

LABEL-SWITCH
134563-01-CHT

WIRE ASM-RIGHT
(REF)

MONITOR PANEL
(REF)

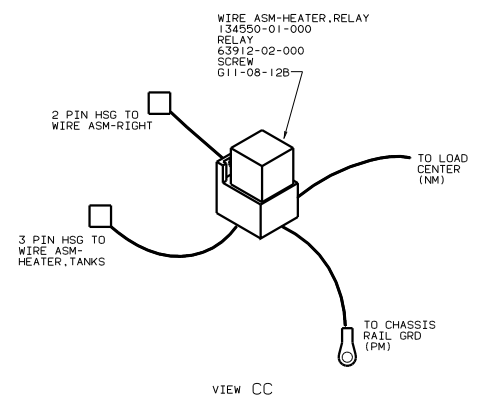
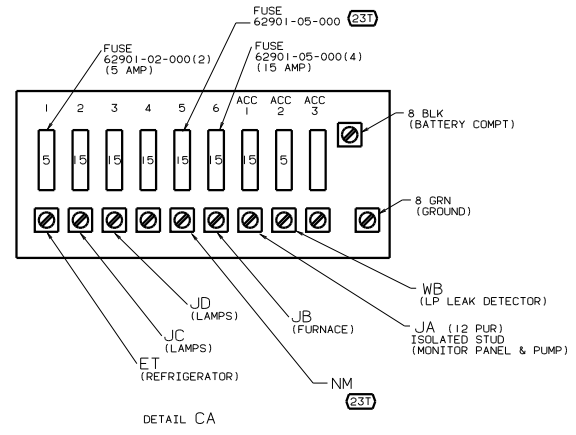


HEATER PAD SWITCH
89308-05-CHT

JA
HR
JP

WIRE ASM-RIGHT

VIEW CD



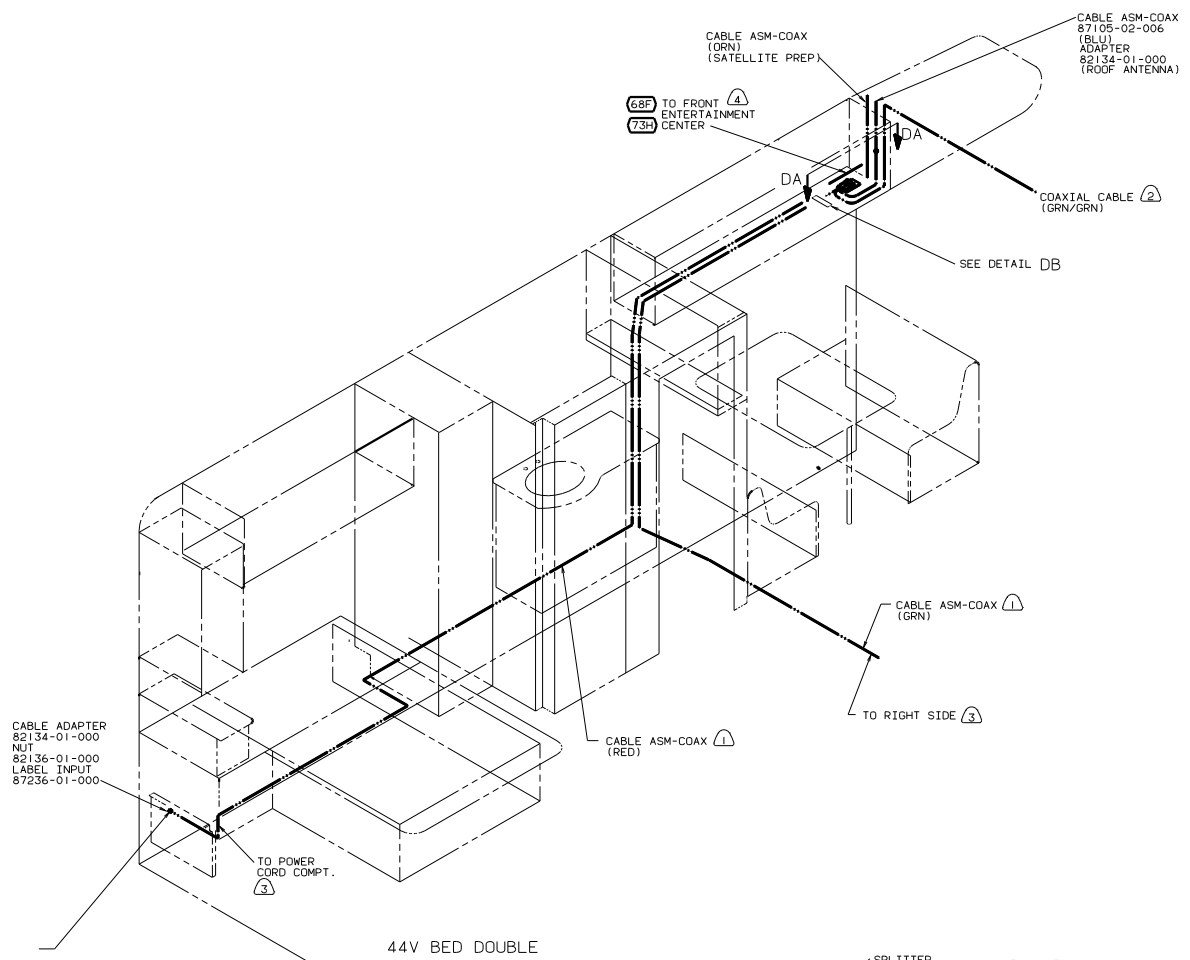
(231) HEATED HOLDING TANKS-PACKAGE
(265) CODES/STANDARDS-CSA/CMVSS
(1B1) CODES/STANDARDS USA

FOR ELECTRICAL TORQUE SPECIFICATIONS SEE DWG NO. 128783-01-000

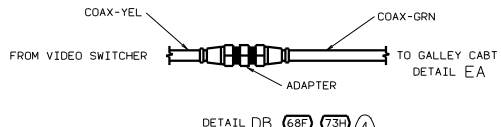
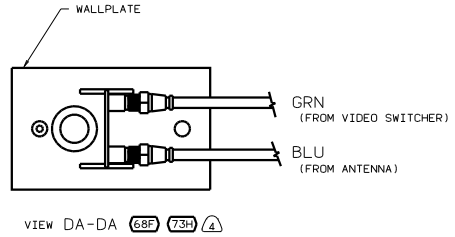
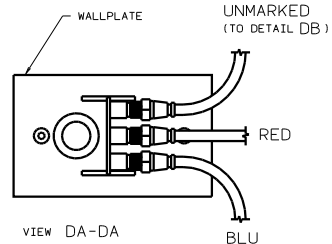
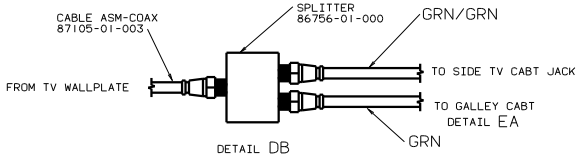
FOR ELECTRICAL CALLOUTS SEE DWG NO. 121339-01-000

00 327P (1B1) (265)

WIRING INSTL-BODY, 12V LAMPS
SHEET 3 OF 6



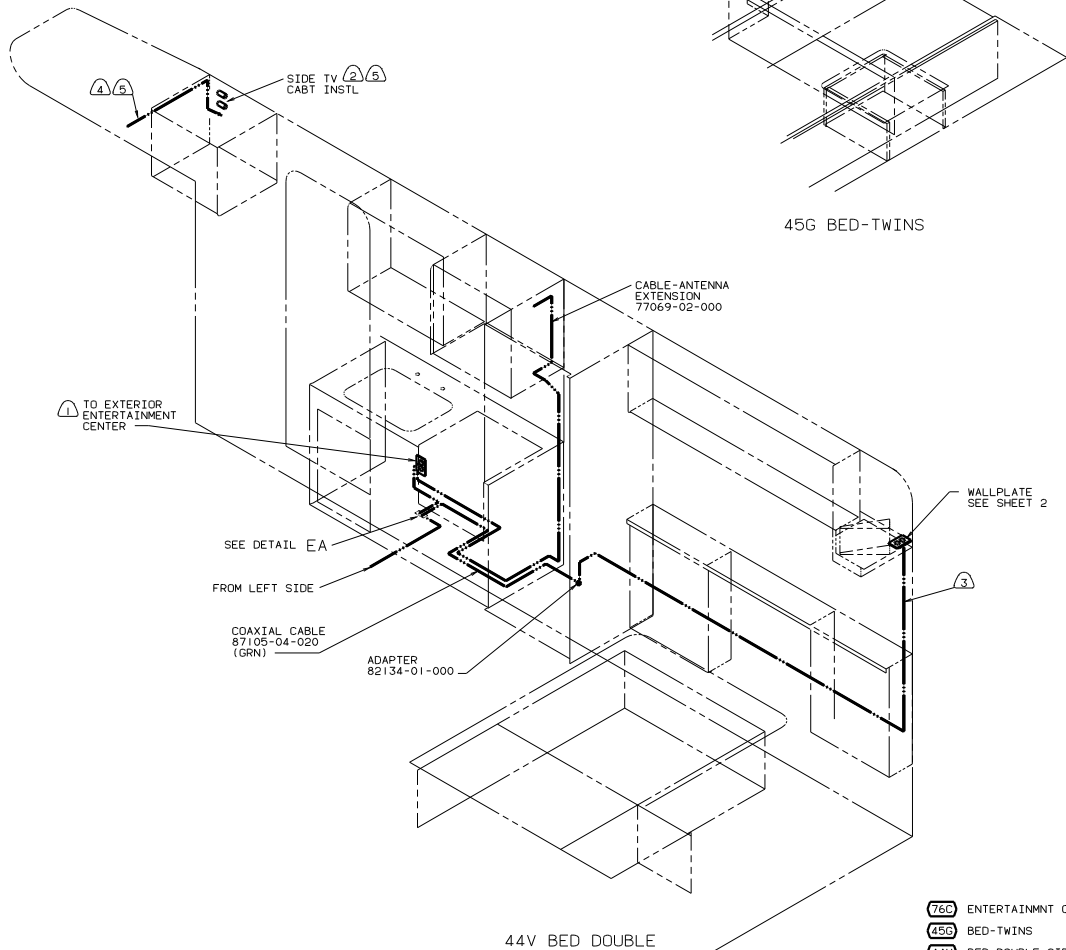
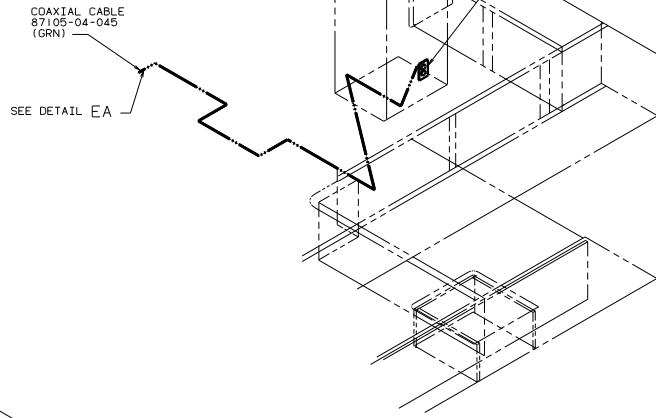
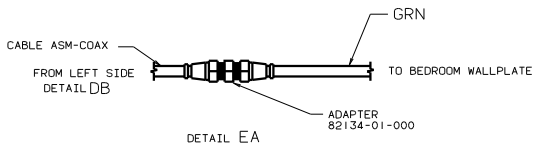
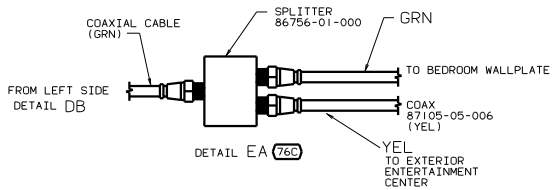
44V BED DOUBLE



- Ⓜ NOT USED WITH (68F) (73H)
- Ⓝ COAX IS ROUTED THROUGH ROOF.
- Ⓞ SEE WIRING INSTL-TV/VCR,FRONT FOR ADDITIONAL INFORMATION.
- Ⓟ ROUTE COAX THROUGH FLOOR.
- Ⓠ COAX IS AN INTEGRAL PART OF WIRE ASM-ROOF.
- Ⓡ COAX IS AN INTEGRAL PART OF WIRE ASM-LEFT.

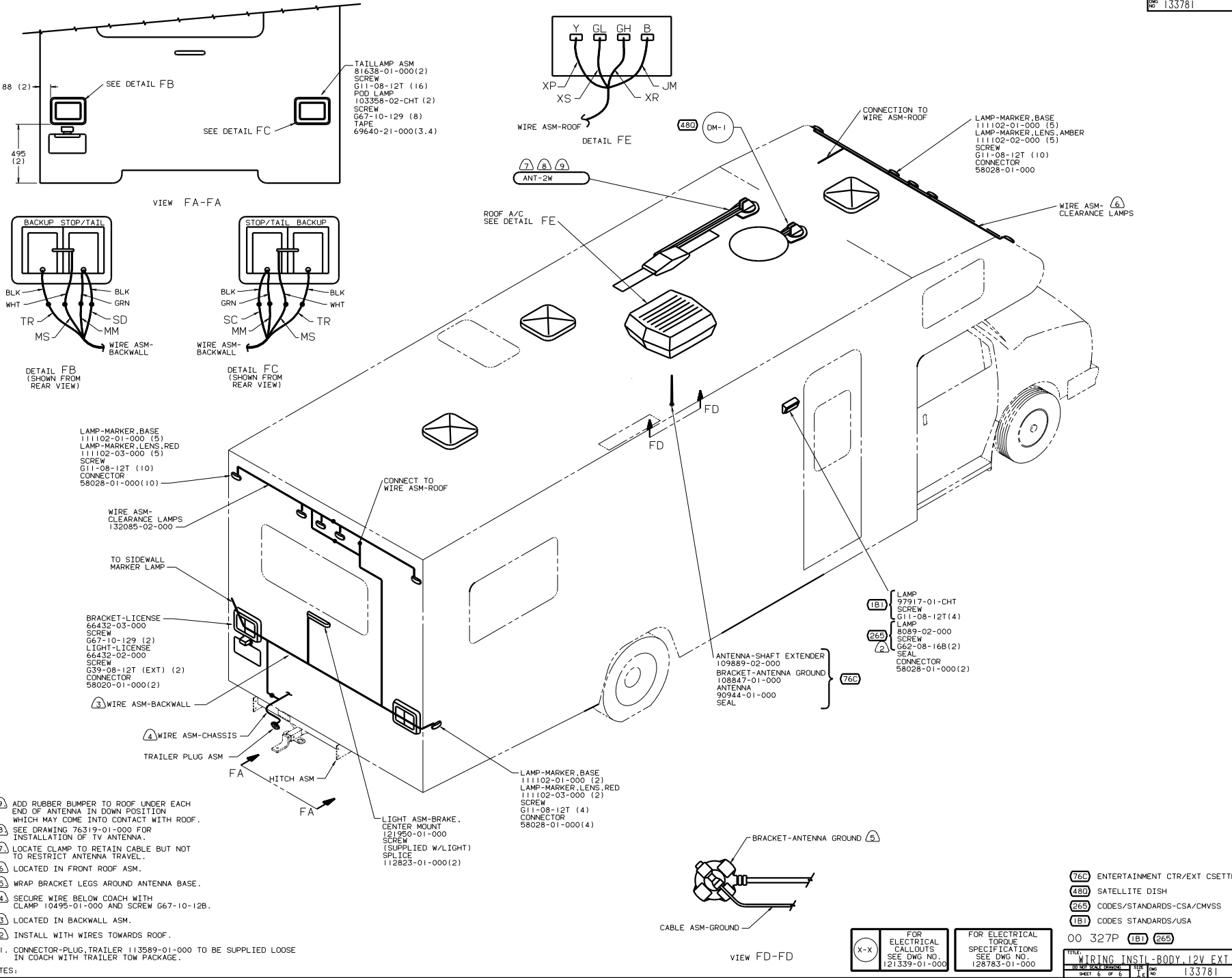
(44V)	BED-DOUBLE SIDEWALL
(265)	CODES/STANDARDS-CSA/CHVSS
(193)	TV ANTENNA
(1B1)	CODES/STANDARDS USA
00 327P	(1B1) (193) (265)
TITLE: WIRING INSTL-BODY,12V COAX-L SHEET 4 OF 6 FILE NO: 133781	

NOTES:



- NOTES:
- ⑤ NOT USED WITH (68F) (73H)
 - ④ COAX ROUTED IN ROOF.
 - ③ COAX ROUTED IN SIDEWALL.
 - ② SEE WIRING INSTL-TV/VCR SIDE FOR ADDITIONAL INFORMATION.
 - ① SEE ENTERTAINMENT CENTER-COMPL ADDITIONAL INFORMATION.

- (76C) ENTERTAINMENT CTR/EXT CASSETTE
- (45G) BED-TWINS
- (44V) BED-DOUBLE SIDEWALL
- (265) CODES/STANDARDS-CSA/CMVSS
- (193) TV ANTENNA
- (1B1) CODES/STANDARDS USA



- 9. ADD RUBBER BUMPER TO ROOF UNDER EACH END OF ANTENNA IN DOWN POSITION WHICH MAY COME INTO CONTACT WITH ROOF.
 - 8. SEE DRAWING 76319-01-000 FOR INSTALLATION OF TV ANTENNA.
 - 7. LOCATE CLAMP TO RETAIN CABLE BUT NOT TO RESTRICT ANTENNA TRAVEL.
 - 6. LOCATED IN FRONT ROOF ASM.
 - 5. WRAP BRACKET LEGS AROUND ANTENNA BASE.
 - 4. SECURE WIRE BELOW COACH WITH CLAMP 10495-01-000 AND SCREW G67-10-12B.
 - 3. LOCATED IN BACKWALL ASM.
 - 2. INSTALL WITH WIRES TOWARDS ROOF.
1. CONNECTOR-PLUG, TRAILER 113589-01-000 TO BE SUPPLIED LOOSE IN COACH WITH TRAILER TOW PACKAGE.

NOTES:

X-X
FOR ELECTRICAL CALLOUTS SEE DWG NO. 121339-01-000

FOR ELECTRICAL TORQUE SPECIFICATIONS SEE DWG NO. 128783-01-000

76E ENTERTAINMENT CTR/EXT CSETTE
 48D SATELLITE DISH
 265 CODES/STANDARDS-CSA/CWVSS
 1B1 CODES STANDARDS/USA

00 327P 1B1 265

TITLE: WIRING INSTL-BODY,12V EXT
 SHEET 6 OF 6