



DANGER

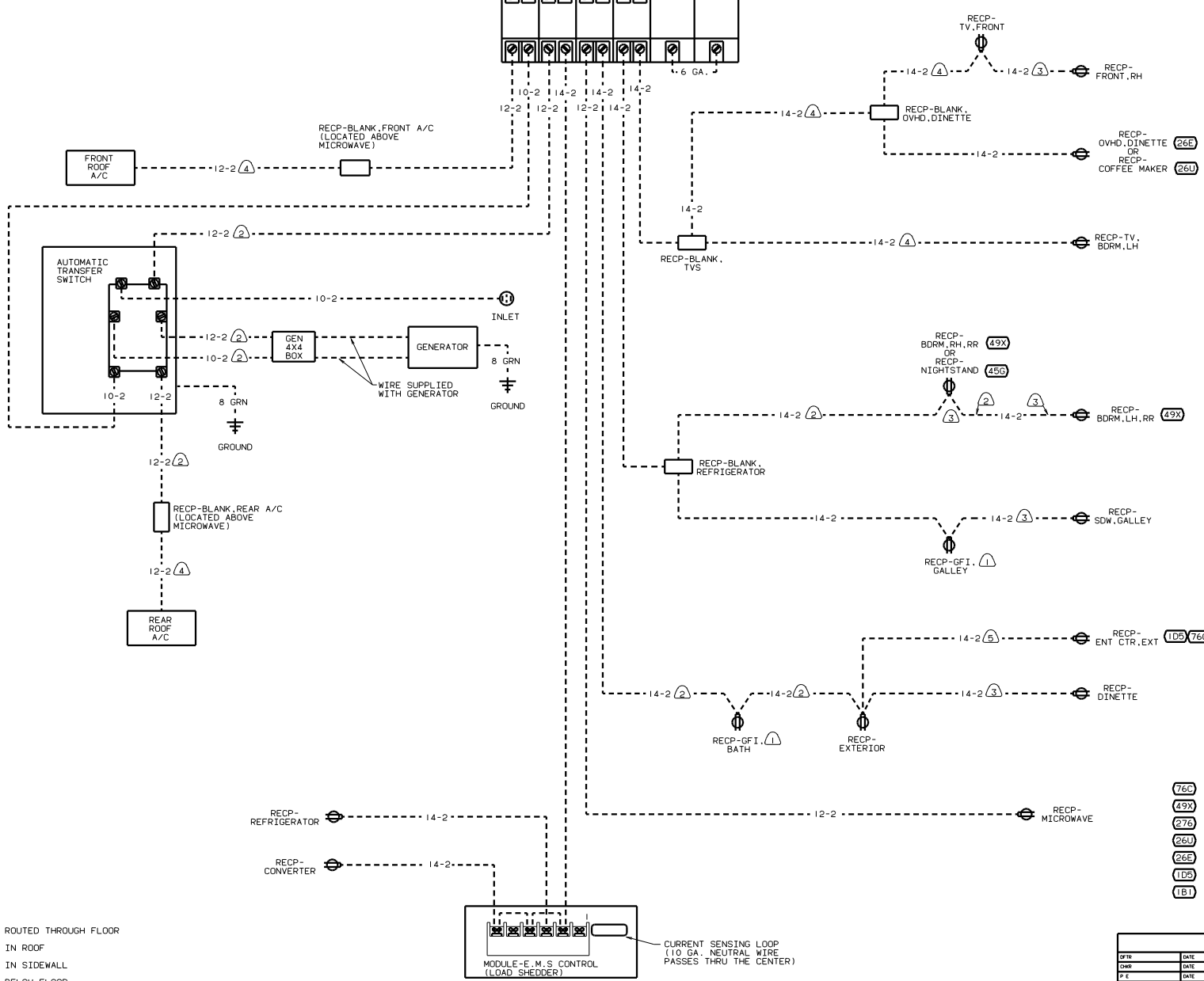
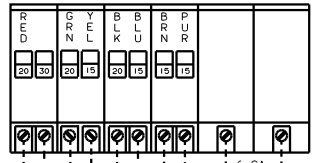
Danger of electrical shock, burns or death. Always remove all power sources before attempting any repair, service or diagnostic work. Power can be present from shore power, generator, inverter or battery. All power sources must be disabled and secured before performing any service.



CAUTION

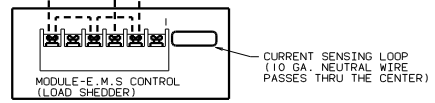
If you lack the skills, tools or equipment to perform diagnostic or repair work leave such work to an authorized Winnebago Industries dealer or other qualified shop.

LOAD CENTER



- (5) WIRE ROUTED THROUGH FLOOR
- (4) WIRE IN ROOF
- (3) WIRE IN SIDEWALL
- (2) WIRE BELOW FLOOR
- (1) ALL OUTLETS DOWN STREAM AND INCLUDING THIS OUTLET ARE GROUND FAULT CIRCUIT INTERRUPT PROTECTED.

- (76C) ENTERTAINMENT CTR/EXT CASSETTE
- (49X) BED-QUEEN - BACKWALL
- (276) A/C ROOF-HI EFF (2) W/EMS
- (26U) COFFEE MAKER
- (26E) COFFEE MAKER-WITHOUT
- (1D5) ENTERTAINMENT CENTR/EXT W/CD
- (1B1) CODES/STANDARDS USA

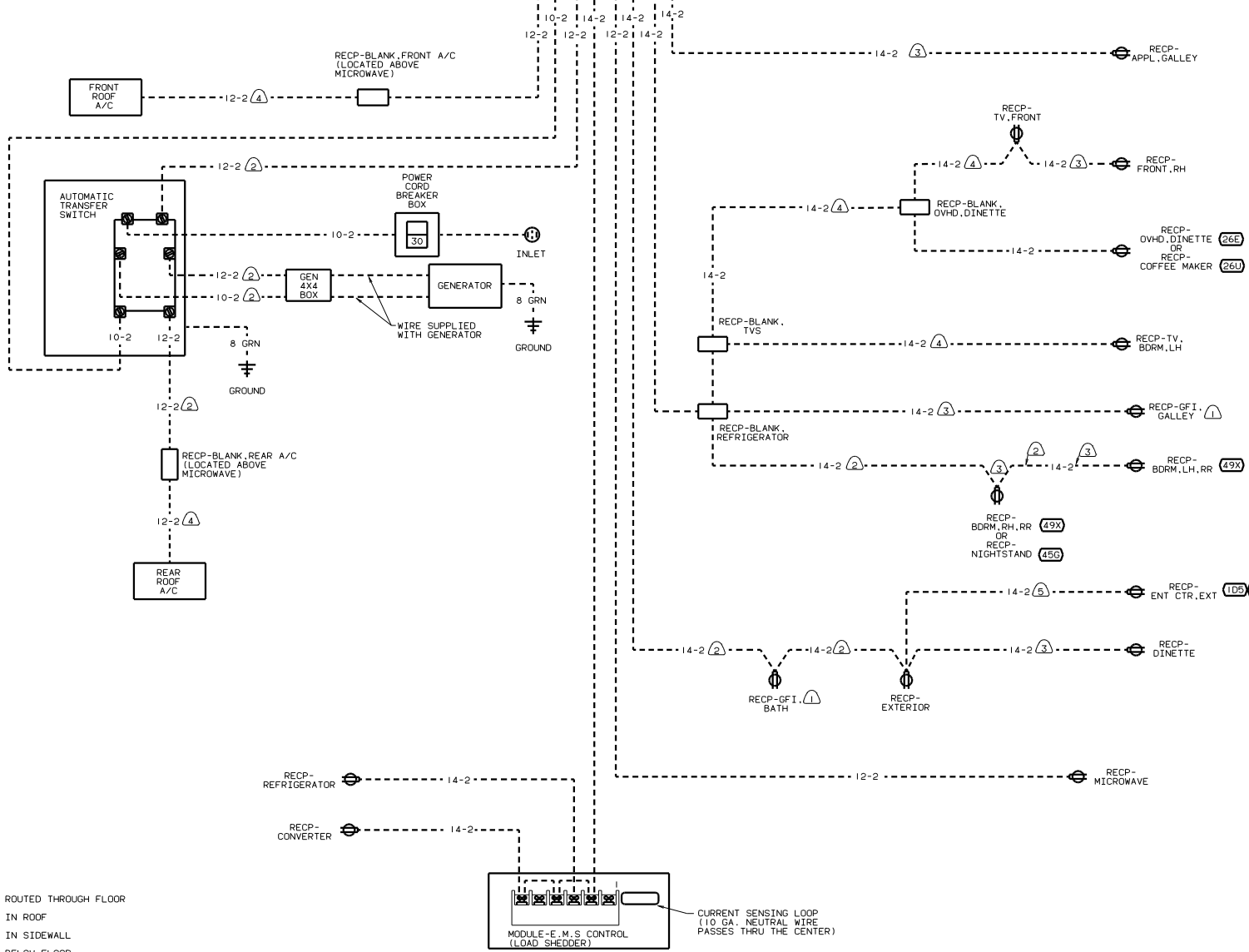
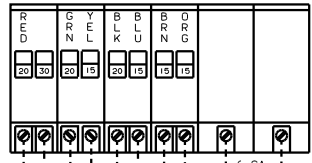


WINNEBAGO 00 F32T

DATE	UNDESIGNED TOLERANCES ARE:	MATERIAL
DATE	WHOLE OR 1/2"	
DATE	ONE-PLATE (1/8")	
DATE	TWO-PLATE (1/8")	
DATE	ANGLE	
DATE	TRUSS W/ANGLE PROTECTOR	

LANE # _____ TITLE: WIRING DIAGRAM-BODY 110V
 DIA # _____ SCALE: NONE TO THE SCALE SHOWN FILE NO: 133758
 ALL DIMENSIONS ARE IN MILLIMETERS SHEET 1 OF 3

LOAD CENTER



- ⑤ WIRE ROUTED THROUGH FLOOR
- ④ WIRE IN ROOF
- ③ WIRE IN SIDEWALL
- ② WIRE BELOW FLOOR

① ALL OUTLETS DOWN STREAM AND INCLUDING THIS OUTLET ARE GROUND FAULT CIRCUIT INTERRUPT PROTECTED.

- ⑦⑥C ENTERTAINMNT CTR/EXT CASSETTE
- ④⑨X BED-QUEEN - BACKWALL
- ④⑤⑥ BED-TWINS
- ②⑦⑥ A/C ROOF-HI EFF (2) W/EMS
- ②⑥⑤ CODES/STANDARDS-CSA/CMVSS
- ②⑥① COFFEE MAKER
- ②⑥② COFFEE MAKER-WITHOUT
- ①②⑤ ENTERTAINMENT CTR/EXT W/CD

